

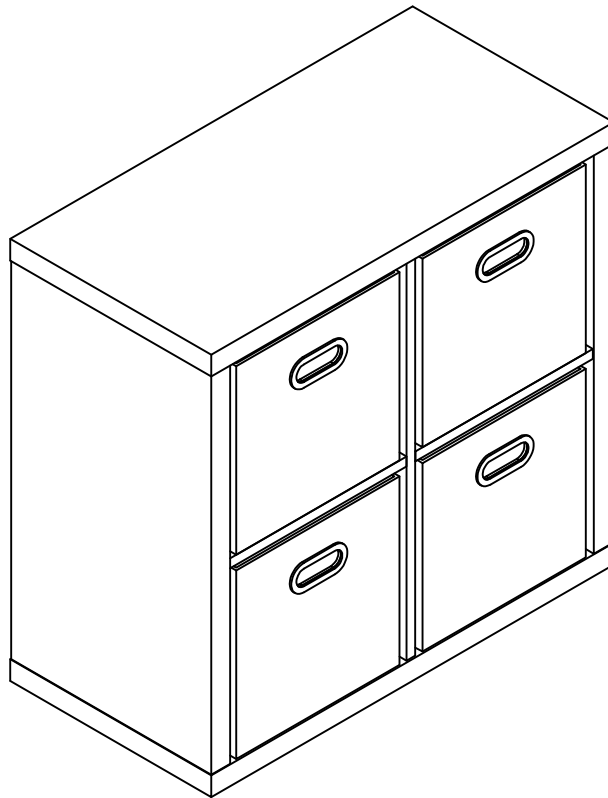
# Assembly instructions & User's Manual

## Assembly Instructions & User's Manual for 4 Cube Room Organizer

Model Number: GSB230816

Customer Assistance (spare/replacement parts): 888-508-5980

or Email: [sales@uniquecreation.us](mailto:sales@uniquecreation.us)



### Before Assembly

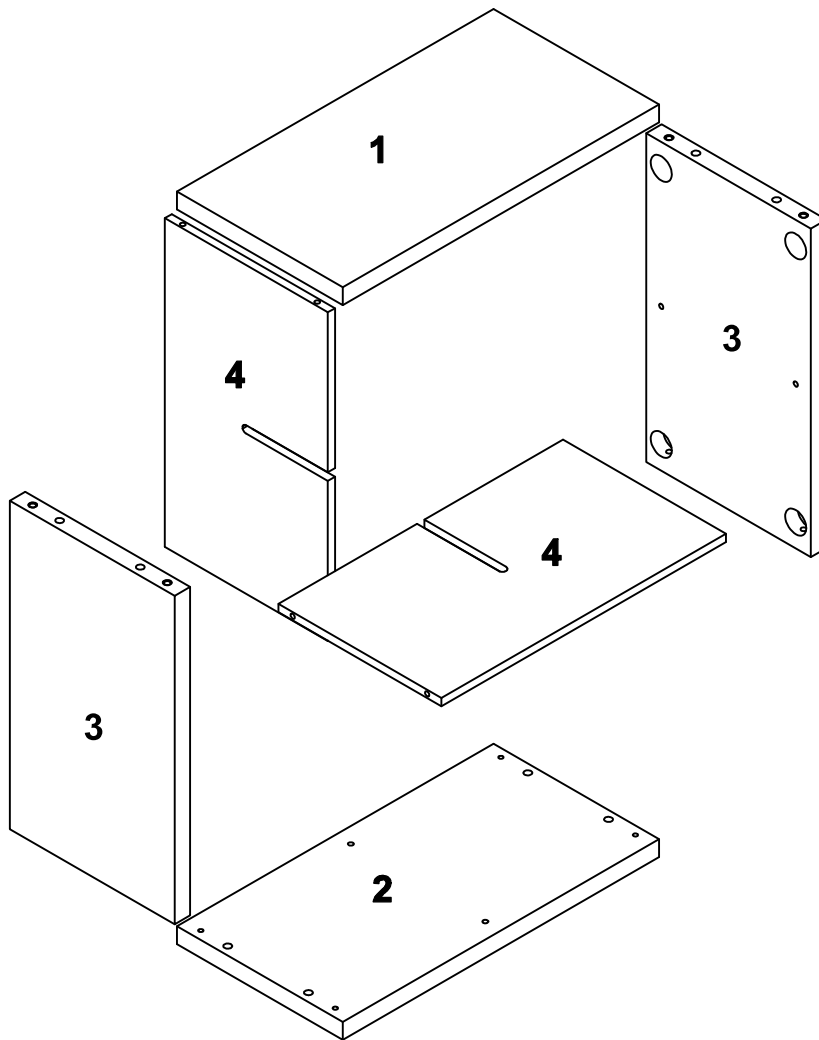
Remove all components, hardware and tools from the box. Inventory and separate each of the hardware and components included. To report information regarding damaged or missing parts or if you have any questions, please call 1-800-123-4567. Please read all instructions carefully before assembling this product.

**THIS ASSEMBLY MANUAL CONTAINS IMPORTANT SAFETY INFORMATION.  
PLEASE READ AND KEEP FOR FUTURE REFERENCE.**

Please consider recycling all applicable packaging material.

# Assembly instructions & User's Manual

## Package Contents



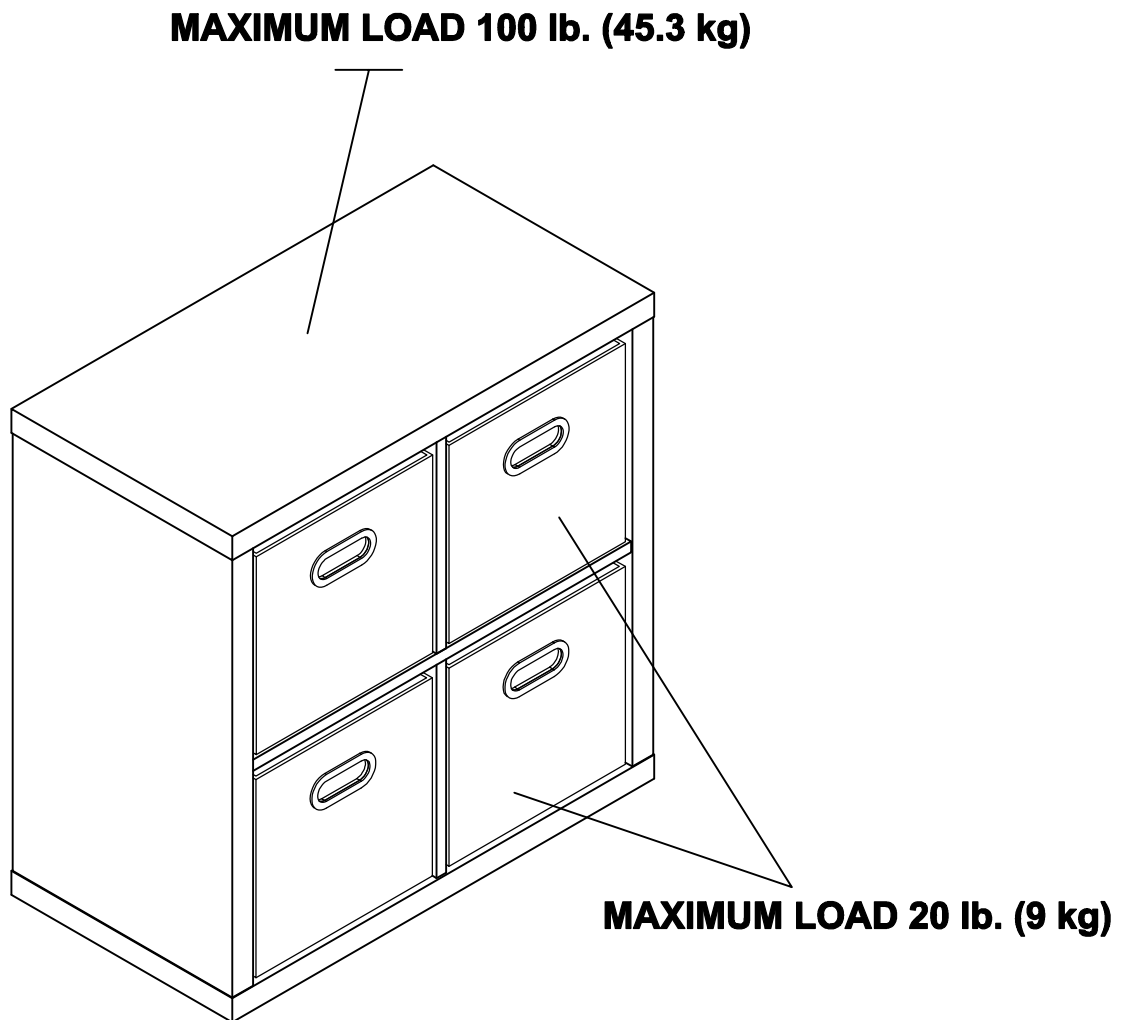
Component	Description	Quantity
1	Top Panel	1
2	Under Panel	1
3	Side Panel	2
4	Center Panel & Shelf	2

## Product Information

Cube Organizer 29.646" × 15.5" × 29.567" (75.30 cm × 39.40 cm × 75.10 cm)

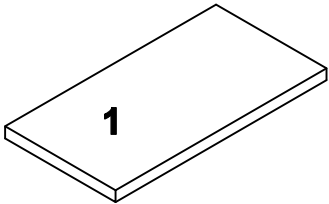
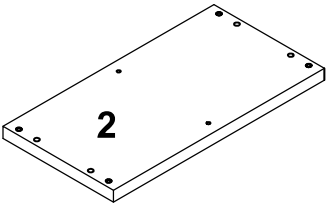
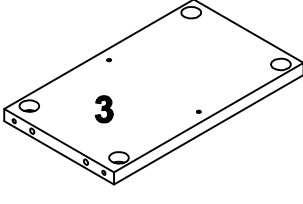
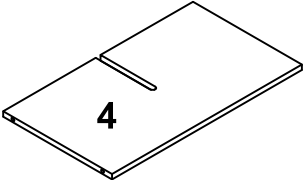
# Assembly instructions & User's Manual

**MAXIMUM LOAD:**




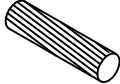
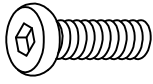






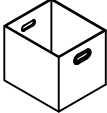
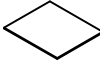
# Assembly instructions & User's Manual

## Components

Component: Top Panel Part No. 1 Qty 1	Component: Under panel Part No. 2 Qty 1	Component: Center Panel & shelf Part No. 3 Qty 2
		
Component: Center Panel & shelf Part No. 4 Qty 2		
		

# Assembly instructions & User's Manual



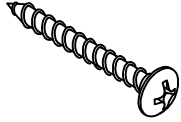

## Hardware

Small Wood Dowel Part No. (A) Qty: 8+1		Large Wood Dowel Part No. (B) Qty: 8+1		Bolt Part No. (C) Qty: 8+1	
Spring Washer Part No. (D) Qty: 8+1		Crescent Washer Part No. (E) Qty: 8		Sticker PVC Part No. (F) Qty: 6+1	
Plastic Cap Part No. (G) Qty: 4+1		Large Plastic Cap Part No. (H) Qty: 8		Hex Wrench Part No. (I) Qty: 1	
Cloth Basket Qty: 4		Basket Bottom Panel Qty: 4			

## Tools

Hex Wrench (Included) Part No. (I)		
		

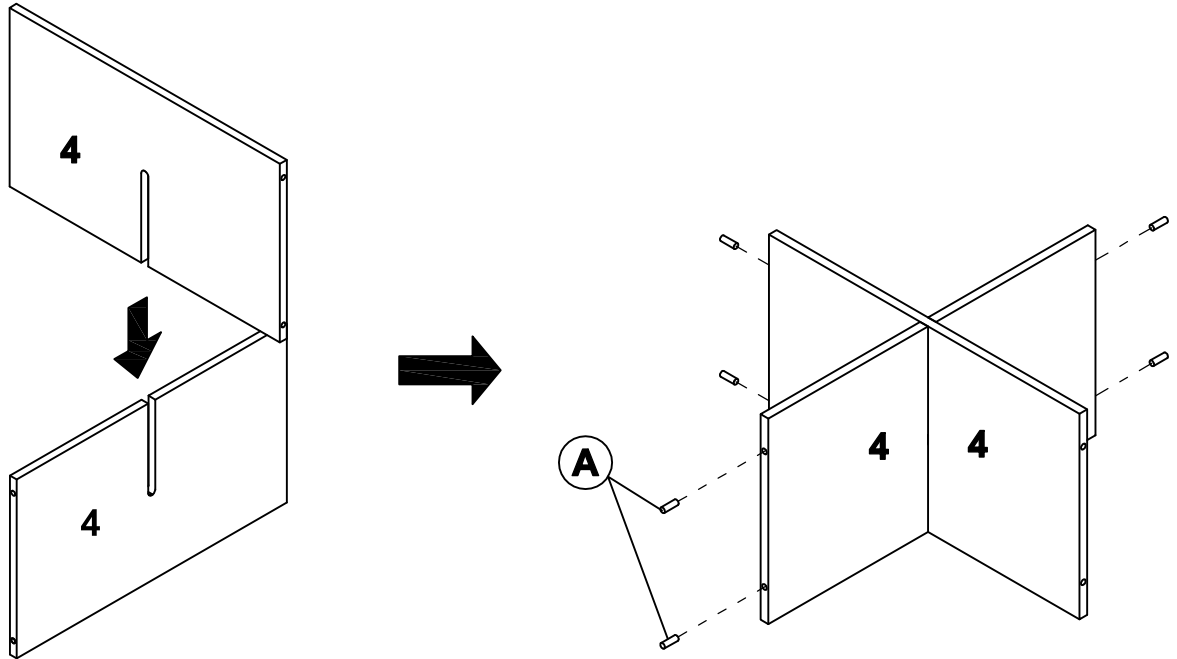
## Anti-Tip Hardware

Bracket Qty 2		Anti-Tip Cable Qty 1		Long Screw Qty 1	
Short Screw Qty 1					

# Assembly instructions & User's Manual

## Step 1

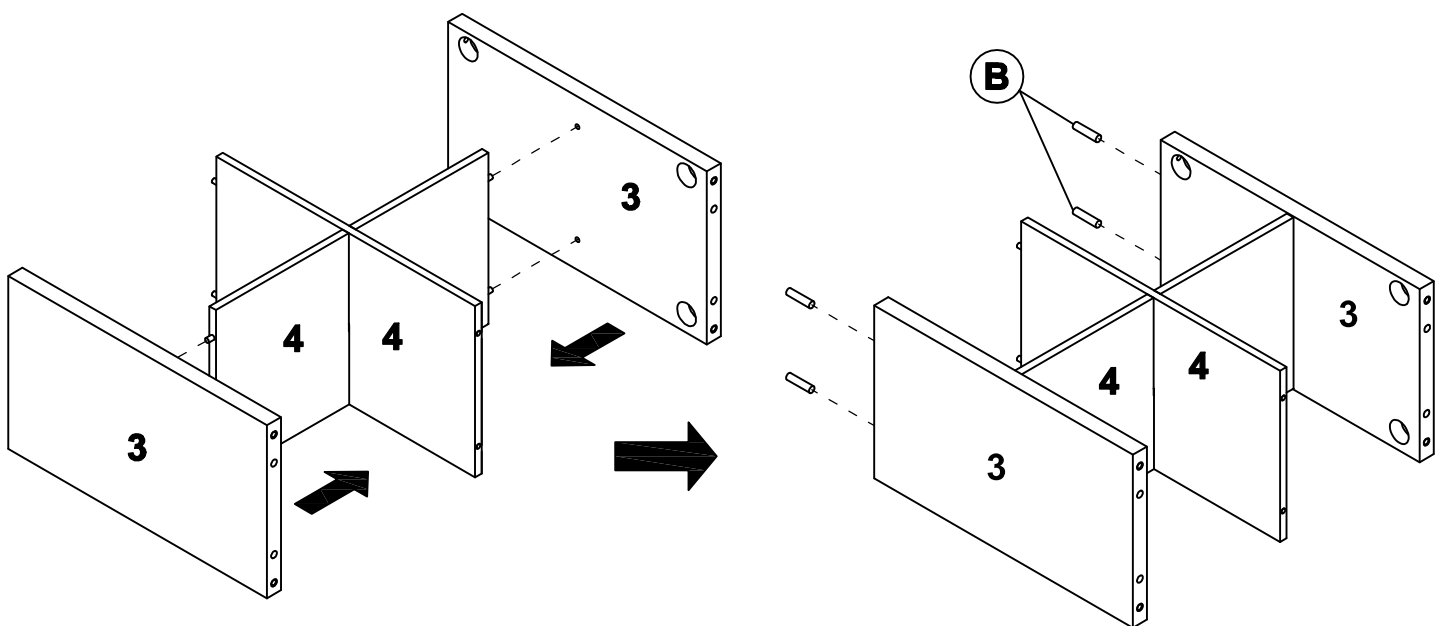
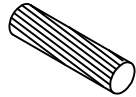
Small Wood Dowel  
Part No. (A)  
Qty: 6



Slide the notches in the shelves into the notches of the center panel.  
Insert the small wood dowels all the way into the holes in the ends of the shelves.

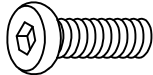



## Step 2

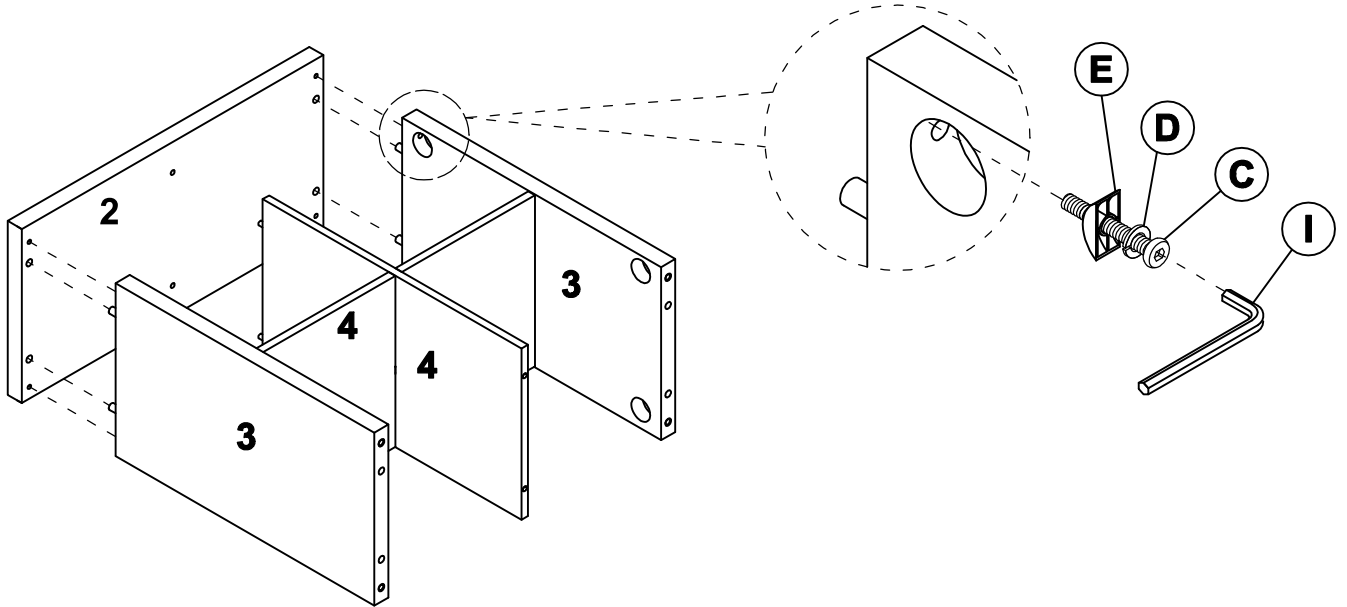
Large Wood Dowel  
Part No. (B)  
Qty: 4




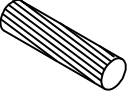
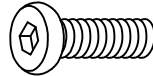

Move the sides together so that the end of small wood dowels enters the hole in the sides panel.  
Insert the large wood dowel all the way into the holes in the ends of the sides panel.

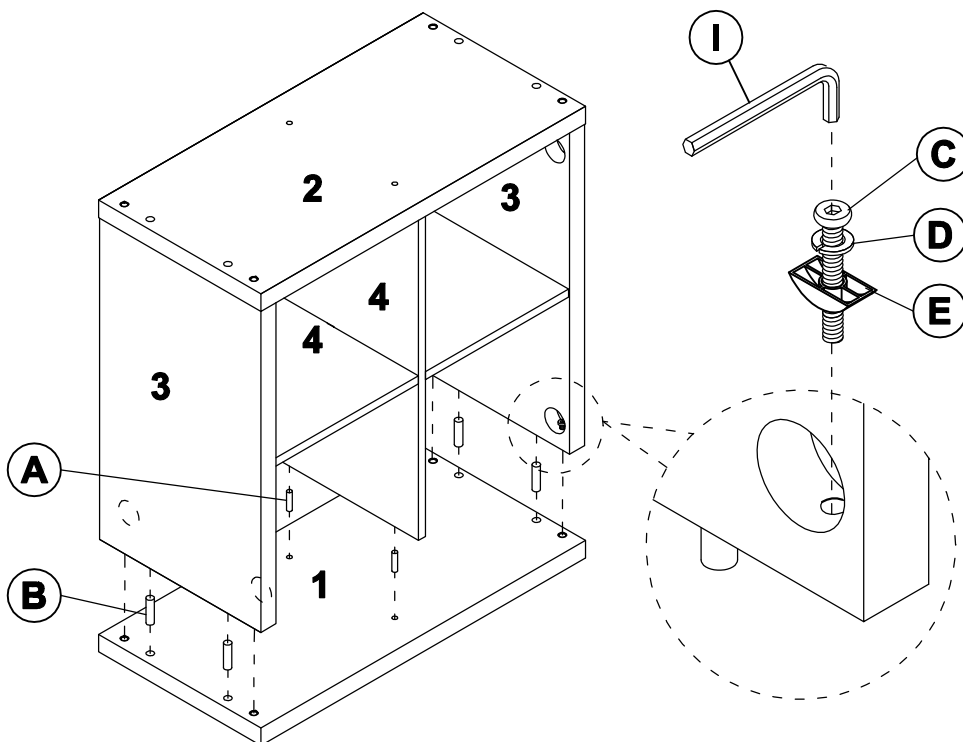
# Assembly instructions & User's Manual



<b>Step 3</b>	Bolt Part No. (C) Qty: 4	Spring Washer Part No. (D) Qty: 4	Crescent Washer Part No. (E) Qty: 4	Hex Wrench Part No. (I) Qty: 1
				



Attach the top panels to the side panels and center panel  
 Attach the top panels to the side panels using the bolts, spring washer and crescent washer.  
 Tighten the bolts using the wrench.

<b>Step 4</b>	Small Wood Dowel Part No. (A) Qty: 2	Large Wood Dowel Part No. (B) Qty: 4	Bolt Part No. (C) Qty: 4	Spring Washer Part No. (D) Qty: 4
				

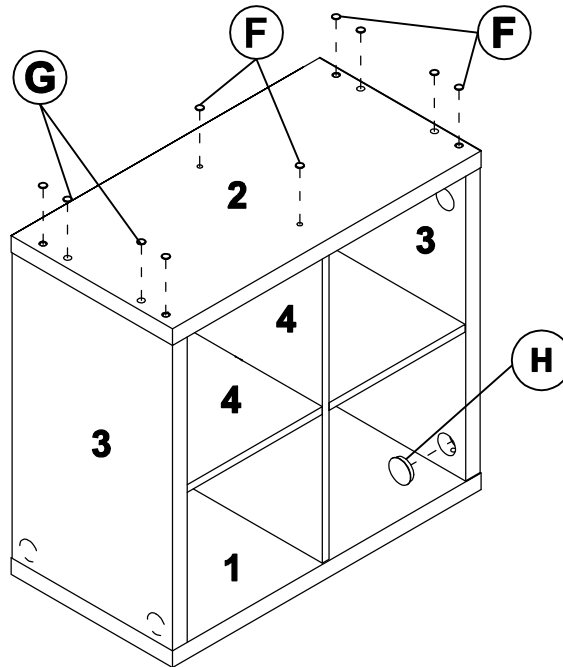


Crescent Washer Part No. (E) Qty: 4	
Hex Wrench Part No. (I) Qty: 1	

Place Top panel on a soft smooth surface with the holes facing up.  
 Inserting the large dowels and small dowels into the corresponding holes of the end panels.  
 Attach the side panels and center panel to the end panels.  
 Attach the side panels to the end panels using the bolts, spring washer and crescent washer.  
 Tighten the bolts using the wrench.

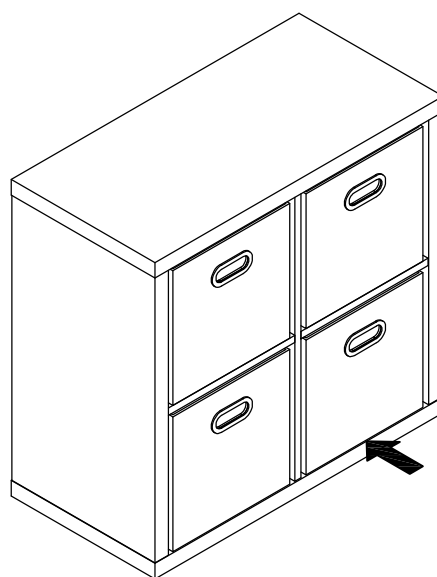
# Assembly instructions & User's Manual

<b>Step 5</b>	Sticker PVC Part No. (F) Qty: 6	Plastic Cap Part No. (G) Qty: 4	Large Plastic Cap Part No. (H) Qty: 8
---------------	---------------------------------------	---------------------------------------	---

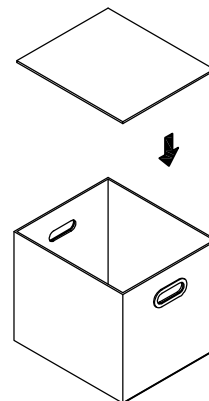


Insert the plastic caps and press tightly to conceal the ends of the large wood dowel holes. Insert the sticker PVC and press tightly to conceal the ends of the small wood dowel holes.

<b>Step 6</b>	Cloth Basket Qty 4	Basket Bottom Panel Qty 4
---------------	-----------------------	------------------------------



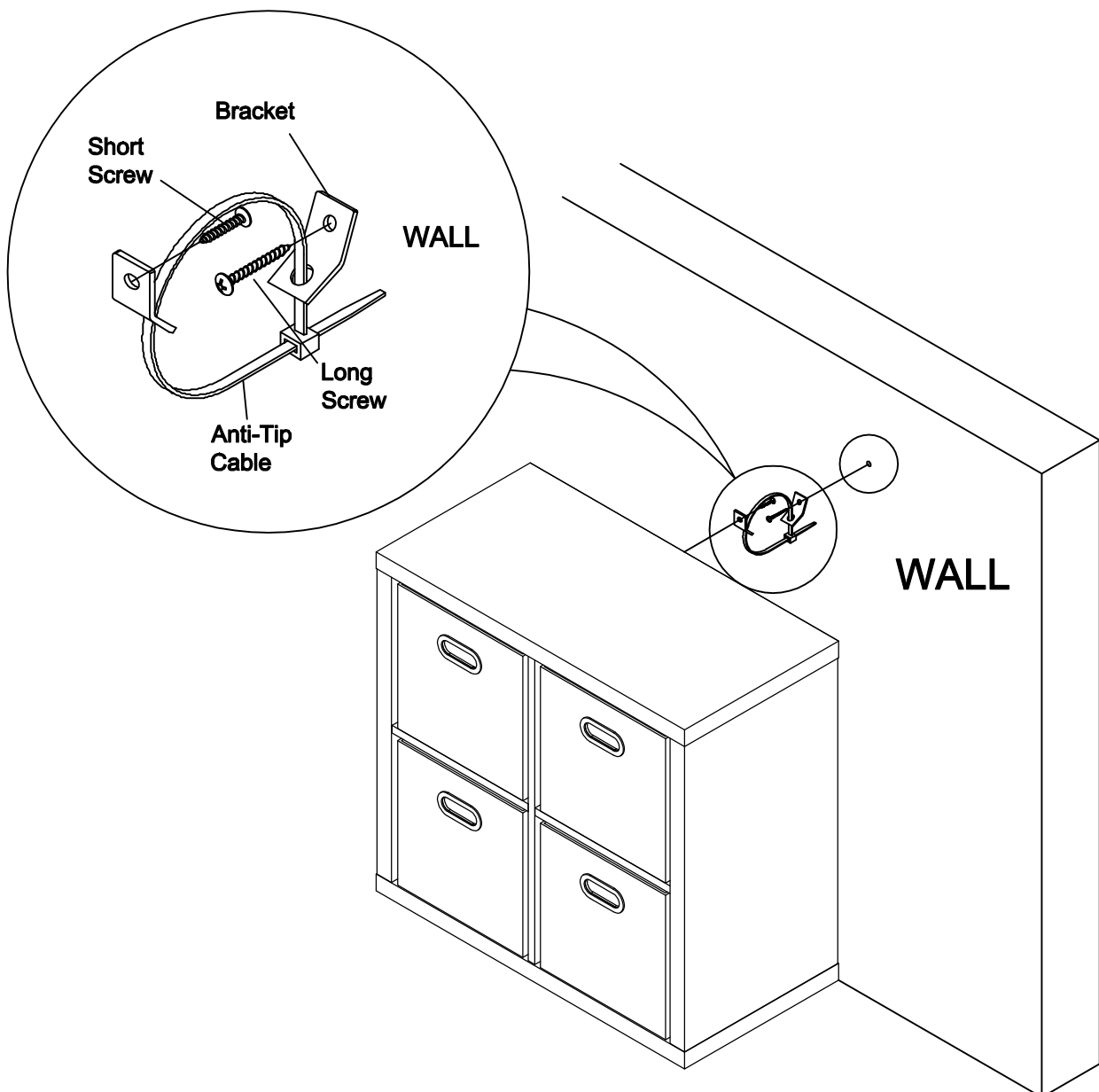
\*\*\* After completed of assemble a 4 cube organizer, together with another adult, turn over the shelf as the beside picture (The number 1 panel should be facing up).



Unfold the cloth baskets and insert the basket bottom panel.

# Assembly instructions & User's Manual

<b>Step 7</b>	Bracket Qty 2	Anti-Tip Cable Qty 1	Long Screw Qty 1	Short Screw Qty 1
---------------	------------------	-------------------------	---------------------	----------------------



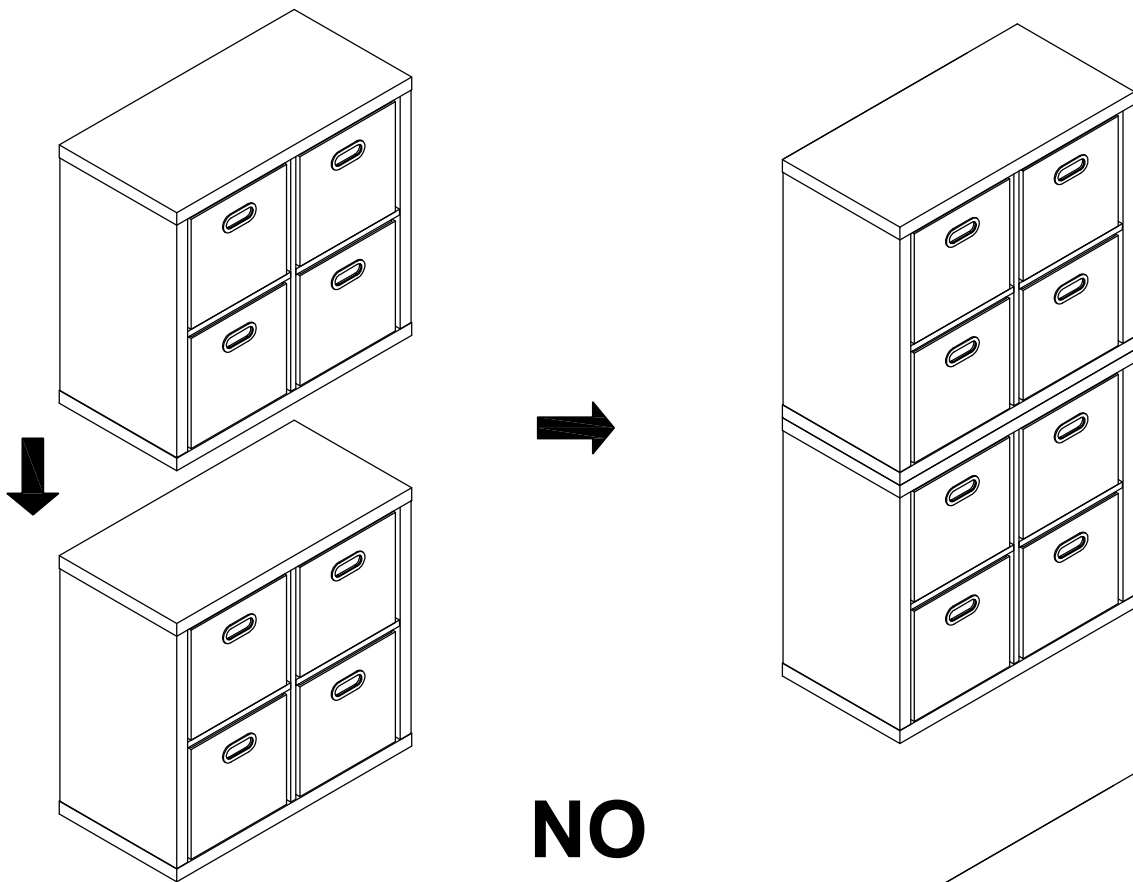
Attach the anti-tip bracket to the 4 cube organizer in the center of the panel using the short screw. Attach another anti-tip bracket to the wall using the long screw. Loop the anti-tip cable through both brackets and screw the ends together to secure.

# Assembly instructions & User's Manual

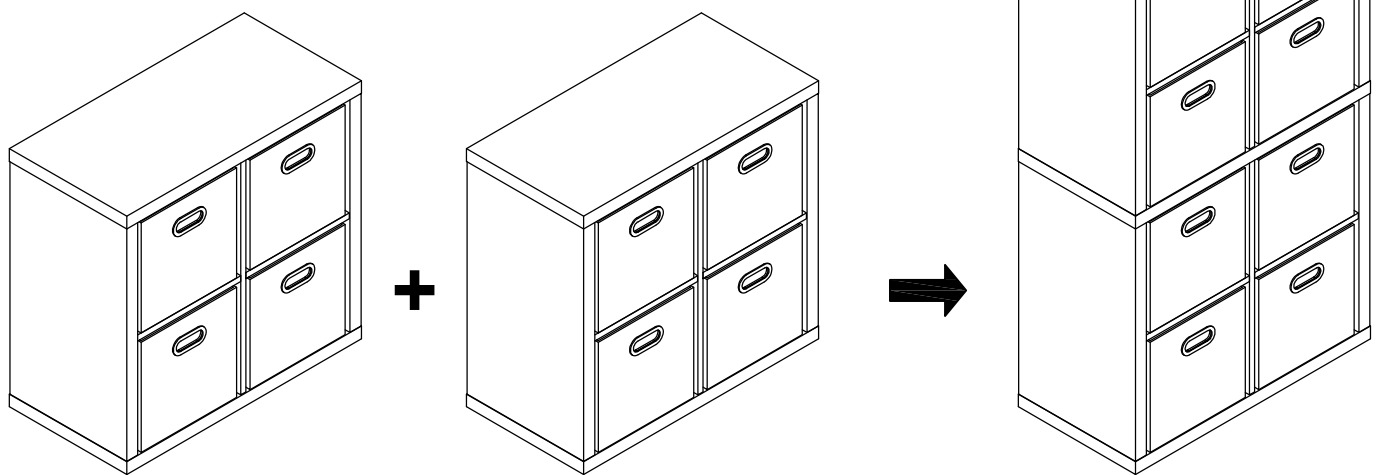
*\*CONVERT TO A 8 CUBE ORGANIZER*

*Notes: If you buy two 4 Cube Organizers, it can be converted to a 8 Cube Organizer. But DO NOT stack two 4 Cube Organizers directly to avoid falling off or tipping over.*

*Read and follow the correct steps to assemble as a secured and steady 8 Cube Organizer.*



**NO**

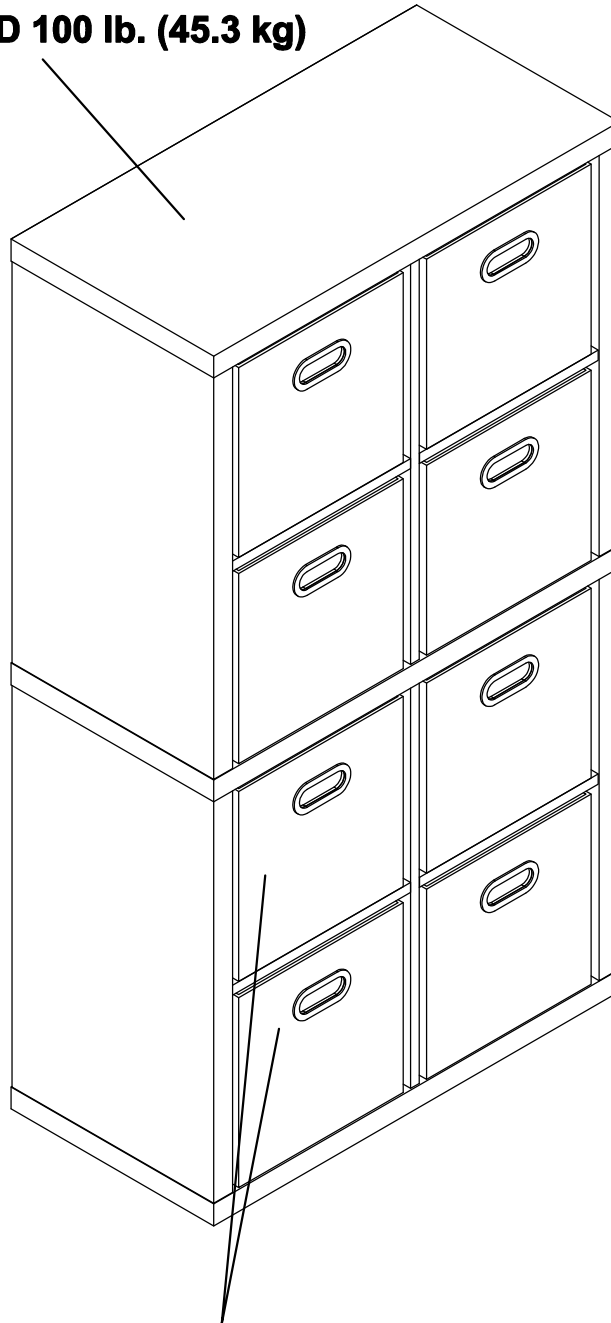


**YES**

# Assembly instructions & User's Manual

## MAXIMUM LOAD:

**MAXIMUM LOAD 100 lb. (45.3 kg)**

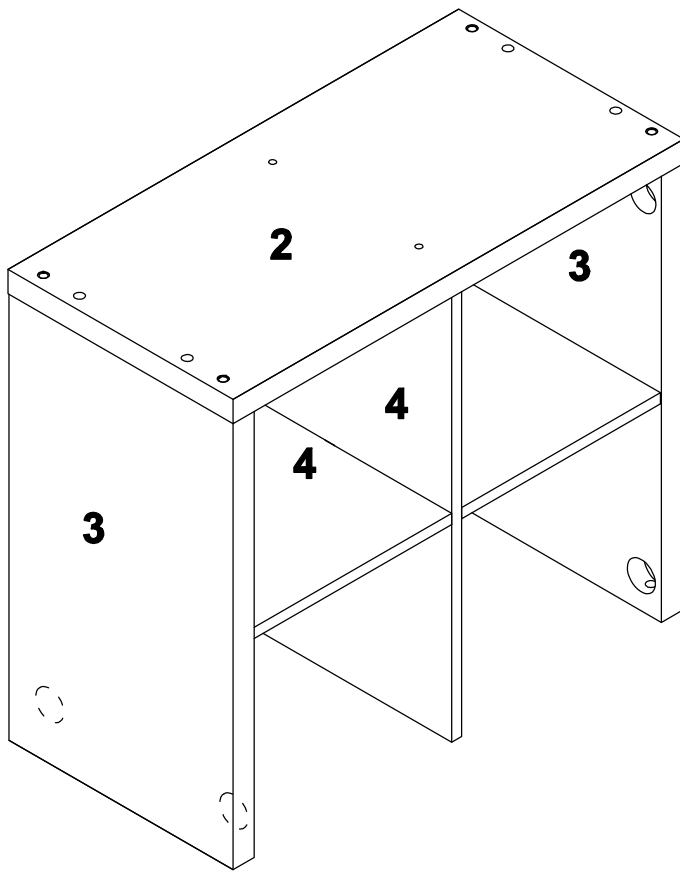


**MAXIMUM LOAD 20 lb. (9 kg)**

## Product Information:

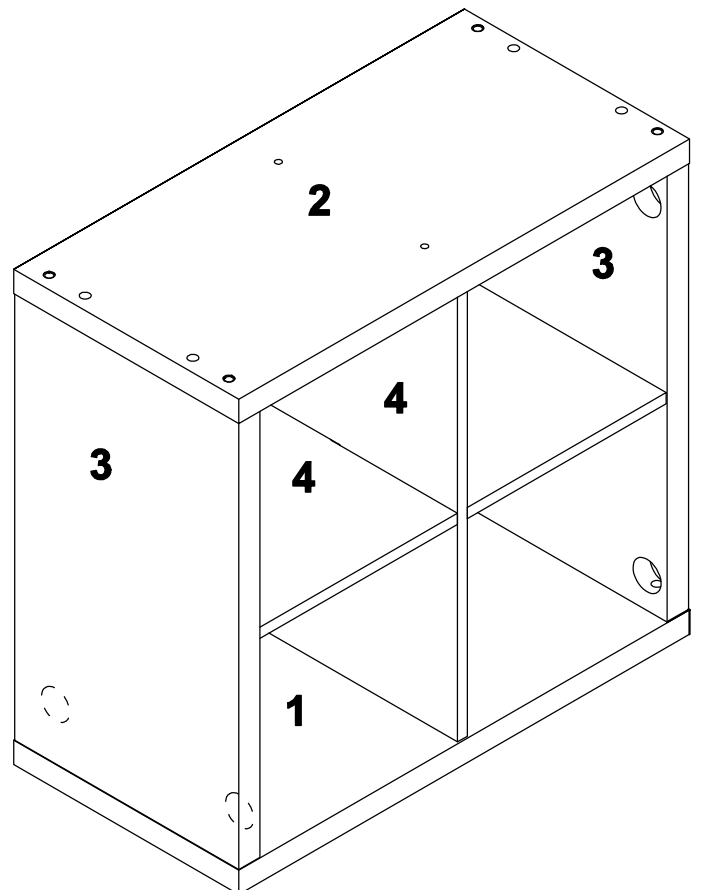
Cube Organizer 29.646" × 15.5" × 57.677" (75.30 cm × 39.40 cm × 146.50 cm)

# Assembly instructions & User's Manual


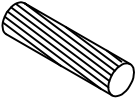
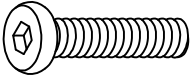





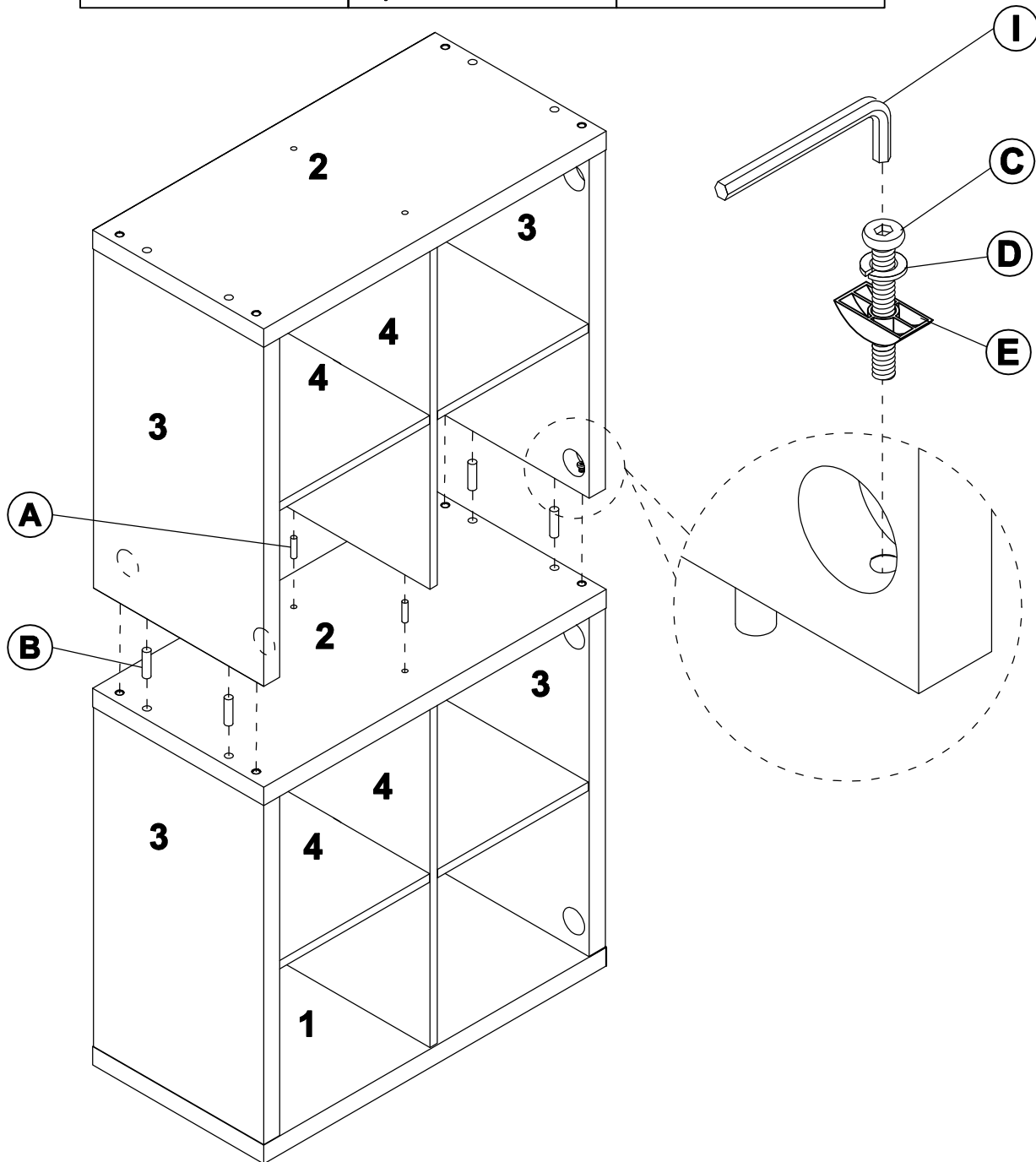
\*\*\* Repeat 1-3 steps for another 4 Cube Organizers

- \*\*\* After completed of assemble a 4 cube organizer, together with another adult, turn over the shelf as the beside picture (The number 2 panel should be facing up).
- \*\*\* Place the shelf on a soft smooth surface.
- \*\*\* Notice to take all of plastic cap and Sticker PVC out of the panel 2 before assembling.






# Assembly instructions & User's Manual

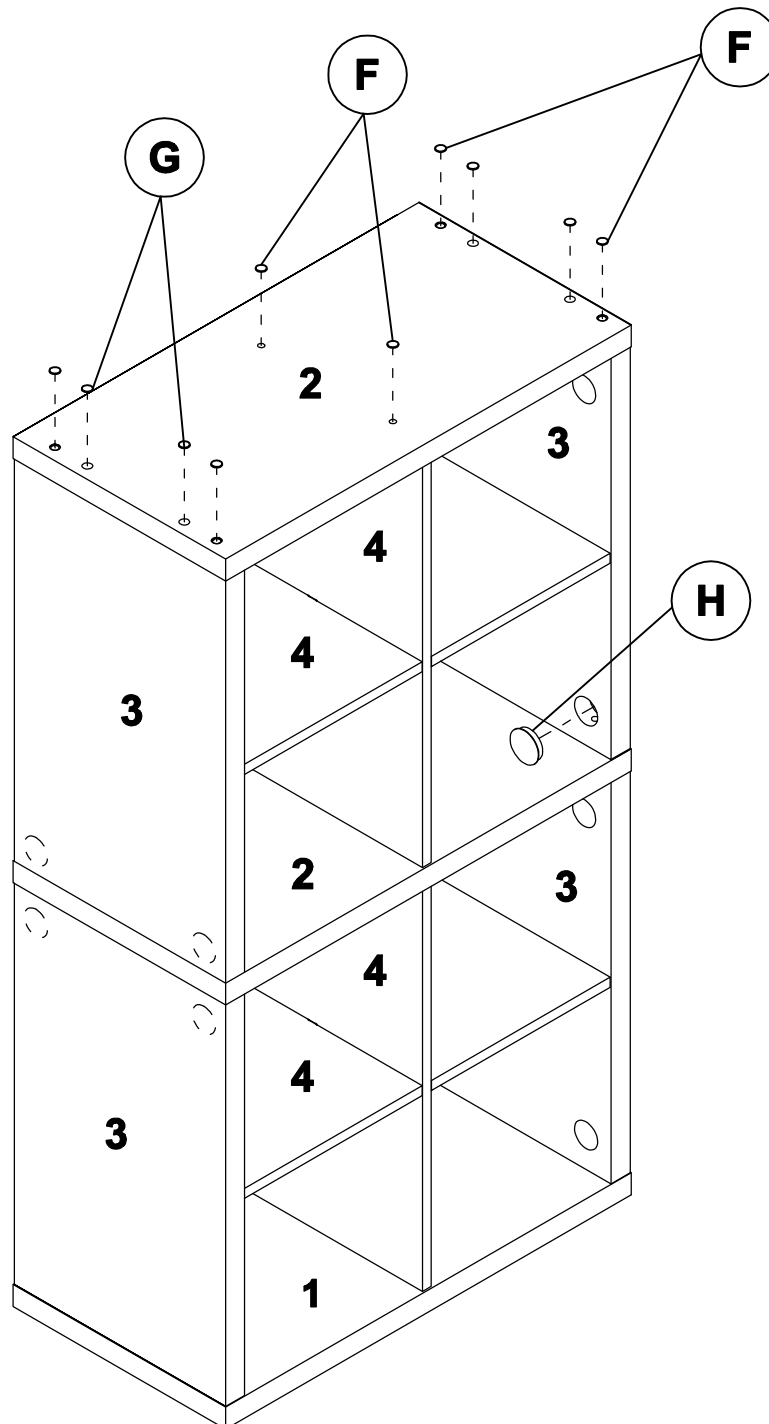
<b>Step 4</b>	(A) Small Wood Dowel Qty 2		(B) Large Wood Dowel Qty 4		(C) Bolt Qty 4	
	(D) Spring Washer Qty 4		(E) Crescent Washer Qty 4		(I) Hex Wrench Qty 1	



Inserting the large dowels and small dowels into the corresponding holes of the end panels. Attach the side panels and center panel to the end panels. Attach the side panels to the end panels using the bolts, spring washer and crescent casher. Tighten the bolts using the wrench.

# Assembly instructions & User's Manual

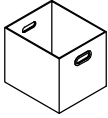
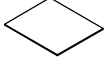
<b>Step 5</b>	Sticker PVC Part No. (F) Qty: 6		Plastic Cap Part No. (G) Qty: 4		Large Plastic Cap Part No. (H) Qty: 8	

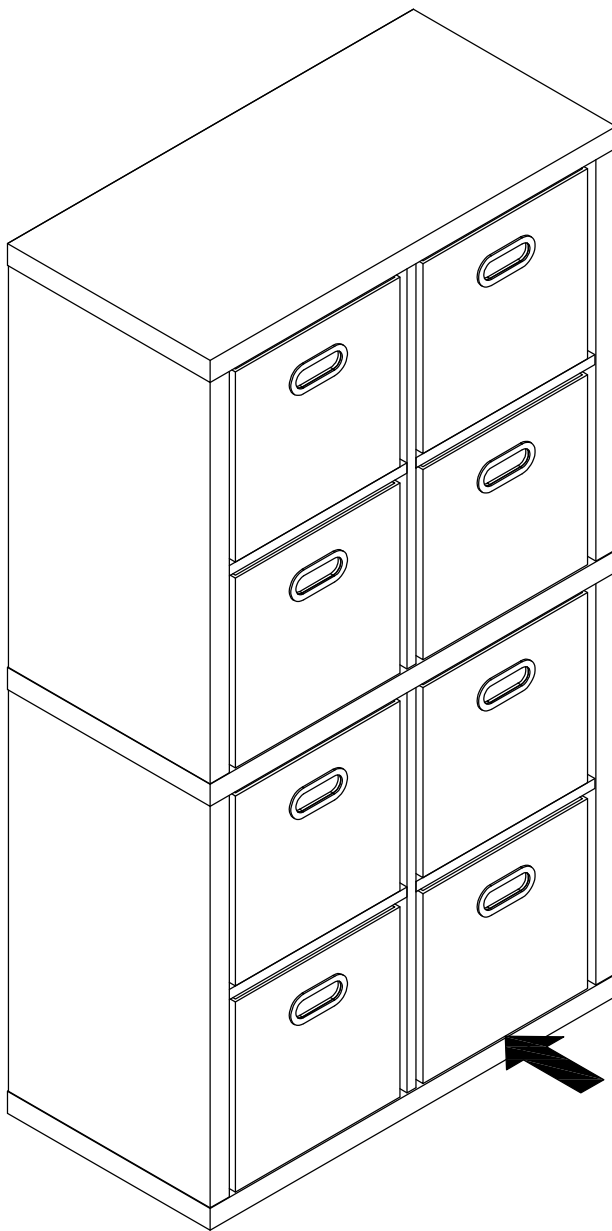


\*\*\* Place the shelf on a soft smooth surface.

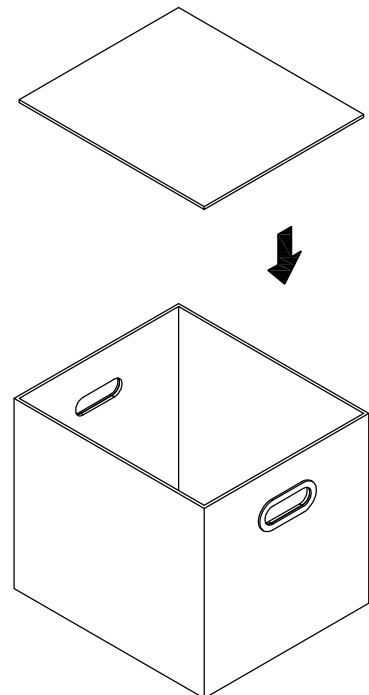
Insert the plastic caps and press tightly to conceal the ends of the large wood dowel holes.  
Insert the sticker PVC and press tightly to conceal the ends of the small wood dowel holes.

# Assembly instructions & User's Manual

<b>Step 6</b>	Cloth Basket Qty 8		Basket Bottom Panel Qty 8	



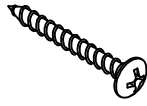
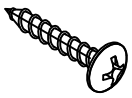


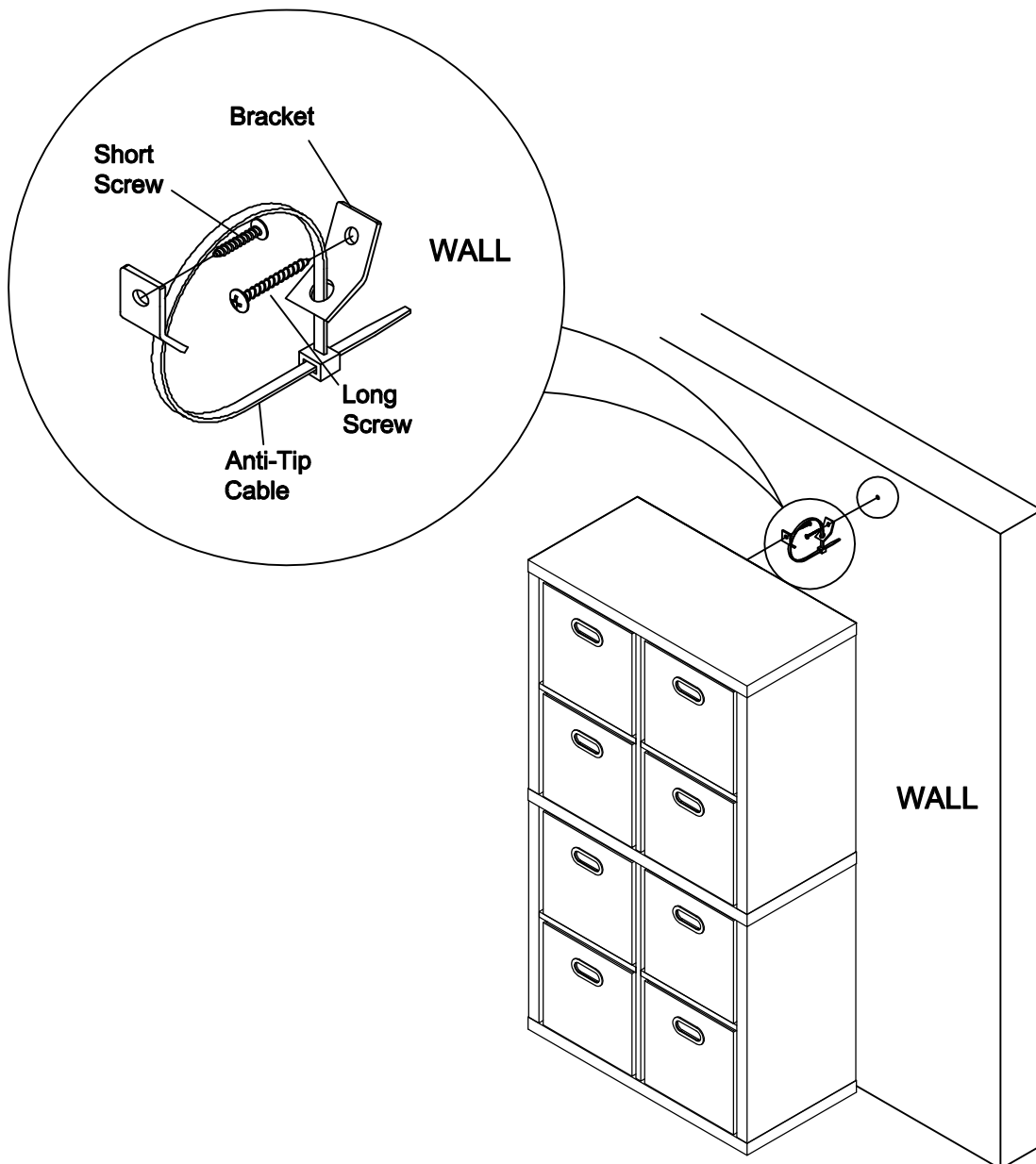
\*\*\* After completed of assemble a 8 cube organizer, together with another adult, turn over the shelf as the beside picture (The number 1 panel should be facing up).



Unfold the cloth baskets and insert the basket bottom panel.

# Assembly instructions & User's Manual

<b>Step 7</b>	Bracket Qty 2		Anti-Tip Cable Qty 1		Long Screw Qty 1		Short Screw Qty 1	



Attach the anti-tip bracket to the 8 cube organizer in the center of the panel using the short screw. Attach another anti-tip bracket to the wall using the long screw. Loop the anti-tip cable through both brackets and screw the ends together to secure.

# **Assembly instructions & User's Manual**

## **Troubleshooting**

Fully tighten all screws after product has been assembled. Adjust height using adjustable spacers per student requirements. Periodically check screws for looseness to prevent misalignment, wobbling or unsteady surface.

## **Care & Use Instructions**

Wipe clean with damp cloth and dry before use.

## **Technical Data**

Dimensions: 29.646" × 15.5" × 29.567"(75.30 cm × 39.40 cm × 75.10 cm)