

# Endura-Craft CRAFTSMAN SERIES SPECIFICATIONS

## PRODUCT DESCRIPTION

Craftsman Series columns are manufactured using expanded cellular PVC and can be trimmed, fastened and drilled with ordinary woodworking tools. Craftsman Series columns have a Limited Lifetime Warranty against rot, corrosion and moisture damage. Craftsman Series columns must be painted with two coats of acrylic latex paint applied according to the paint manufacturer's instructions. Columns that are installed in direct sunlight will perform best when painted with light colors to minimize thermal gain that can cause warping.

Craftsman Series Columns are manufactured using our E-Z Lock Miter Joint that aids in assembly, aligning the corners for a perfect fit and keeping the column square. If installing in cold temperatures (less than 50 degrees) pre-drilling is required before using fasteners. Cellular PVC becomes more brittle in cold temperatures and can be damaged if care is not taken during installation. If repair is required any two part epoxy or two part body filler will work well. Coarse thread galvanized sheetrock or decking screws work best to fasten cellular PVC. Pin nailing will also work well when using non-corrosive pin nails with larger heads. All screws or nail heads should be countersunk. PVC cement or 100% waterproof polyurethane adhesives work well to assemble Craftsman columns.

Craftsman Series column shafts are 3/8" under nominal width and 1/2" under nominal length. Columns are shipped KD to aid in assembly around a structural post and to allow for field trimming. To provide a custom fit, non-tapered plain columns can be trimmed to any length. Non-tapered fluted, recessed panel and raised panel columns can be trimmed up to 6". Tapered plain columns can be trimmed up to 12", and tapered recessed panel or raised panel columns can be trimmed up to 6". Tapered columns must be trimmed from the bottom only and will change the reveal on the base. The base can then be trimmed to match the reveal of the cap or left as is. The tapered column base detail is shipped loose and is applied after the column is trimmed and installed, and the caps for tapered columns come assembled. Caps and bases for non-tapered columns are shipped loose and simply wrap around the column.

Craftsman Series columns are not load bearing and require a load bearing structure in place before installation. If a wood post is used it must be pressure treated. Columns should be trimmed 1/4" shorter than the opening to allow for expansion.

ASTM DESIGNATION	TEST TITLE	Results
D256	IZOD Impact Resistance	0.246 ft. lb/in. Width
D570	Water Absorption (24 Hour exposure)	0.50%
D635	Rate of Burn	Failed to Ignite
D638	Tensile Strength	1,889 psi
	Modulus of Elasticity	107,000 psi
	Elongation	10.20%
D648	Heat Deflection Temperature under Load	153 F
D696	Coefficient of Linear Thermal Expansion	0.0000327 in/in F
D790	Flexural Strength	4019 psi
D792	Specific Gravity / Density	0.55 g/cc
D1761	Fastener Withdrawal - 2" Staples	69
	Fastener Withdrawal - 1" #10 Wood Screw	422
	Fastener Withdrawal - 2" Galvanized Nails	108
D5420	Impact Resistance (Drop Dart)	98
E84	Surface Burn Characteristics	20

## PANEL STYLES AVAILABLE



# ENDURA-CRAFT TAPERED CRAFTSMAN COLUMNS

## TAPERED COLUMN SPECIFICATIONS

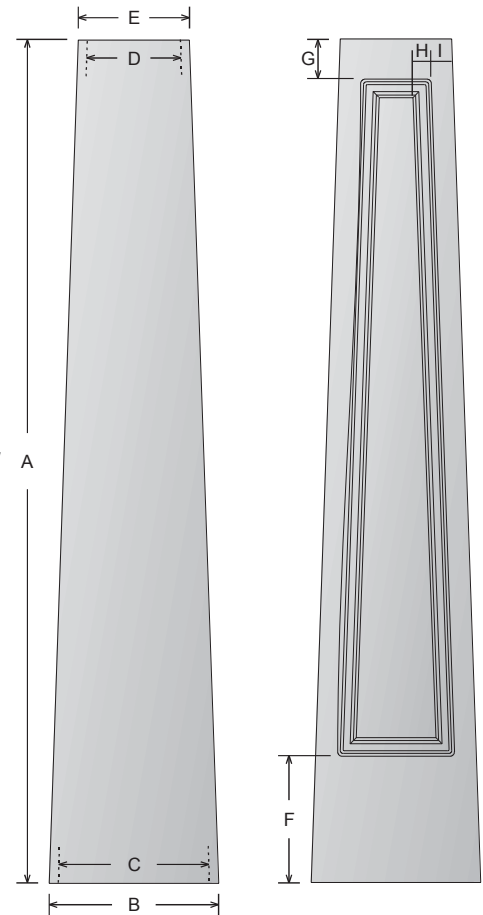
Tapered columns are available plain, or with three paneled options: standard raised panel, “square corner” raised panel, and recessed panel. (Since all tooling used for routing the panels is done with round bits, there will always be some radius in the corners. The “square corner” style uses the smallest bit possible to minimize that radius - about 1/8”.)

Standard heights available for tapered columns are 4’, 5’, 6’, 8’ and 10’. Custom sizes may be requested, up to 24’ in height, and up to 48” in width.

Shaft heights for standard columns will be 1/2” less than the nominal height (see diagram, dimension “A”.) For example, a 5’ high column will ship with a shaft that is 4’-11 1/2” tall. If the installation does not use the 1” base platform or 1” cap platform, the column can still achieve the full 5’ stated height, since the cap molding can cover the 1/2” gap at the top. (At least 1/4” gap is required at the top on all installations to compensate for product thermal expansion.)

Net widths of shafts will be 3/8” less than nominal. Custom tapers may be requested by specifying the bottom width and top width of the shaft. Cap and base trim and platforms will be adjusted as needed for the revised shaft width.

See the cap and base specifications page for available cap/base styles.



Shaft Specifications								
Nominal Width	Shaft Dimensions				Panel Dimensions†			
	Bottom		Top		From Bottom of Shaft (F)‡	From Top of Shaft (G)	From Side of Shaft (I)	Width of Routed Channel (H)
Outside Width (B)	Inside Width (C)	Outside Width (E)	Inside Width (D)					
10"	9 5/8"	8 3/8"	5 5/8"	4 3/8"	10 1/2"	2 1/2"	1 1/4"	3/4"
12"	11 5/8"	10 3/8"	7 5/8"	6 3/8"	10 1/2"	2 1/2"	1 1/2"	1 1/4"
16"	15 5/8"	14 3/8"	11 5/8"	10 3/8"	10 1/2"	2 1/2"	1 1/2"	1 1/4"
20"	19 5/8"	18 3/8"	13 5/8"	12 3/8"	10 1/2"	2 1/2"	1 1/2"	1 1/4"
24"	23 5/8"	22 3/8"	15 5/8"	14 3/8"	10 1/2"	2 1/2"	1 1/2"	1 1/4"

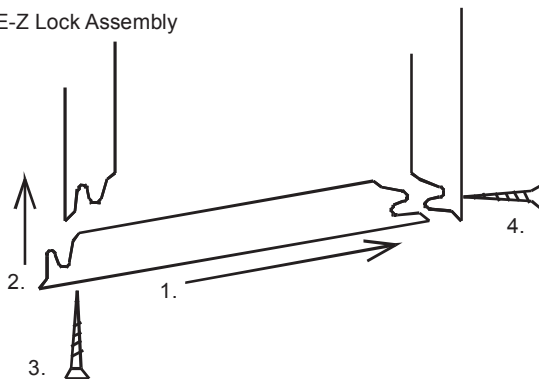
† Dimensions except width also apply to recessed panel shafts.

‡ Dimension shown is for standard shafts. On custom height columns the panels start 5 1/4” from the bottom.

## E-Z LOCK JOINT ASSEMBLY

Vertical edges of Craftsman shafts (tapered, non-tapered, pedestal and newel post styles) all incorporate the E-Z Lock miter joint for consistently straight miters. See the installation instructions for full information. Appropriate adhesives are PVC cement or polyurethane glue. Double hot-dipped galvanized screws or pin-nails or other non-corrosive fasteners should be used to reinforce the glue joint.

E-Z Lock Assembly



Please note the correct assembly of the E-Z Lock joint shown at the left. The screws or nails MUST be installed only in the edges shown (3 and 4). Installing on the other edges may result in open seams. (Pre-drilling is recommended when using screws.)

1. Glue both edges, slide 1st joint together.
2. Slide second joint together.
3. Nail or screw second joint (#3).
4. Nail or screw first joint (#4).

# ENDURA-CRAFT NON-TAPERED CRAFTSMAN COLUMNS

## NON-TAPERED COLUMN SPECIFICATIONS

Non-tapered columns are available plain, fluted or with three paneled options: standard raised panel, "square corner" raised panel, and recessed panel. (Since all tooling used for routing the panels is done with round bits, there will always be some radius in the corners. The "square corner" style uses the smallest bit possible to minimize that radius - about 1/8".) Double panel configurations are available upon request, similar to the panels on Endura-Stone FRP square column shafts, or with custom spacing.

Standard Sizes												
	4'	5'	6'	8'	10'	12'	14'	16'	18'	20'	22'	24'
6"	√	√	√	√	√							
8"	√	√	√	√	√							
10"	√	√	√	√	√							
12"	√	√	√	√	√							
14"				√	√	√	√					
16"				√	√	√	√	√				
18"				√	√	√	√	√	√			
20"				√	√	√	√	√	√	√		
22"				√	√	√	√	√	√	√	√	
24"				√	√	√	√	√	√	√	√	√

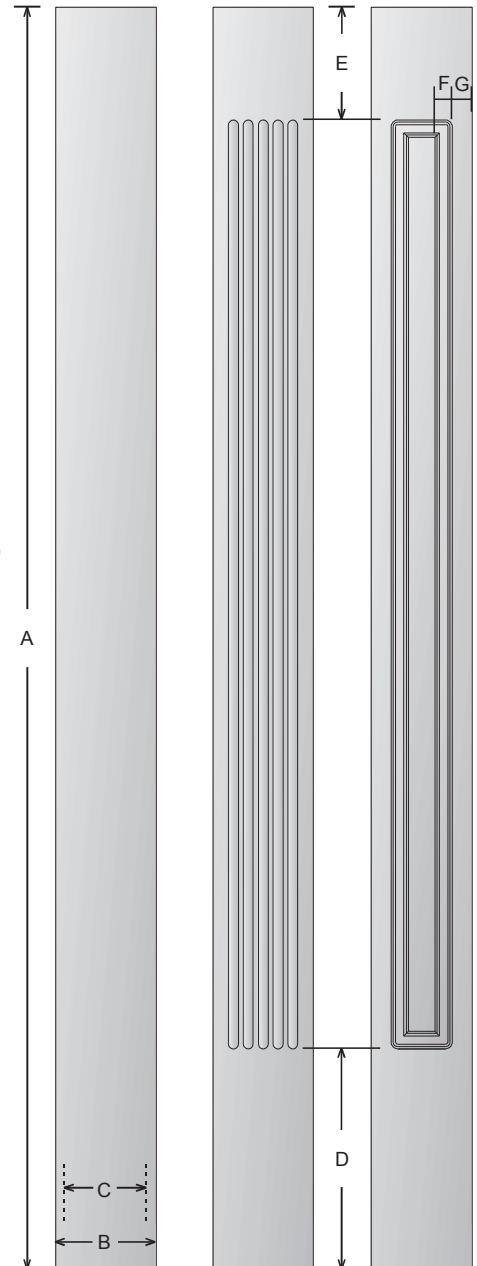
Shaft heights for standard columns will be 1/2" less than the nominal height (see diagram, dimension "A".) For example, a 5' high column will ship with a shaft that is 4'-11 1/2" tall. The cap will cover the gap when installed. (At least 1/4" gap is required at the top on all installations to compensate for product thermal expansion.)

Net widths of shafts will be 3/8" less than nominal. Custom widths and heights may be requested in any size up to 24' tall, and 48" wide. Cap and base trim and plat-forms will be adjusted as needed for the revised shaft width.

Specifications								
Nominal Width	Shaft Dimensions		Panel / Flute Spacing†		Panels†		Flutes	
	Outside Width (B)	Inside Width (C)	From Bottom of Shaft (D)‡	From Top of Shaft (E)	From Side of Shaft (G)	Width of Routed Channel (F)	Number of Flutes	Flute Width
6"	5 5/8"	4 3/8"	16 3/4"	8 1/2"	1 1/4"	3/4"	20	1/2"
8"	7 5/8"	6 3/8"	16 3/4"	8 1/2"	1 1/2"	1 1/4"	20	3/4"
10"	9 5/8"	8 3/8"	16 3/4"	8 1/2"	1 1/2"	1 1/4"	20	1"
12"	11 5/8"	10 3/8"	16 3/4"	8 1/2"	1 1/2"	1 1/4"	20	1 1/4"
14"	13 5/8"	12 3/8"	16 3/4"	9"	2"	1 1/4"	24	1 1/4"
16"	15 5/8"	14 3/8"	16 3/4"	9 1/4"	2 1/4"	1 1/4"	28	1 1/4"
18"	17 5/8"	16 3/8"	16 3/4"	9 1/2"	2 1/2"	1 1/4"	32	1 1/4"
20"	19 5/8"	18 3/8"	16 3/4"	9 3/4"	2 3/4"	1 1/4"	36	1 1/4"
22"	21 5/8"	20 3/8"	16 3/4"	10"	3"	1 1/4"	40	1 1/4"
24"	23 5/8"	22 3/8"	16 3/4"	10 1/4"	3 1/4"	1 1/4"	44	1 1/4"

† Dimensions except width also apply to recessed panel shafts.

‡ Dimension shown is for standard shafts. On custom height columns the panels/flutes start 4" from the top of the base selected, and dimension (G) from the cap (or optional necking).



See the cap and base specifications page for available cap/base styles. Also available for the non-tapered shaft is an optional neck trim: molding applied as an astragal. This 1 1/8" high molding is installed in the field, and on plain shafts, can be placed at any location the design requires. For fluted or paneled columns, this should be installed 1" below the cap, and the flutes or panels would begin 1 1/2" below the neck trim. Any customer preferred alterations of that location would need to be indicated prior to manufacture. (This molding can also be ordered with the tapered columns, but will ship long, and the installer will need to cut the compound miter to make this fit correctly.)

# ENDURA-CRAFT CRAFTSMAN PEDESTALS & NEWELS

## PEDESTAL / NEWEL SPECIFICATIONS

Non-tapered pedestals and newels are available plain or with these paneled options: standard raised panel, “square corner” raised panel, and recessed panel. (Since all tooling used for routing the panels is done with round bits, there will always be some radius in the corners. The “square corner” style uses the smallest bit possible to minimize that radius - about 1/8”.) Fluting is available as a custom option.

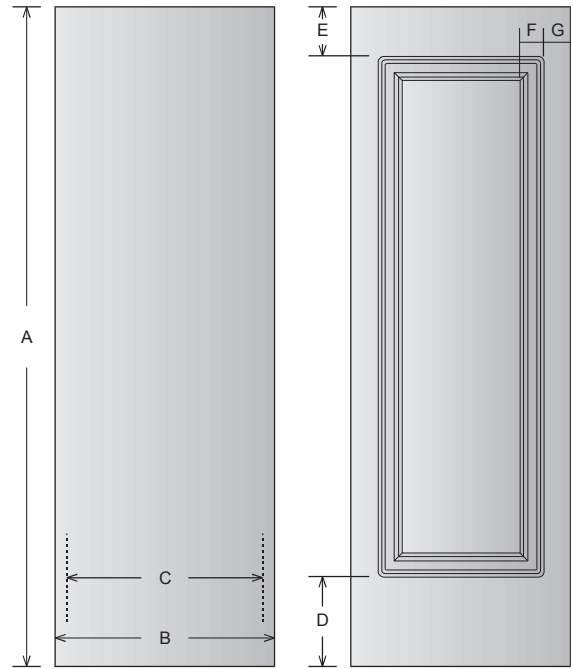
Shaft heights for standard pedestals and newels (dimension A of diagram) are 1” less than nominal. The pedestals are all topped with a 1” platform, thus achieving the stated net height. This platform, like the platforms on the cap and base for tapered columns, is “V” cut to easily install around an existing load support. See the tapered cap and base specifications page for more information on the “V” cut. Top platforms for newels are not V-cut, providing a flat top. An optional pyramid cap is available (no top platform is included with newels when using the pyramid cap.)

Standard widths range from 8” to 30” in two-inch increments. Net widths of shafts are typically 3/8” less than nominal. Custom widths and heights may be requested in any size, typically from 2’ to 4’ tall and 48” wide. Custom plans, such as double-width for two columns, “L” shape for three columns on a corner, etc., are also possible.

Pedestals are typically about 1/3 the height of the overall column, and the shaft width is about the same as the width of the base on the column which it supports. Pedestals and newels are often incorporated with rail systems, and we are able to adjust sizes, panel locations and heights, etc. to accommodate the attachment of railing components.

See the Trim Kit specifications page for available styles, including the pyramid cap.

It should be noted that like all products in the Craftsman Series line, pedestals and newels need to be installed around a structural component. The installer may need to provide blocking at the bottom and top to prevent lateral movement.

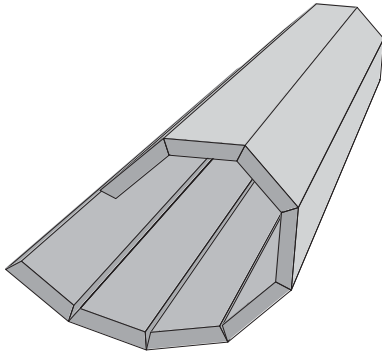


Shaft Specifications

Nominal Width	Shaft Widths		Panels (Standard Trim)		Panels (Prairie Trim)		Panels	
	Outside (B)	Inside (C)	From Bottom of Shaft (D)	From Top of Shaft (E)	From Bottom of Shaft (D)	From Top of Shaft (E)	Width of Router Channel (F)	From Side of Shaft (G)
6"	5 5/8"	4 3/8"	4 3/4"	3 3/4"	4 3/4"	2 5/8"	3/4"	1 1/4"
8"	7 5/8"	6 3/8"	4 3/4"	3 3/4"	4 3/4"	2 5/8"	1 1/4"	1 1/2"
10"	9 5/8"	8 3/8"	4 3/4"	3 3/4"	4 3/4"	2 5/8"	1 1/4"	1 1/2"
12"	11 5/8"	10 3/8"	4 3/4"	3 3/4"	4 3/4"	2 5/8"	1 1/4"	1 1/2"
14"	13 5/8"	12 3/8"	5 1/4"	4 1/4"	5 1/4"	3 1/8"	1 1/4"	2"
16"	15 5/8"	14 3/8"	5 1/2"	4 1/2"	5 1/2"	3 3/8"	1 1/4"	2 1/4"
18"	17 5/8"	16 3/8"	5 3/4"	4 3/4"	5 3/4"	3 5/8"	1 1/4"	2 1/2"
20"	19 5/8"	18 3/8"	6"	5"	6"	3 7/8"	1 1/4"	2 3/4"
22"	21 5/8"	20 3/8"	6 1/4"	5 1/4"	6 1/4"	4 1/8"	1 1/4"	3"
24"	23 5/8"	22 3/8"	6 1/2"	5 1/2"	6 1/2"	4 3/8"	1 1/4"	3 1/4"
26"	25 5/8"	24 3/8"	6 3/4"	5 3/4"	6 3/4"	4 5/8"	1 1/4"	3 1/2"
28"	27 5/8"	26 3/8"	7"	6"	7"	4 7/8"	1 1/4"	3 3/4"
30"	29 5/8"	28 3/8"	7 1/4"	6 1/4"	7 1/4"	5 1/8"	1 1/4"	4"

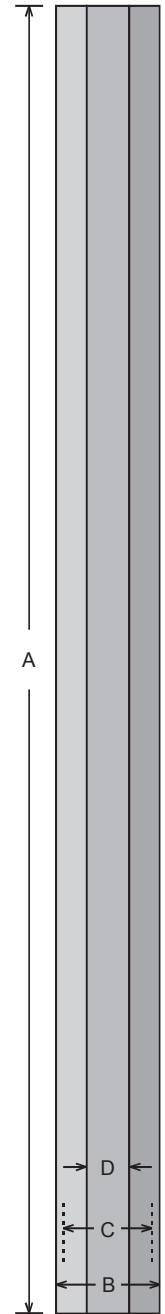
# ENDURA-CRAFT CRAFTSMAN OCTAGON COLUMNS

## NON-TAPERED OCTAGON SHAFTS



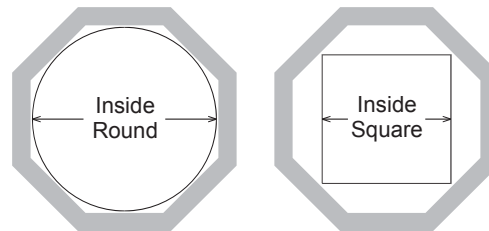
Our Craftsman octagon column is made out of a single sheet of PVC, using a "V" shape cutter where the sides join, but not cutting all the way through. This makes a folding joint instead of separate sides that are mitered and glued together. This one piece manufacturing method for octagon columns provide an easy "wrap" installation, with only one seam to finish.

Column widths are measured through opposite sides (not diagonally corner-to-corner). Standard widths are 8" and 10", and special orders are available up to 14" wide. Heights are available up to 24', the maximum length of our PVC stock.



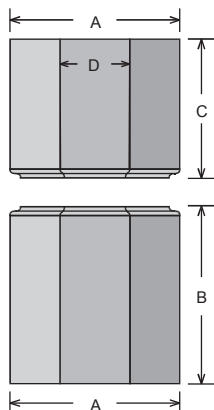
Standard Heights (A)				
Column Size	6'	8'	10'	12'
8"	X	X	X	
10"	X	X	X	
12"		X	X	X
14"		X	X	X

Shaft Specifications					
Column Size	Net Width		Space Inside		Face Width (D)
	Outside (B)	Inside (C)	Round	Square	
8"	7 5/8"	6 3/8"	6 1/4"	4 3/8"	3 5/32"
10"	9 5/8"	8 3/8"	8 1/4"	5 3/4"	4"
12"	11 5/8"	10 3/8"	10 1/4"	7 1/8"	4 13/16"
14"	13 5/8"	12 3/8"	12 1/4"	8 1/2"	5 21/32"



## OCTAGON CAP AND BASE

Like the octagon column shafts, the cap and base components are assembled as a wrap.



Cap and Base Specifications				
Column Size	Net Width (A)*	Base Height (B)	Cap Height (C)	Face Width (D)*
8"	8 7/8"	9 1/4"	7 1/4"	3 11/16"
10"	10 7/8"	9 1/4"	7 1/4"	4 1/2"
12"	12 7/8"	9 1/4"	7 1/4"	5 11/32"
14"	14 7/8"	9 1/4"	7 1/4"	6 5/32"

\* Since the cap/base wrap the column, we manufacture them based on inside widths. Due to fit tolerances and material thickness variances, net widths may be up to 1/8" larger than shown.

# ENDURA-CRAFT CRAFTSMAN CAP/BASE

## TAPERED CAP AND BASE STYLES

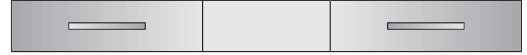
The cap and base sets for tapered Craftsman Series columns consist of a platform and a molding. The platforms are factory cut in a "V" shape to allow easy installation around an existing load support. This "V" is re-assembled using the jointer biscuits (included), PVC cement or polyurethane glue, and nails or screws. (As with all exterior products, non-corrosive fasteners must be used, such as double hot-dipped galvanized screws or nails.) This same "V" cut construction is used for the top platform of Craftsman pedestals. Pedestals being used as newels may be ordered without the platform being "V" cut.

In addition to the standard profile cap and base set, optional Crown and Prairie styles are available. These styles allow customers more freedom of choice when designing their columns, and may be mixed and matched as desired. Custom options may be possible as well, based on customer requirements.

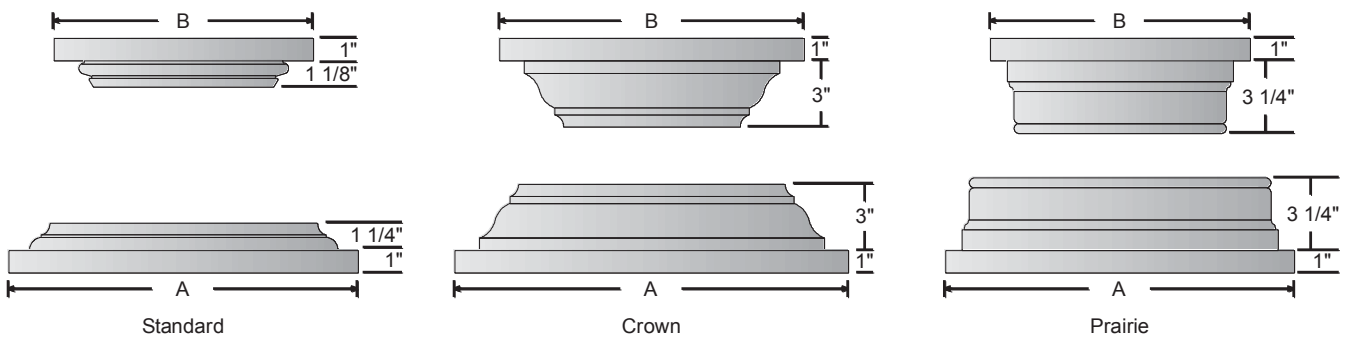
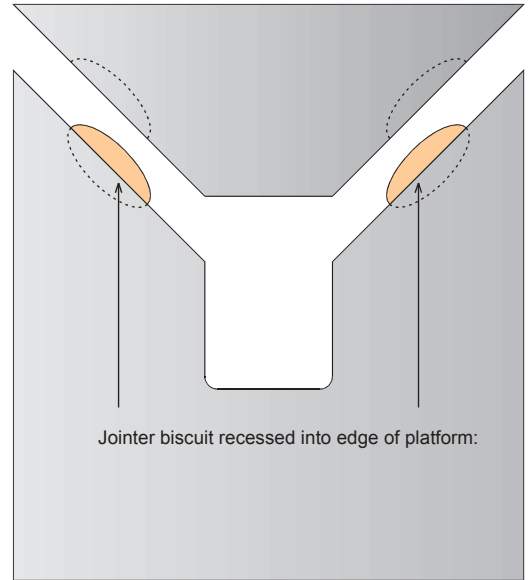
For columns of non-standard size, the widths of the cap and base will be adjusted accordingly. The heights however will remain the same.

The inside widths shown below refer to the cutout in the center of the platforms. In cases where the column needs to move horizontally off center of the support post, or is being installed around a support post larger than the cap's inside width, the installer would be able to cut this to fit in the field, up to (but not larger than) the top inside width of the shaft.

Edge view of "V" cut - shows where the jointer biscuits install:



Plan view of "V" cut - shows jointer biscuit recessed into edge:



Tapered Cap and Base Specifications												
Column Nominal Bottom Width	Standard				Crown				Prairie			
	Base		Cap		Base		Cap		Base		Cap	
	Outside Width (A)	Inside Width	Outside Width (B)	Inside Width*	Outside Width (A)	Inside Width	Outside Width (B)	Inside Width*	Outside Width (A)	Inside Width	Outside Width (B)	Inside Width*
10"	13 5/8"	5 5/8"	9 5/8"	3 5/8"	15 5/8"	5 5/8"	11 5/8"	3 5/8"	13 5/8"	5 5/8"	9 5/8"	3 5/8"
12"	15 5/8"	7 5/8"	11 5/8"	3 5/8"	17 5/8"	7 5/8"	13 5/8"	3 5/8"	15 5/8"	7 5/8"	11 5/8"	3 5/8"
16"	19 5/8"	11 5/8"	15 5/8"	3 5/8"	21 5/8"	11 5/8"	17 5/8"	3 5/8"	19 5/8"	11 5/8"	15 5/8"	3 5/8"
20"	23 5/8"	13 5/8"	17 5/8"	3 5/8"	25 5/8"	13 5/8"	19 5/8"	3 5/8"	23 5/8"	13 5/8"	17 5/8"	3 5/8"
24"	27 5/8"	15 5/8"	19 5/8"	3 5/8"	29 5/8"	15 5/8"	21 5/8"	3 5/8"	27 5/8"	15 5/8"	19 5/8"	3 5/8"

\*Please specify if you need a larger inside width—option only available on 12" and larger caps.

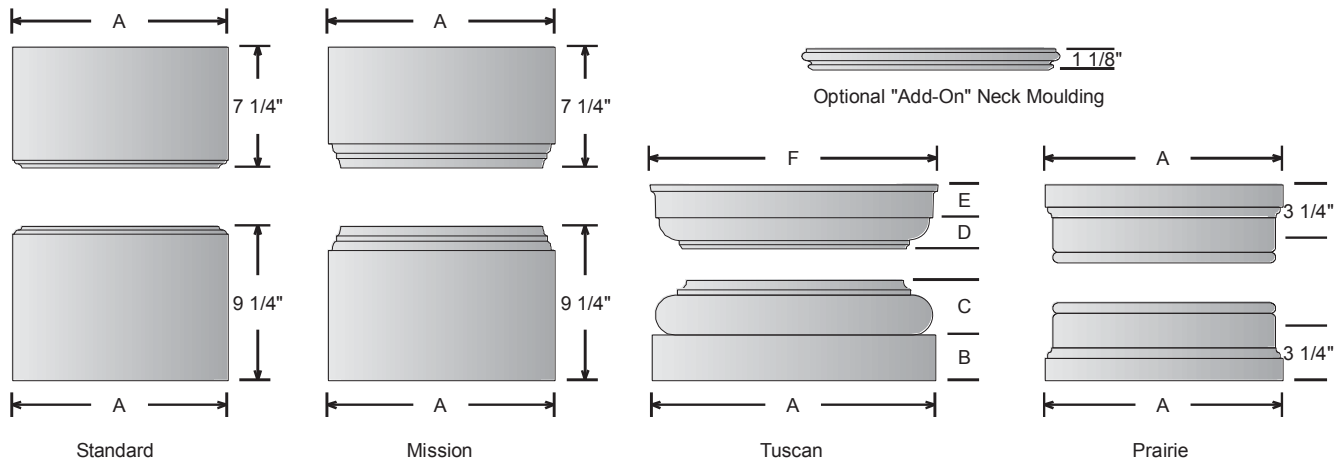
# ENDURA-CRAFT CRAFTSMAN CAP/BASE

## NON-TAPERED CAP AND BASE STYLES

The cap and base sets for non-tapered Craftsman Series columns consist of a mitered wrap or a molding. The optional neck trim is also a molding, applied by the installer. These wraps and/or moldings do not have the E-Z Lock joint, due to the routed edges of the parts.

In addition to the standard cap and base profile, optional Mission, Tuscan and Prairie styles are available. These styles allow customers more freedom of choice when designing their columns, and may be mixed and matched as desired. Custom options may be possible as well, based on customer requirements.

For columns of non-standard size, the widths of the cap and base will adjusted accordingly. The heights however will remain the same. Since the non-tapered cap and base install around the shaft, the inside size of the cap will be the same as the outside net width of the column. When considering the space requirements to wrap the load support, the inside width of the column shaft is the specification which would be applicable.



Non-tapered Cap and Base Specifications											
Column Nominal Width	Standard Cap & Base Width (A)	Mission Cap & Base Width (A)	Tuscan Cap and Base								Prairie Cap & Base Width (A)
			Base				Cap				
			Plinth Width (A)	Plinth Height (B)	Torus Height (C)	Base Height (B-C)	Echinus Height (D)	Abacus Height (E)	Cap Height (E-F)	Abacus Width (F)	
6"	6 7/8"	7 5/8"	8"	1 1/2"	1 3/4"	3 1/4"	1"	1 1/16"	2 1/16"	8 7/16"	8 1/8"
8"	8 7/8"	9 5/8"	11 3/8"	1 7/8"	2 3/8"	4 1/4"	1 3/4"	1 3/8"	2 11/16"	11 1/4"	10 1/8"
10"	10 7/8"	11 5/8"	13 1/2"	2 3/8"	2 7/8"	5 1/4"	1 13/16"	1 3/4"	3 9/16"	13 1/4"	12 1/8"
12"	12 7/8"	13 5/8"	17"	2 3/4"	3 1/4"	6"	1 7/8"	2"	3 7/8"	17 1/4"	14 1/8"
14"	14 7/8"	15 5/8"	18 5/8"	3 3/8"	4"	7 3/8"	2 5/8"	2 3/8"	5"	19"	16 1/8"
16"	16 7/8"	17 5/8"	20 5/8"	3 3/8"	4"	7 3/8"	2 5/8"	2 3/8"	5"	21"	18 1/8"
18"	18 7/8"	19 5/8"	22 5/8"	3 3/8"	4"	7 3/8"	2 5/8"	2 3/8"	5"	23"	20 1/8"
20"	20 7/8"	21 5/8"	24 5/8"	3 3/8"	4"	7 3/8"	2 5/8"	2 3/8"	5"	25"	22 1/8"
22"	22 7/8"	23 5/8"	26 5/8"	3 3/8"	4"	7 3/8"	2 5/8"	2 3/8"	5"	27"	24 1/8"
24"	24 7/8"	25 5/8"	28 5/8"	3 3/8"	4"	7 3/8"	2 5/8"	2 3/8"	5"	29"	26 1/8"

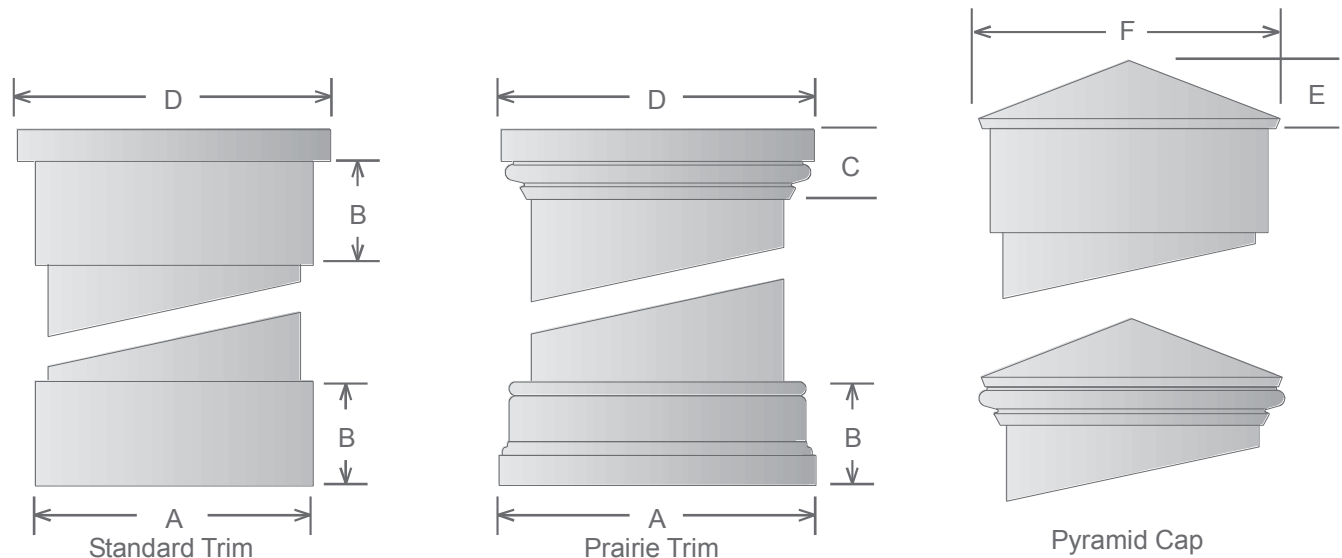
\* Since the cap/base wrap the column, we manufacture them based on inside widths. Due to fit tolerances and material thickness variances, net widths may be up to 1/8" larger than shown.

# ENDURA-CRAFT CRAFTSMAN CAP/BASE

## PEDESTAL / NEWEL TRIM KIT STYLES

The Trim Kits for non-tapered Craftsman Series pedestals consist of a mitered wrap or a molding, with a 1" thick top platform. For pedestals, the top platform has the same "V" cut as the tapered cap/base platforms. The top platform is shipped without the "V" cut when used for a newel post. Another newel post option, the pyramid cap, may be substituted for the top platform.

For non-standard shaft sizes, the widths of the trim kits will adjusted accordingly. The heights however will remain the same. The height of the Standard Trim (B) may be changed at the customer's request. When considering the space requirements to wrap the load support, the inside width of the pedestal shaft is the specification which would be applicable. See the Pedestal / Newel specifications page for inside widths, shaft sizes, and styles available.



Pedestal / Newel Trim Kit Specifications								
Column Nominal Width	Standard Trim		Prairie Trim			Platform	Pyramid Cap	
	Width (A)	Height (B)	Base Width (A)	Base Height (B)	Top Height (C)	Top Width† (D)	Cap Height ± 1/16" (E)	Cap Width (F)
6"	6 7/8"	3 1/4"	8 1/8"	3 1/4"	2 1/8"	7 5/8"	2 1/16"	7 7/8"
8"	8 7/8"	3 1/4"	10 1/8"	3 1/4"	2 1/8"	9 5/8"	2 1/2"	9 7/8"
10"	10 7/8"	3 1/4"	12 1/8"	3 1/4"	2 1/8"	11 5/8"	2 7/8"	11 7/8"
12"	12 7/8"	3 1/4"	14 1/8"	3 1/4"	2 1/8"	13 5/8"	3 1/4"	13 7/8"
14"	14 7/8"	3 1/4"	16 1/8"	3 1/4"	2 1/8"	15 5/8"	3 5/8"	15 7/8"
16"	16 7/8"	3 1/4"	18 1/8"	3 1/4"	2 1/8"	17 5/8"	4"	17 7/8"
18"	18 7/8"	3 1/4"	20 1/8"	3 1/4"	2 1/8"	19 5/8"	4 3/8"	19 7/8"
20"	20 7/8"	3 1/4"	22 1/8"	3 1/4"	2 1/8"	21 5/8"	4 13/16"	21 7/8"
22"	22 7/8"	3 1/4"	24 1/8"	3 1/4"	2 1/8"	23 5/8"	5 3/16"	23 7/8"
24"	24 7/8"	3 1/4"	26 1/8"	3 1/4"	2 1/8"	25 5/8"	5 9/16"	25 7/8"
26"	26 7/8"	3 1/4"	28 1/8"	3 1/4"	2 1/8"	27 5/8"	6 5/16"	27 7/8"
28"	28 7/8"	3 1/4"	30 1/8"	3 1/4"	2 1/8"	29 5/8"	6 3/8"	29 7/8"
30"	30 7/8"	3 1/4"	32 1/8"	3 1/4"	2 1/8"	31 5/8"	6 3/4"	31 7/8"

† Platform widths apply to pedestals and newels, unless the newel is using the pyramid cap.



# ENDURA-CRAFT CRAFTSMAN ORNAMENTAL CAPITALS

Designed with crisp, true architectural detail, Ornamental Capitals artfully capture natural themes and images. Capitals for square non-tapered Endura-Craft Craftsman columns are crafted from poly/resin, and will ship split in half (to reassemble around the load support). Each style is proportionally scaled for the width of the shaft. The Empire with Necking, Greek Erectheum with Necking, Modern Composite, Roman Corinthian, Roman Doric Ornamental, and Temple of Winds capitals will fit more accurately when the optional neck molding is included (see photos below). Since the shafts will be manufactured to be correct with the selected capital, there is no need to worry about a height adjustment value with PVC columns. Larger sizes may be available—please contact us for assistance.



## EMPIRE

Column Size	Capital Height	Abacus Width	Scroll Width
6"	3 3/4"	10"	9"
8"	5 1/4"	13 1/2"	12 1/4"
10"	6 1/4"	18"	17"
12"	7 1/4"	20 1/4"	19 1/2"

Column Size	Capital Height	Abacus Width	Scroll Width
14"	8 3/4"	23"	19 1/2"
16"	10"	32"	26 1/4"
18"	11 1/4"	34"	28"
20"	12 3/4"	35 1/2"	35"



## EMPIRE WITH NECKING

Column Size	Capital Height	Abacus Width	Scroll Width
6"	7 3/4"	10"	9"
8"	10"	13 1/2"	12 1/4"
10"	11"	18"	17"
12"	14 1/2"	20 1/2"	19 1/2"

Column Size	Capital Height	Abacus Width	Scroll Width
14"	17"	23"	19 1/2"
16"	N/A		
18"	N/A		
20"	19"	35 1/2"	35"



## GREEK ANGULAR IONIC

Column Size	Capital Height	Abacus Width	Scroll Width
6"	N/A		
8"	5 1/8"	14 1/4"	13 3/4"
10"	6"	17 1/4"	17"
12"	7 1/4"	20 3/4"	19 1/4"

Column Size	Capital Height	Abacus Width	Scroll Width
14"	8 3/8"	20 1/2"	19 1/2"
16"	9 3/4"	24 1/4"	19 3/4"
18"	N/A		
20"	12 3/4"	35"	34 1/2"



## GREEK ERECTHEUM

Column Size	Capital Height	Abacus Width	Scroll Width
6"	3 3/4"	7 3/4"	11 3/4"
8"	5 1/4"	10 1/2"	15"
10"	6 1/4"	14 1/2"	21"
12"	6 3/4"	15"	20 1/2"

Column Size	Capital Height	Abacus Width	Scroll Width
14"	9"	17 1/2"	26"
16"	10"	22 1/2"	29"
18"	11"	26"	36"
20"	13"	30 1/2"	43"



## GREEK ERECTHEUM WITH NECKING

Column Size	Capital Height	Abacus Width	Scroll Width
6"	5 3/4"	7 3/4"	11 3/4"
8"	7 1/2"	10 1/2"	15"
10"	9 1/2"	14 1/2"	21"
12"	11 1/4"	15"	21"

Column Size	Capital Height	Abacus Width	Scroll Width
14"	13 1/2"	17 1/2"	26"
16"	15"	22 1/2"	29"
18"	17"	26"	36"
20"	19"	30 1/2"	43"

## ENDURA-STONE CRAFTSMAN ORNAMENTAL CAPITALS (CONT'D)



### MODERN COMPOSITE

Column Size	Capital Height	Abacus Width	Scroll Width
6"	8 1/2"	10 3/4"	N/A
8"	11 1/2"	16 1/2"	N/A
10"	14 1/2"	19"	N/A
12"	17"	20"	N/A

Column Size	Capital Height	Abacus Width	Scroll Width
14"	N/A		
16"	22 1/2"	25"	N/A
18"	N/A		
20"	N/A		



### ROMAN CORINTHIAN

Column Size	Capital Height	Abacus Width	Scroll Width
6"	8 1/2"	12"	N/A
8"	12"	15"	N/A
10"	14 1/2"	18 1/2"	N/A
12"	17"	22"	N/A

Column Size	Capital Height	Abacus Width	Scroll Width
14"	20"	27"	N/A
16"	23"	32 1/2"	N/A
18"	25 1/2"	39"	N/A
20"	28 1/2"	42"	N/A



### ROMAN DORIC ORNAMENTAL

Column Size	Capital Height	Abacus Width	Scroll Width
6"	4 1/2"	10 1/2"	N/A
8"	6"	14 1/4"	N/A
10"	7"	16 1/4"	N/A
12"	9"	21"	N/A

Column Size	Capital Height	Abacus Width	Scroll Width
14"	10 1/2"	24"	N/A
16"	12 1/2"	28"	N/A
18"	N/A		
20"	N/A		



### ROMAN IONIC

Column Size	Capital Height	Abacus Width	Scroll Width
6"	3"	8 1/4"	10 1/2"
8"	3 5/8"	10 1/2"	13 1/2"
10"	4 1/2"	12 1/2"	16 1/2"
12"	5 1/2"	17 1/2"	23"

Column Size	Capital Height	Abacus Width	Scroll Width
14"	N/A		
16"	6 1/2"	20"	24 1/4"
18"	8 3/4"	25"	31 3/4"
20"	9"	25 1/4"	33"



### SCAMOZZI

Column Size	Capital Height	Abacus Width	Scroll Width
6"	2 7/8"	10"	8"
8"	3 1/2"	11"	9 3/8"
10"	4 7/8"	16 3/4"	14"
12"	5 1/2"	19"	16 3/4"

Column Size	Capital Height	Abacus Width	Scroll Width
14"	6 1/4"	22 1/4"	18 1/2"
16"	7 1/2"	25"	20 1/4"
18"	8 3/4"	26"	21 1/2"
20"	10 1/4"	34 1/4"	29 1/2"



### TEMPLE OF WINDS

Column Size	Capital Height	Abacus Width	Scroll Width
6"	7 1/2"	10 1/2"	N/A
8"	10"	13 7/8"	N/A
10"	11 5/8"	16 7/8"	N/A
12"	16"	19"	N/A

Column Size	Capital Height	Abacus Width	Scroll Width
14"	16"	23"	N/A
16"	18 1/8"	26 3/4"	N/A
18"	21 1/2"	28"	N/A
20"	23 1/4"	34 1/2"	N/A