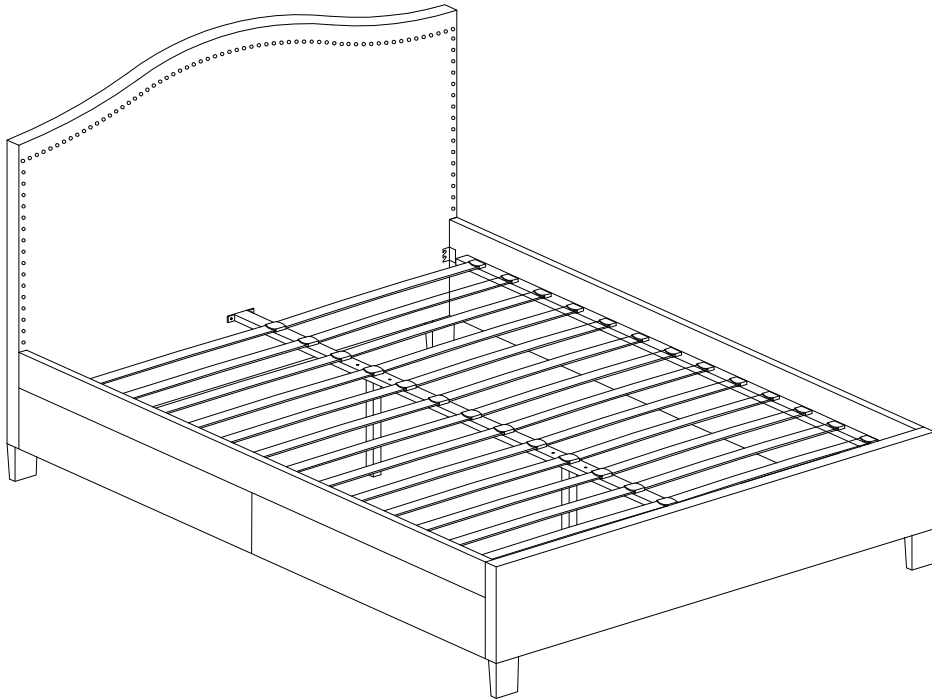
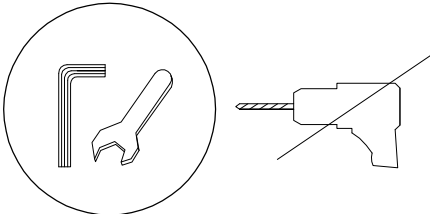
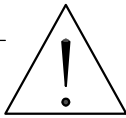
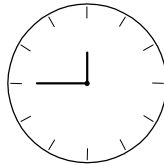
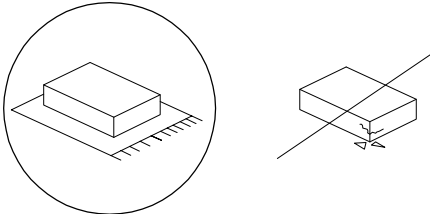
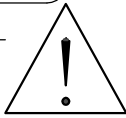
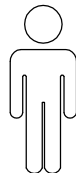
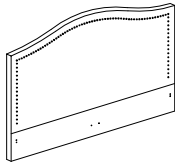
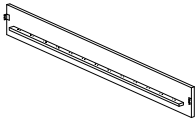
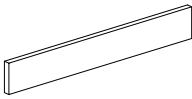
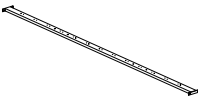
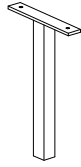

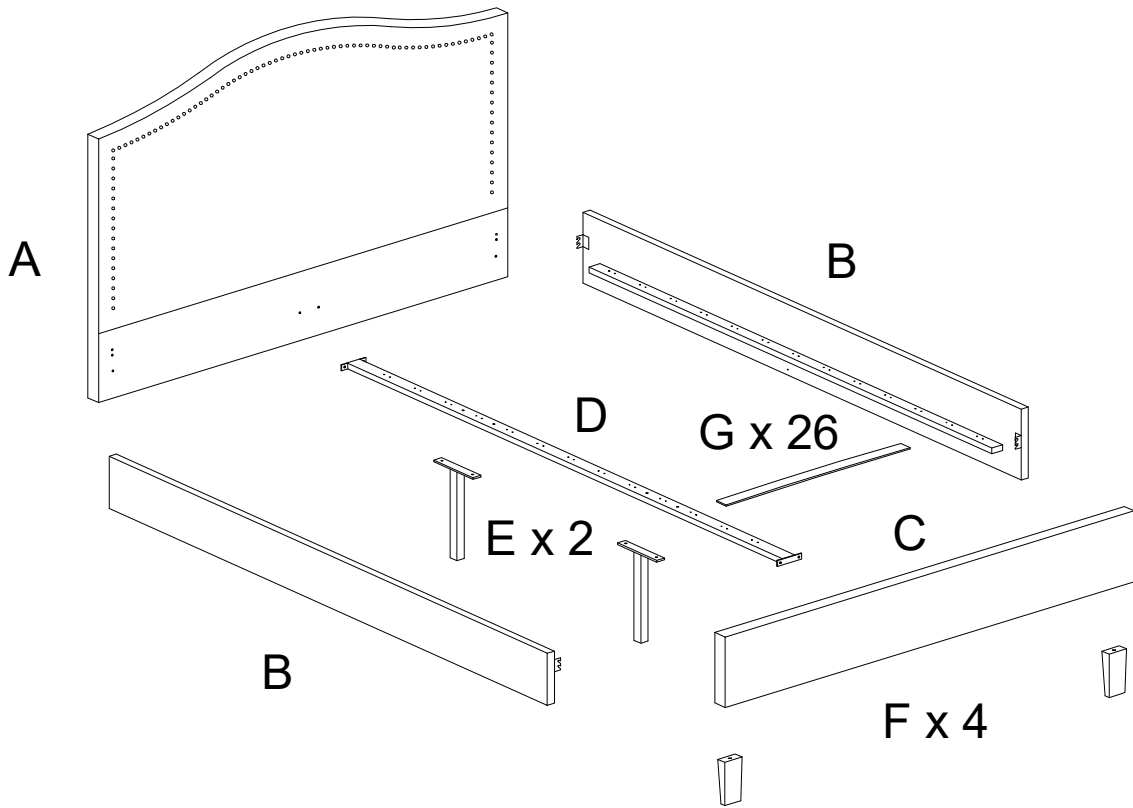



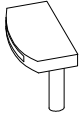
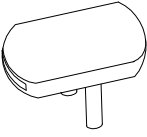
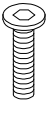
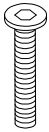
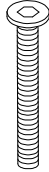
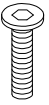
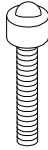
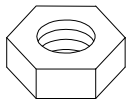
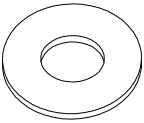
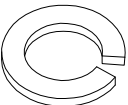

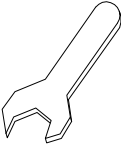
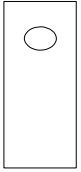
A



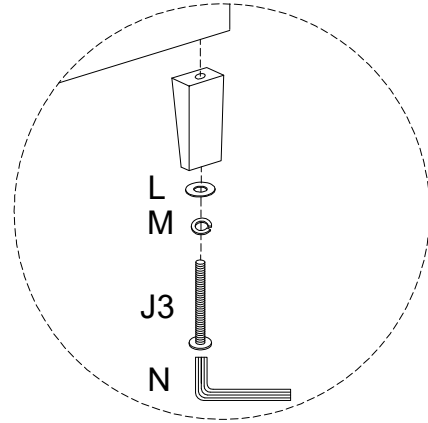
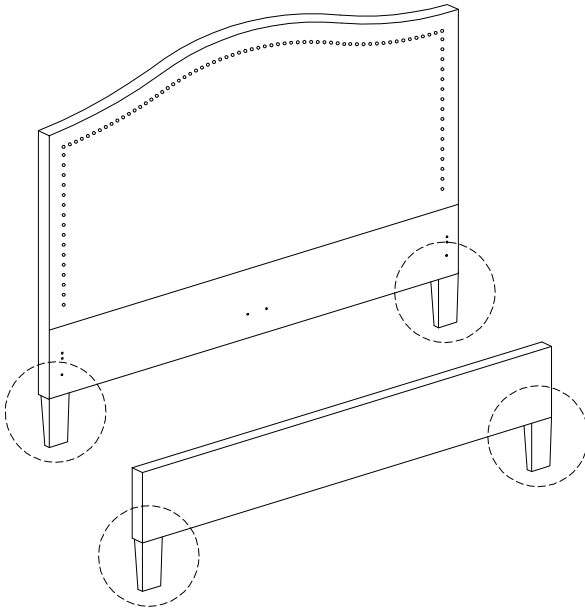
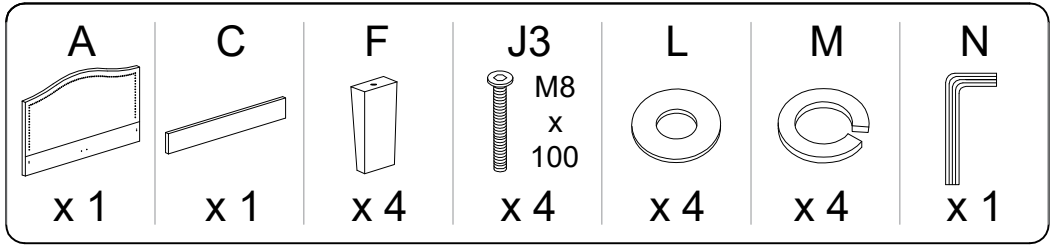
		
		45'
		
		2

A	B	C	D	E	F
					
x 1	x 2	x 1	x 1	x 2	x 4

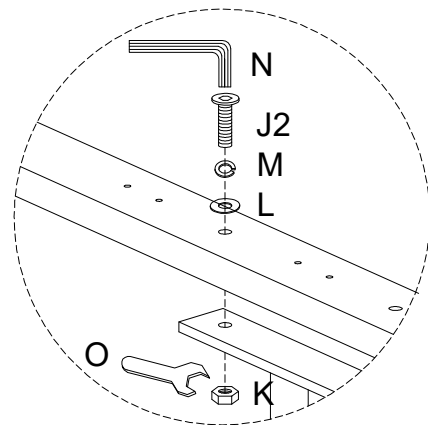
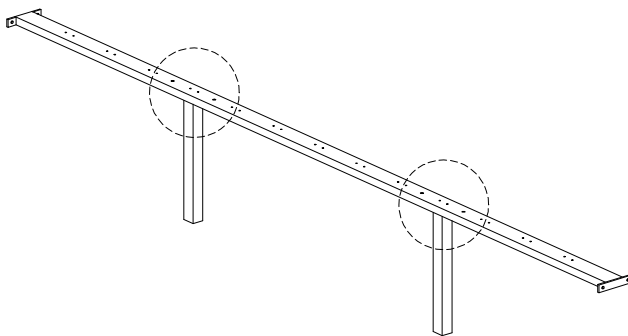
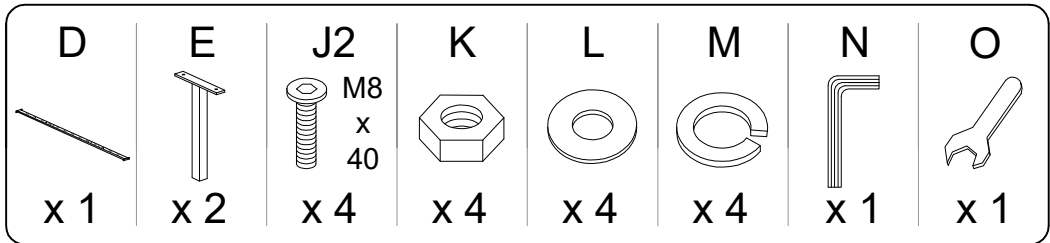


G	H	I	J1	J2	J3	J4
						
x 26	x 26	x 13	x 8	x 8	x 4	x 2
J5	K	L	M	N	O	P
						
x 4	x 4	x 22	x 22	x 1	x 1	x 2

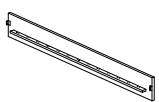
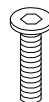
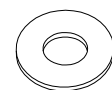


1

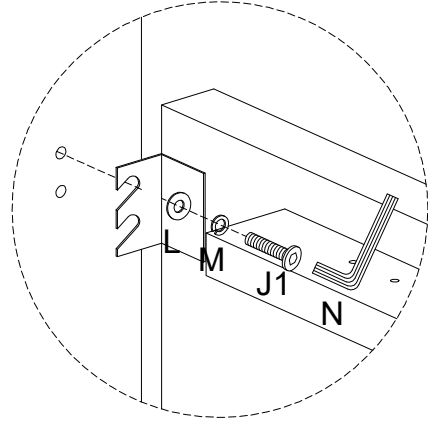
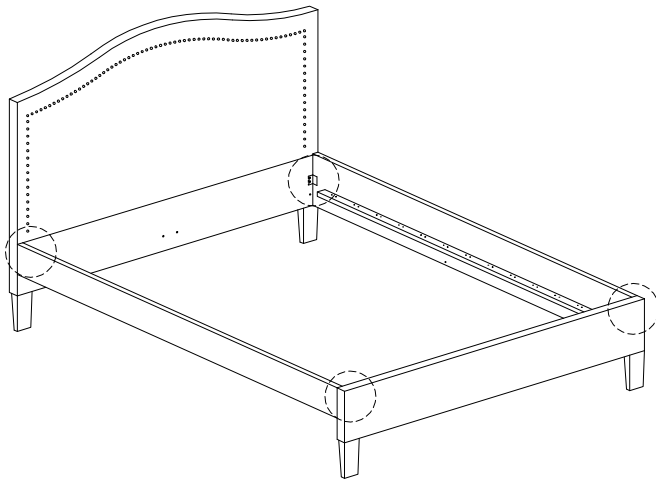


2

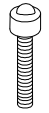


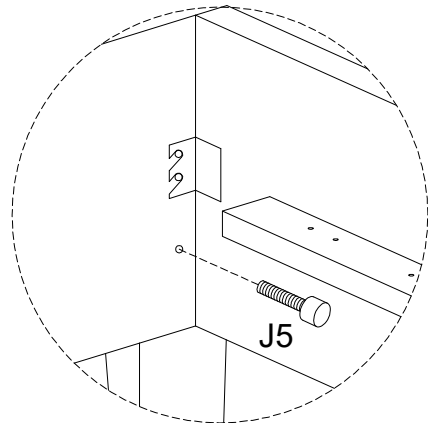
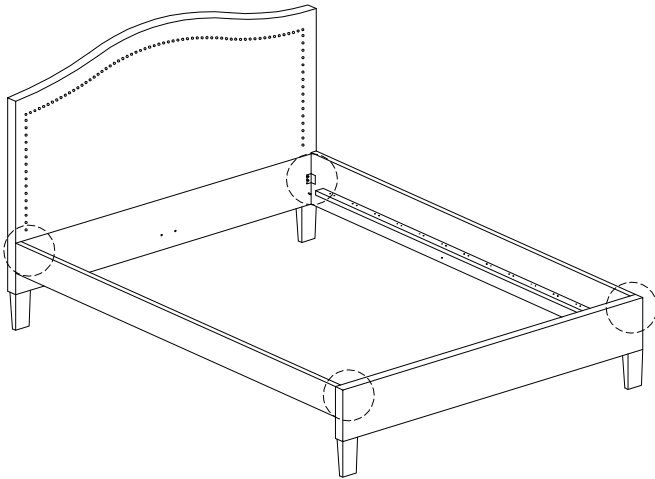
3

B  x 2	J1  M8 x 30 x 8	L  x 8	M  x 8	N  x 1
------------------------------------------------------------------------------------------------------	------------------------------------------------------------------------------------------------------------------	------------------------------------------------------------------------------------------------------	--------------------------------------------------------------------------------------------------------	--------------------------------------------------------------------------------------------------------


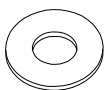

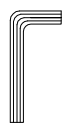



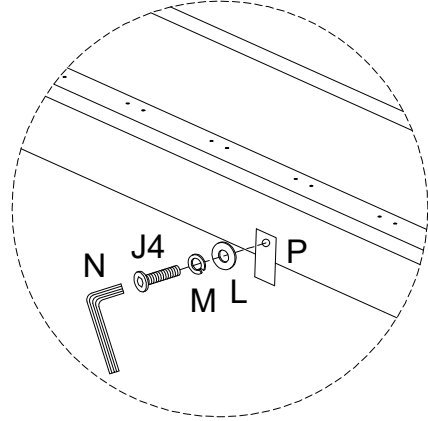
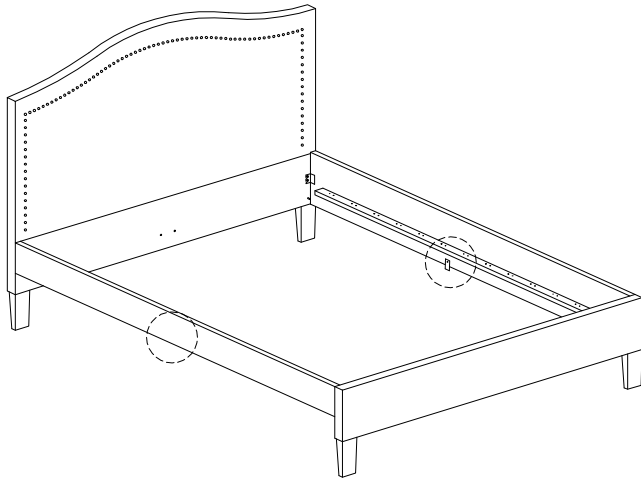
4

J5  M8 x 30 x 4

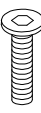
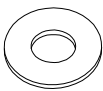
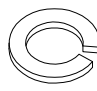
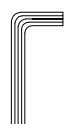


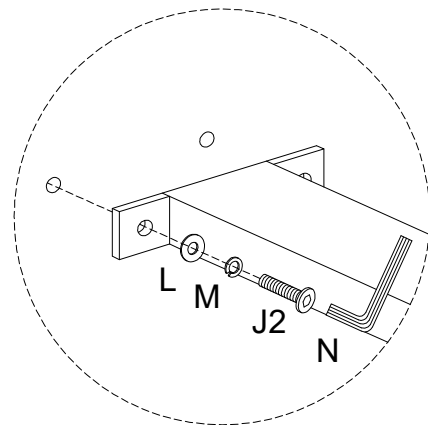
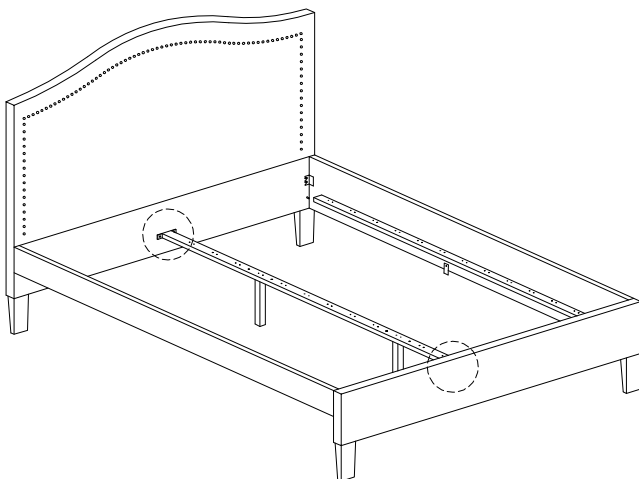
5

J4  M8 x 20 x 2	L  x 2	M  x 2	N  x 1	P  x 2
---------------------------------------------------------------------------------------------------------------------	------------------------------------------------------------------------------------------------------	------------------------------------------------------------------------------------------------------	--------------------------------------------------------------------------------------------------------	--------------------------------------------------------------------------------------------------------

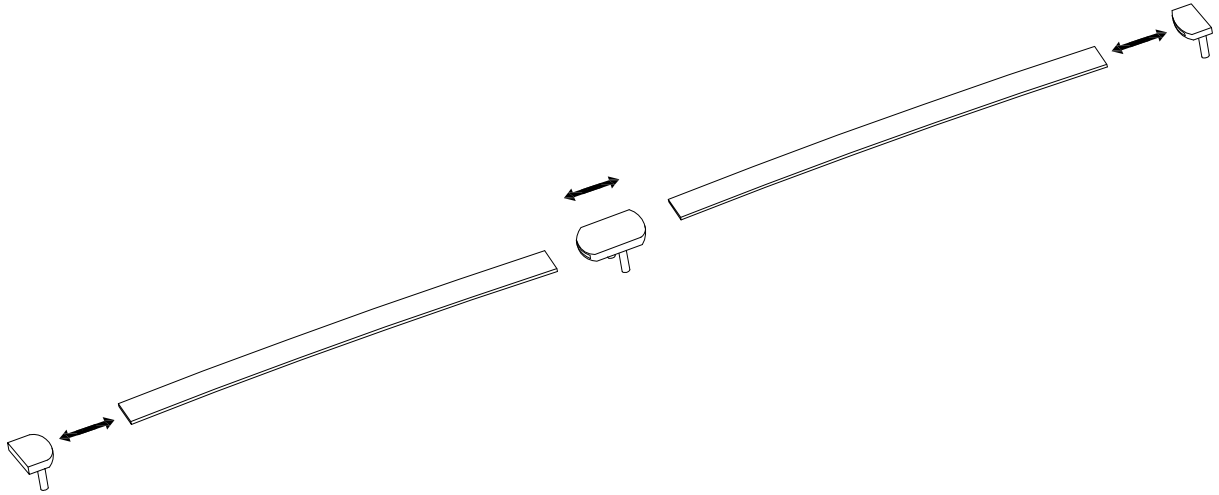
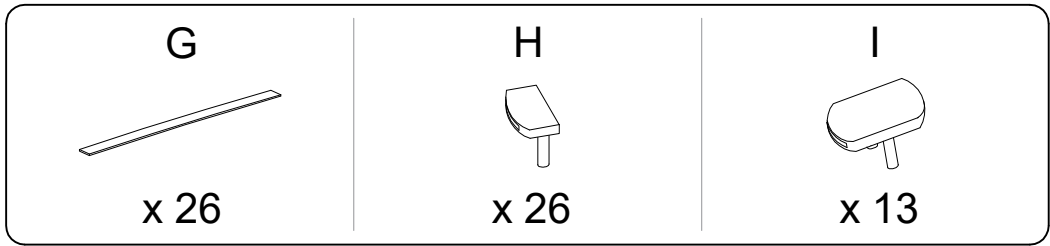


4

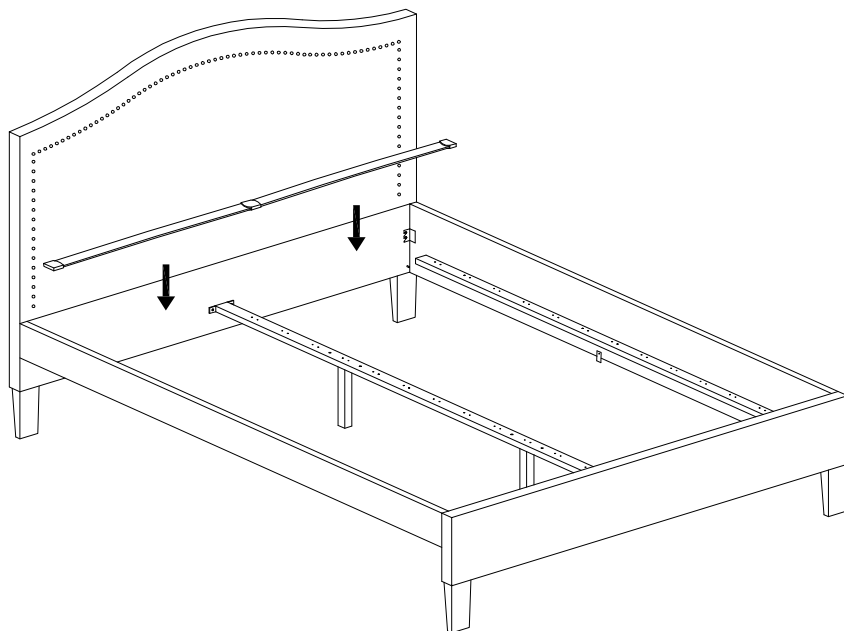
J2  M8 x 30 x 4	L  x 4	M  x 4	N  x 1
-----------------------------------------------------------------------------------------------------------------------	--------------------------------------------------------------------------------------------------------	---------------------------------------------------------------------------------------------------------	----------------------------------------------------------------------------------------------------------



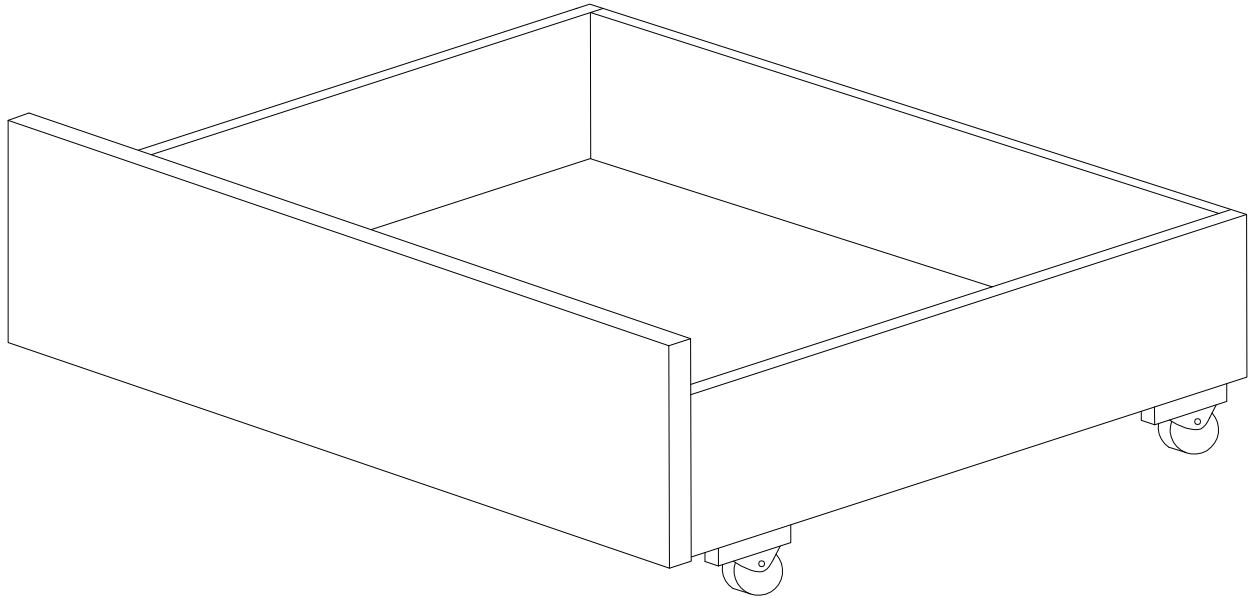
5



6

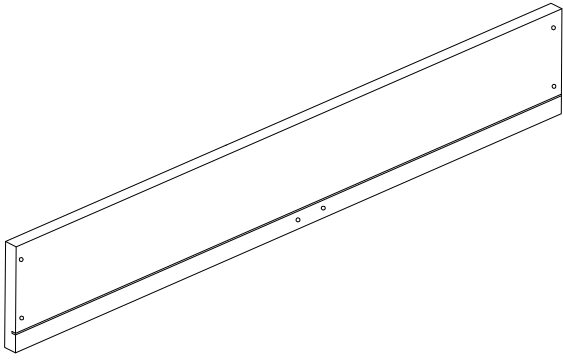


B x 4

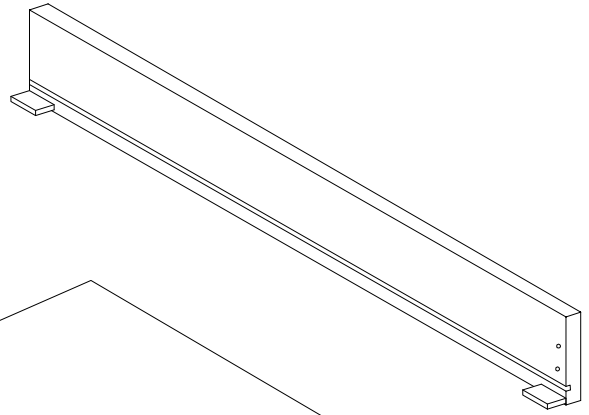


A circular icon containing a screwdriver. To its right is a power drill with a diagonal line through it, indicating it should not be used.	A warning triangle with an exclamation mark inside.	A circular clock face with tick marks around the perimeter and a vertical line for the hour and minute hands.
A circular icon showing a rectangular block being lifted from a mat. To its right is a similar block being lifted from a mat, but with a diagonal line through it, indicating it should not be done that way.	A warning triangle with an exclamation mark inside.	A simple line drawing of a person standing. Below it is the number '2'.

1



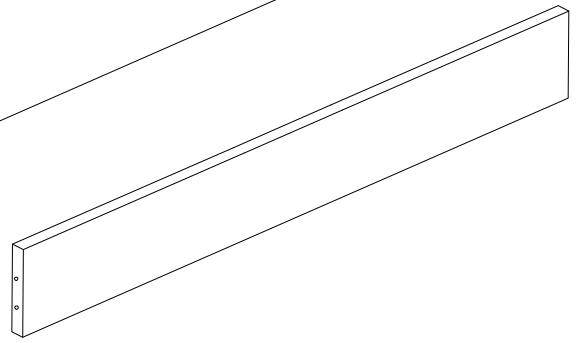
3



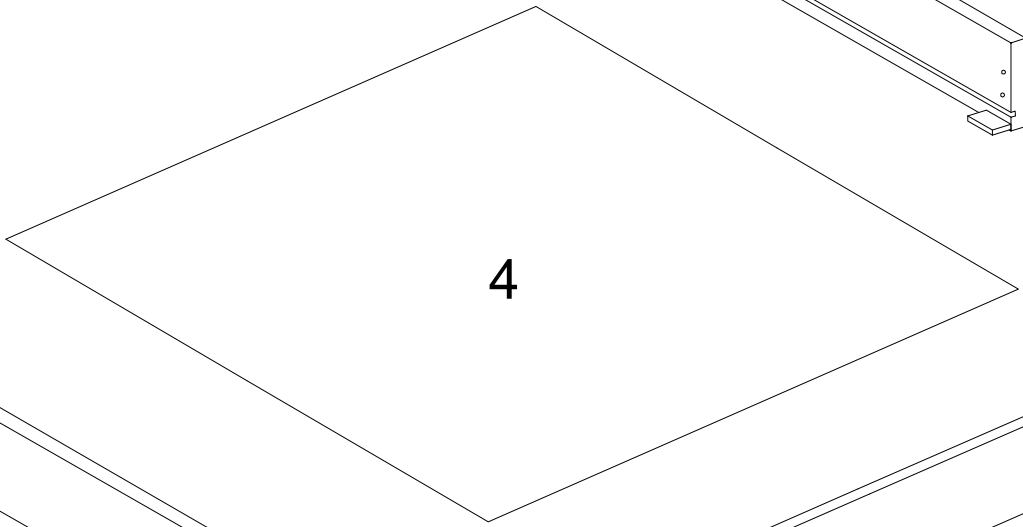
2



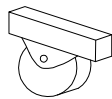
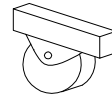
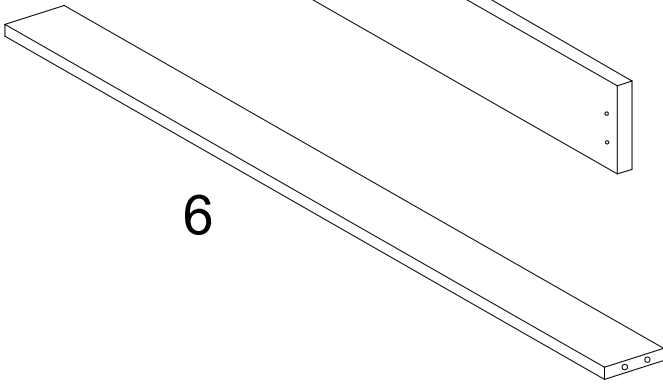
5



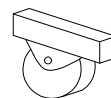
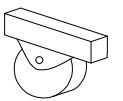
4



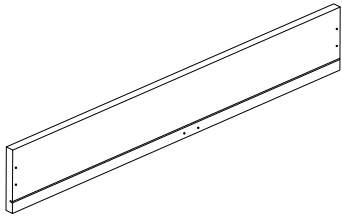
6



B x 4

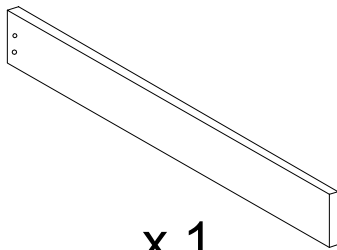


1



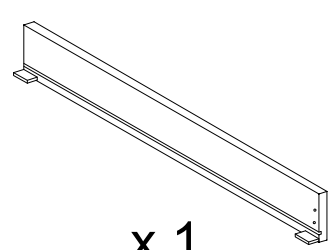
x 1

2



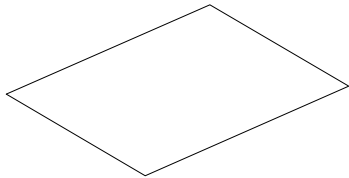
x 1

3



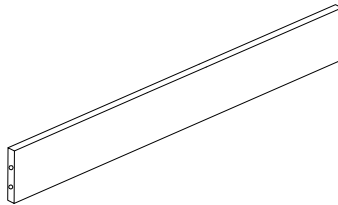
x 1

4



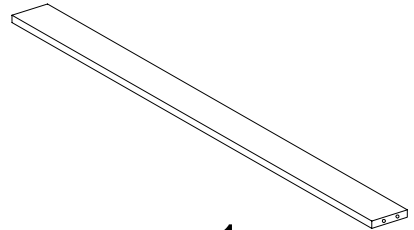
x 1

5



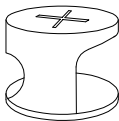
x 1

6



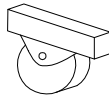
x 1

A



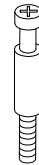
x 8

B



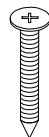
x 4

C



x 8

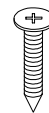
D



M4
x
30

x 4

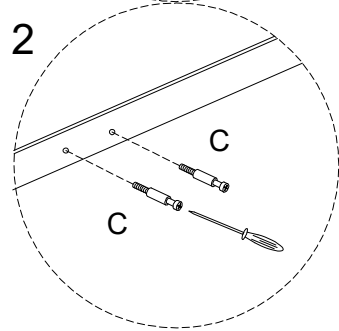
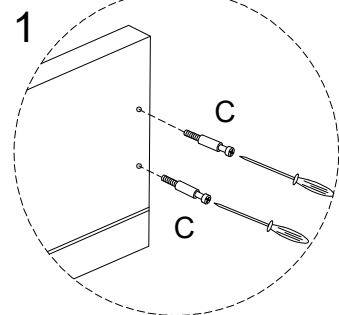
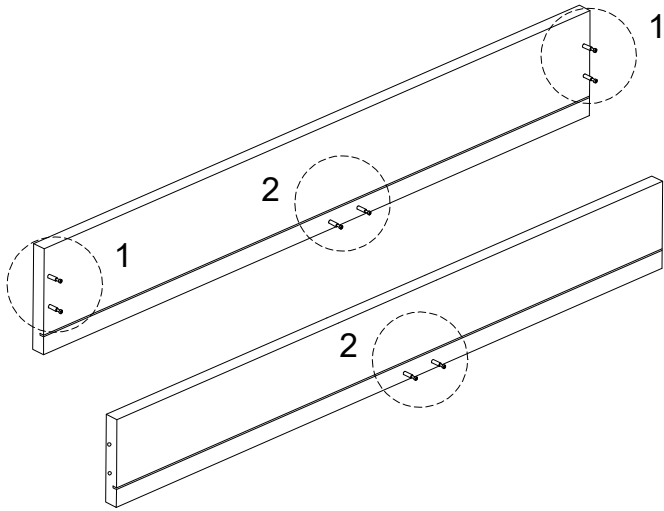
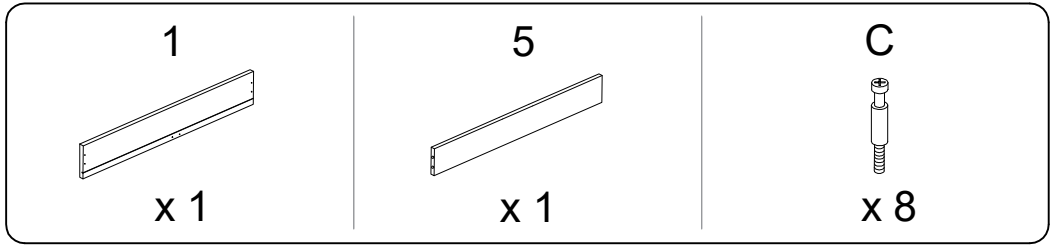
E



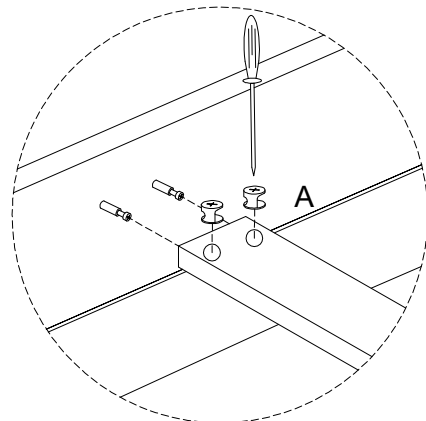
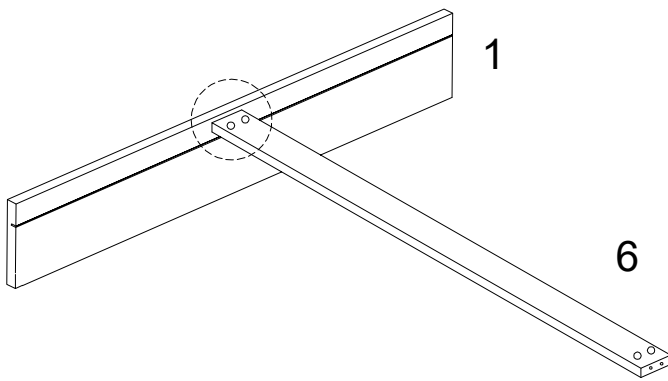
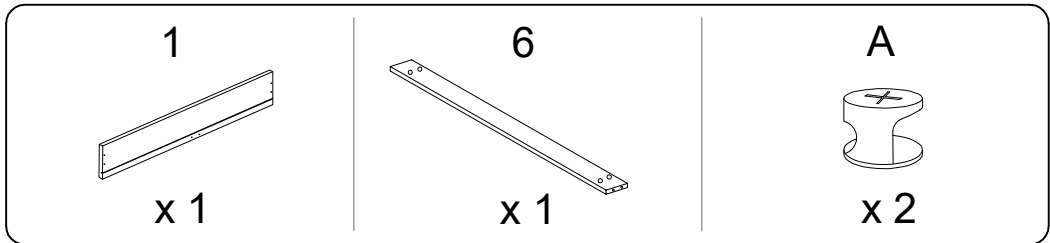
M4
x
15

x 16

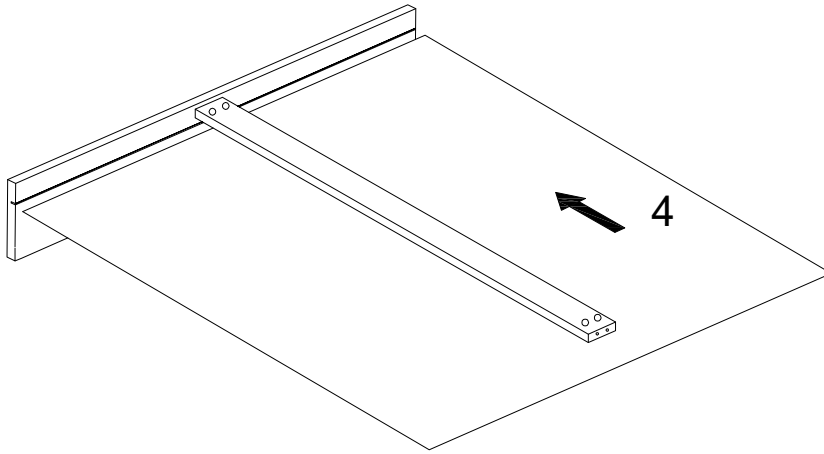
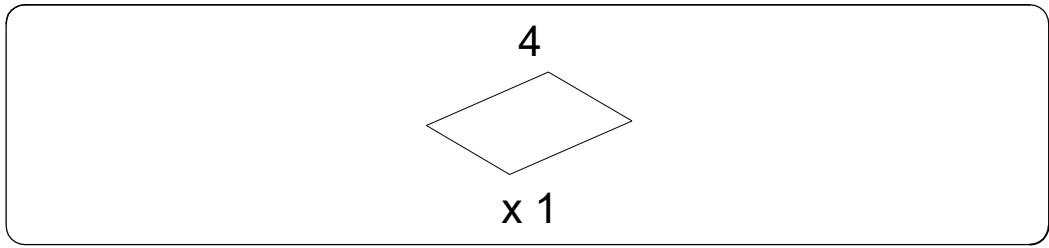
1



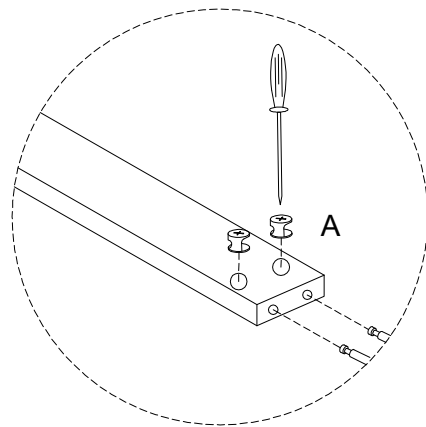
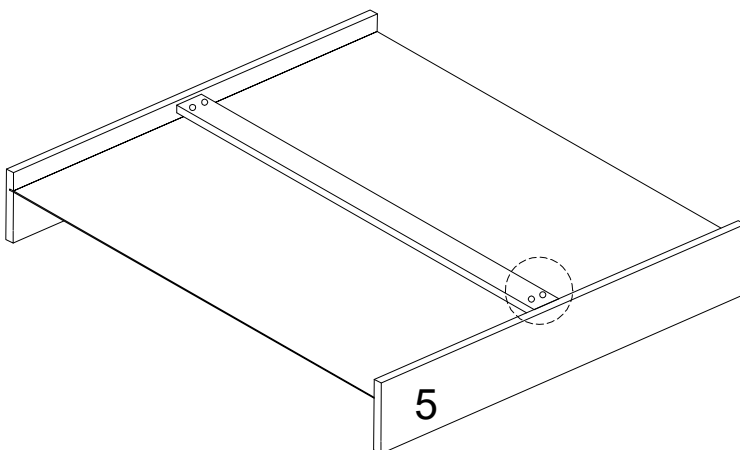
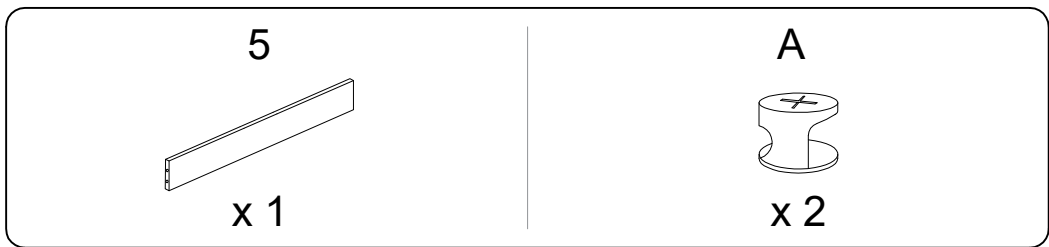
2



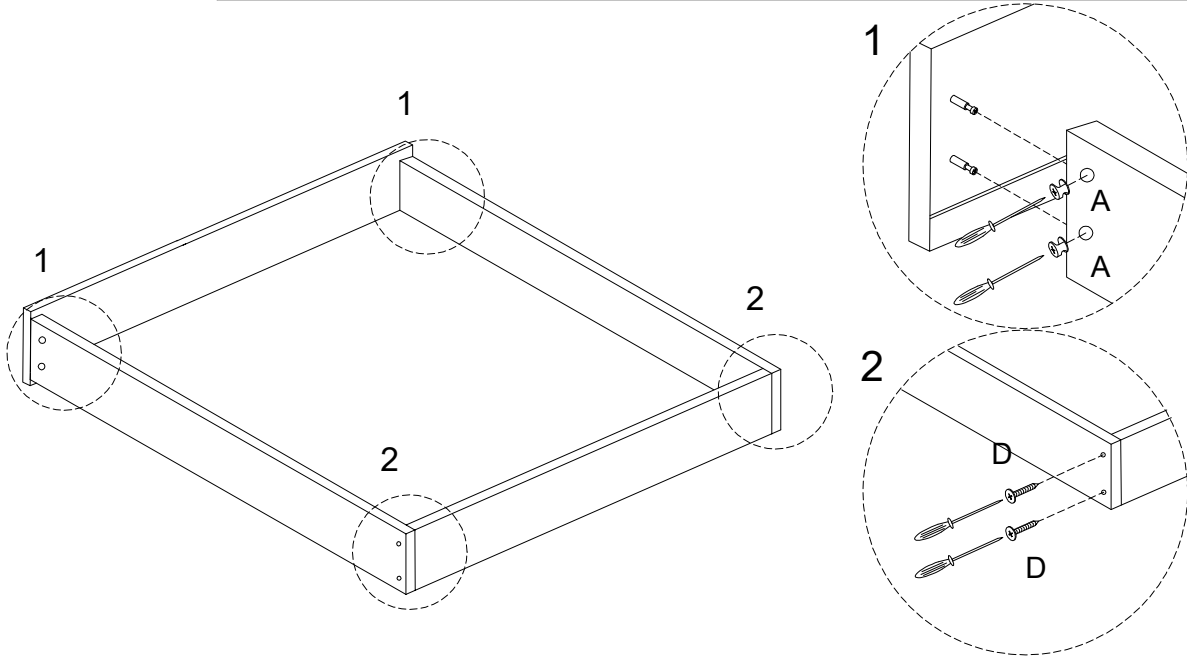
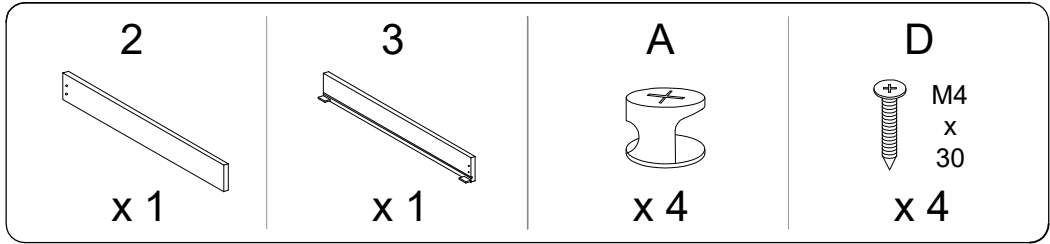
3



4



5



6

