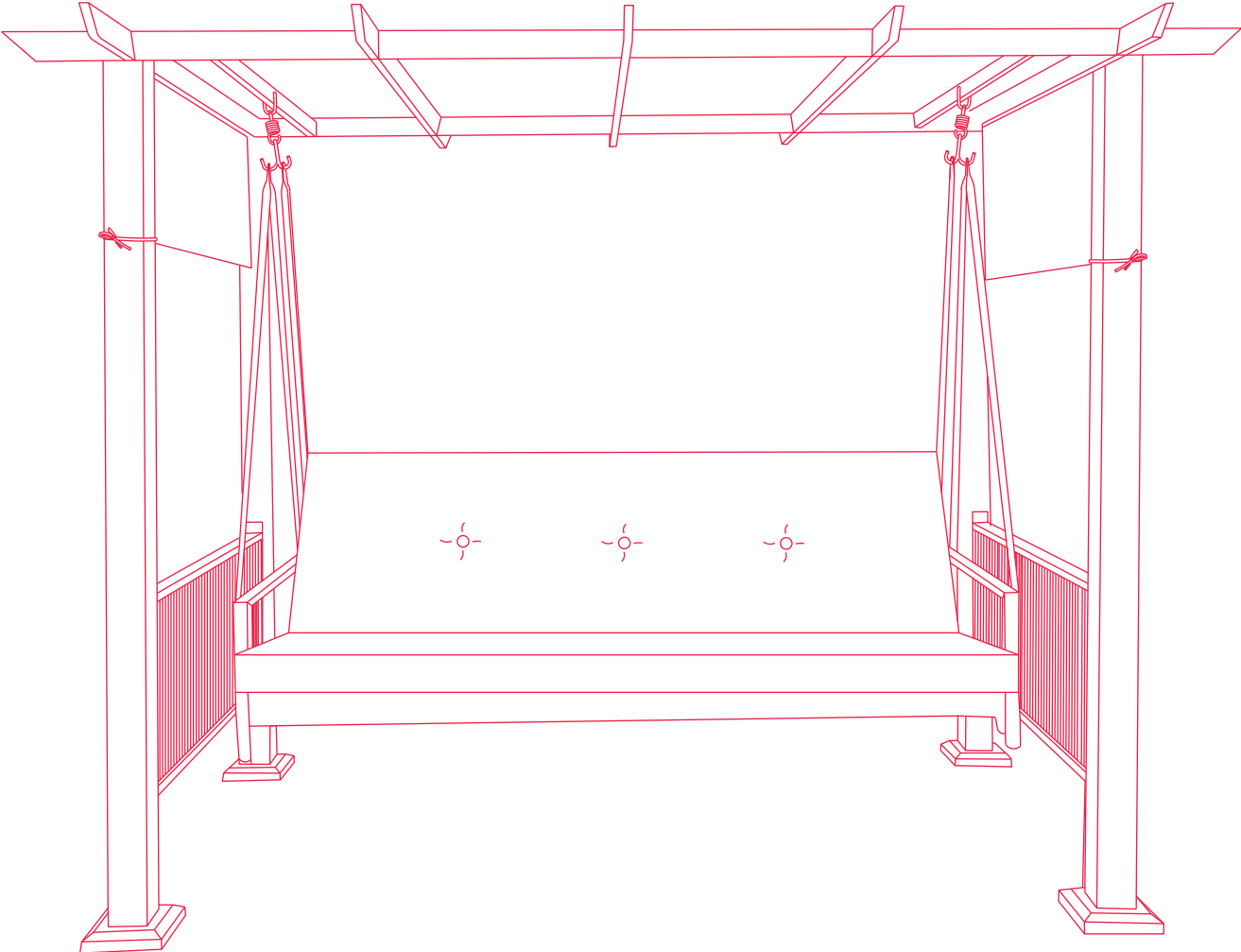


Please refer to this manual for the most updated product assembly instructions.

Outdoor Swing Chair

Thank you very much for purchasing our *outdoor furniture*.

INSTRUCTION MANUAL



CAUTION

Before use

- Please make sure you have received all the TWO packages. If any part is missing, please contact our customer service and we are glad to help.
- Please be careful with your hands when assembling the products as some parts may have sharp edges.
- Before the product is fully assembled, Please ensure that your product, including all its components and accessories, is kept away from children and pets.
- Use the correct bolts as indicated. All bolts shouldn't be tightened until the complete piece is assembled (This will make the assembly process much easier). Once the piece is fully assembled, then go back and tighten all bolts with provided tool.
- Always remove the canopy in heavy wind conditions. Otherwise, the swing may tip over and cause damage to its parts.

During use

- For your safety, please refrain from standing on or using any part of this item as a stepladder.
- Maximum recommended weight for the chair is 750lbs / 340kgs. Please ensure that you do not exceed the weight capacity of this item.
- Please ensure that all bolts, screws, and knobs are securely fastened before using and double-check these components every 90 days.
- Do not use or store this item in the proximity of open flammable/combustible chemicals.
- If any parts are missing, broken, damaged, or worn, please refrain from using this product until repairs are made and/or factory replacement parts are installed.

After use

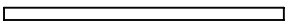
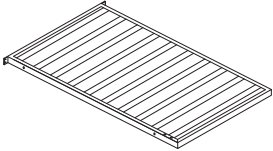
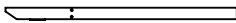
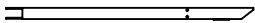

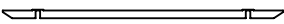
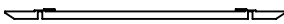

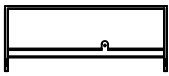
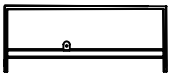

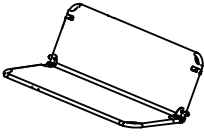

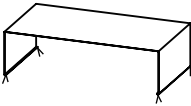
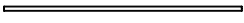
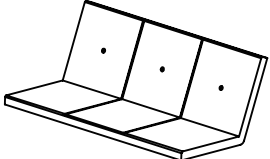
- Before assembling the product, please compare each part with the parts list. If you find any missing or damaged parts, please do not attempt to assemble the product and contact us right away.
- We value every customer's user experience. Please don't hesitate to reach out to us with any suggestions or feedback. We will provide an efficient solution promptly.

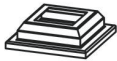

- We recommend using a waterproof furniture cover for the entire swing chair when it is not in use.
- In order to prolong the life and beauty of your swing, we recommend that it be stored in a dry and protected area during off season periods.

Warranty Coverage Requirements:


















- Within 1 year of your purchase, if the appliance fails due to non-human damage, our team will assist you in replacing it free of charge.
- For the fastest solution, please provide us with photos of the damaged parts and the make/model number of your product.

PARTS

<p>A 4 PCS Leg Post</p> 	<p>B 2 PCS Side Panel</p> 	<p>C 2 PCS Top Crossbar</p> 	<p>D 2 PCS Top Crossbar</p> 
<p>E 2 PCS Top Crossbar</p> 	<p>F1 3 PCS Inside Canopy Crossbar</p> 	<p>F2 2 PCS Outside Canopy Crossbar</p> 	<p>G 1 PC Leg Support Bar</p> 
<p>H 1 PC Left Arm</p>  <p>Left</p>	<p>I 1 PC Right Arm</p>  <p>Right</p>	<p>J 2 PCS Rear and Front Connector Bar</p> 	<p>K 1 PC Seat and Back</p> 
<p>L 4 PCS Long Hanging Bar</p>  <p>Long</p>	<p>N 1 PC Canopy</p> 	<p>O 2 PCS Canopy Side Bar</p> 	<p>P 1 PCS Cushion</p> 

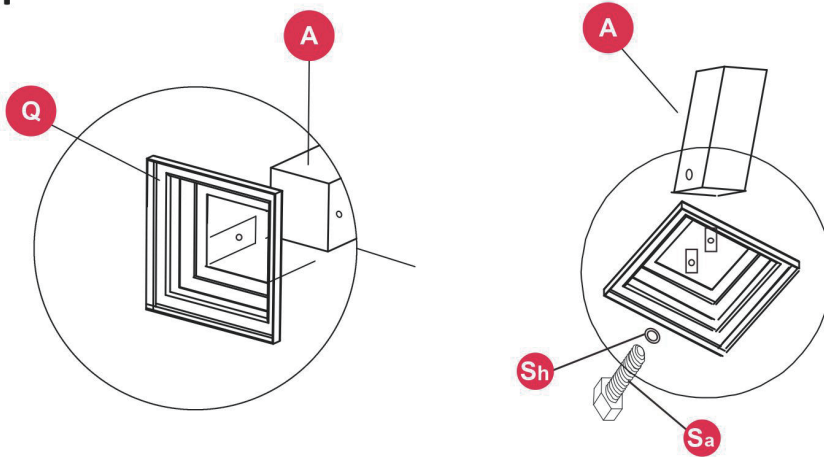
<p>Q 4 PCS Post Base</p> 	<p>R 4 PCS Base Plate</p> 
---	--

HARDWARE

<p>Sa 38 PCS M6 x 15L Bolt</p> 	<p>Sb 8 PCS M8 x 40L Bolt</p> 	<p>Sc 8 PCS M8 x 50L Bolt</p> 	<p>Sd 2 PCS M8 x 55L Bolt</p> 
<p>Sq 8 PCS M8 x 25L Bolt</p> 	<p>Sf 32 PCS Large Locker Washer</p> 	<p>Sg 16 PCS M8 x 15L Bolt</p> 	<p>Sh 28 PCS Small Metal Washer</p> 
<p>Si 10 PCS Large Metal Washer</p> 	<p>Sj 2 PCS Large Nut</p> 	<p>Sk 2 PCS Plastic Washer</p> 	<p>Sl 8 PCS M6 x 12L Bolt</p> 
<p>Sm 16 PCS Lawn Stake</p> 	<p>Sn 2 PCS Spring hook</p> 	<p>So 1 PC Open Hex Wrench</p> 	<p>Sw 2 PC Nut Cover</p> 
<p>Sr 18 PCS Small Locker Washer</p> 			

Instructions

Step 1



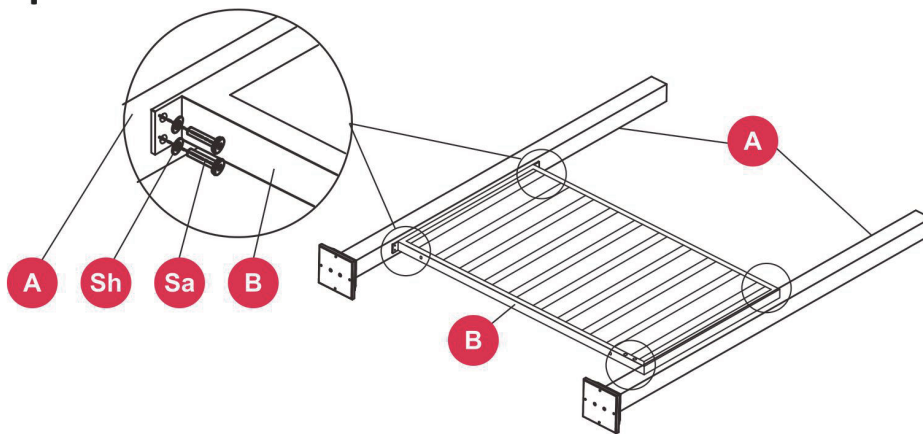
Sh 8 PCS



Sa 8 PCS
M6 x 15L Bolt



Step 2



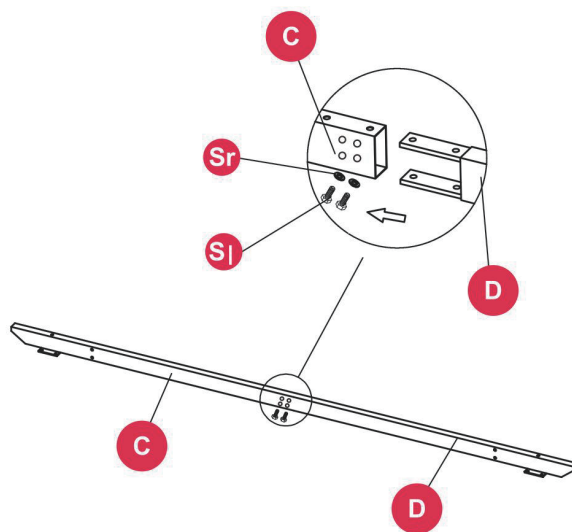
Sa 16 PCS
M6 x 15L Bolt



Sh 16 PCS



Step 3



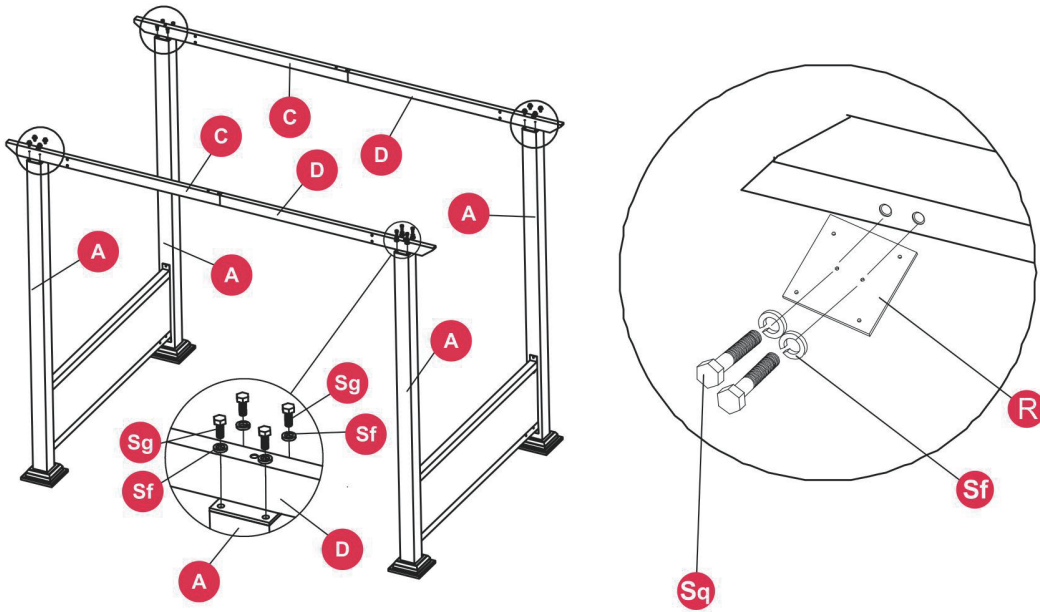
Sl 8 PCS
M6 x 12L Bolt



Sr 8 PCS



Step4



Sf 24 PCS



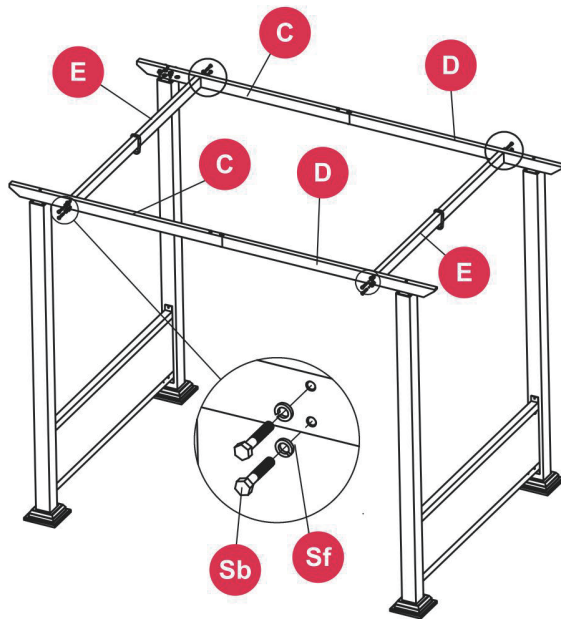
Sg 16 PCS
M8 x 15L Bolt



Sq 8 PCS
M8 x 25L Bolt



Step5



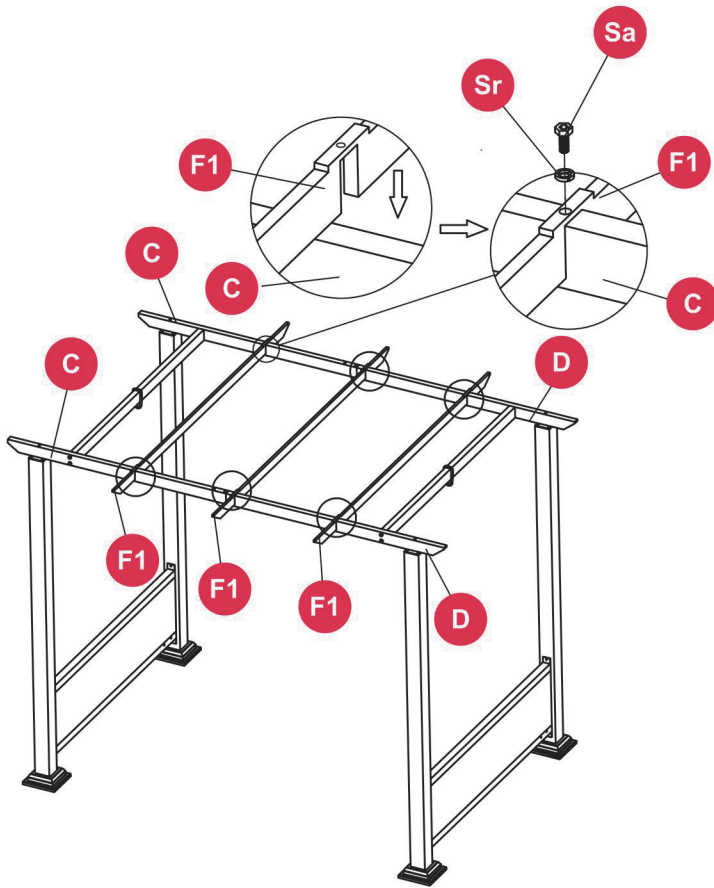
Sb 8 PCS
M8 x 40L Bolt



Sf 8 PCS



Step6



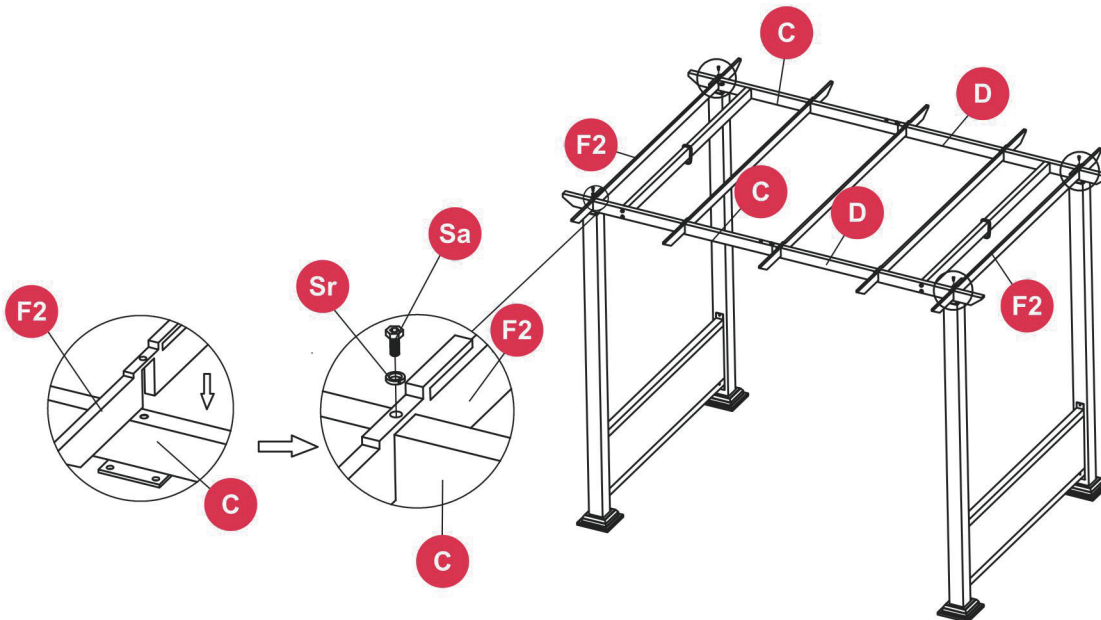
Sa 6 PCS
M6 x 15L Bolt



Sr 6 PCS



Step7



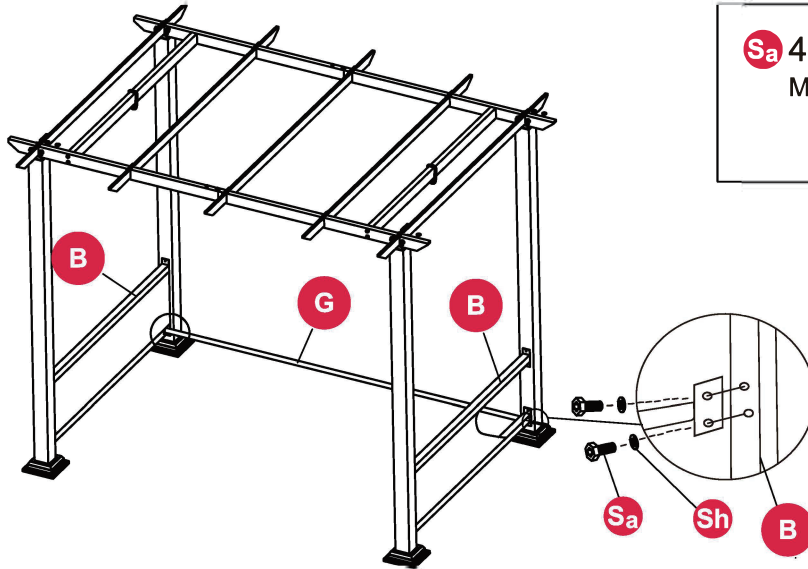
Sa 4 PCS
M6 x 15L Bolt



Sr 4 PCS



Step 8



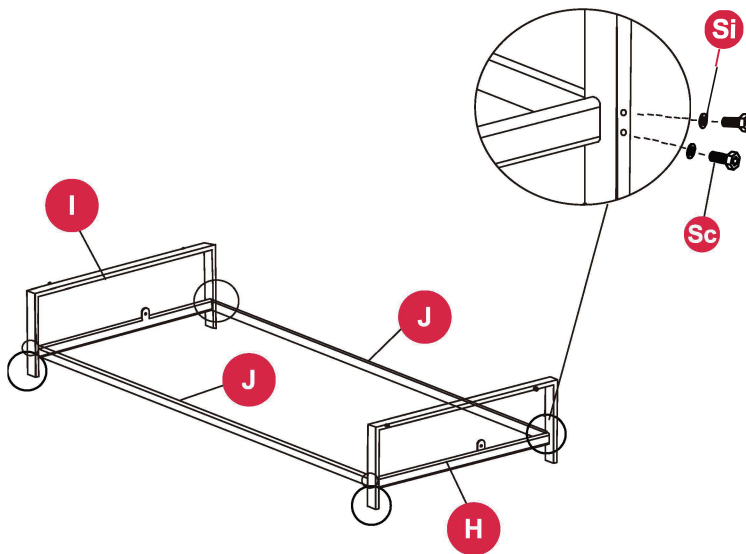
Sa 4 PCS
M6 x 15L Bolt



Sh 4 PCS



Step 9



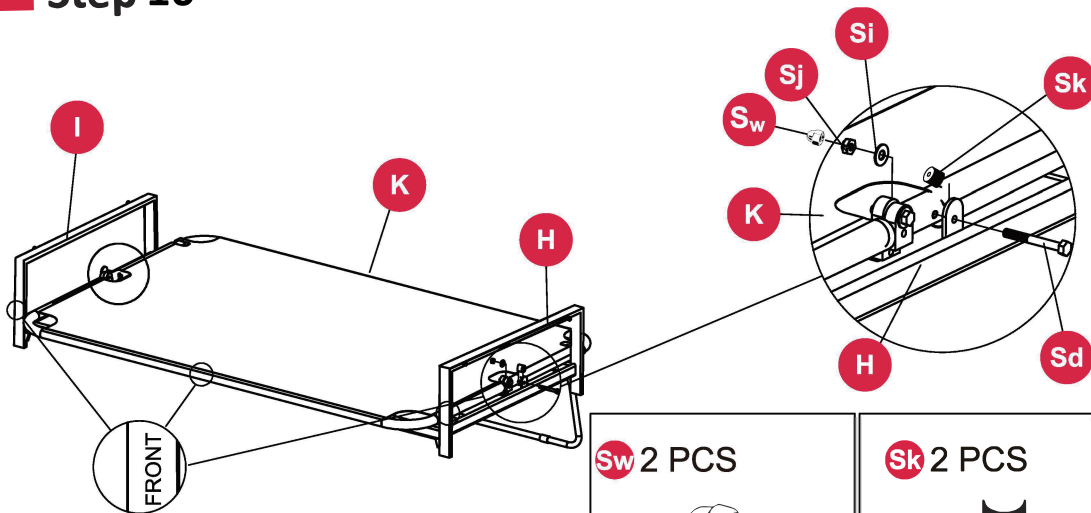
Sc 8 PCS
M8 x 50L Bolt



Si 8 PCS



Step 10



Sd 2 PCS
M8 x 55L Bolt



Si 2 PCS



Sw 2 PCS



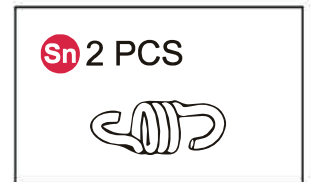
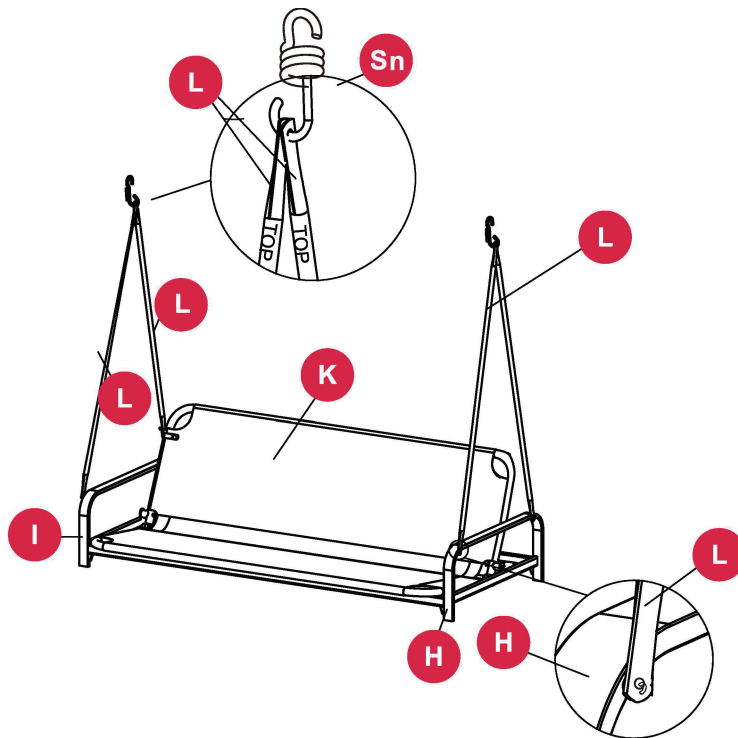
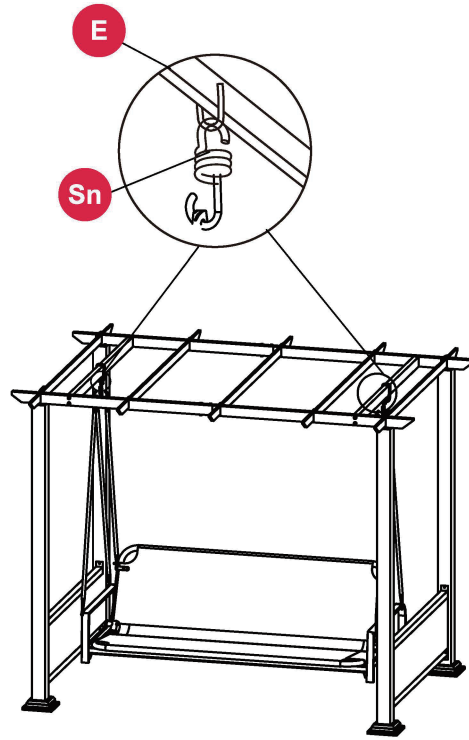
Sk 2 PCS



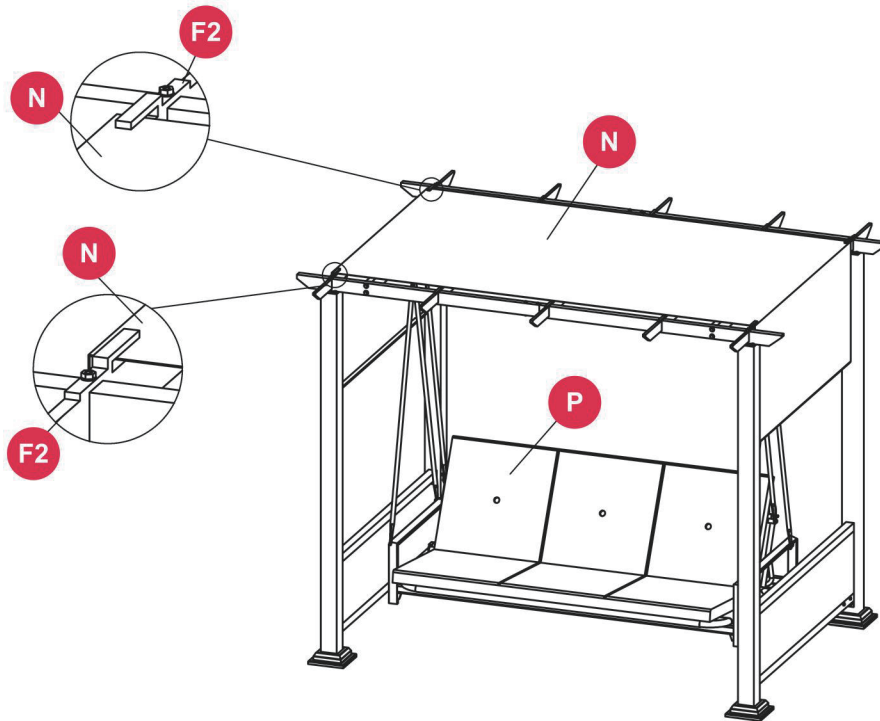
Sj 2 PCS



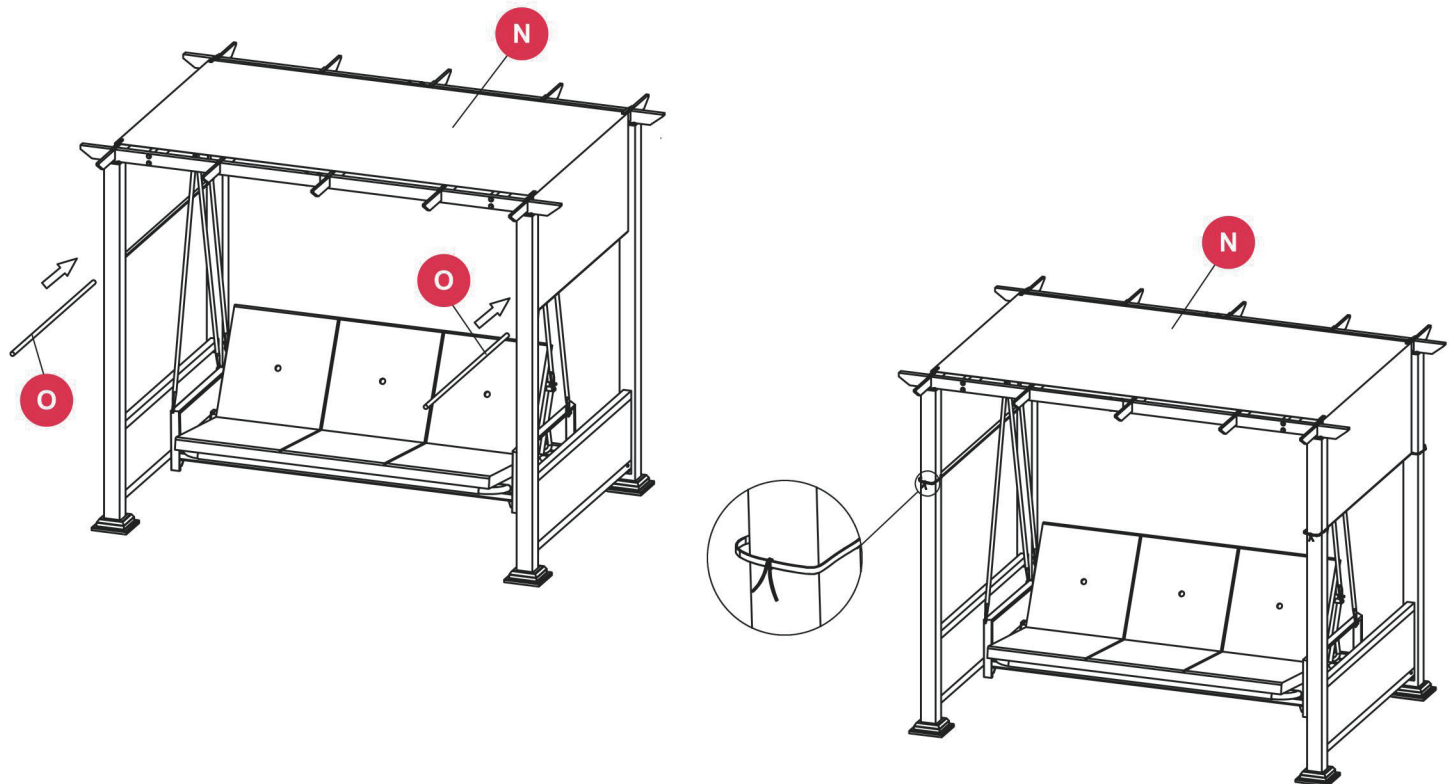
Step 11



Step12

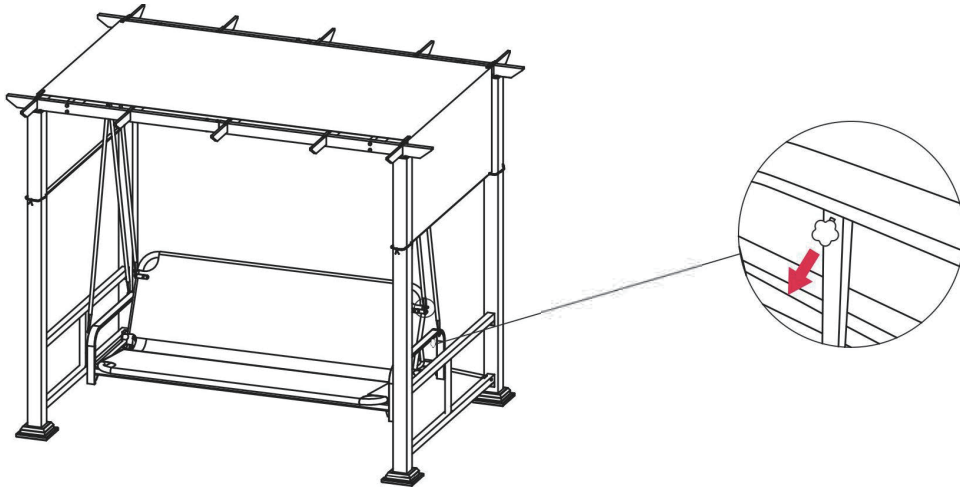


Step13



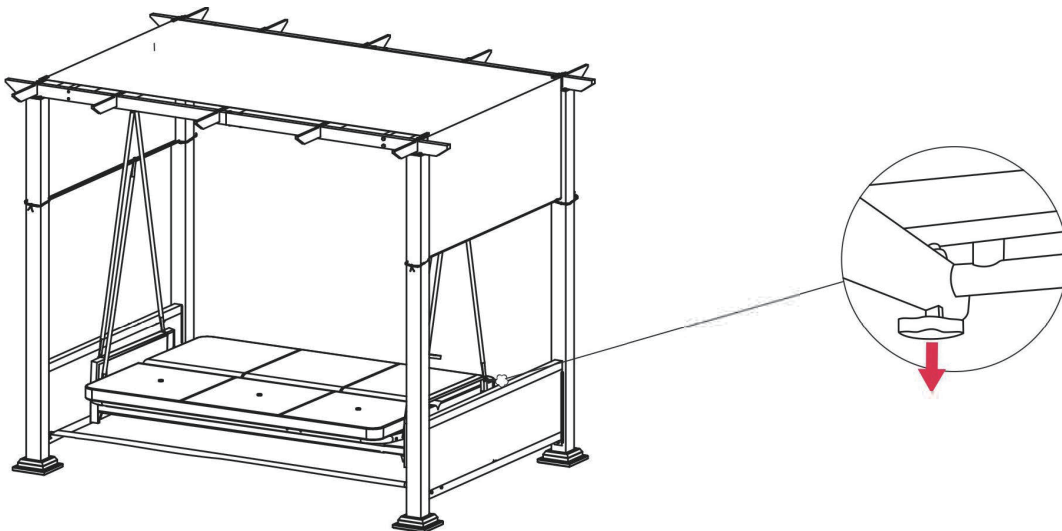
■ Step14

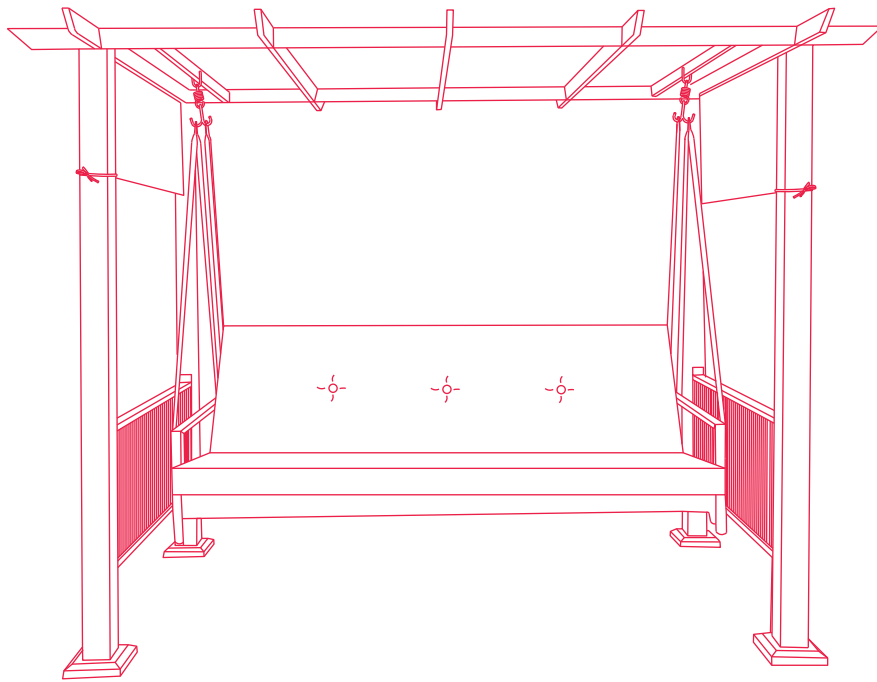
Pull out the blossom wheel and lay down the backrest.



■ Step15

Tighten the blossom wheel.





If you have any questions,
please contact customer service

E-mail: Pamapic@hotmail.com.
Facebook: [@Pamapic.Official](#)

