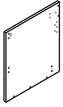
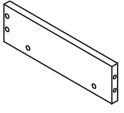
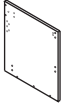
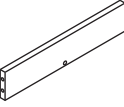
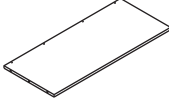
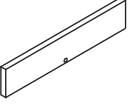
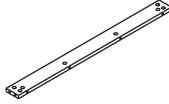
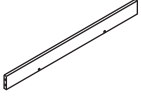
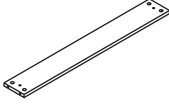
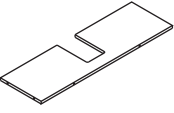
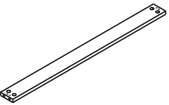
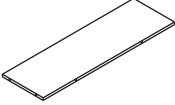
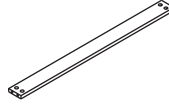
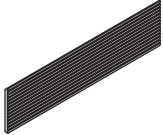
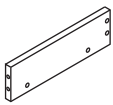
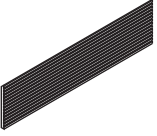

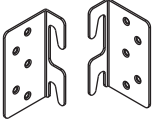

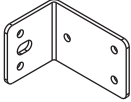

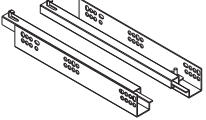
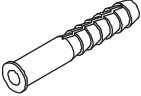
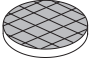

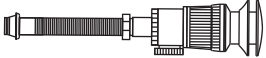
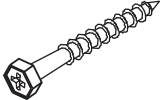
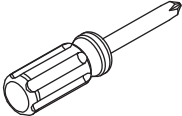
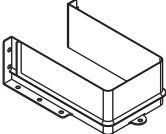



ASSEMBLY INSTRUCTIONS

1		x1	9		x2
2		x1	10		x1
3		x1	11		x1
4		x1	12		x1
5		x1	13		x1
6		x1	14		x1
7		x1	15		x1
8		x2	16		x1

ASSEMBLY INSTRUCTIONS

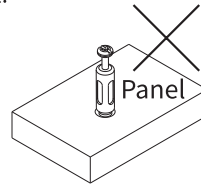
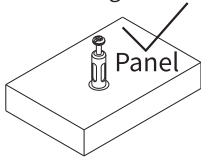
<p>(A)</p>	 <p>Ø6x26mm</p>	<p>x63</p>	<p>(I)</p>		<p>x1</p>
<p>(B)</p>	 <p>Ø15x9mm</p>	<p>x63</p>	<p>(J)</p>		<p>x2</p>
<p>(C)</p>	 <p>Ø3.5x14mm</p>	<p>x55</p>	<p>(K)</p>		<p>x2</p>
<p>(D)</p>		<p>x4</p>	<p>(L)</p>		<p>x8</p>
<p>(E)</p>		<p>x4</p>	<p>(M)</p>		<p>x1</p>
<p>(F)</p>		<p>x4</p>	<p>(N)</p>		<p>x1</p>
<p>(G)</p>		<p>x1</p>			
<p>(H)</p>		<p>x2</p>			

ASSEMBLY INSTRUCTIONS

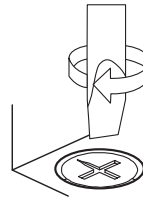
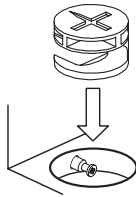
Use the Cam Lock and Eccentric Wheel

ECCENTRIC WHEEL

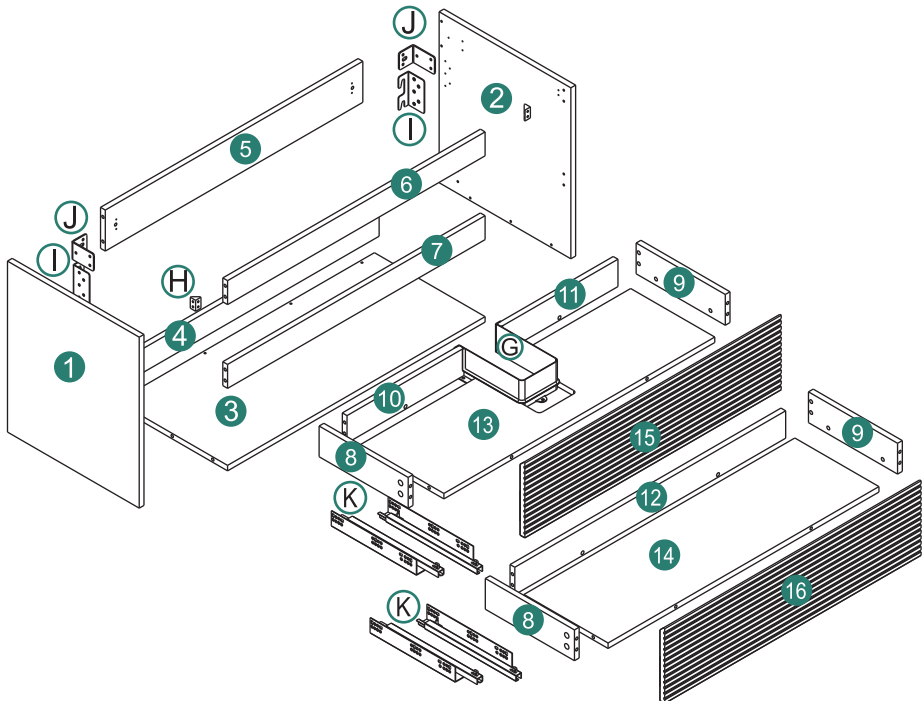
Tighten the bolt until the shoulder is aligned with the panel.
Be sure not to tighten too much or too little.



The pre-inserted nut should align with the center of the cam lock when joining two panels. The cam lock should be inserted before the eccentric wheel.

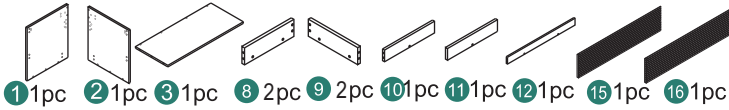


Turn the cam lock clockwise to tighten.

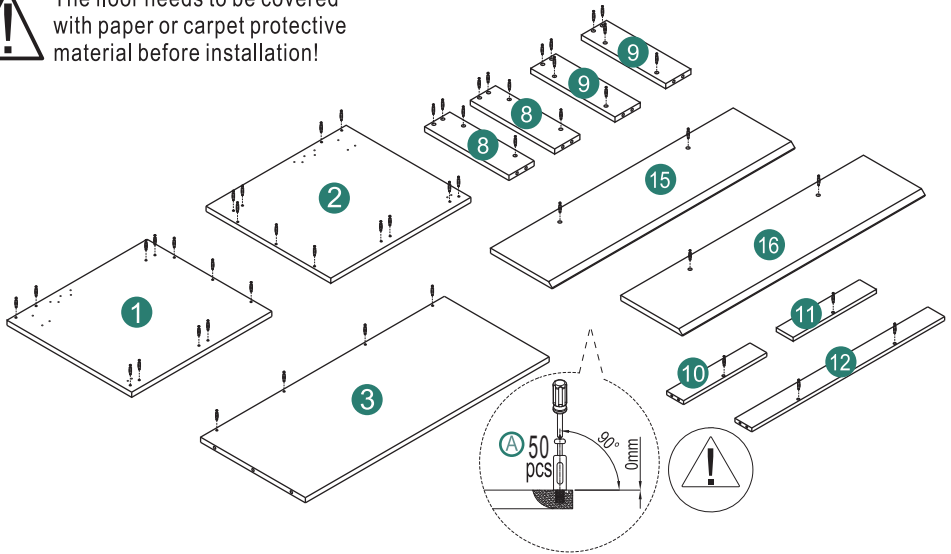


ASSEMBLY INSTRUCTIONS

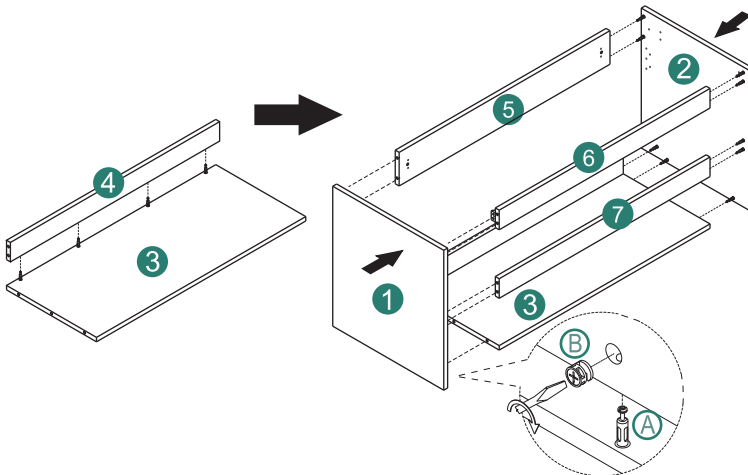
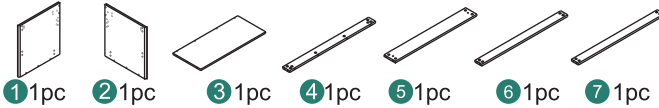
1



The floor needs to be covered with paper or carpet protective material before installation!



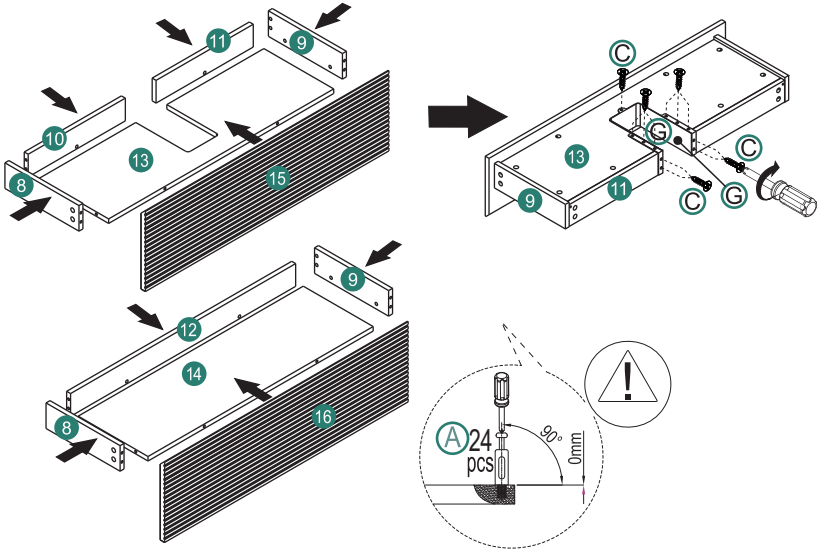
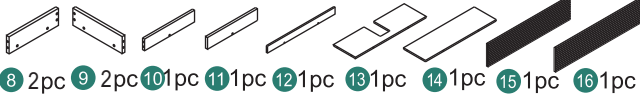
2



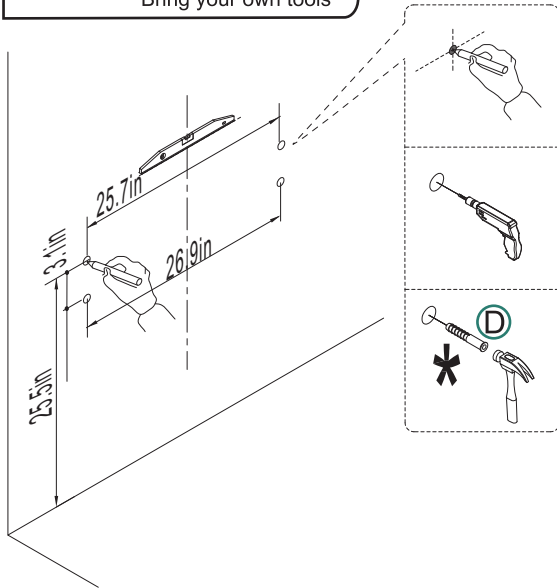
5

ASSEMBLY INSTRUCTIONS

4

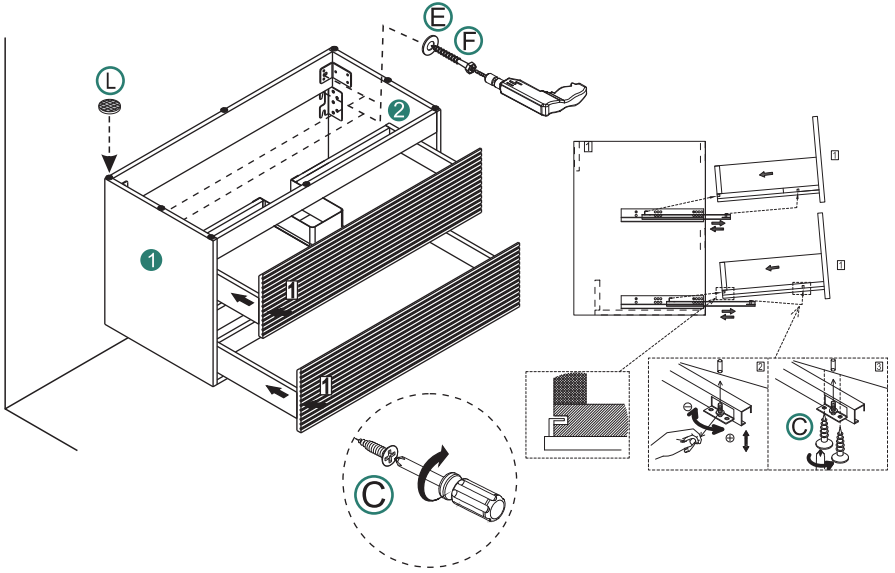


5

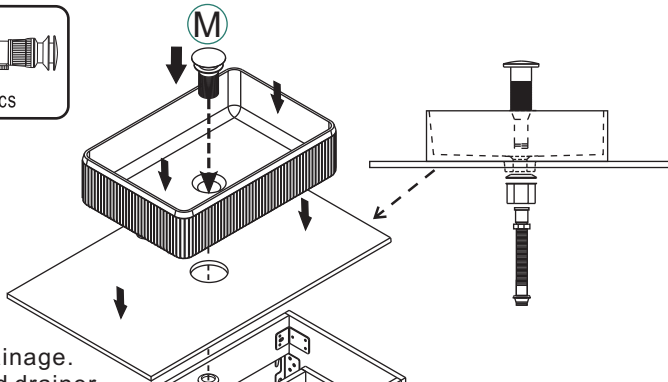
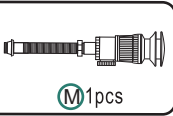


ASSEMBLY INSTRUCTIONS

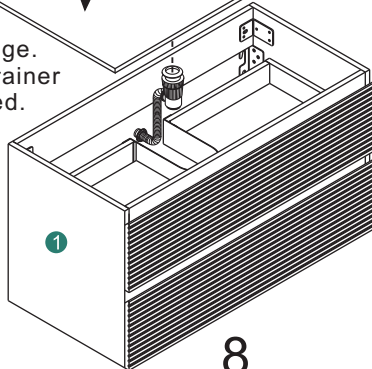
6



7



Prefer wall drainage.
Self purchased drainer
& pipe is welcomed.



8