

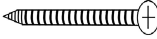








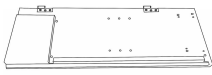
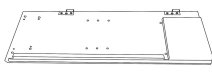
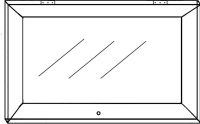
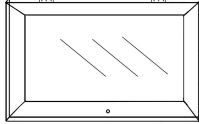



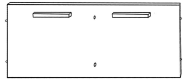




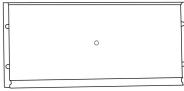

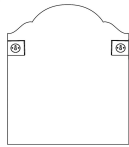

# ASSEMBLY INSTRUCTION

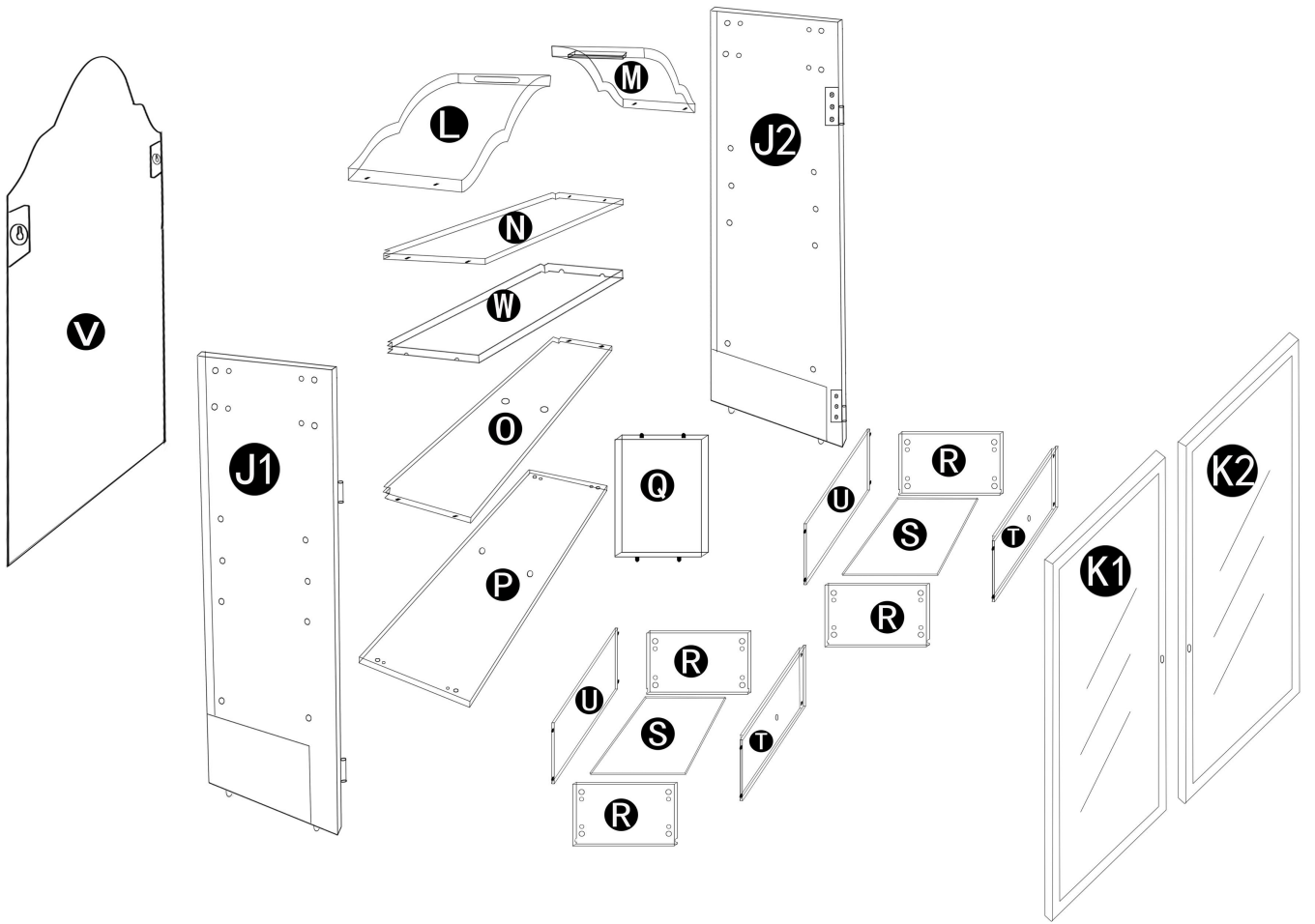
(DON'T FULLY TIGHTEN THE SCREWS BEFORE FINISHING ASSEMBLY)

## HARDWARE LIST

<b>A</b> 	<b>B</b>  Ø:4x22 mm	<b>C</b>  Ø:4x30 mm	<b>D</b>  Ø:4x25 mm	<b>E</b>  Ø:3x16 mm
1PC	4PCS	12PCS	16PCS	4PCS
<b>F</b>  Ø:3x14mm	<b>G</b> 	<b>H</b> 	<b>I</b> 	
13PCS	4PCS	1PC	4PCS	

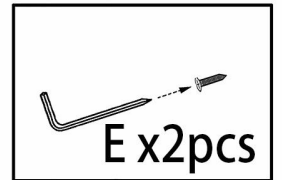
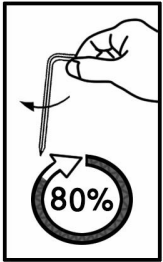
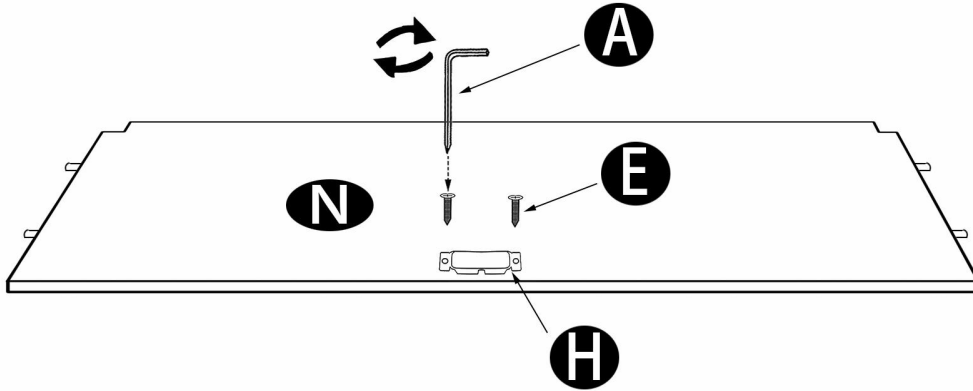
## PART LIST

<b>J1</b> 	<b>J2</b> 	<b>K1</b> 	<b>K2</b> 	<b>L</b> 
1PC	1PC	1PC	1PC	1PC
<b>M</b> 	<b>N</b> 	<b>O</b> 	<b>P</b> 	<b>Q</b> 
1PC	1PC	1PC	1PC	1PC
<b>R</b> 	<b>S</b> 	<b>T</b> 	<b>U</b> 	<b>V</b> 
4PCS	2PCS	2PCS	2PCS	1PC
<b>W</b> 				
1PC				



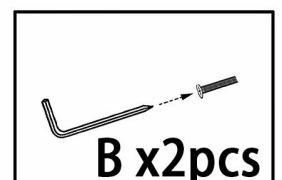
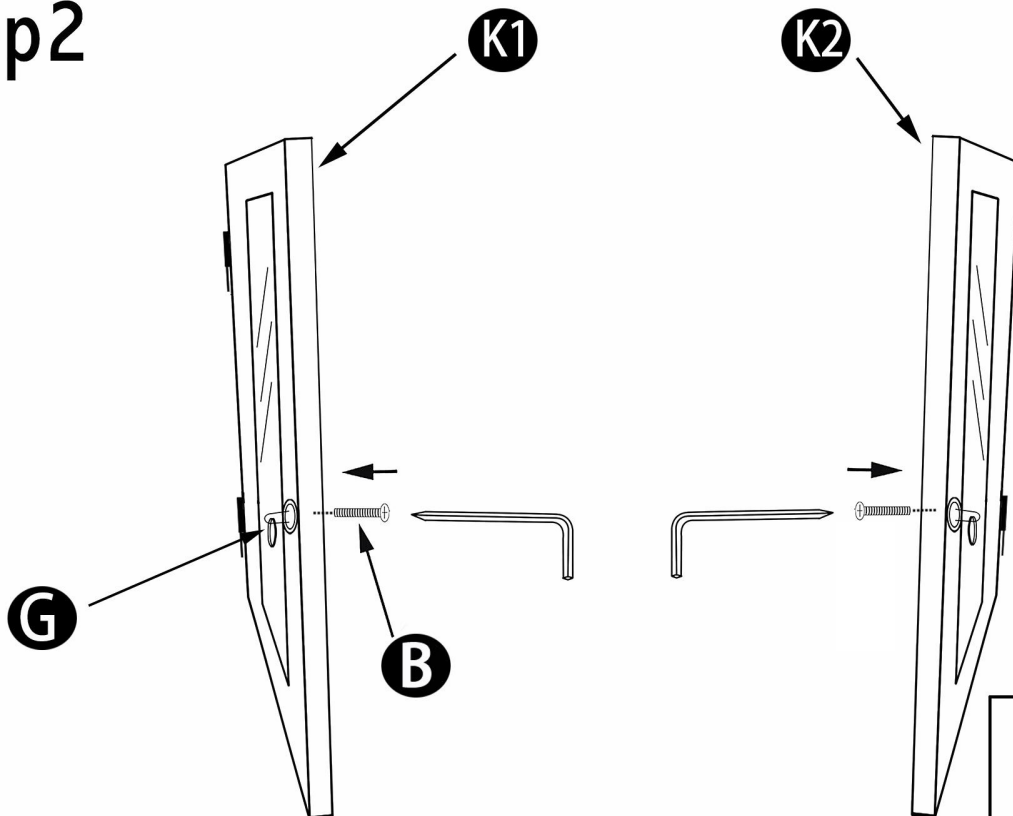
# INSTRUCTION STEPS

## Step 1



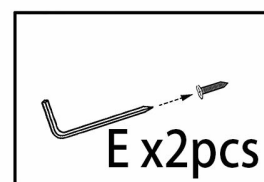
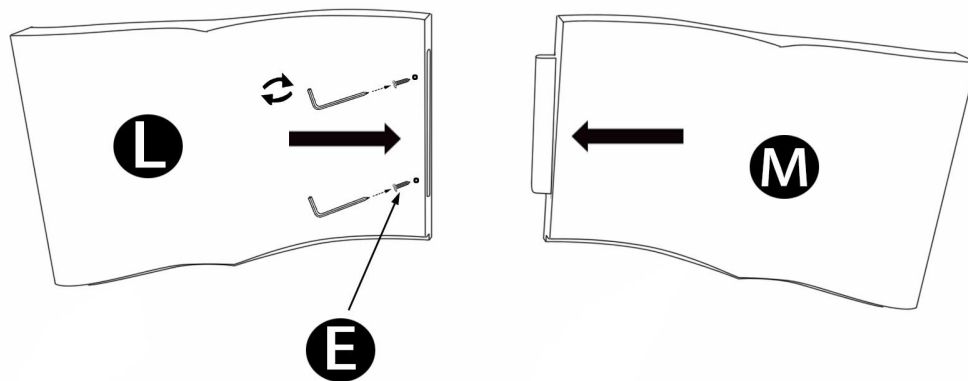
Reminder: Before the cabinet is fully assembled, tighten the assembly screws to about 80% to facilitate the adjustment of the alignment of the panels later.

## Step 2

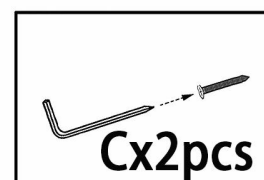
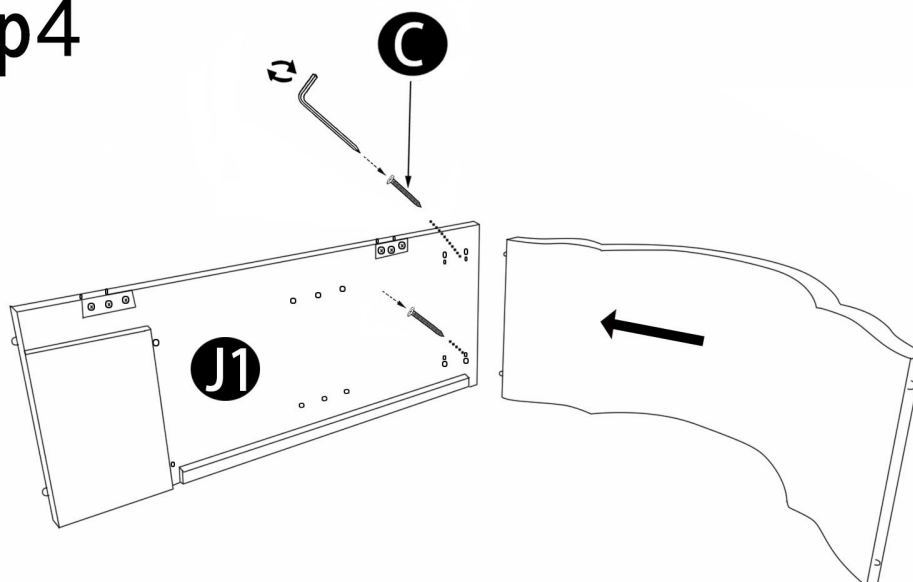


# INSTRUCTION STEPS

## Step 3

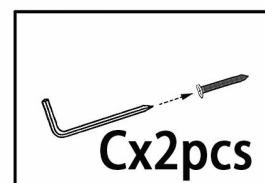
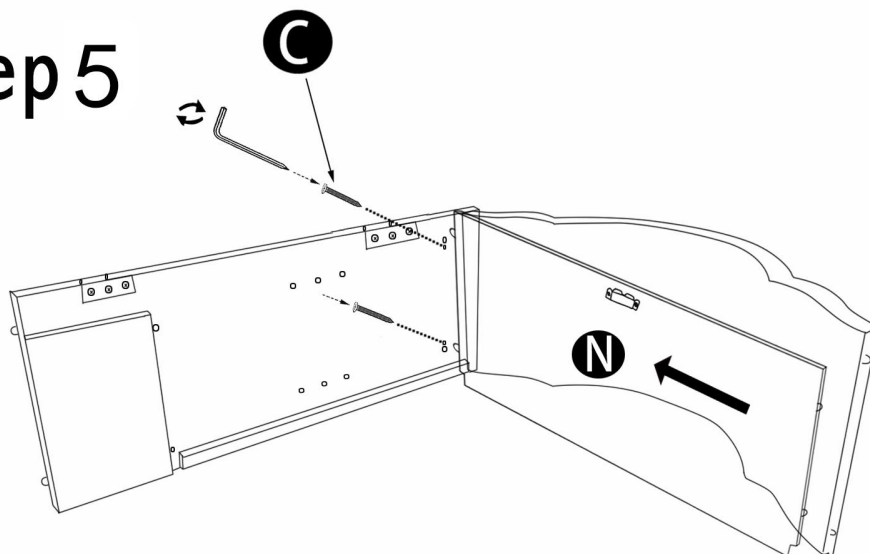


## Step 4

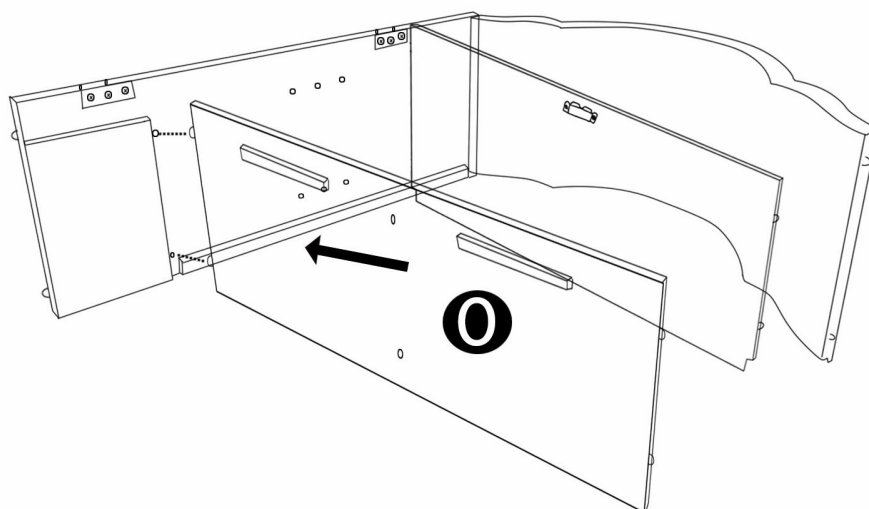


# INSTRUCTION STEPS

## Step 5

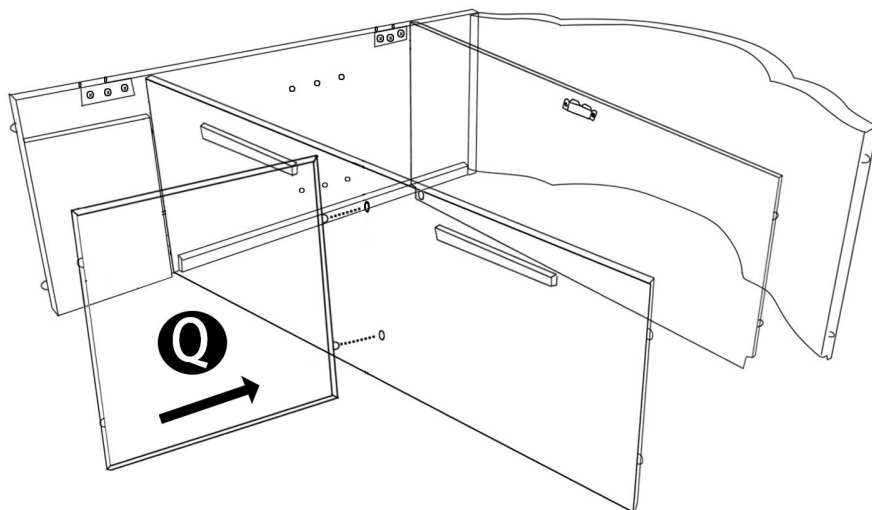


## Step 6

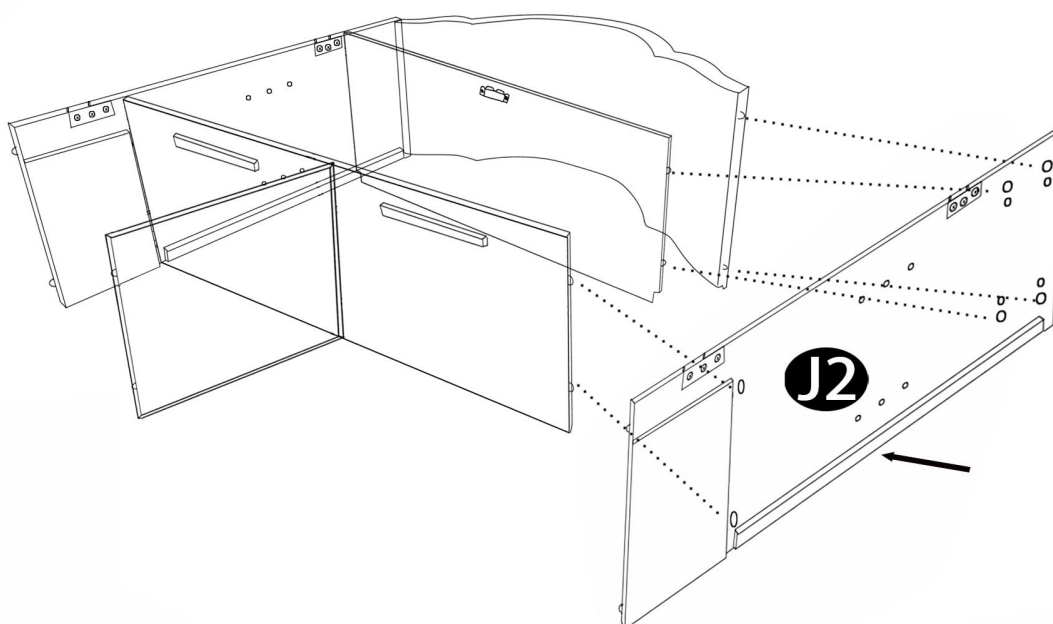


# INSTRUCTION STEPS

## Step 7

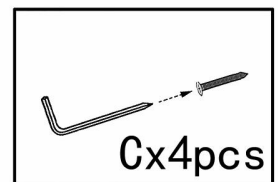
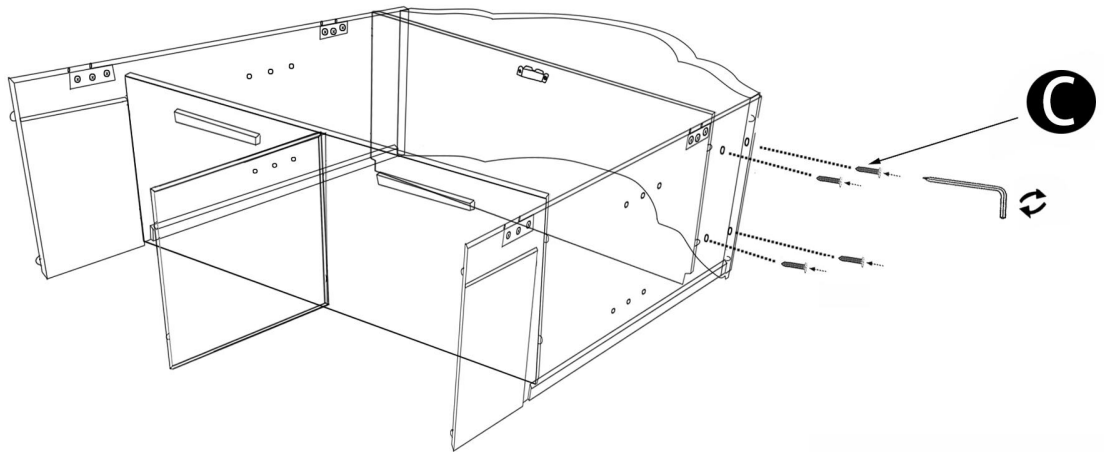


## Step 8

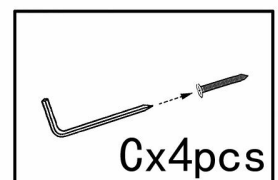
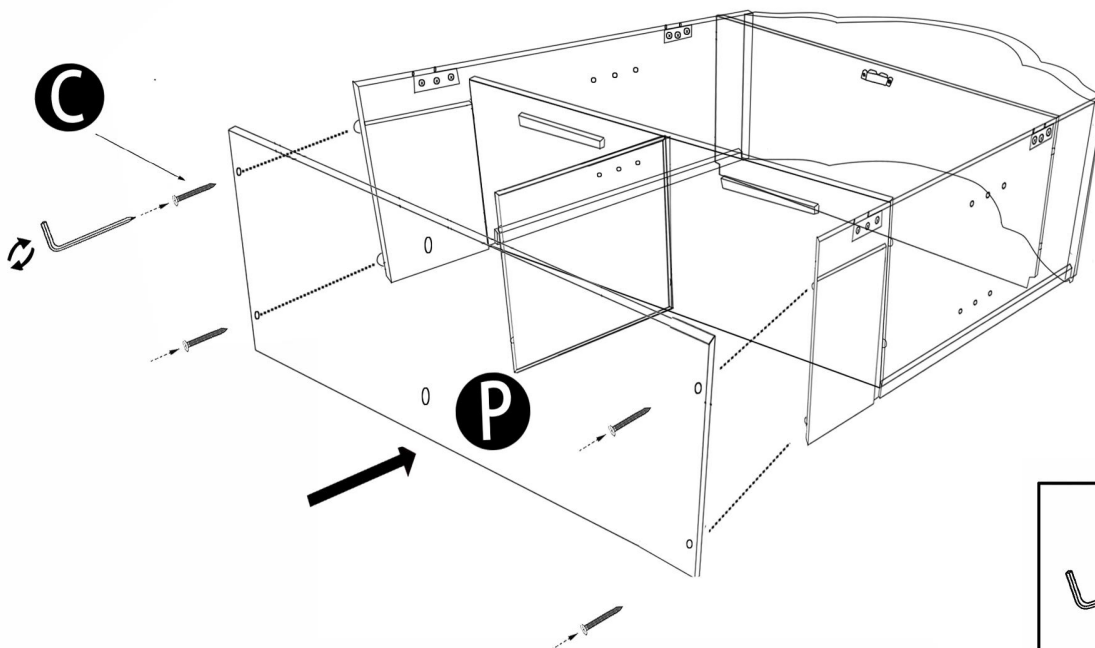


# INSTRUCTION STEPS

## Step 9

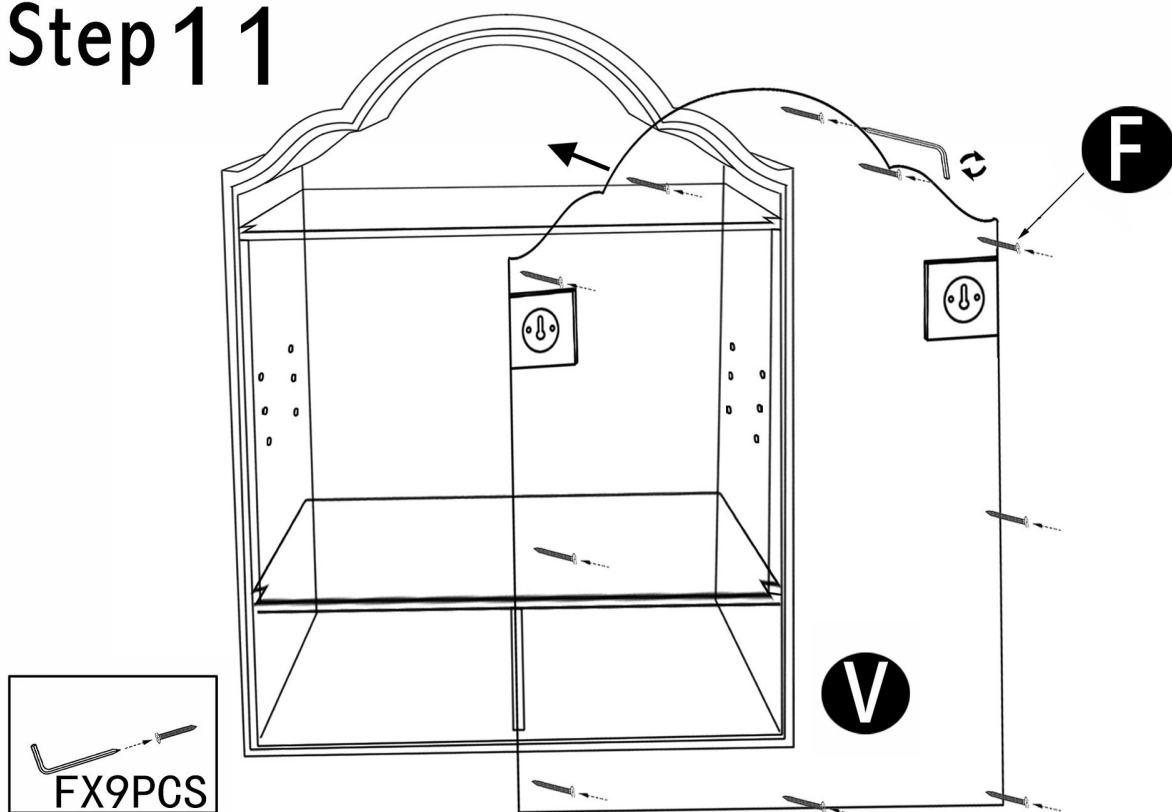


## Step 10



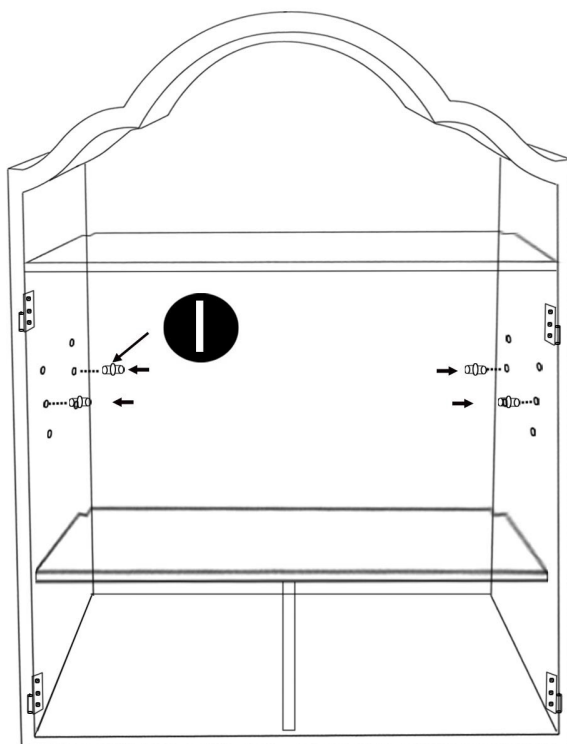
# INSTRUCTION STEPS

## Step 11



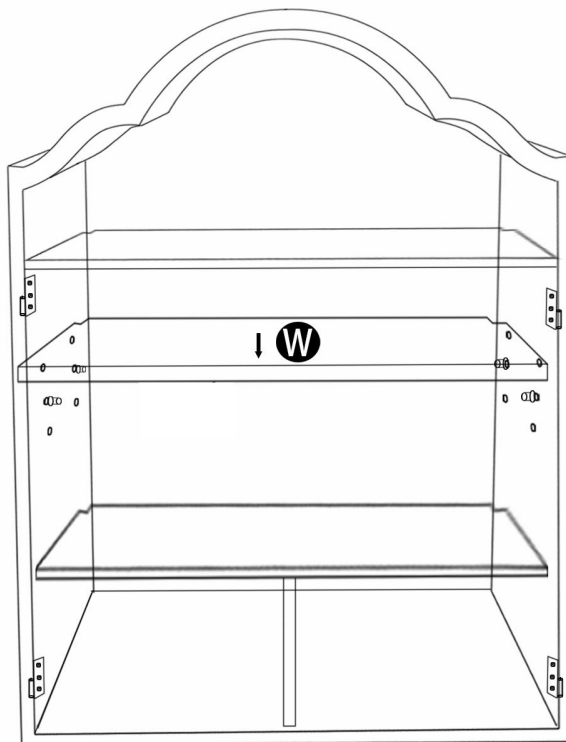
Friendly reminder: When locking the bottom plate , the hook side should face outwards.

## Step 12

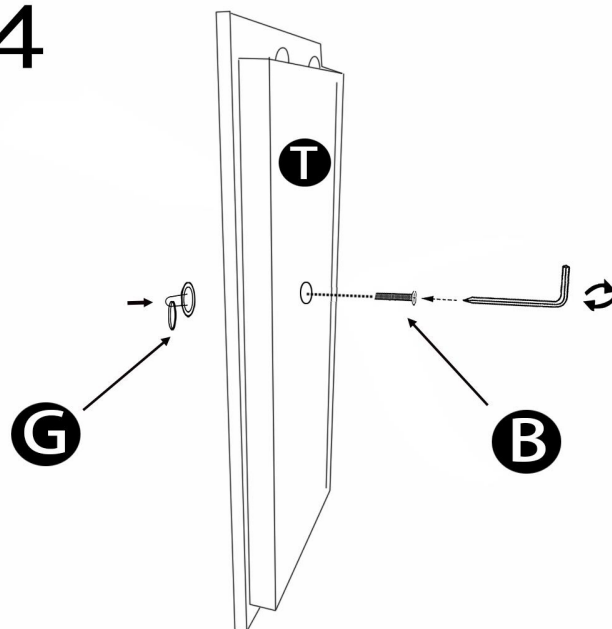


# INSTRUCTION STEPS

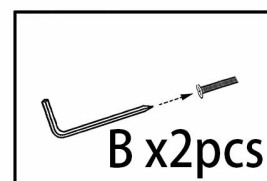
## Step 1 3



## Step 1 4

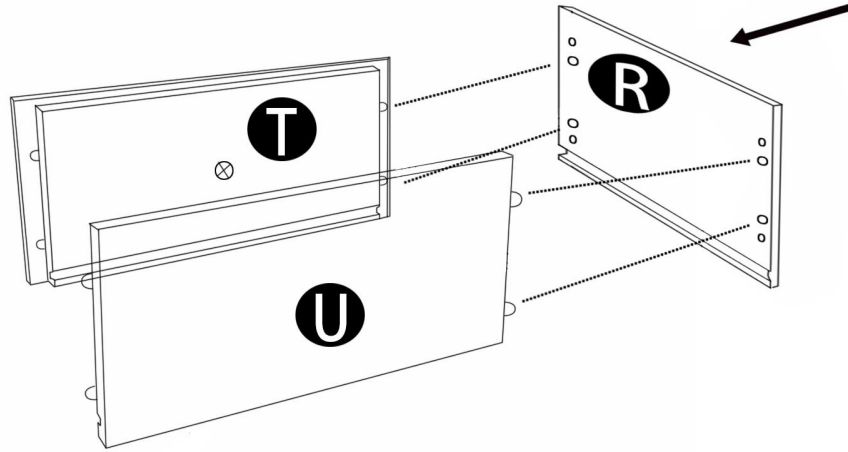


X2



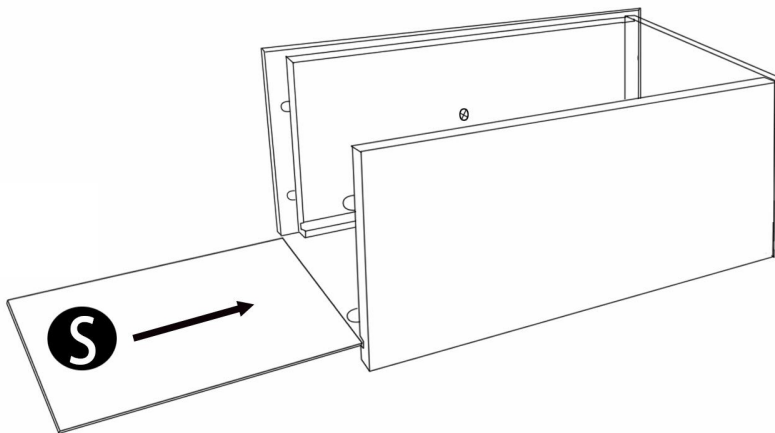
# INSTRUCTION STEPS

## Step 15



X2

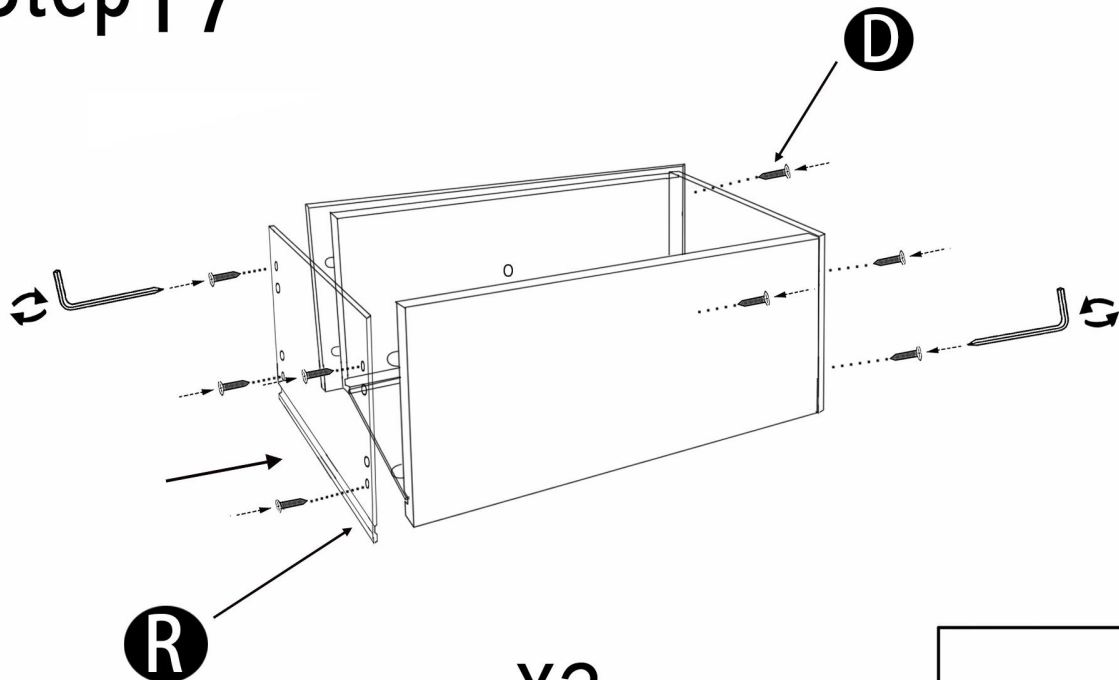
## Step 16



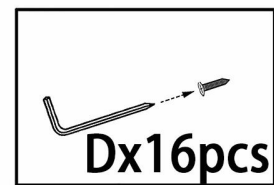
X2

# INSTRUCTION STEPS

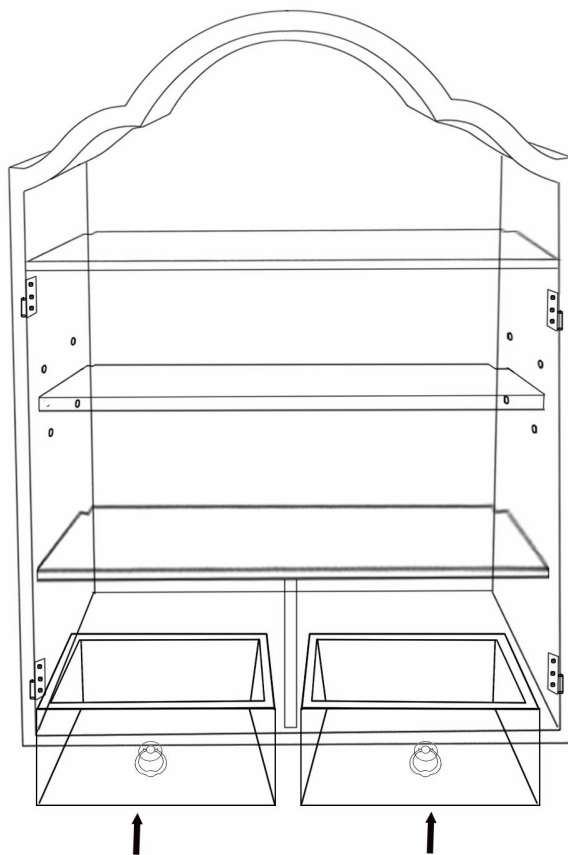
## Step 17



X2

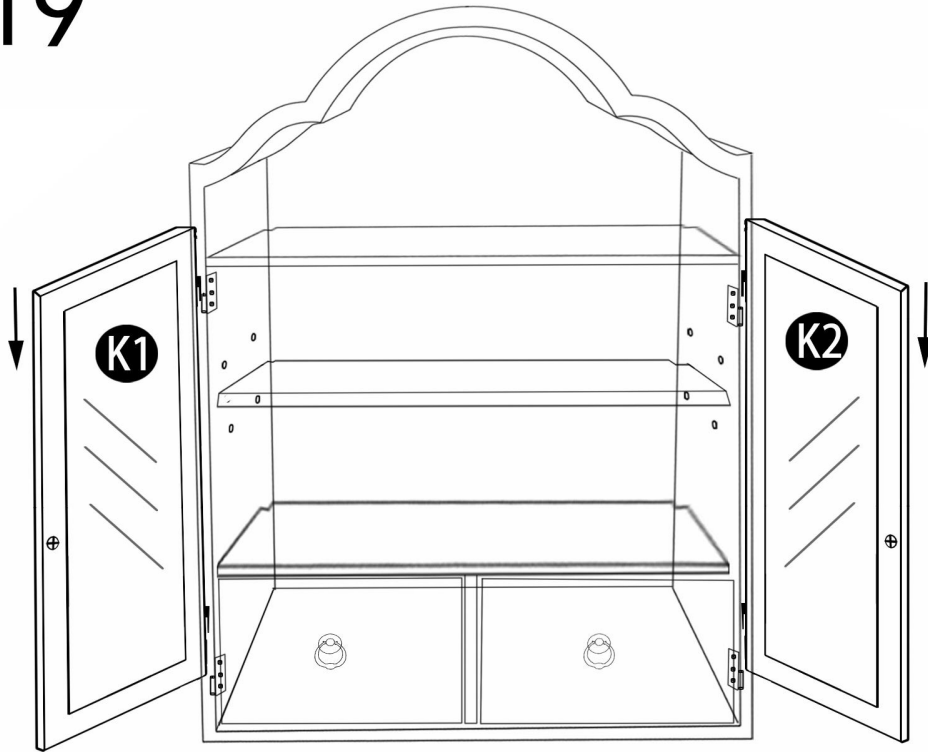


## Step 18

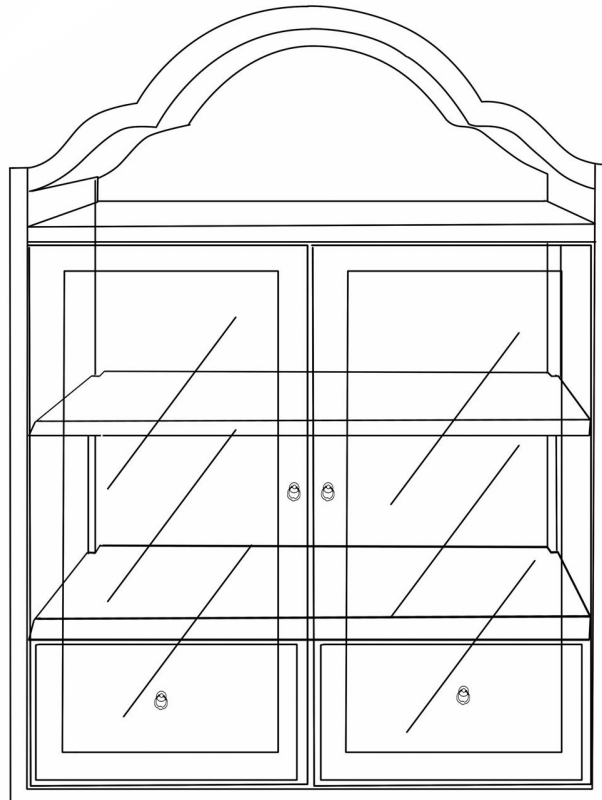


# INSTRUCTION STEPS

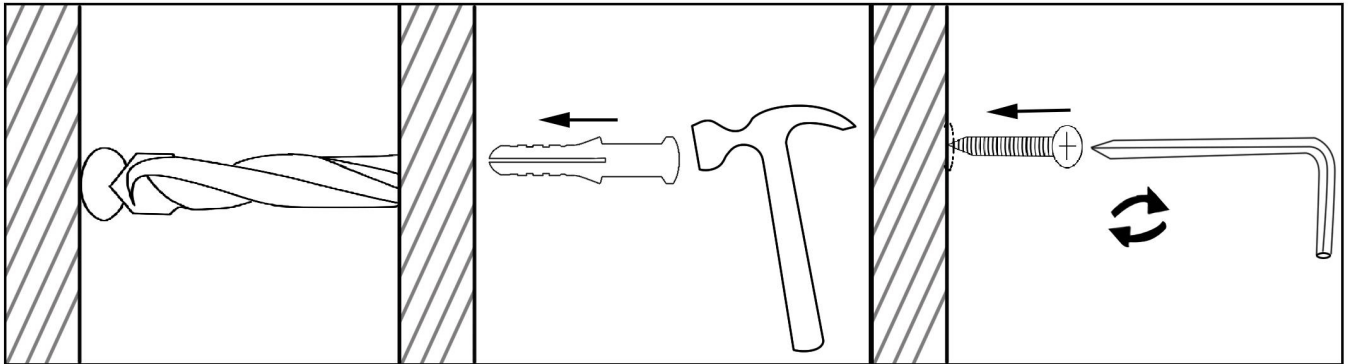
## Step 19



## Step 20



# Step 21



# Step 22

