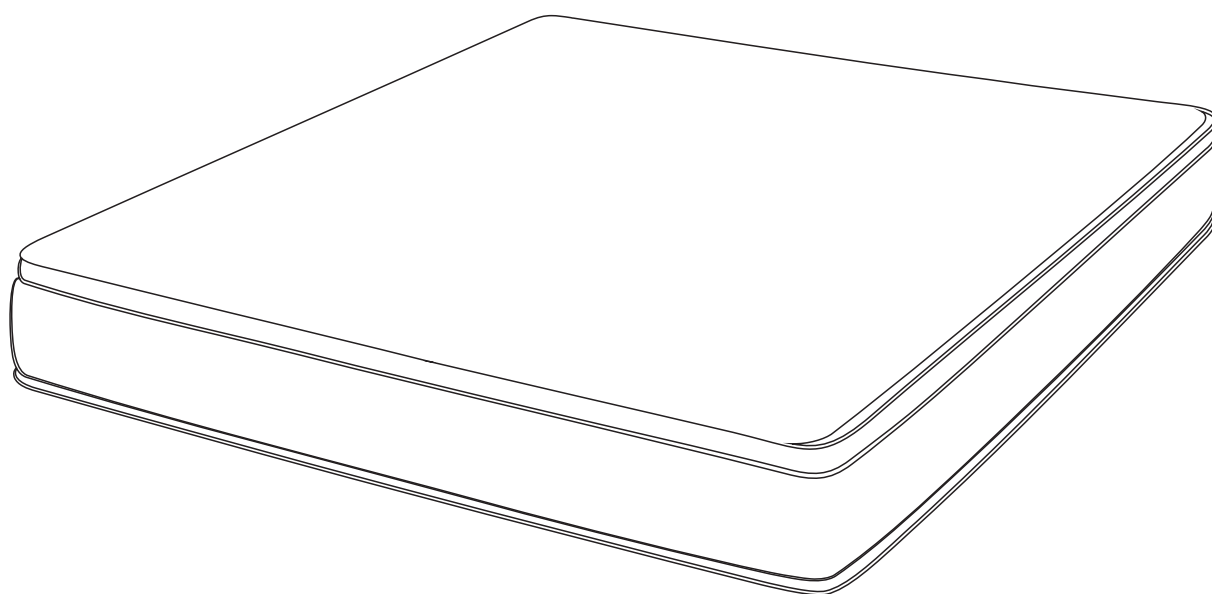


Product installation Manual



Compression Mattress

Thank you for purchasing our mattress.

Step 1

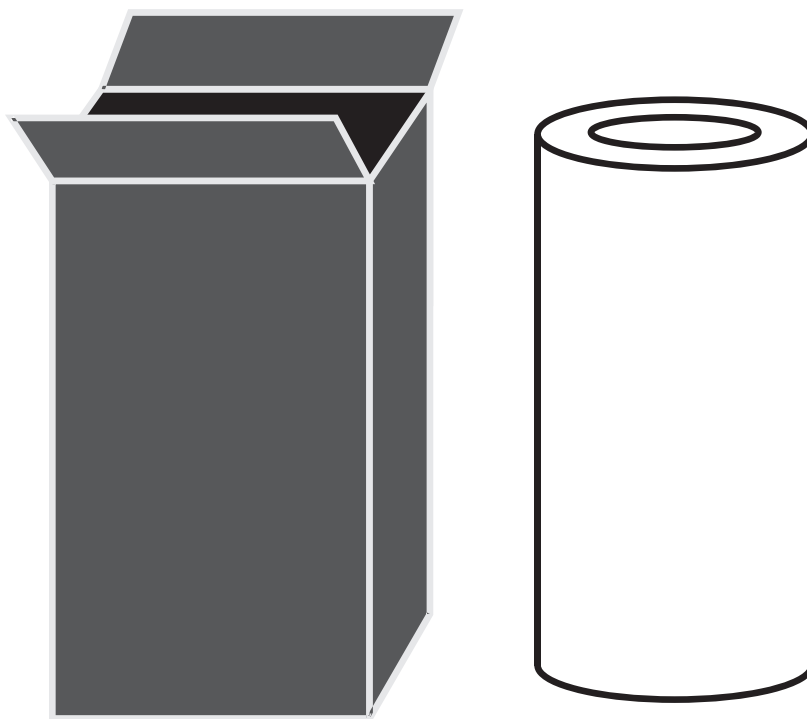


LAY DOWN THE PACKAGE IN YOUR BEDROOM AND OPEN IT WITH SCISSORS. PLEASE DO IT WITHIN 72 HOURS OF RECEIPT.

Compression Mattress

Thank you for purchasing our mattress.

Step 2

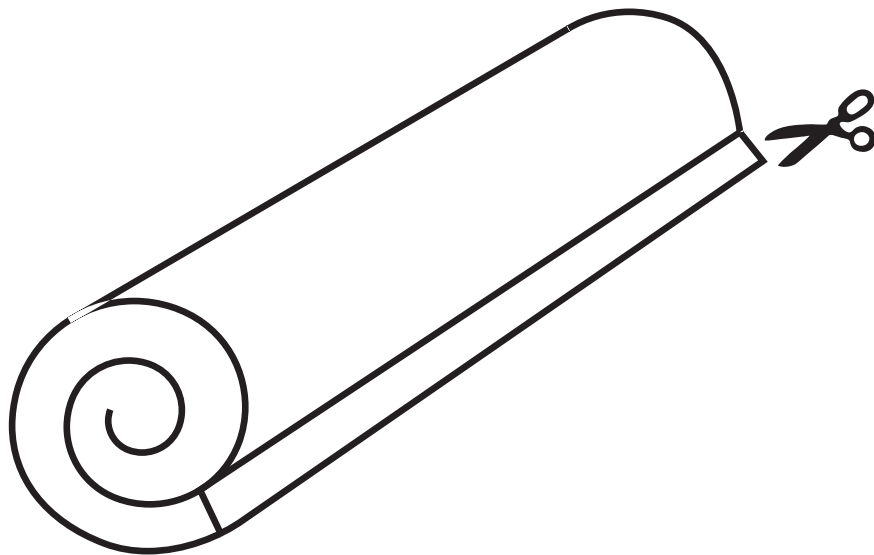


TAKE THE MATTRESS OUT OF THE BOX

Compression Mattress

Thank you for purchasing our mattress.

Step 3

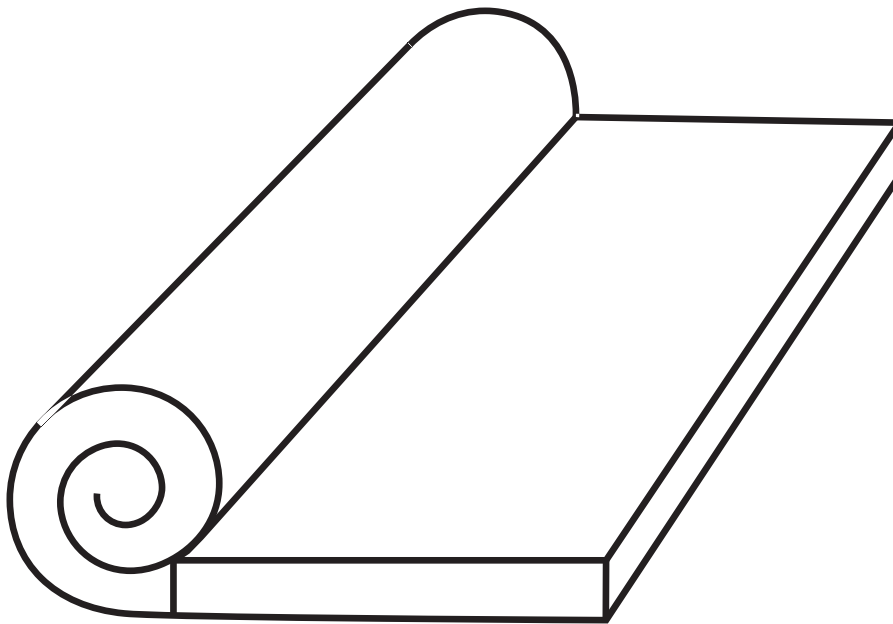


REMOVE THE MATTRESS FROM THE PLASTIC BAG. DO NOT USE KNIVES OR SCISSORS, SINCE THEY MIGHT DAMAGE YOUR BED.

Compression Mattress

Thank you for purchasing our mattress.

Step 4

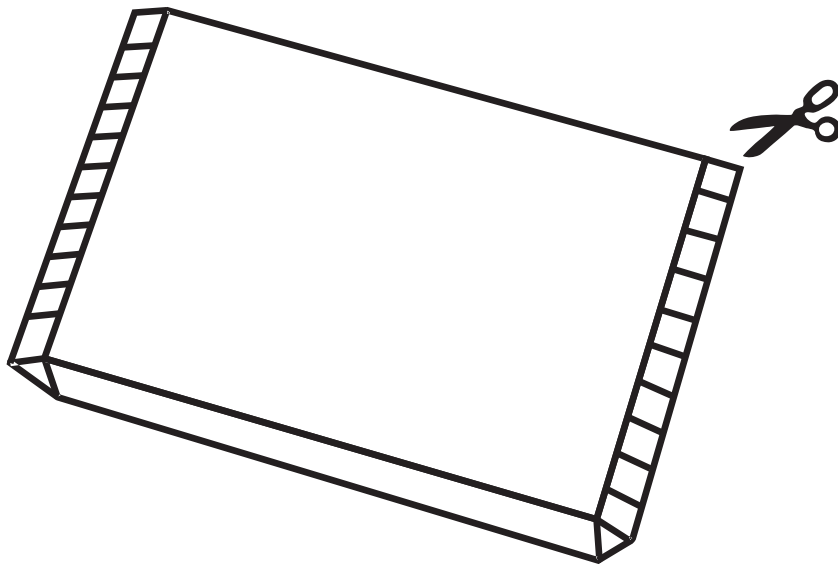


ROLL OUT THE COMPRESSED MATTRESS ONTO YOUR BED OR A CLEAN FLAT SURFACE.

Compression Mattress

Thank you for purchasing our mattress.

Step 5

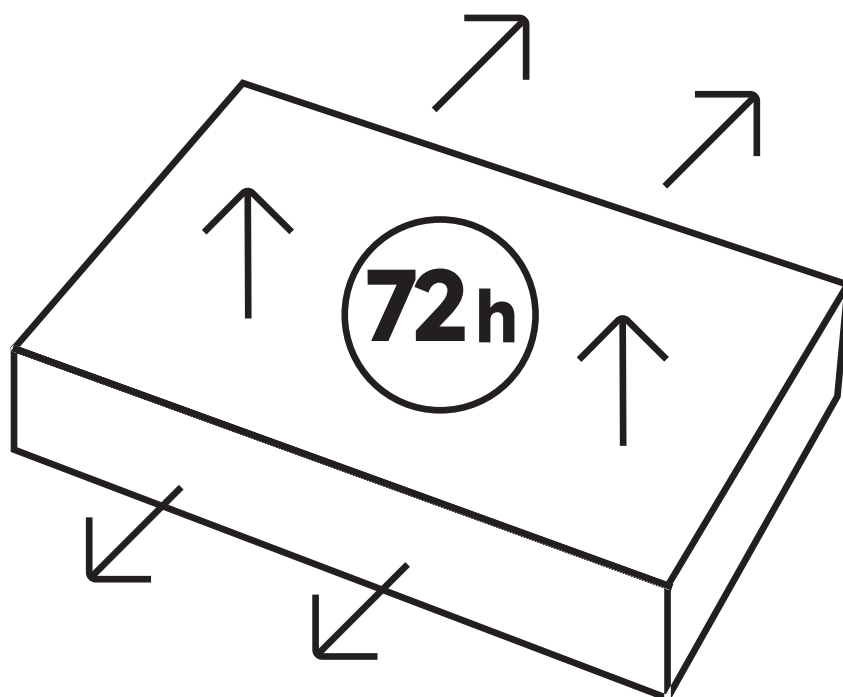


OPEN THE PLASTIC BAG ALONG THE EDGES CAREFULLY TO DECOMPRESS THE MATTRESS. REMOVE THE BAG.

Compression Mattress

Thank you for purchasing our mattress.

Step 6



ALLOW UP TO 72 HOURS FOR THE BED TO FULLY RETURN TO ITS ORIGINAL SHAPE. ALSO LET IT AIR OUT IF THERE ARE ANY ODORS.



CAUTIONS

1. Place the mattress roll in a dustless environment in order to avoid any dust inhaling when the mattress is releasing from vacuum packing.
2. Make sure no one is standing at the direction where the mattress is rolling out to prevent any unnecessary injury.