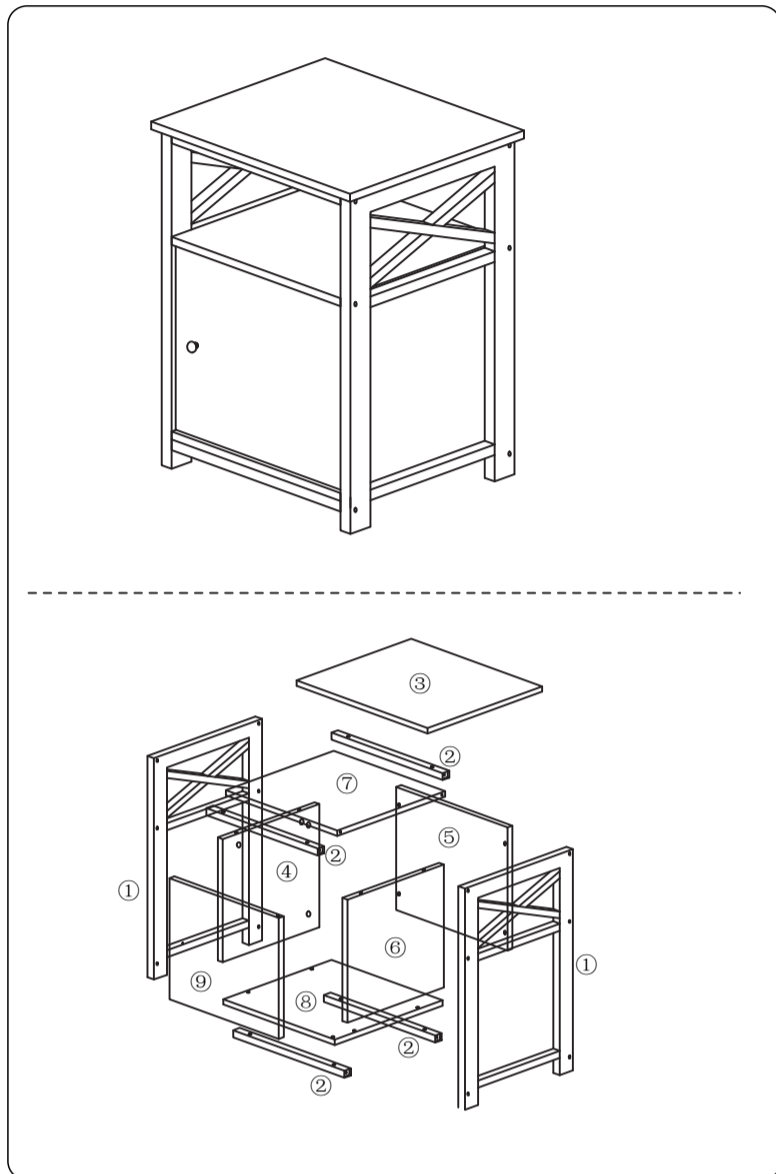


Assembly Instructions

Tips!

Check all the components & screws before assembly. **Do not install in case part is missing, contact us to get.** Send email with your question to us. We will resend within 24 hours.

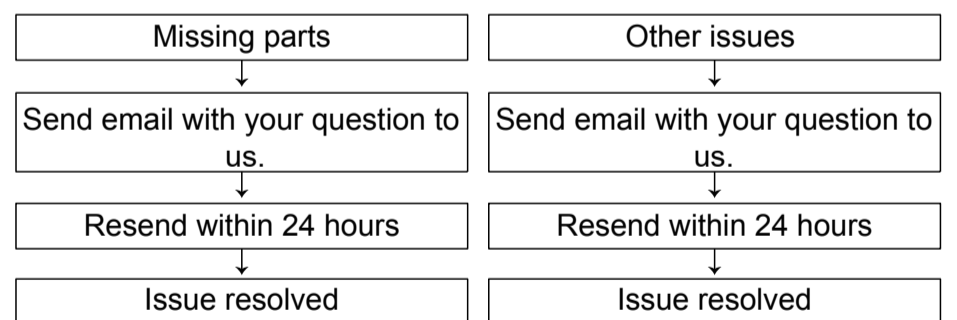


Components			Screws&Tools		
1		2	A		8
2		4	B		M6×30mm 8
3		400×350mm 1	C		M6×35mm 8
4		353×295mm 1	D		4
5		353×340mm 1	E		4
6		353×295mm 1	F		1
7		340×330mm 1	G		2
8		340×330mm 1			
9		347×334mm 1			

Trouble shooting

We believe you will absolutely love your new item. But if for some reason you want to return, please contact us directly before you decide to return your product. Our customer service organization can answer most concerns and assist you with any questions you may have about your new item, please email us first.

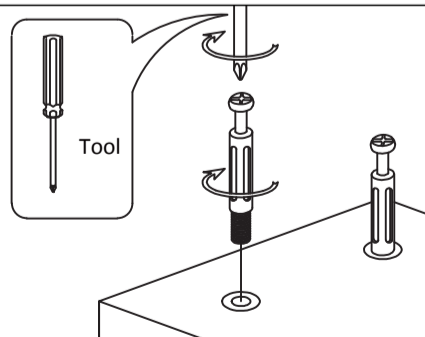
The item must be return within 30 days of delivery for a full refund. The item must be returned in good condition, in original box, with all original proof of purchase, parts and accessories.



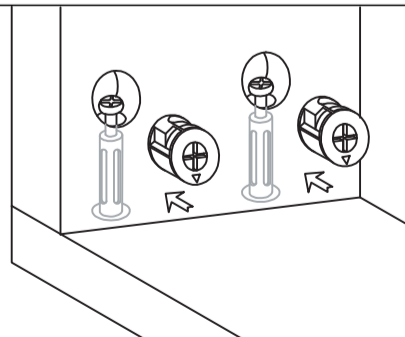
We control manufacturing and distribution ourselves, ensure the quality.

"A" Hardware Assembly example

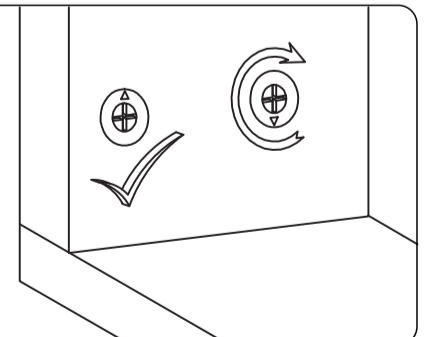
I



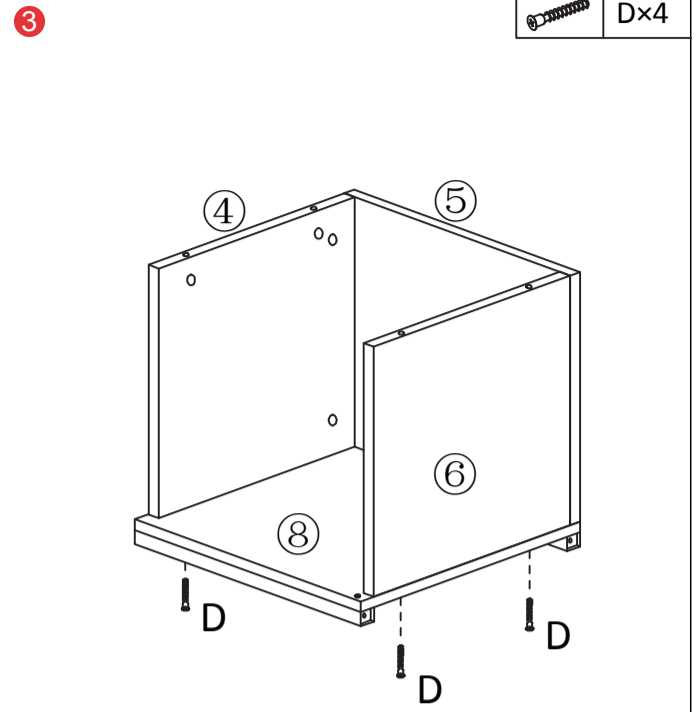
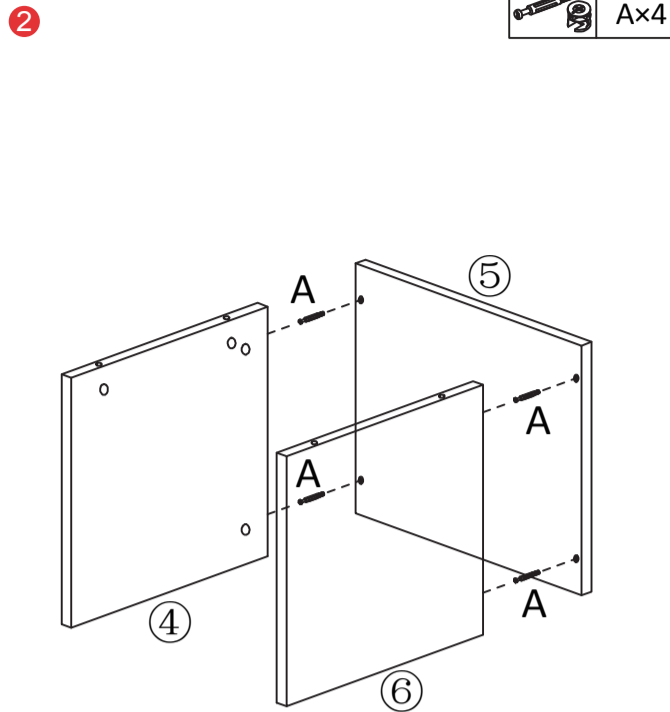
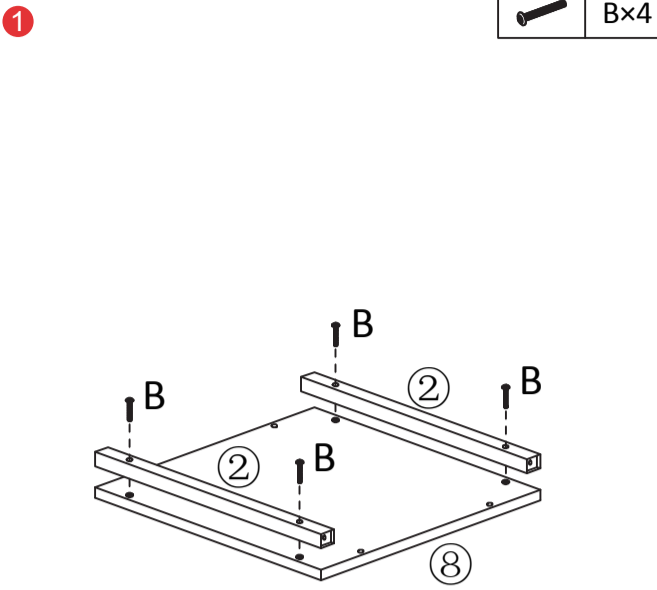
II



III

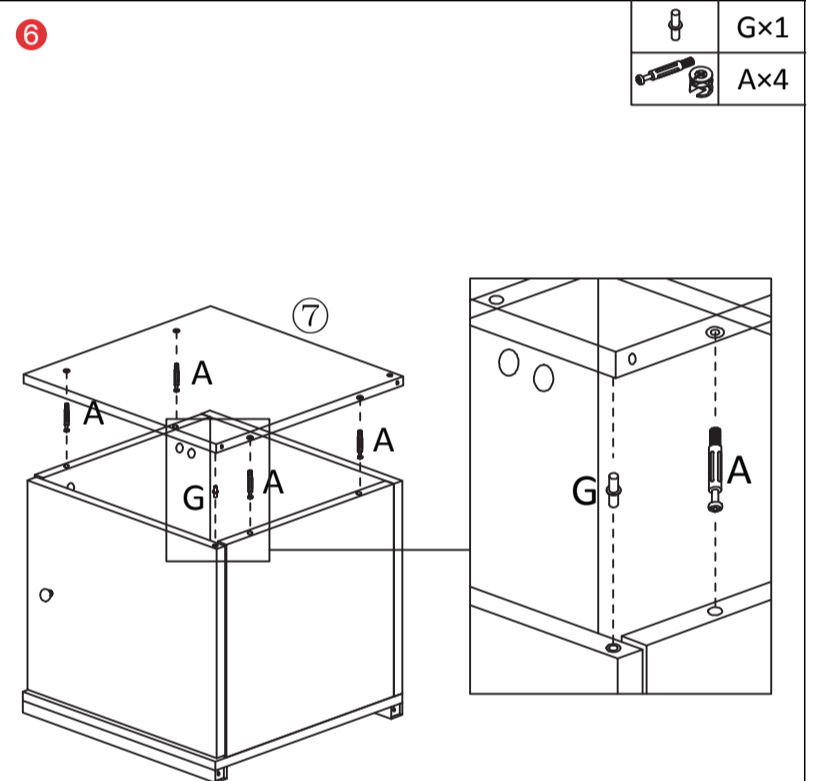
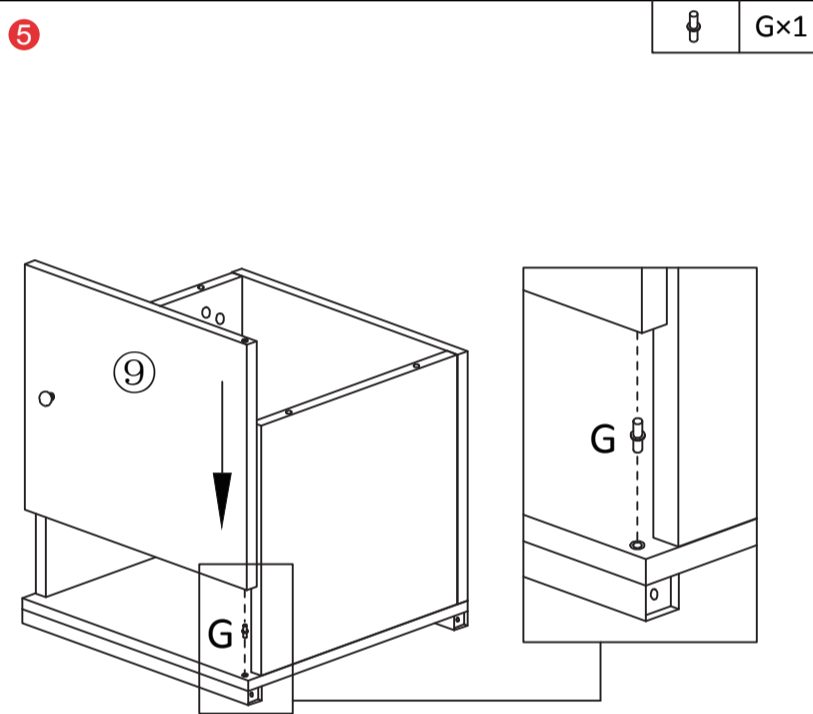
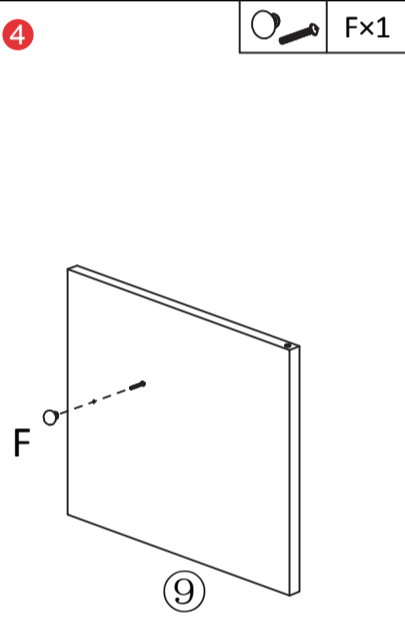


StepA : Cabinet frame assembly

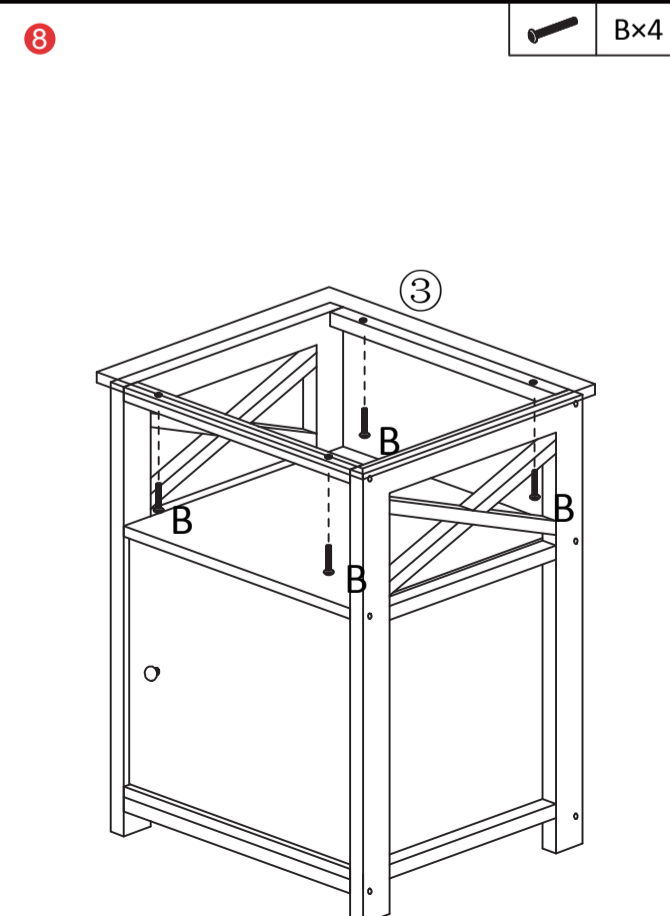
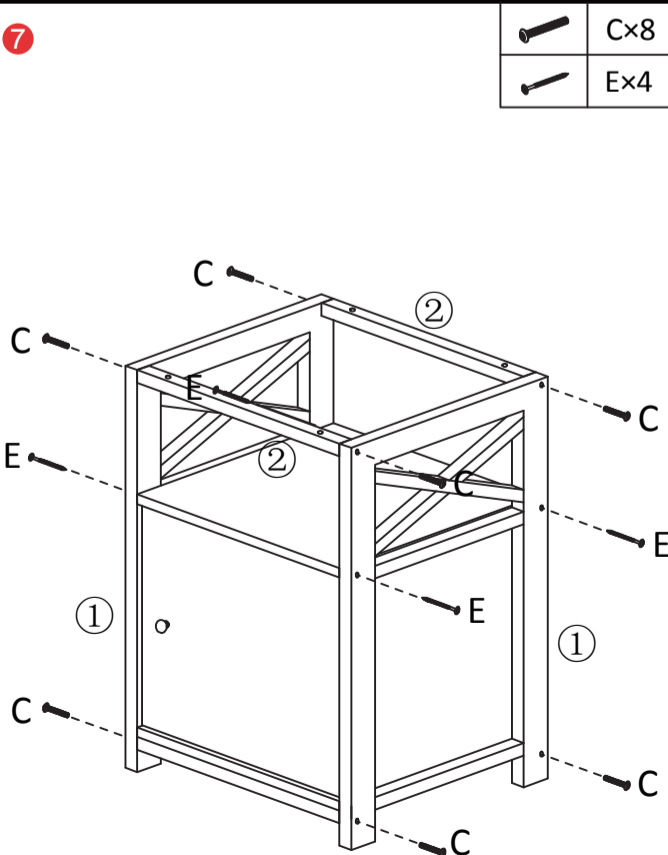


Tips:
For the tightening method of A screw, please refer to "A" Hardware Assembly example

StepB : Cabinet door assembly



StepC : Main frame assembly



9 Check and tighten all screws

