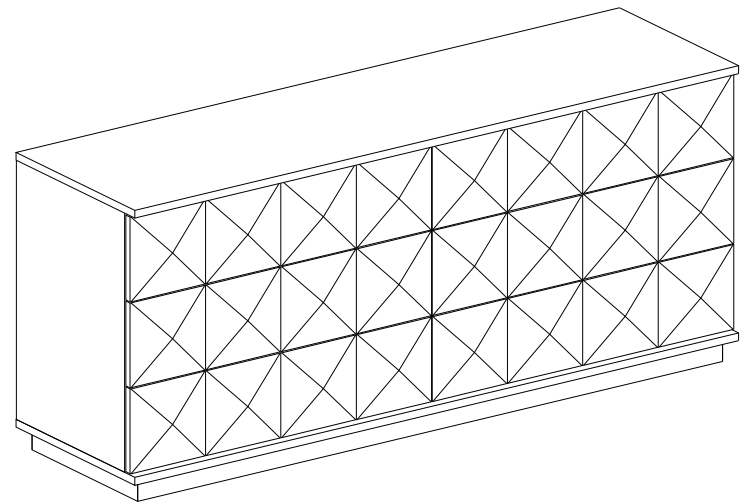


PATTY 6 DRAWER DRESSER

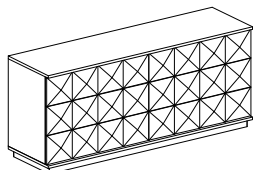
Assembly Instructions



Every thing we make is incredibly simple to set up, including your new cabinet. You won't need any tools.

Parts List

A x 1
BODY



Hardware List

HW1 x 2
STEEL CABLE



HW2 x 2
SHORT SCREW 4x15mm



HW3 x 2
LONG SCREW 4x50mm

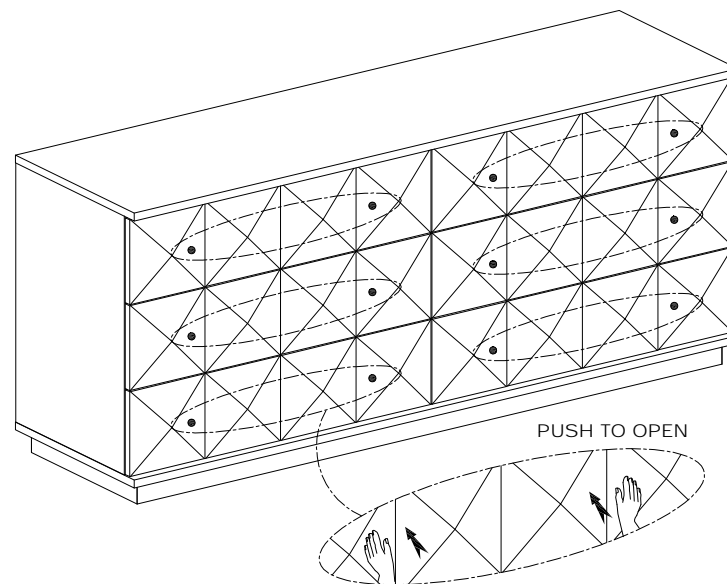


HW4 x 4
METAL BRACKET



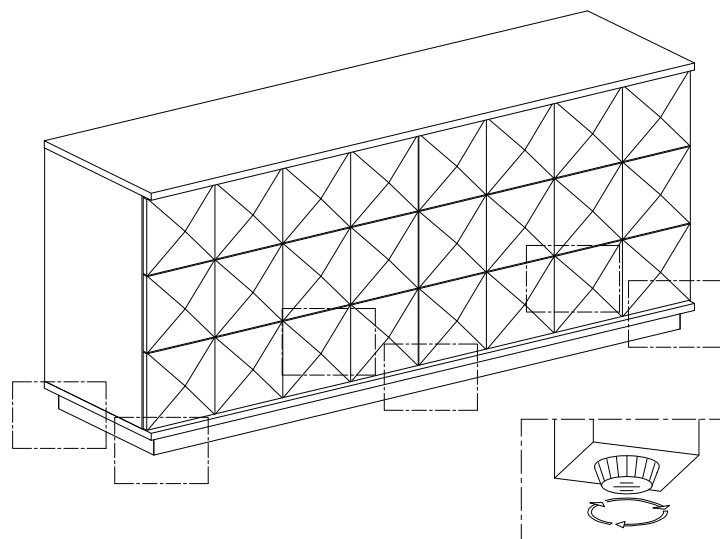
1

Push the doors on the body (A) to open them



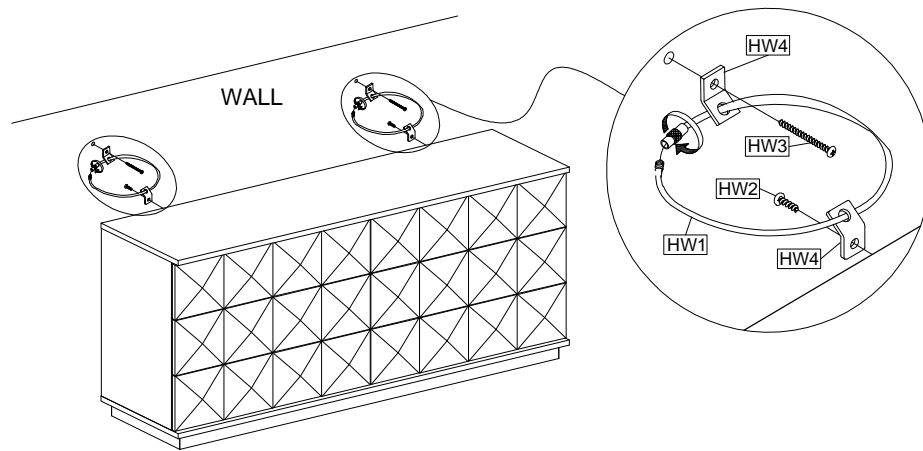
2

Adjust the levelers on the bottom of the legs as needed to make the product level.



Serious or fatal crushing injuries can occur from furniture tipover. To prevent tipover:

- Install tipover restraint provided.
- Place heaviest items in the lower drawers.
- Unless specifically designed to accommodate, do not set TVs or other heavy objects on top of this product.
- Never allow children to climb or hang on drawers, doors or shelves.
- Never open more than one drawer at a time.
- Do not defeat or remove the drawer interlock system.
- Use of tipover restraints may only reduce, but not eliminate, the risk of tip over.



Assembly Steps:

- I. Attach one mounting bracket "HW4" and secure to the back top edge of the furniture using the short screw "HW2".
- II. Mark the location on the wall for mounting the second bracket "HW4". Secure the bracket on the wall using the long screw "HW3".
- III. Place the furniture so the bracket on the back edge of unit is lined with the bracket on the wall.
- IV. Loop the cable "HW1" through each bracket "HW4". Secure the cable "HW1" by connecting the two ends and turning the larger barrel end until it stops.
- V. Check to make sure the steel cable is securely laced and locked to the brackets.
- VI. Complete!

Place the dresser in the place where you will use it. We'd love to see it – just tag us (we're and use the hashtag #safavieh on Instagram!

