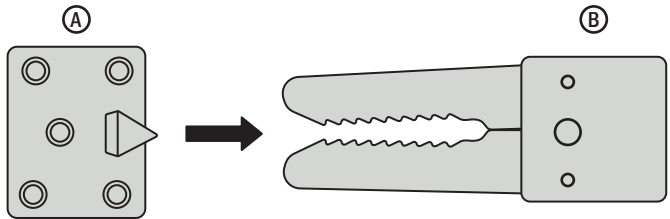


Alligator Clips (2pcs)

Part ①

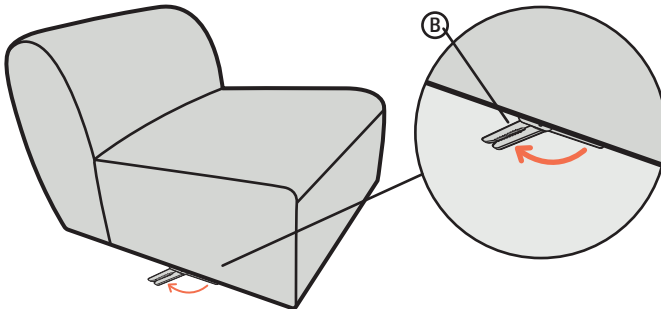
Part ②

*Upper View of mechanism



① On each furniture, locate mechanism
Parts ① and ②

② Pull out the ② mechanism



③ Push both alligator clips together
until Part ① inserts into part ②
and the mechanism creaks

