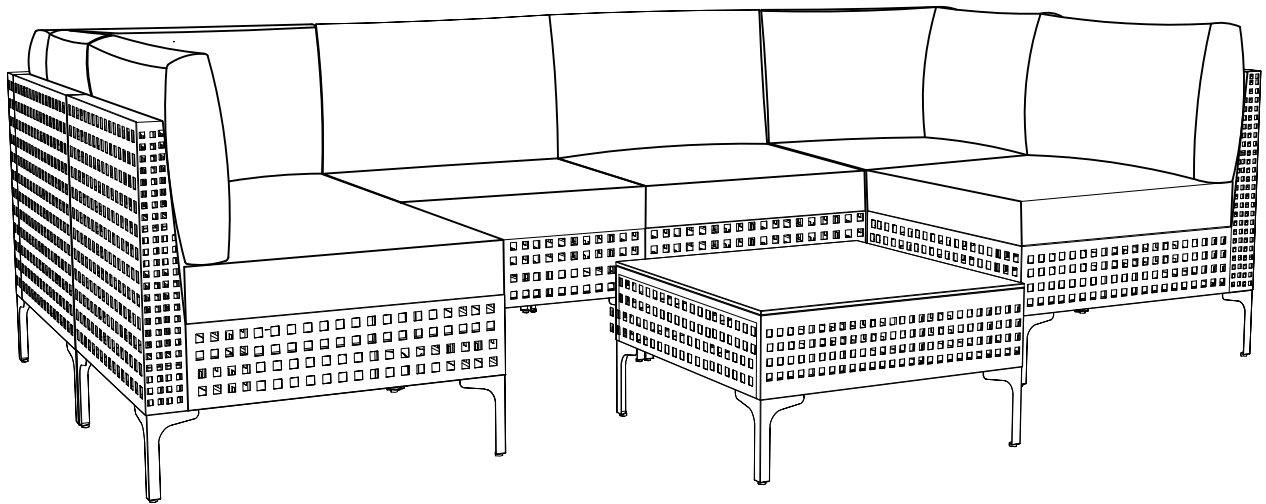


7 PCS RATTAN SOFA SET



ATTENTION Section:

1.If you encounter any issues, such as missing accessories or damaged parts,please contact us immediately and include pictures (email: jm@nicesoulfurniture.com)

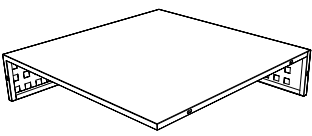
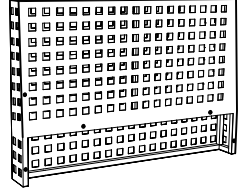
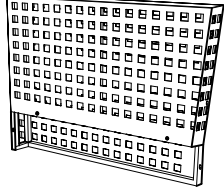
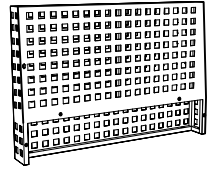
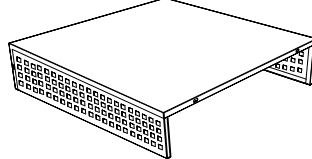
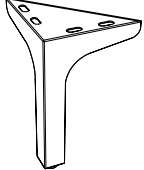
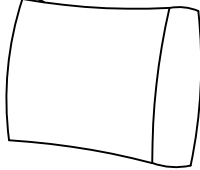
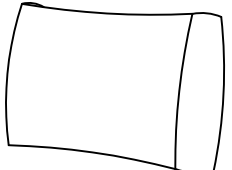
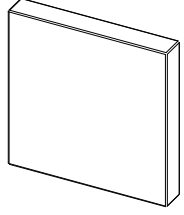
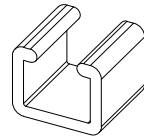

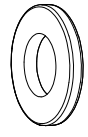

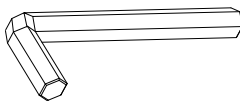
Assembly Instructions:

1. Assembly requires two people to complete.
2. For optimal assembly, we highly recommend using the provided Allen key.
If using a power tool, please set it to a low speed to prevent any damage
3. Do not fully tighten the screws until all screws are properly aligned with their holes.

Back Cushion Notes:

1. The back cushion is vacuum-sealed.After opening the bag, allow some time and fluffing for the cushion to return to its original thickness.
2. Fluff and shake the cushion to restore its original thickness before use.

PARTS LIST OF BOX A

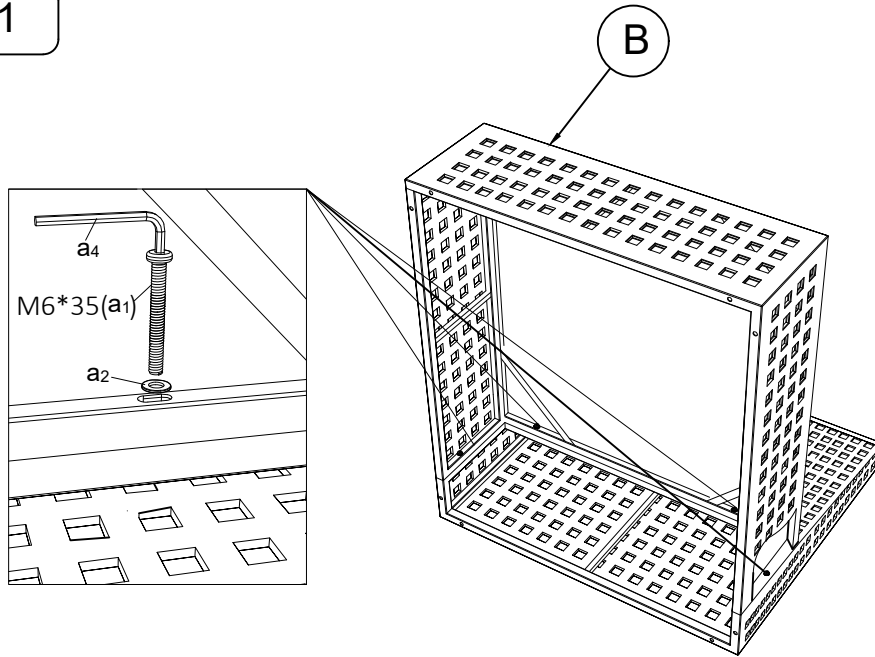
| | | | |
|---|---|---|--|
| <p>A</p>  <p>SEAT BOARD OF LEFT CORNER 1pc</p> | <p>B</p>  <p>ARMREST OF LEFT CORNER 1pc</p> | <p>C</p>  <p>BACK OF LEFT CORNER 1pc</p> | <p>D</p>  <p>BACK OF MIDDLE SOFA 1pc</p> |
| <p>E</p>  <p>SEAT BOARD OF MIDDLE SOFA 1pc</p> | <p>F</p>  <p>LEG 8pcs</p> | <p>G</p>  <p>CUSHION FOR ARMREST 1pc</p> | <p>H</p>  <p>CUSHION FOR BACK 2pcs</p> |
| <p>L</p>  <p>CUSHION FOR SEAT 2pcs</p> | <p>M</p>  <p>U-Shaped Connector 4pcs</p> | <p>a1</p>  <p>M6x35 12pcs</p> | <p>a2</p>  <p>GASKET 44pcs</p> |
| <p>a3</p>  <p>M6x15 32pcs</p> | <p>a4</p>  <p>ALLEN KEY 1pc</p> | | |
| | | | |

Middle Sofa



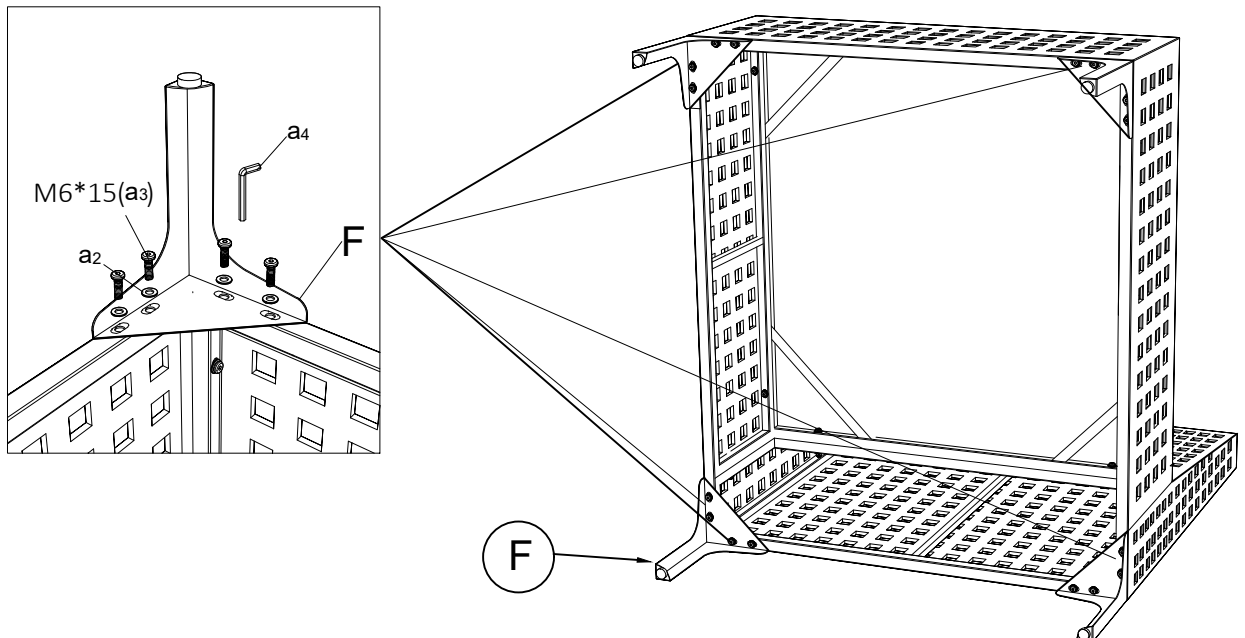
Do not use electric tools Two persons required Need 25mins roughly

STEP 1



| | | | | | | | | | |
|---|-----|---|-----|-------|------|----|------|-----------|-----|
| D | 1pc | E | 1pc | a1 | 4pcs | a2 | 4pcs | a4 | 1pc |
| | | | | | | | | | |
| | | | | M6*35 | | | | ALLEN KEY | |

STEP 2



| | | | | | | | |
|-------|-------|----|-------|-----------|-----|---|------|
| a3 | 16pcs | a2 | 16pcs | a4 | 1pc | F | 4pcs |
| | | | | | | | |
| M6*15 | | | | ALLEN KEY | | | |

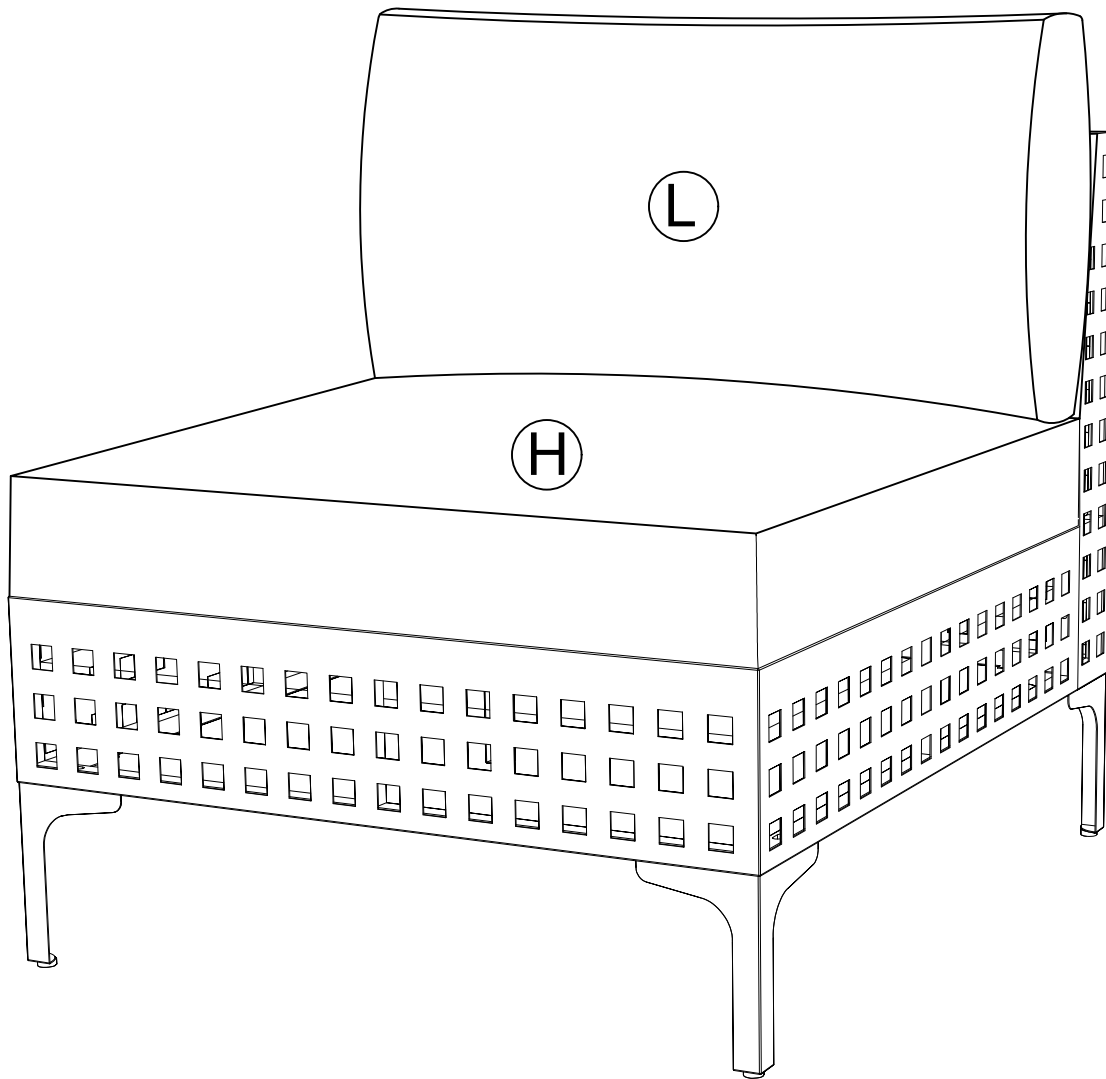
Do not fully tighten all screws until assembly is completed.

Middle Sofa



Do not use electric tools Two persons required Need 25mins roughly

STEP 3



| L | 1pc | H | 1pc |
|---|-----|---|-----|
| | | | |

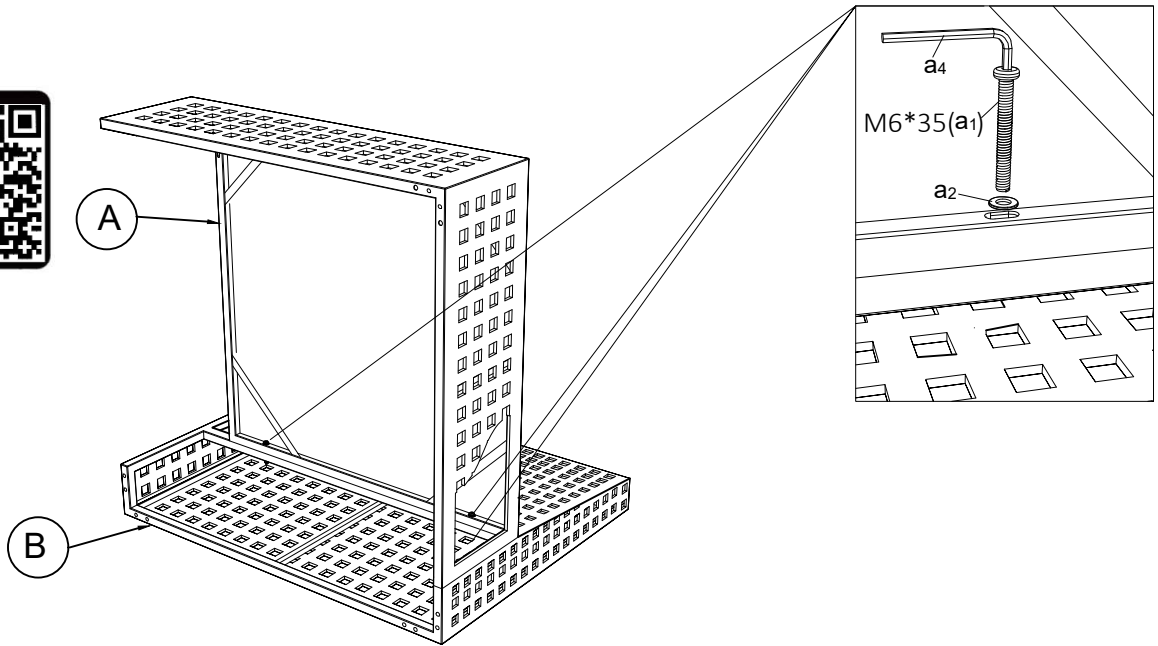
Do not fully tighten all screws until assembly is completed.

Corner Sofa



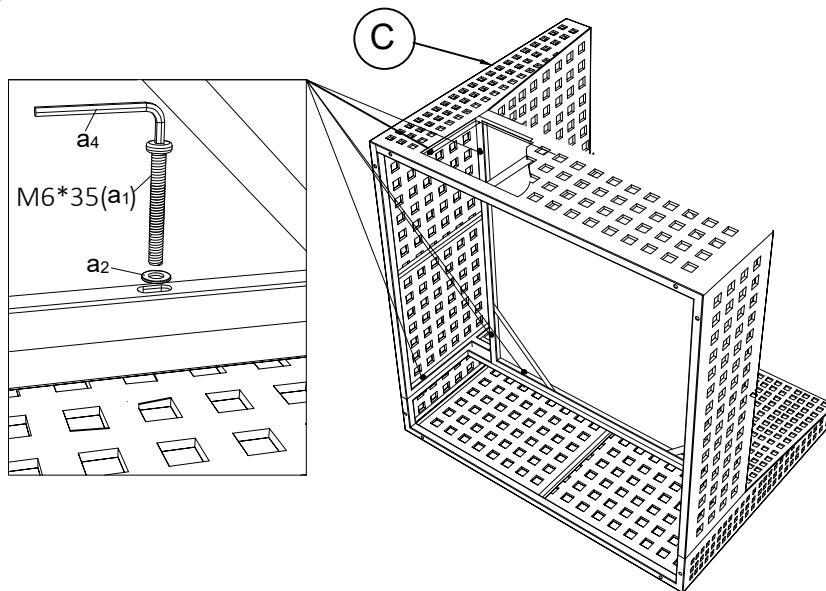
Do not use electric tools Two persons required Need 25mins roughly

STEP 1



| | | | | | | | | | |
|---|-----|---|-----|-------|------|----|------|-----------|-----|
| A | 1pc | B | 1pc | a1 | 3pcs | a2 | 3pcs | a4 | 1pc |
| | | | | | | | | | |
| | | | | M6*35 | | | | ALLEN KEY | |

STEP 2



An N accessory screw also needs to be installed internally

| | | | | | | | |
|---|-----|-------|------|----|------|-----------|-----|
| C | 1pc | a1 | 5pcs | a2 | 5pcs | a4 | 1pc |
| | | | | | | | |
| | | M6*35 | | | | ALLEN KEY | |

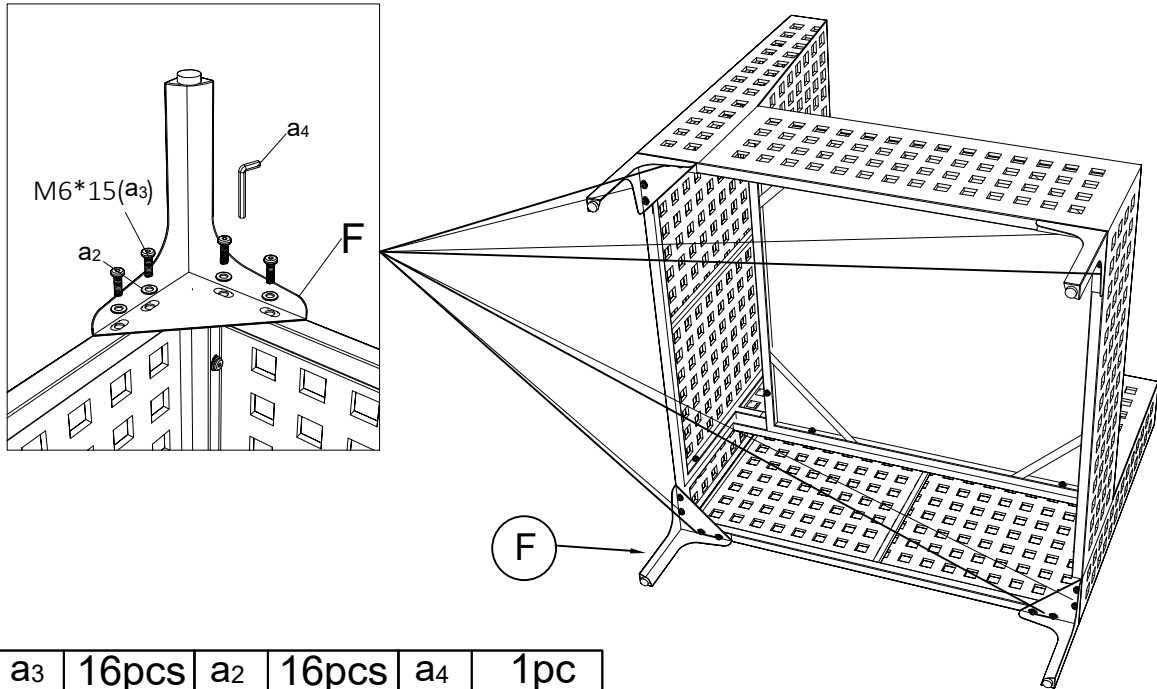
Do not fully tighten all screws until assembly is completed.






Corner Sofa



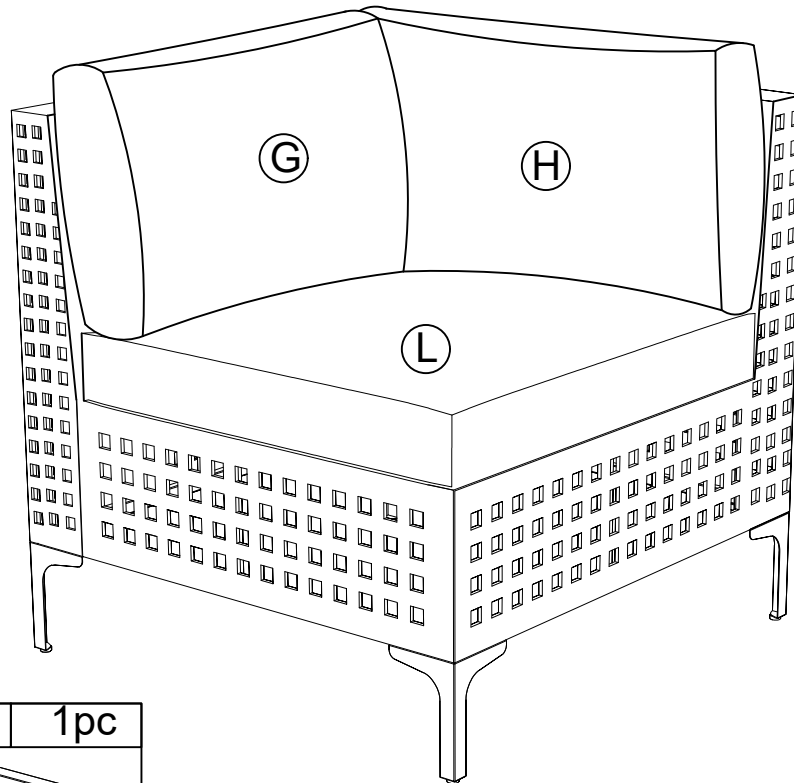
Do not use electric tools Two persons required Need 25mins roughly



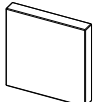
STEP 3



| | | | | | | | |
|---|------|--|---|---|-------|---|-----|
| F | 4pcs | a3 | 16pcs | a2 | 16pcs | a4 | 1pc |
|  | |  M6*15 |  |  | |  ALLEN KEY | |

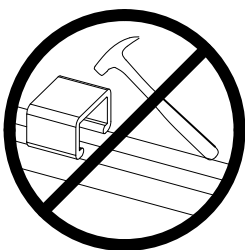
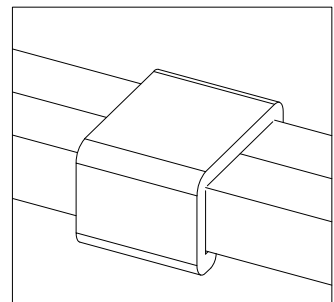
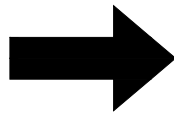
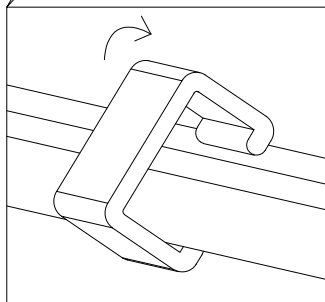
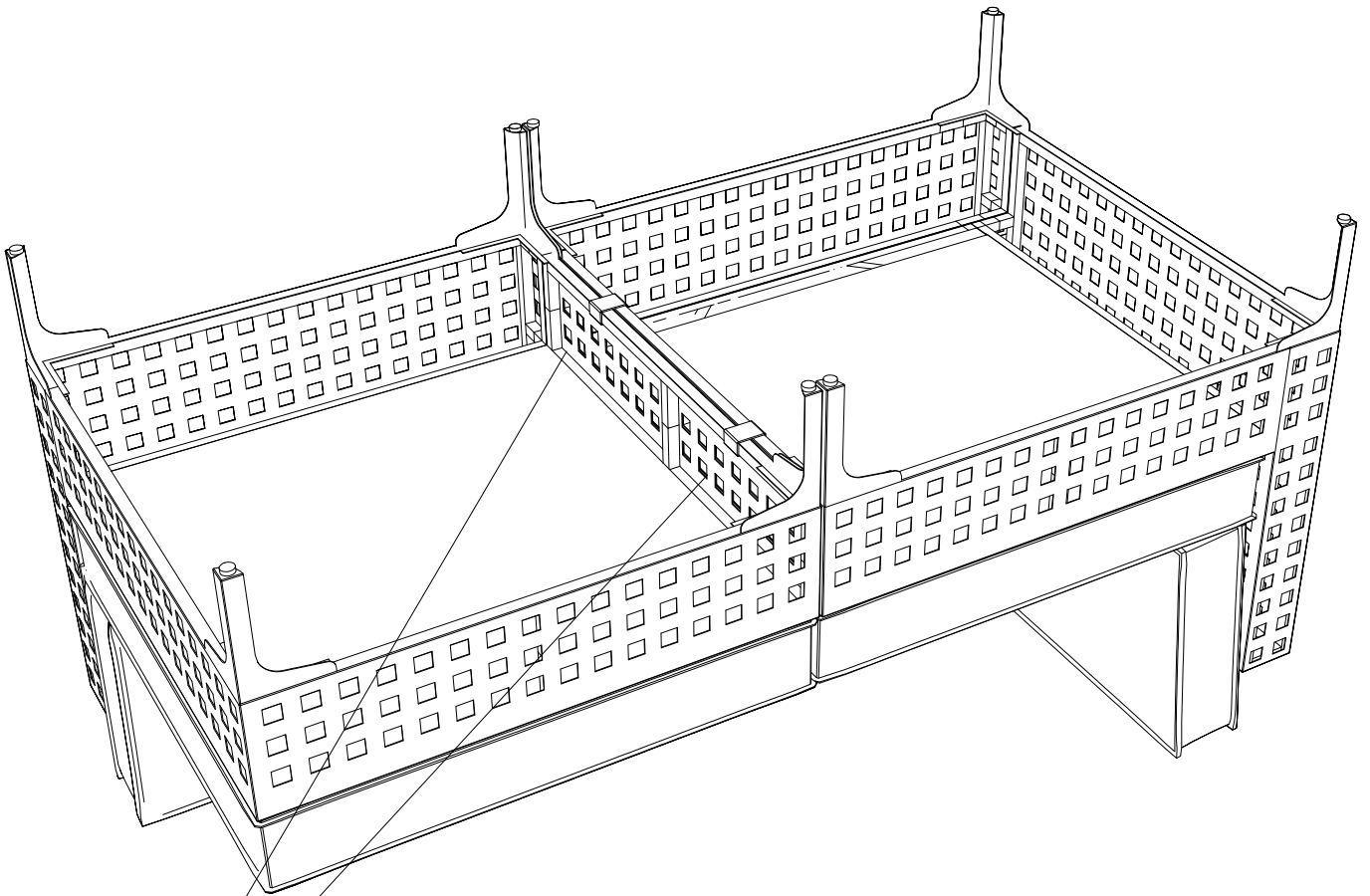
STEP 4



| | | | | | |
|--|-----|---|-----|---|-----|
| G | 1pc | H | 1pc | L | 1pc |
|  | |  | |  | |

Do not fully tighten all screws until assembly is completed.

U-Shaped Connector



You can scald it with hot water to soften it.