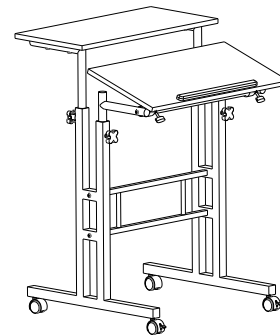


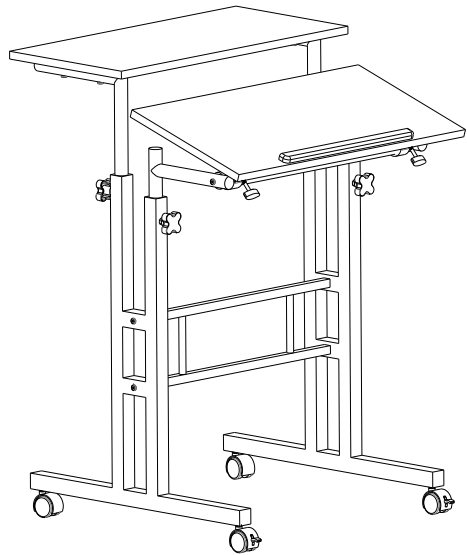
Liftable Computer Desk

Tips!

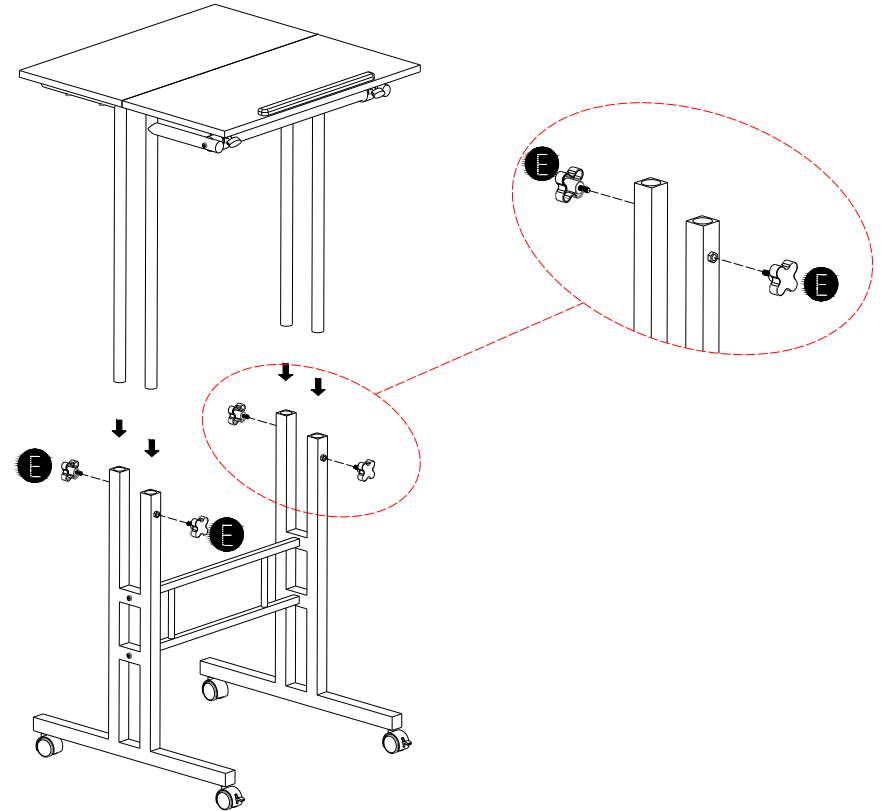
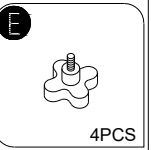
Check all the components & screws before assembly. Do not install in case part is missing, contact us to get.



Item Description: Liftable Computer Desk

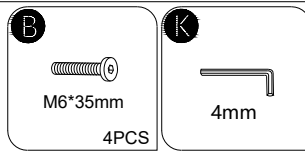
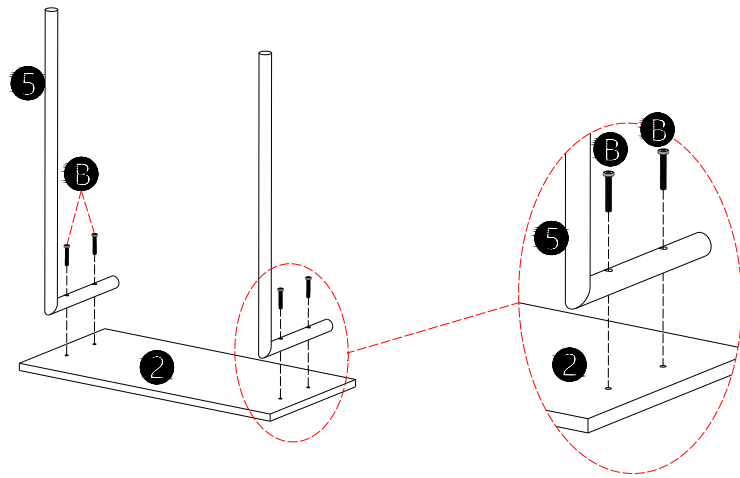


Step 5

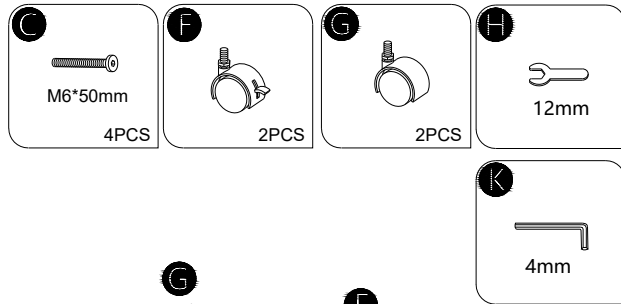
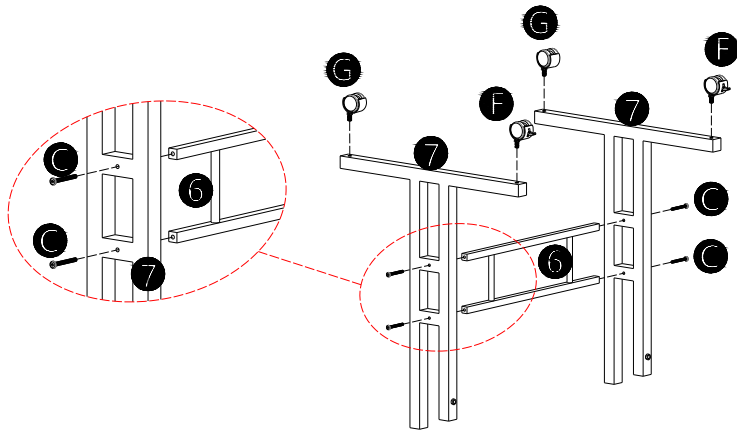


Check and tighten all screws

Step 3





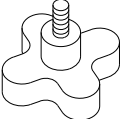
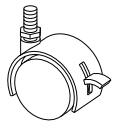
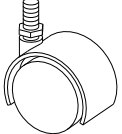
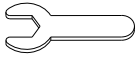
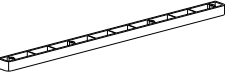
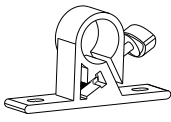



Step 4

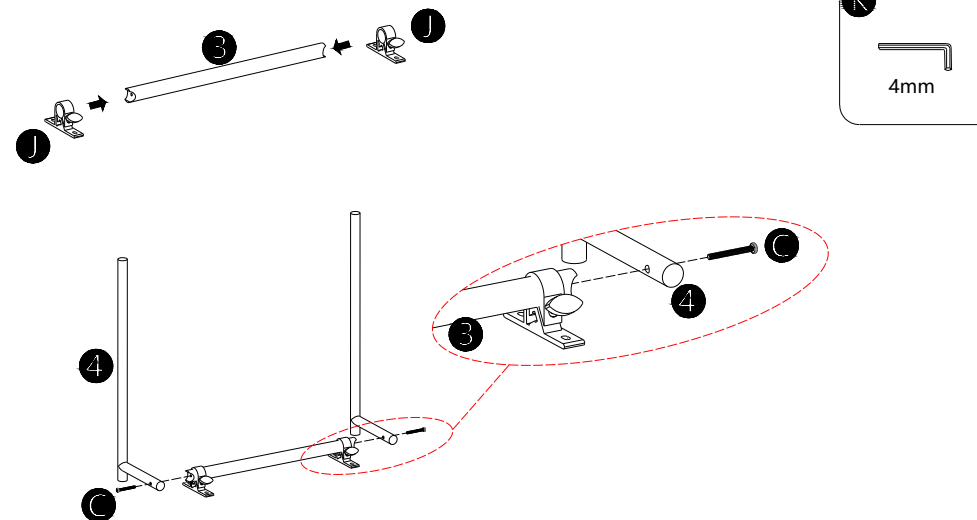


Components

1	 610*295mm	1PC	2	 610*295mm	1PC
3	 Ø32*517mm	1PC	4	 623*210mm	2PCS
5	 618*232mm	2PCS	6	 490*144mm	1PC
7	 634*558mm	2PCS			

A	 M6*15mm	4PCS	B	 M6*35mm	4PCS
C	 M6*50mm	6PCS	D	 Ø4*22mm	4PCS
E		4PCS	F		2PCS
G		2PCS	H	 12mm	1PC
I		1PC	J		2PCS
K	 4mm	1PC			

Step 1



Step 2

