

ASSEMBLY INSTRUCTION

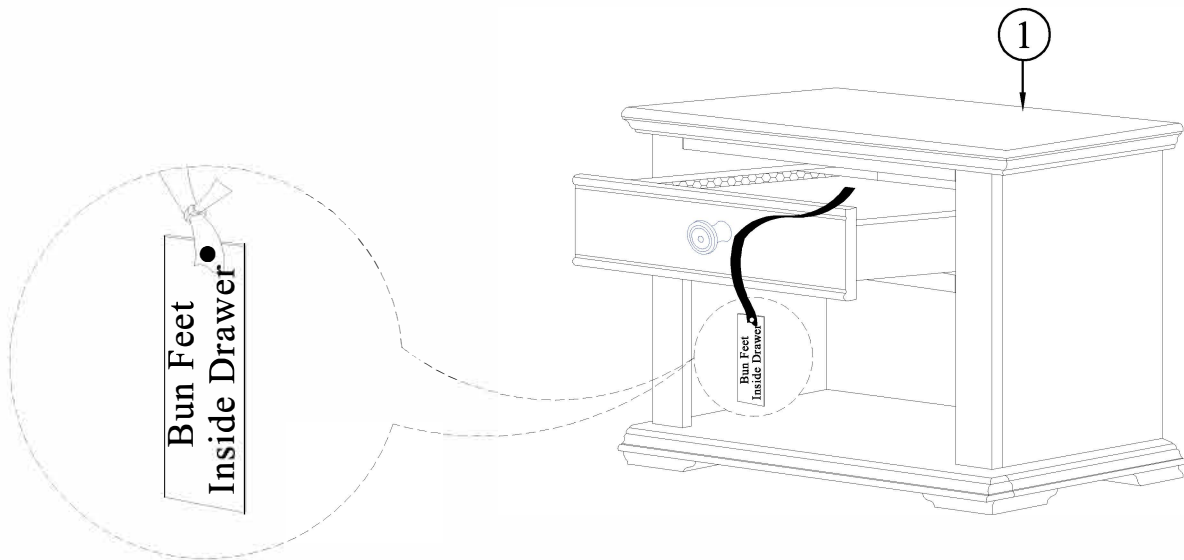
SMALL NIGHTSTAND

BEFORE YOU START ASSEMBLING,
PLEASE MAKE SURE ALL PARTS & HARDWARE ARE INCLUDE IN BOX :

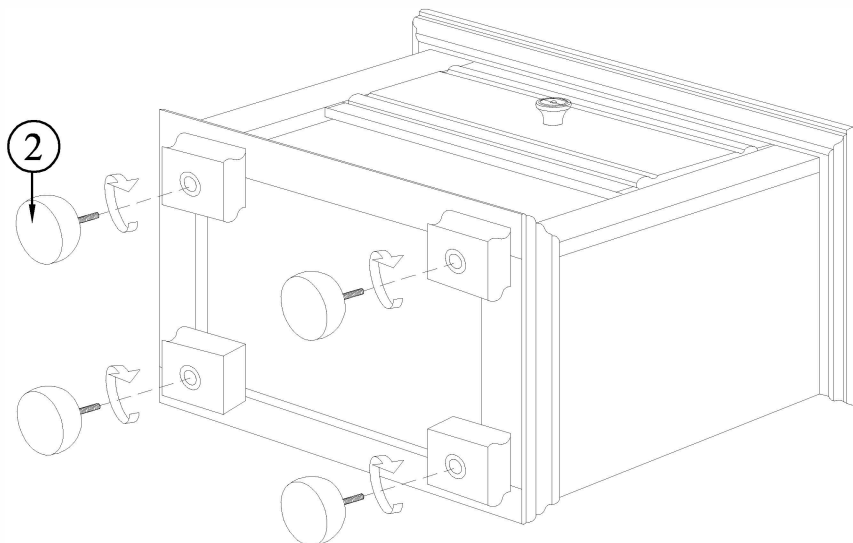
THE PRODUCT IS INTENDED FOR USE BY YOUTH 6 YEARS OLD & OLDER

NO	PARTS	QTY
1	SMALL NIGHTSTAND	1 PC
2	BUNFEET	4 PCS

STEP-1



STEP-2



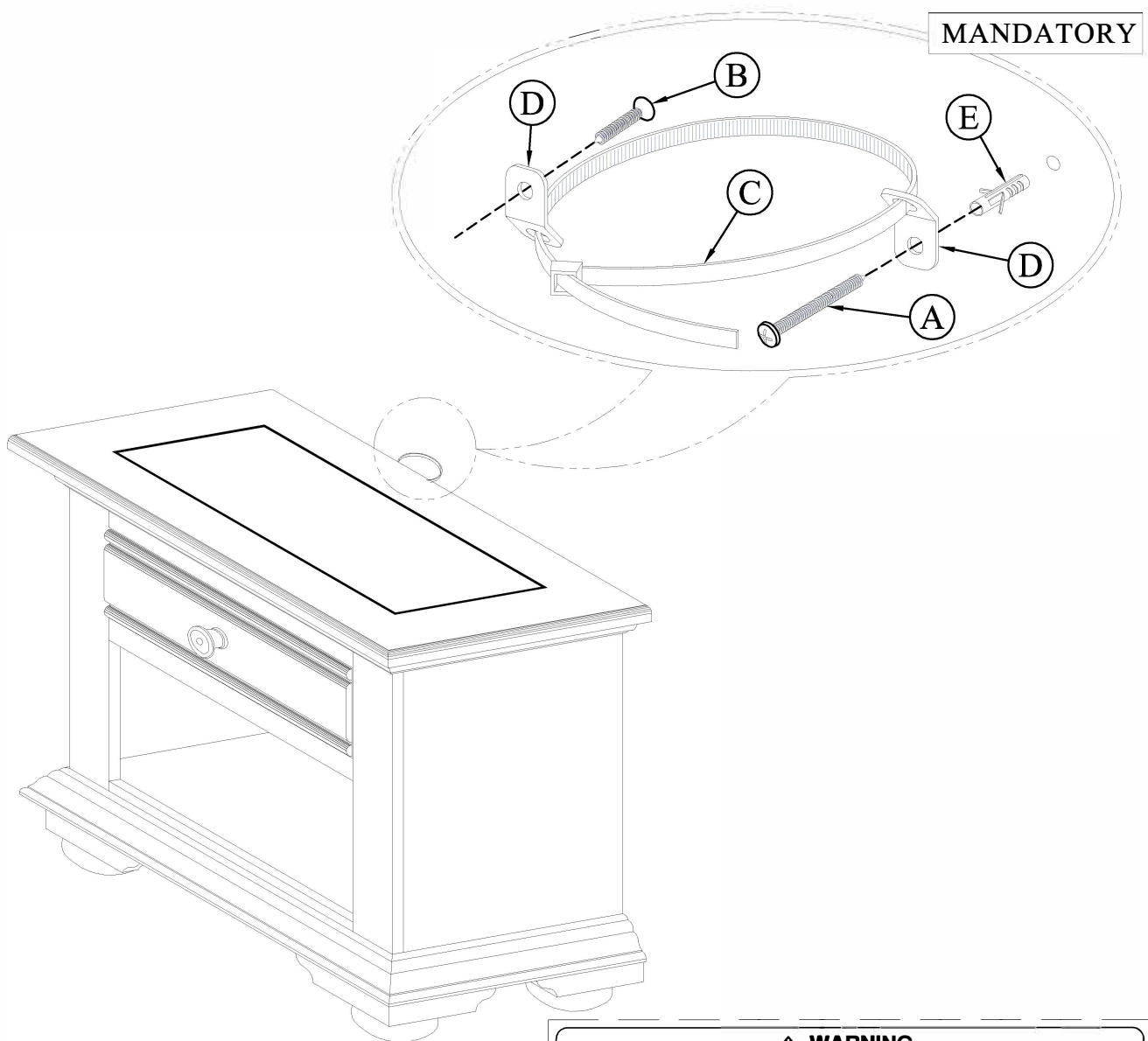
ASSEMBLY INSTRUCTION

SMALL NIGHTSTAND

BEFORE YOU START ASSEMBLING,
PLEASE MAKE SURE ALL PARTS & HARDWARE ARE INCLUDE IN BOX :

NO	PARTS	QTY
1	SMALL NIGHTSTAND	1 PC

NO	HARDWARE	QTY
A	SCREW Ø8 x 2"	1 PC
B	SCREW Ø8 x 5/8"	1 PC
C	RESTRAINT STRAP	1 PC
D	BRACKET	2 PCS
E	PLASTIC ANCHOR	1 PC



▲ WARNING		
	Children have died from furniture tipover. To reduce the risk of furniture tipover:	
	<ul style="list-style-type: none"> • ALWAYS install anti-tip device provided. • NEVER put a TV on this product. • NEVER allow children to stand, climb or hang on any drawers, doors, or shelves. • NEVER open more than one drawer at a time. • Place heaviest items in the lowest drawers. 	
<i>This is a permanent label. Do not remove!</i>		