

AFTERSALE SERVICE

Dear customer,

Thank you so much for purchasing the product from us, we really appreciate your support.

We are aimed to provide the best shopping experience to our customers. We also want to build a mutually beneficial relationship with our customers, and step further to make our brand both reliable, responsible and recommendable.

We hope that our products could meet your needs and expectations, please consider us again if you need more products for your home and kitchen.

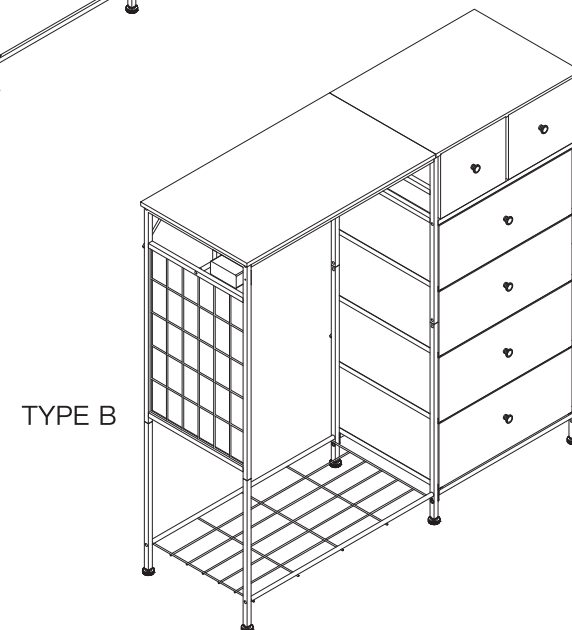
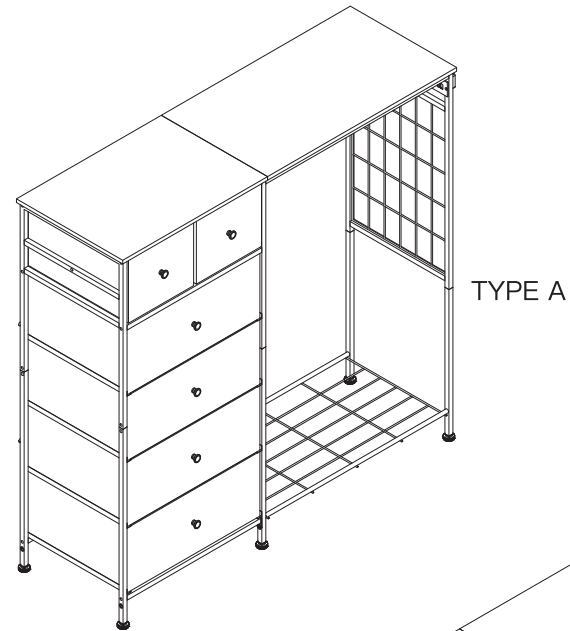
The package would be out of our control during shipping, please contact us through your purchasing channel directly if there is anything wrong with the box or contents. We are always here offering you our service.

We will reply your messages within 24 hours, please kindly wait for the response from our professional service team.

Your comfort and contentment are of utmost importance.

Best Regards,
Customer Care Specialist

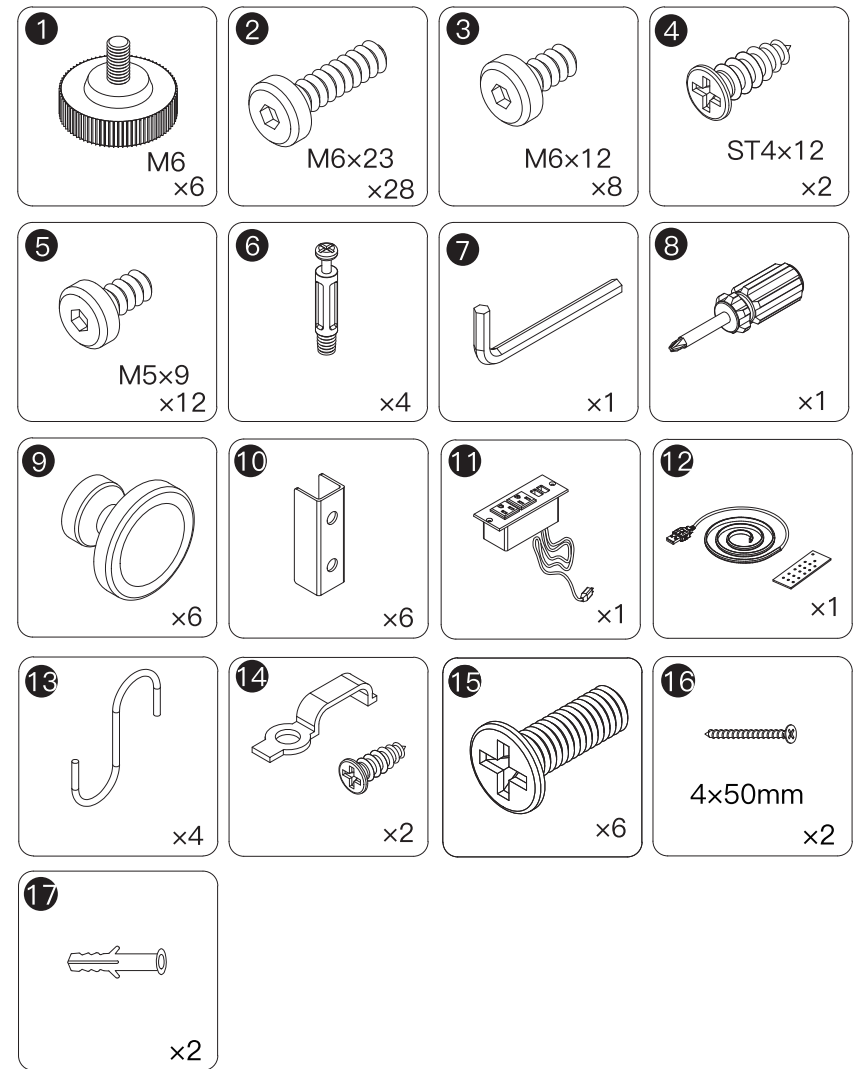
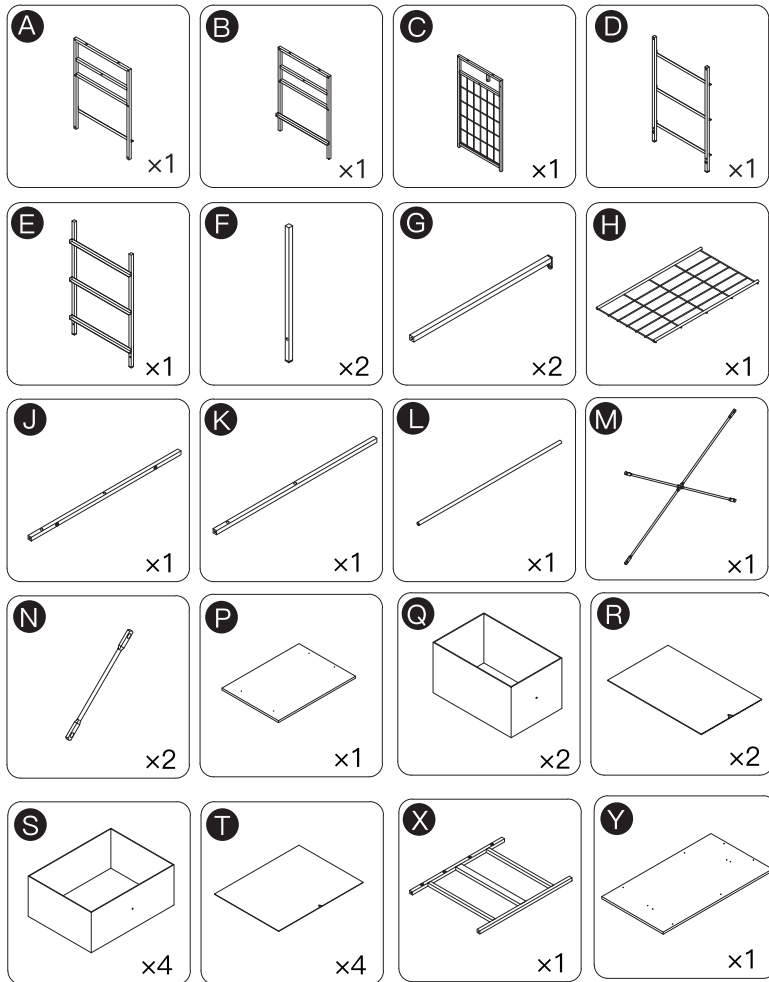
ASSEMBLY INSTRUCTION



Please check all parts and accessories according to the parts list before assembling, make sure all contents are sufficient and in good condition.

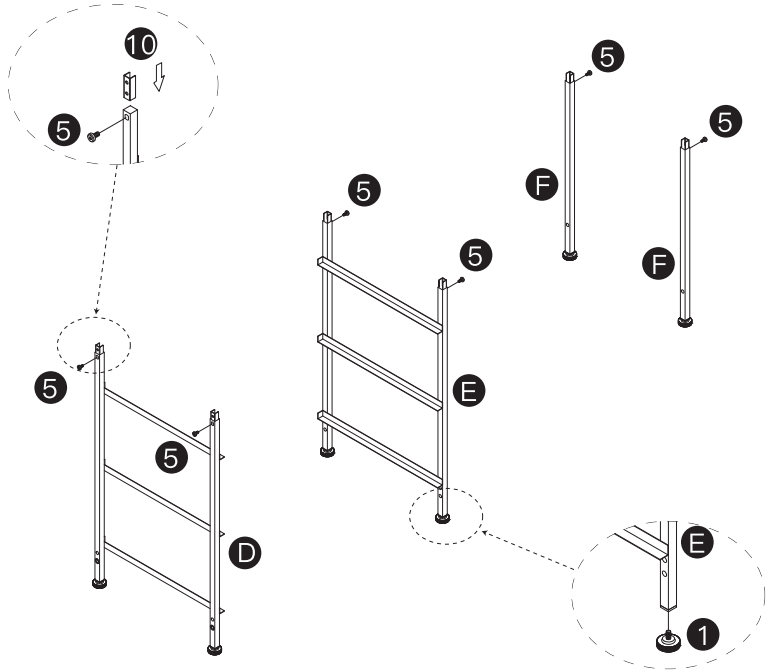
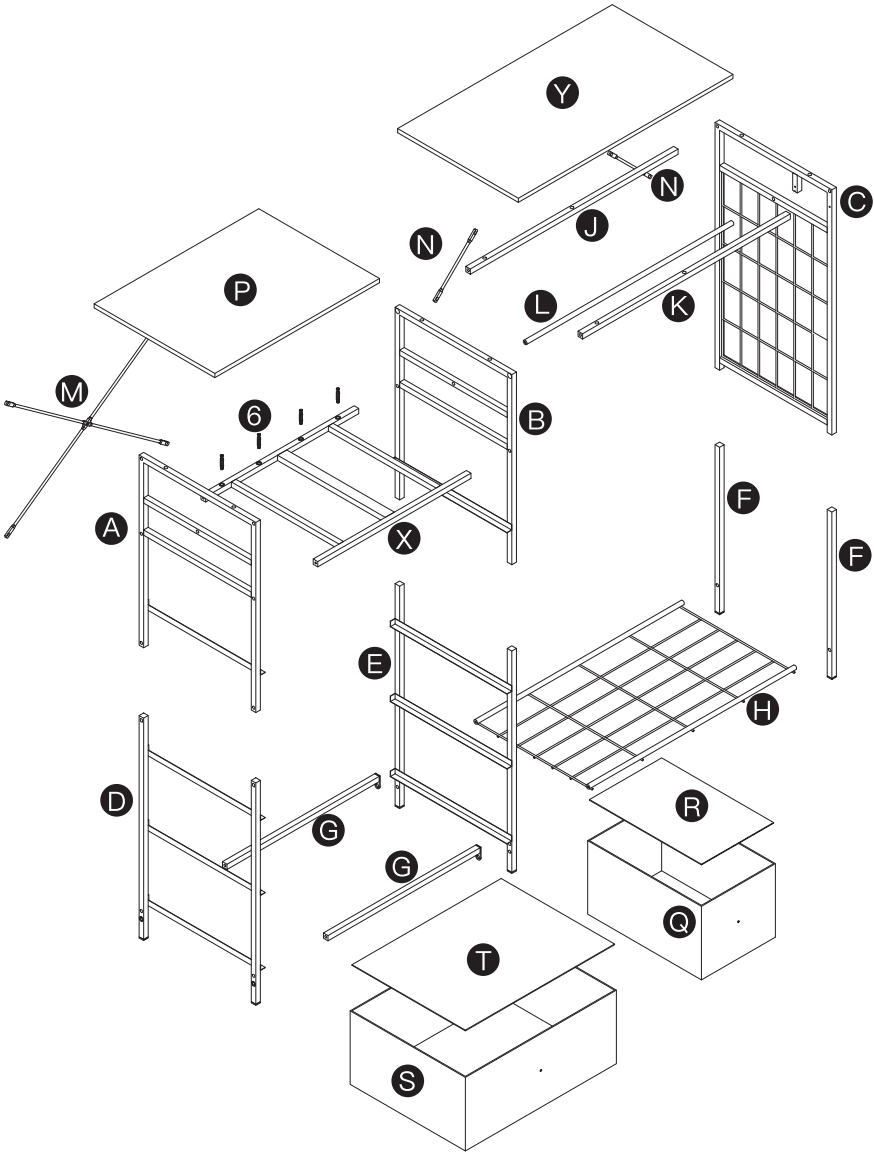
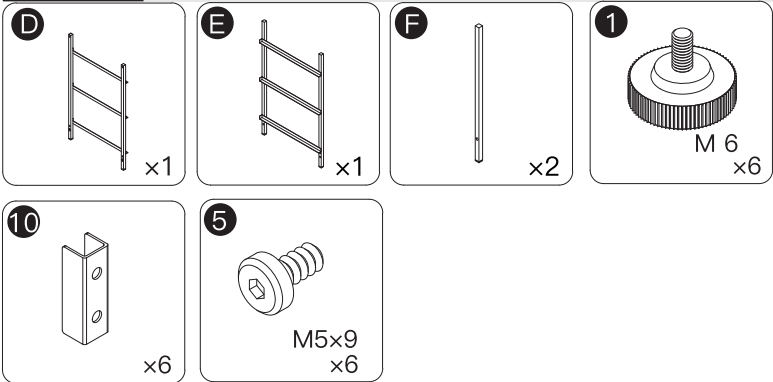
If there is any parts missing or defective, please contact us immediately with purchase platform message to get replacement parts.

PARTS:

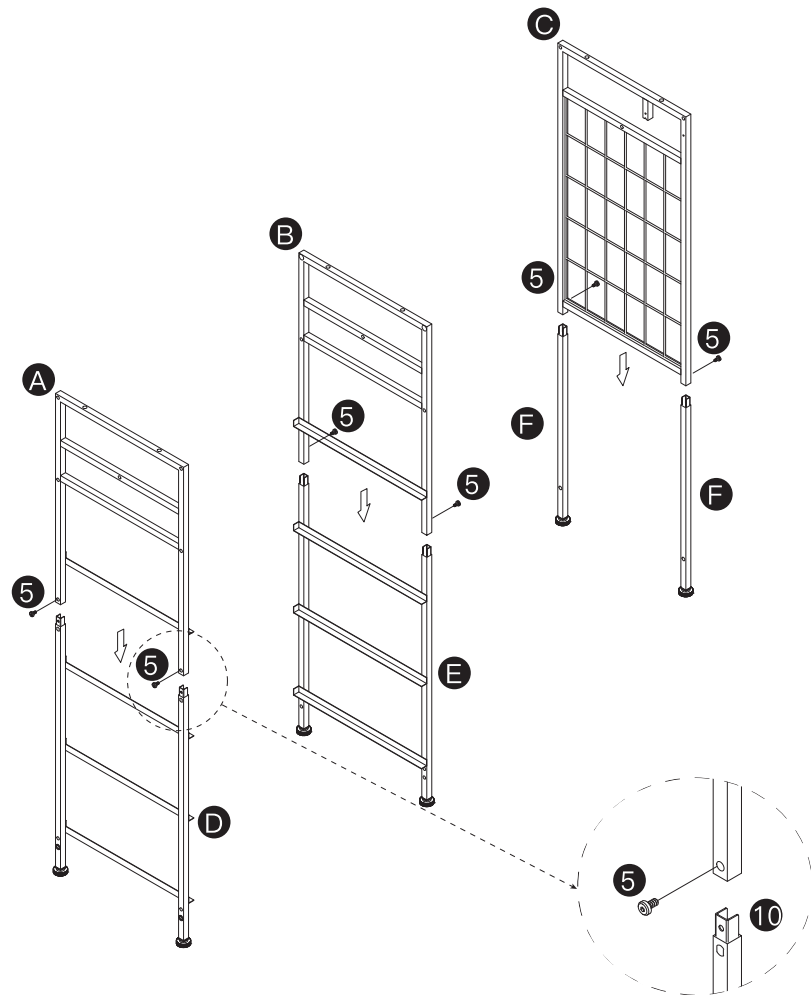
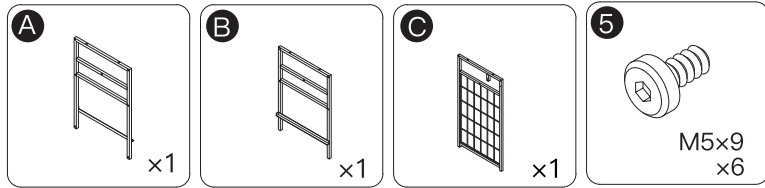


TYPE-A INSTALLATION

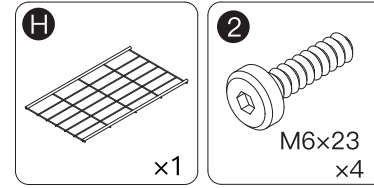
Step 1 Install part 10 on part D E & F, use part 5 to screw them and install part 1 under part D E & F



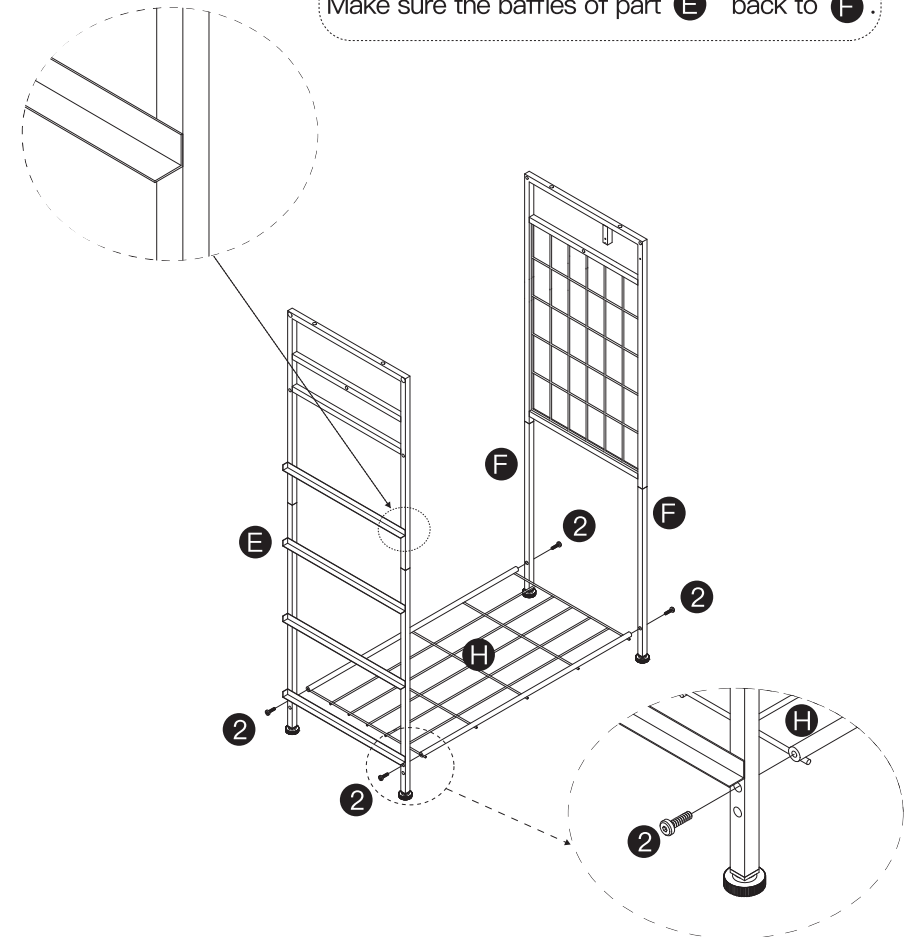
Step 2 Connect part **A** & **D**, **B** & **E**, **C** & **F** with part **10**, use part **5** to screw them.



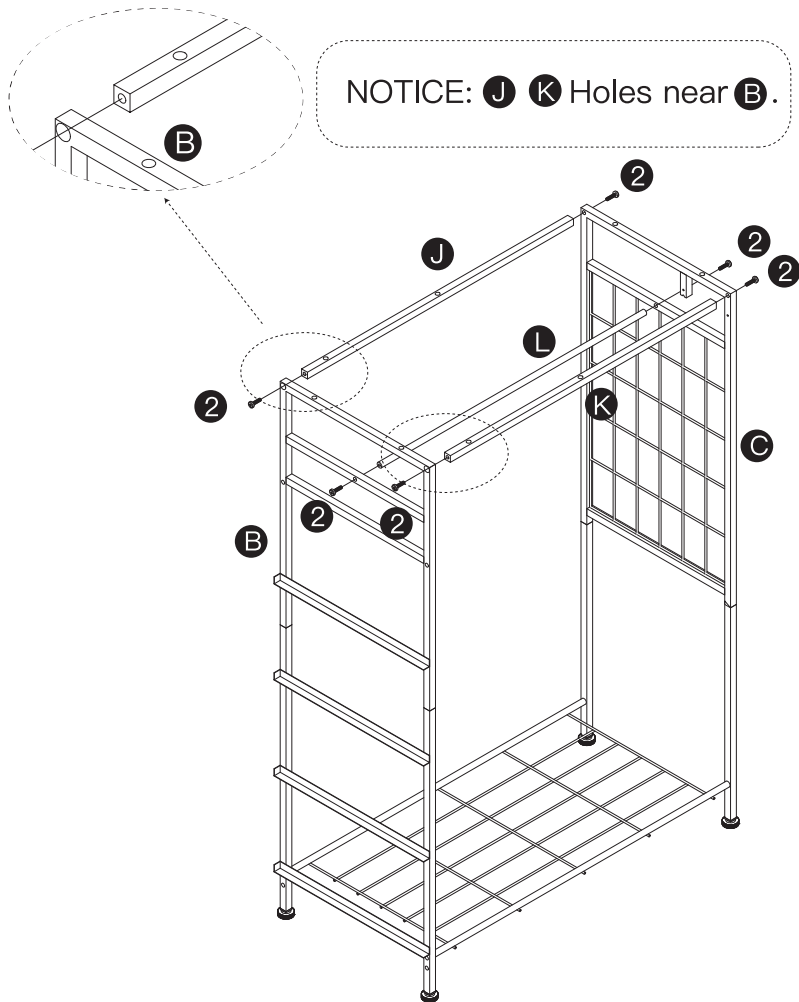
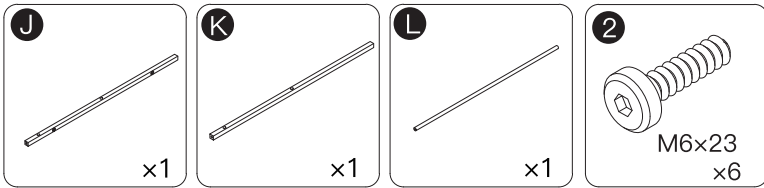
Step 3 Connect part **E** and **F** with part **H**, use part **2** to screw them.



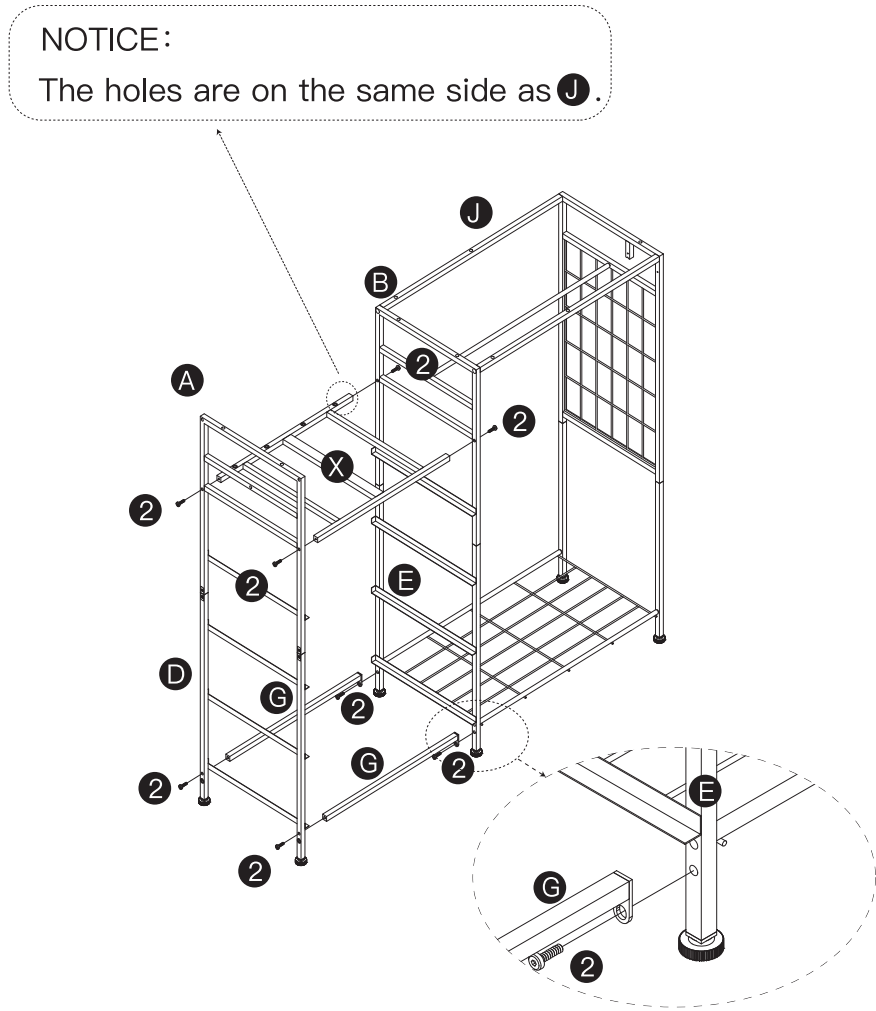
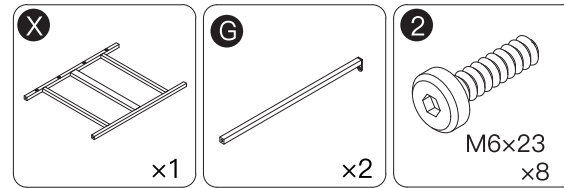
NOTICE:
Make sure the baffles of part **E** back to **F**.



Step 4 Connect part **B** and **C** with part **J** **K** **L**, use part **2** to screw them.

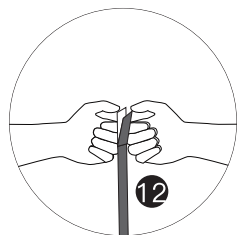
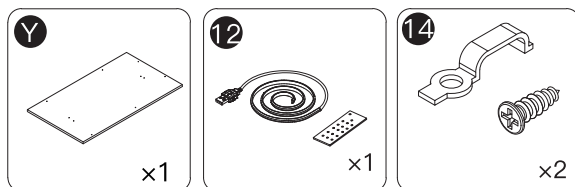


Step 5 Connect part **A** and **B** with **X** and connect part **D** and **E** with **G**, use part **2** to screw them



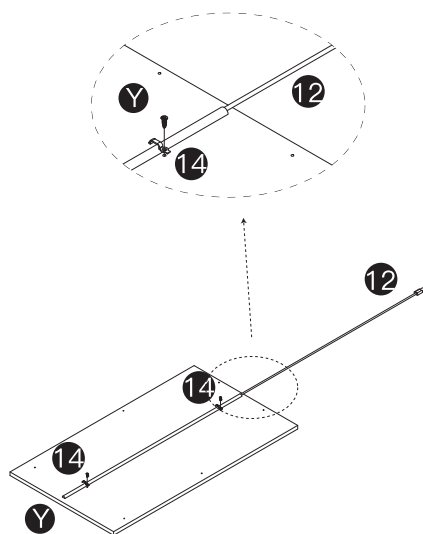
Step 6

Install part 12 on part Y, use part 14 to screw them.



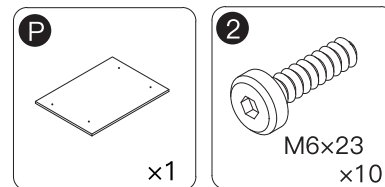
NOTICE:

Please remove the tape from the back of part 12 firstly.



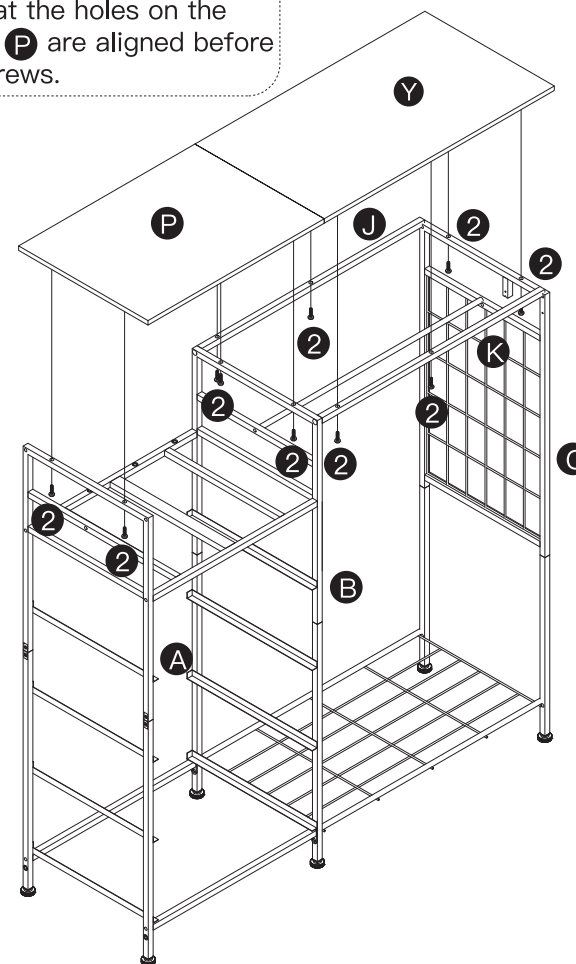
Step 7

Install part P on part A and B. Install part Y on part K, J and C and use part 2 to screw them.

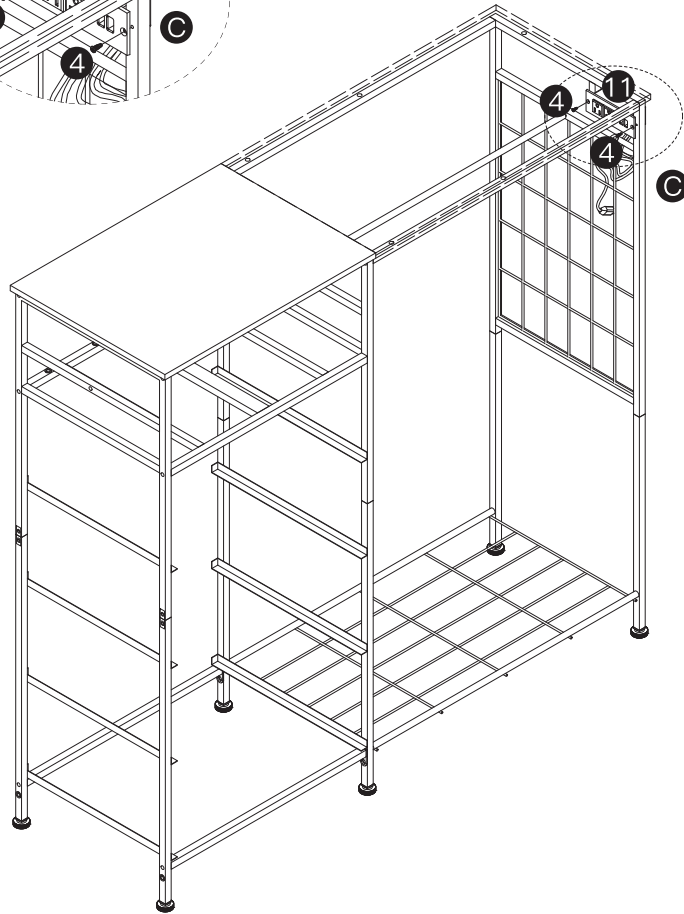
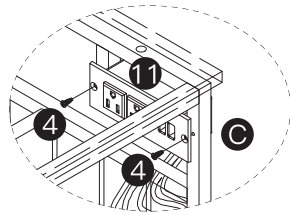
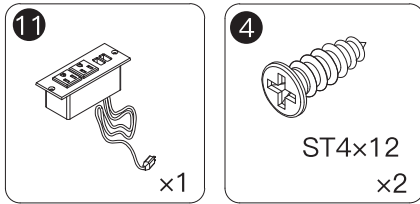


NOTICE:

Please ensure that the holes on the frame and board P are aligned before tightening the screws.

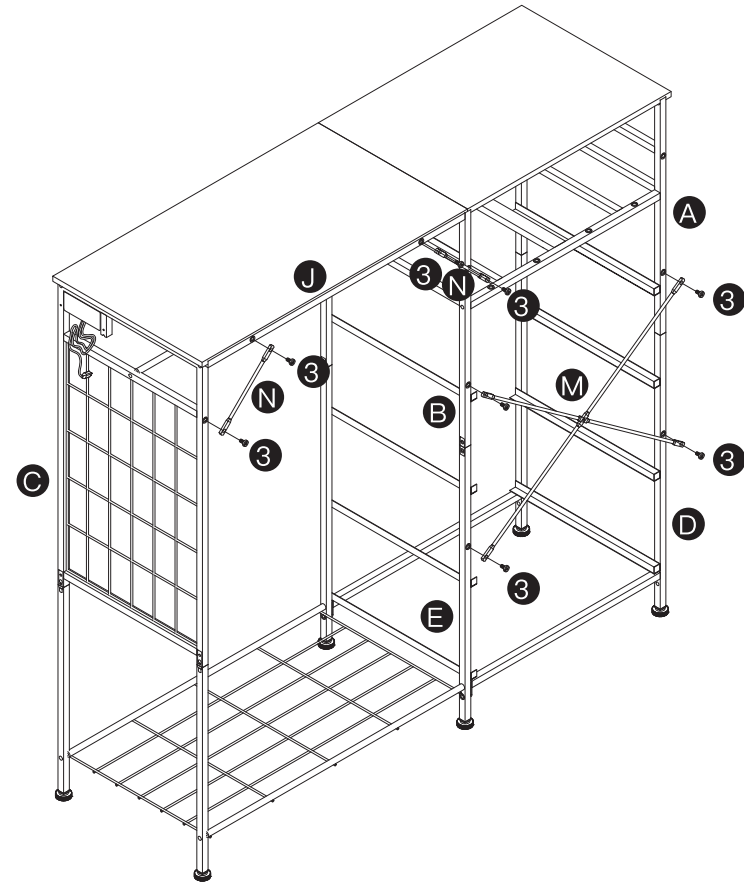
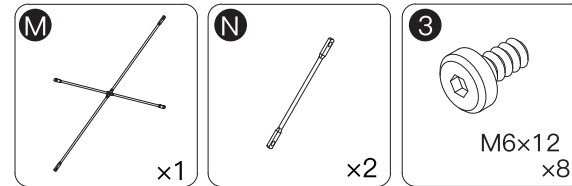


Step 8 Install part **11** on part **C**, use part **4** to screw them.

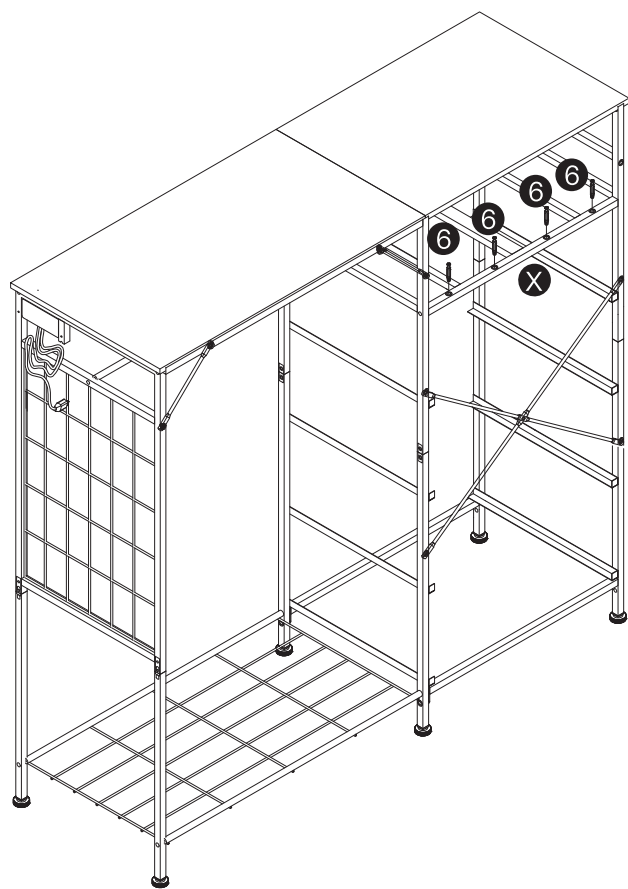
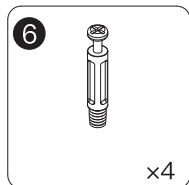


Step 9

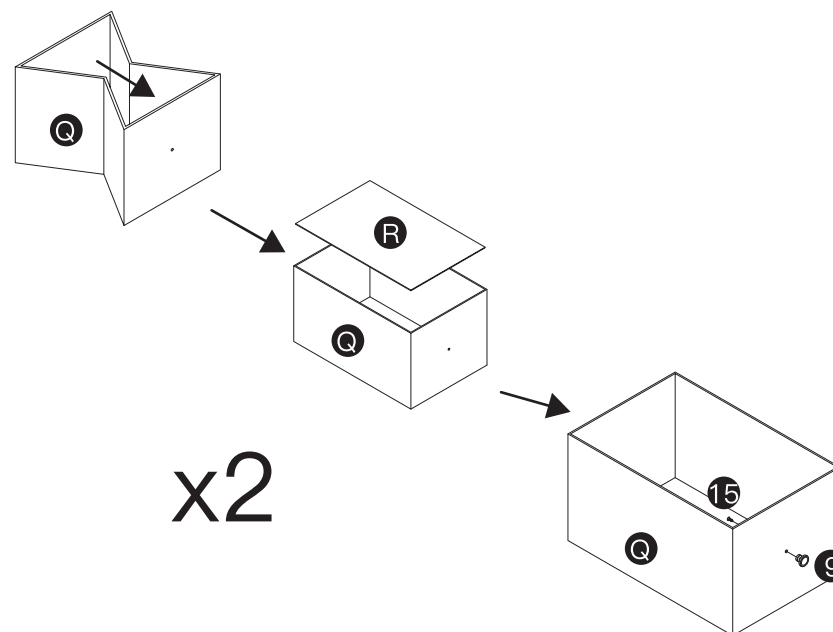
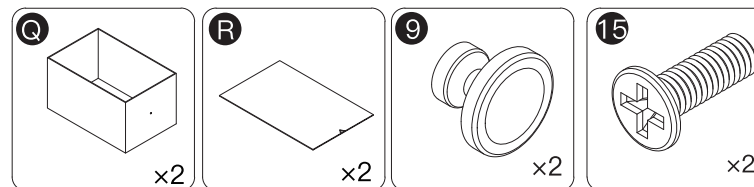
Install part **N** on part **C** **J** and **B**, use part **3** to screw them. Install part **M** on part **A** **B** **D** **E** use part **3** to screw them.



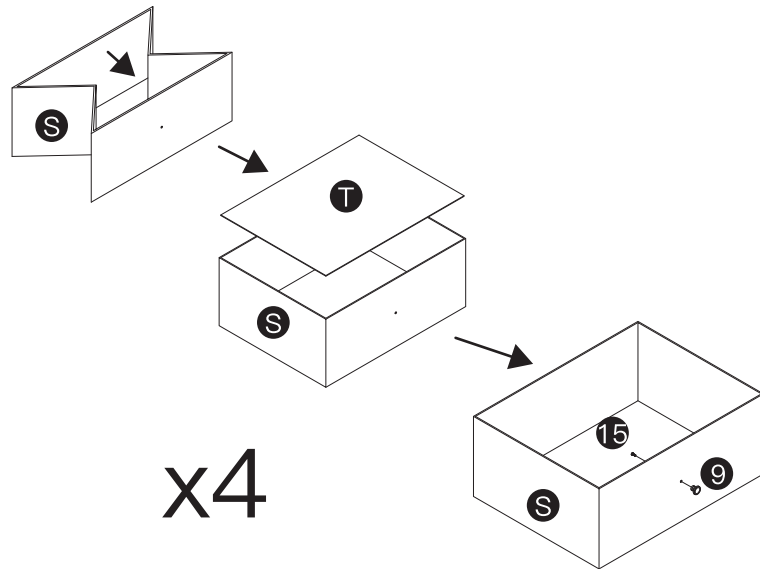
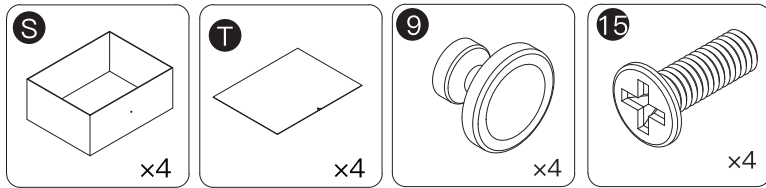
Step 10 Install part **6** on part **X** .



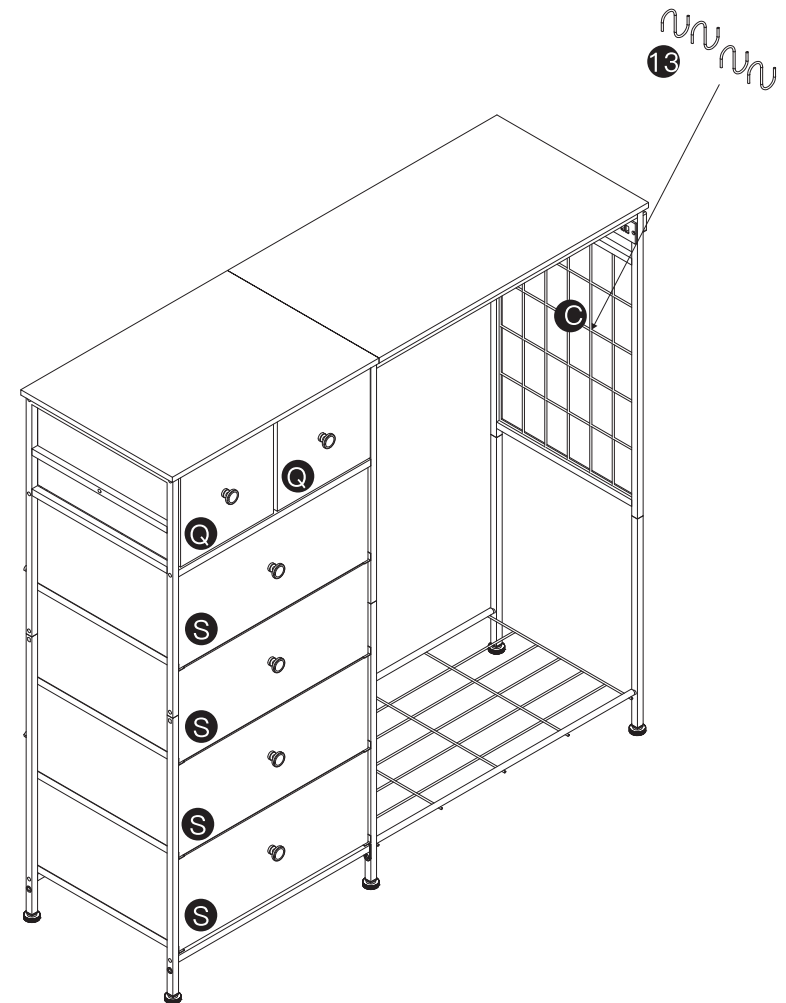
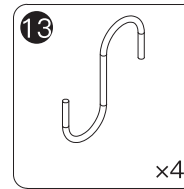
Step 11 Open the drawers (part **Q**) and put part **R** inside, and install part **9** on the drawers with part **15** .



Step 12 Open the drawers (part **S**) and put part **T** inside, and install part **9** on the drawers with part **15**.

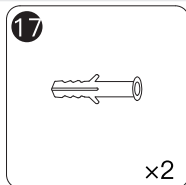
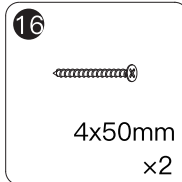


Step 13 Put all drawers into the frame. Install part **13** on part **C**.



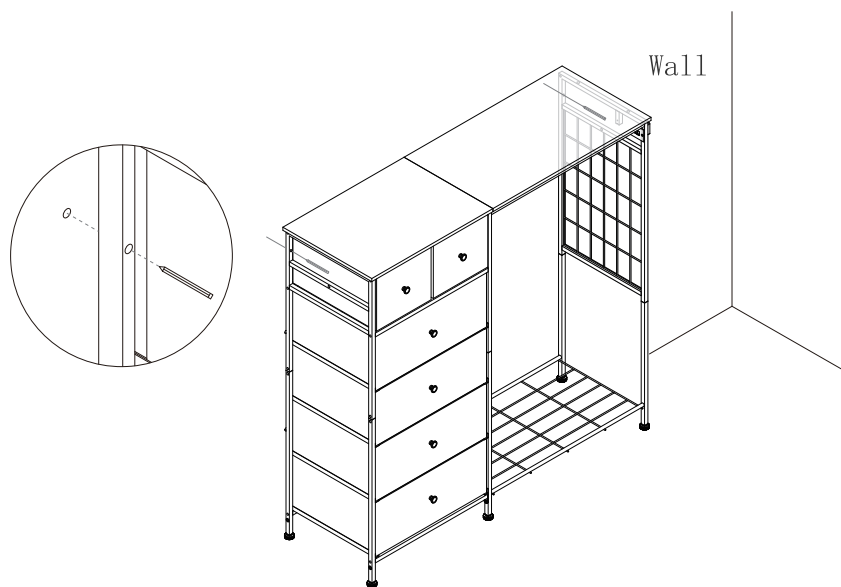
Step 14

(Optional) Drill two holes on a solid wall and insert wall anchors of part 17 inside the holes, then lock the rack with part 16 .



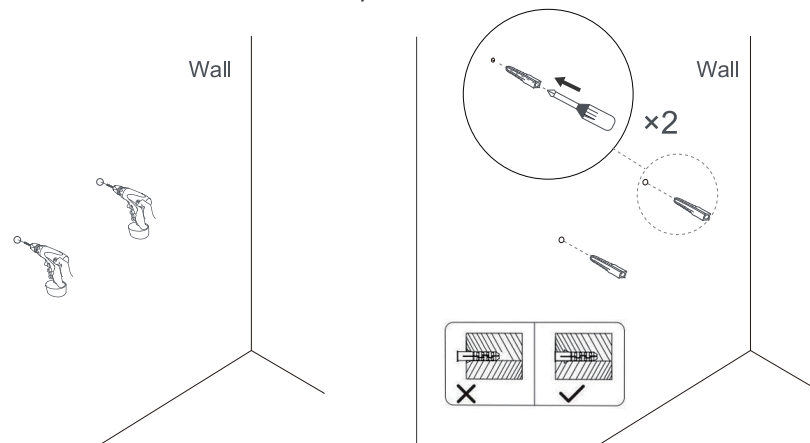
Step 1

REMARK Mark the location on the wall. Where the anchor will go.



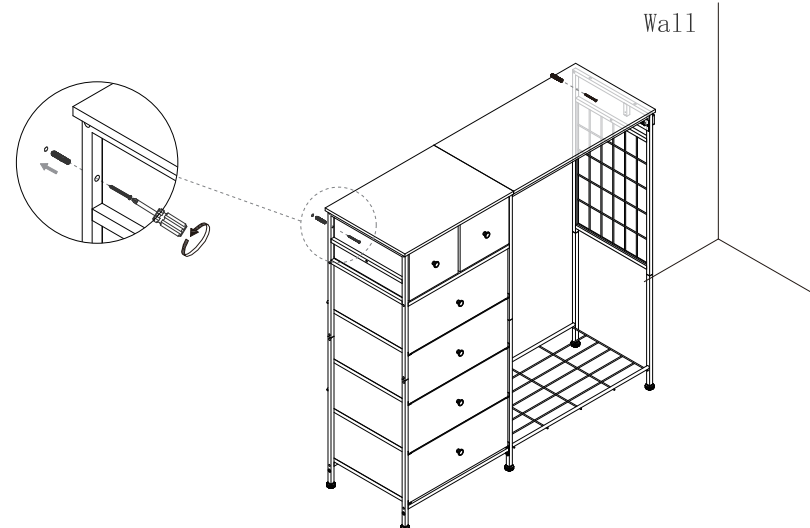
Step 2

Follow the mark you made, with a 1/4 drill bit, drill 2 holes into the wall. Use philips head screwdriver or stubby screwdriver, screw the plastic anchors into the holes until they are flush to the wall.



Step 3

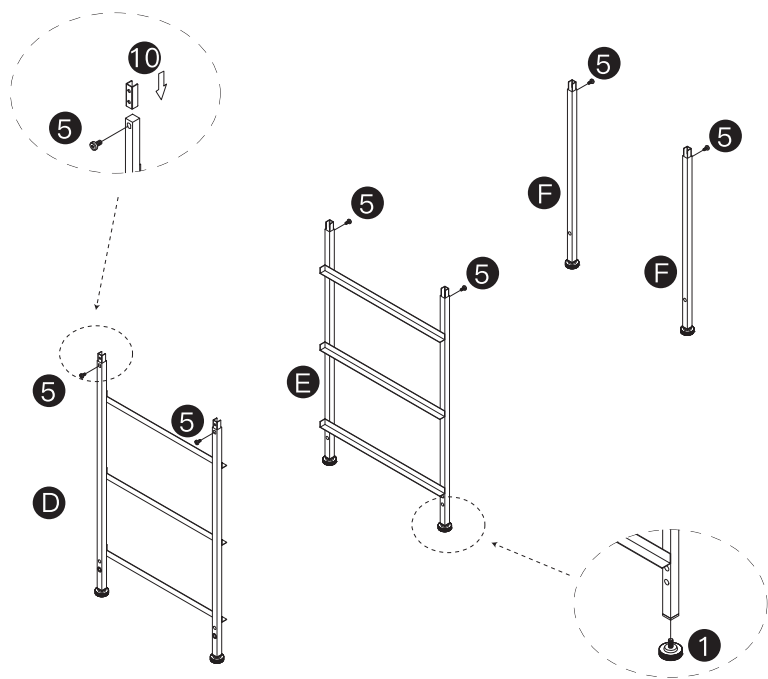
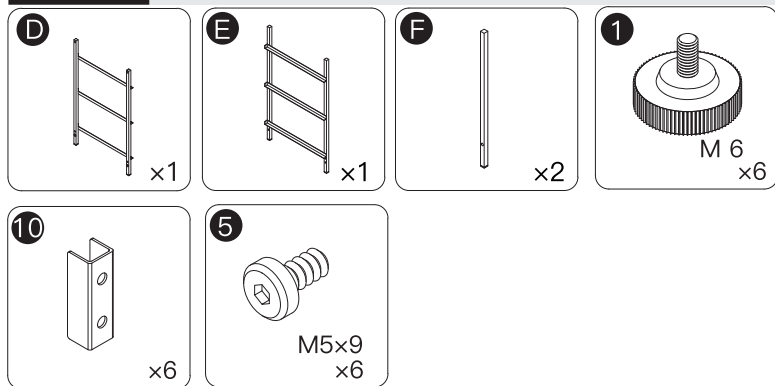
Insert 1 screw through each metal bracket and into the drywall anchor. Tilt your philips head screwdriver and secure but do not over tighten.



TYPE-B INSTALLATION

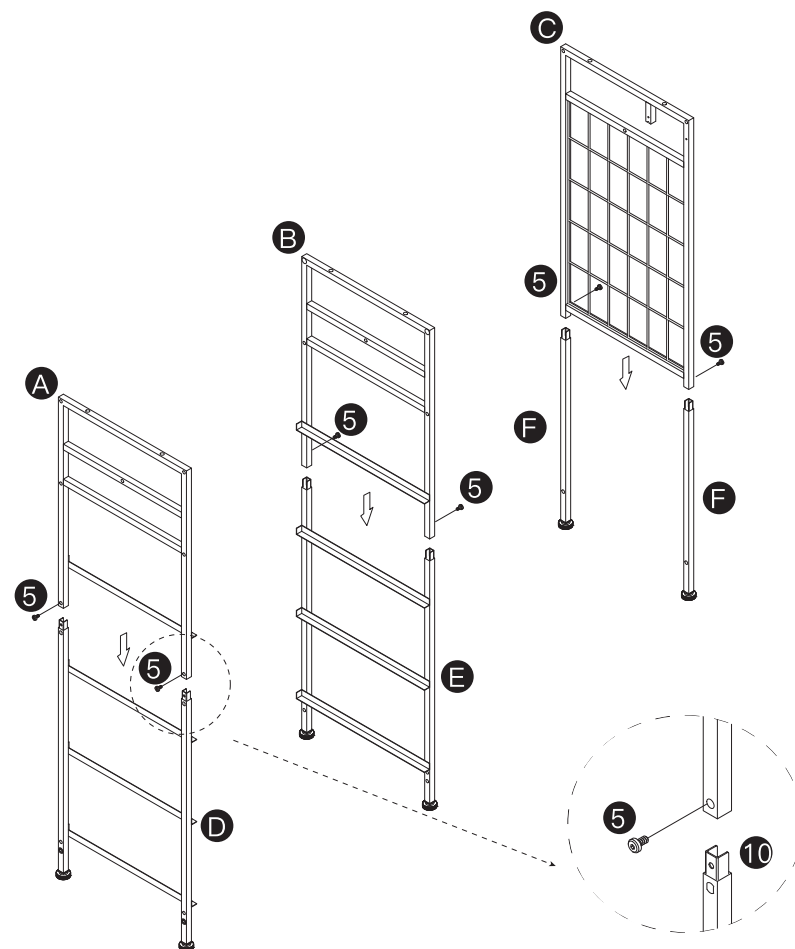
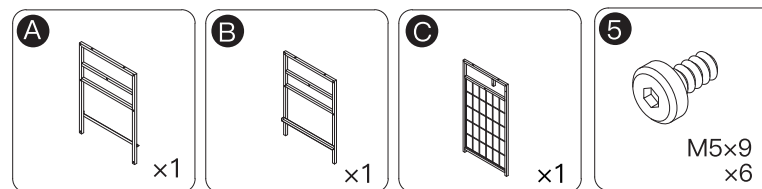
Step 1

Install part 10 on part D E & F, use part 5 to screw them and install part 1 under part D E & F.

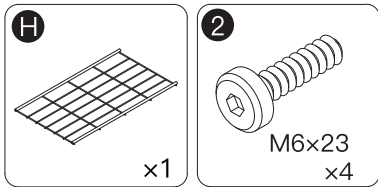


Step 2

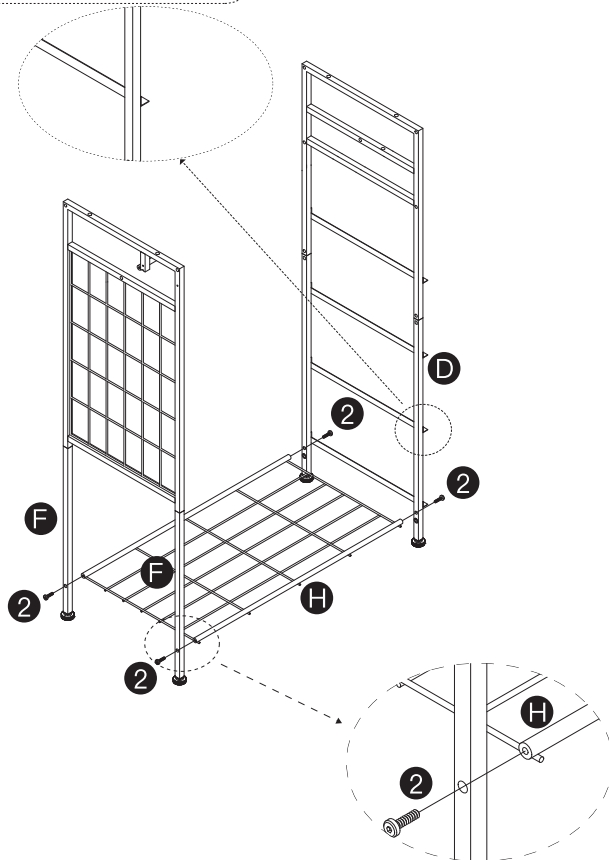
Connect part A & D, B & E, C & F with part 10, use part 5 to screw them.



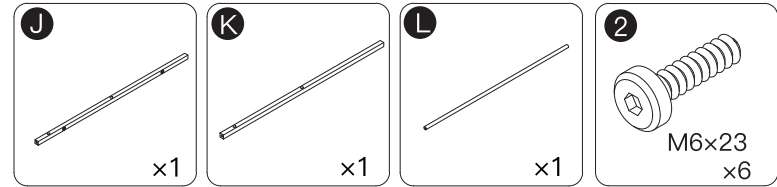
Step 3 Connect part **D** and **F** with part **H**, use part **2** to screw them.



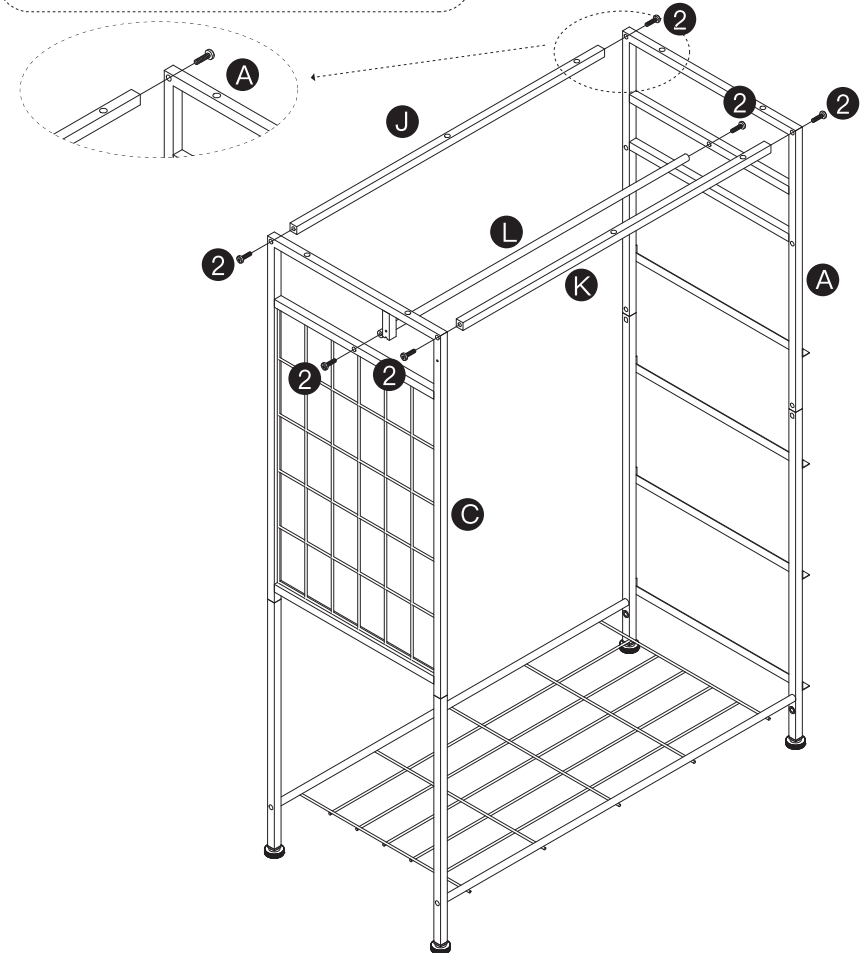
NOTICE:
Make sure the baffles of part **D** back to **F**.



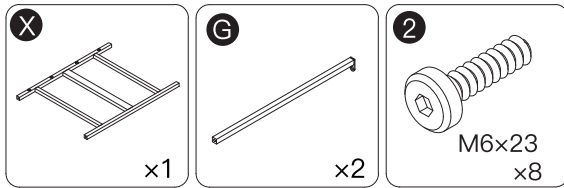
Step 4 Connect part **A** and **C** with part **J** **K** **L**, use part **2** to screw them.



NOTICE: **J** **K** Holes near **A**

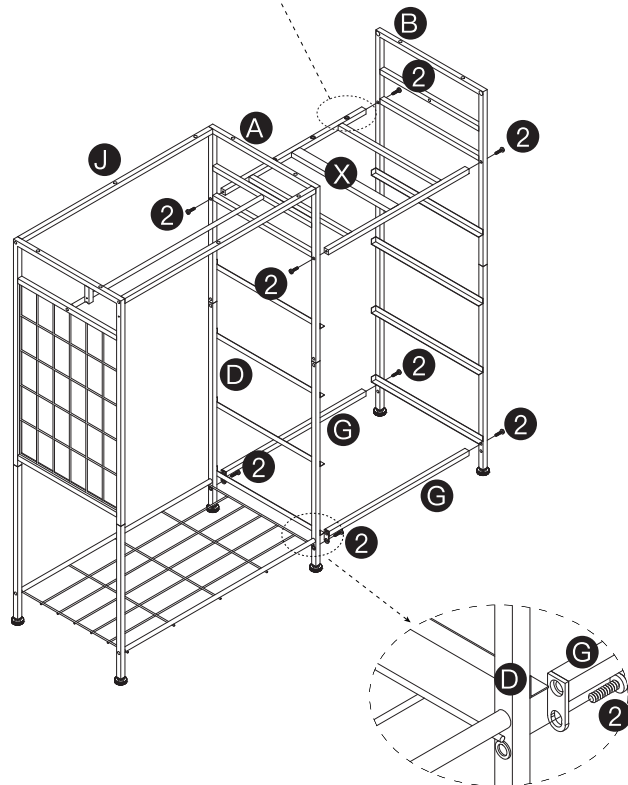


Step 5 Connect part **A** and **B** with **X** and Connect part **D** and **E** with **G**, use part **2** to screw them.

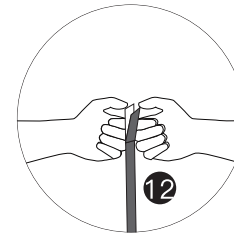
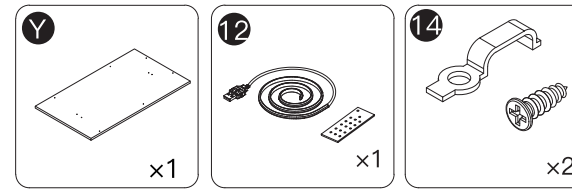


NOTICE:

The **X** holes are on the same side as **J**.

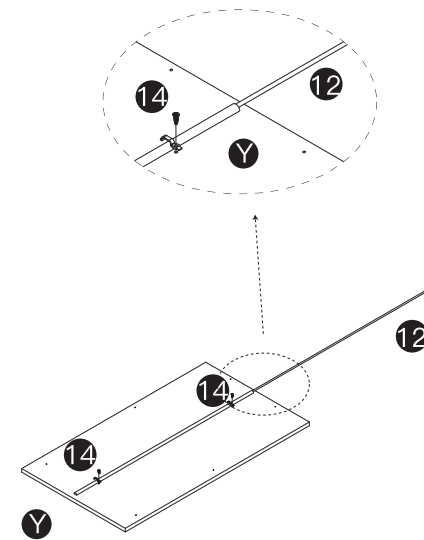


Step 6 Install part **12** on part **Y**, use part **14** to screw them.

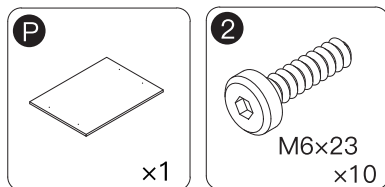


NOTICE:

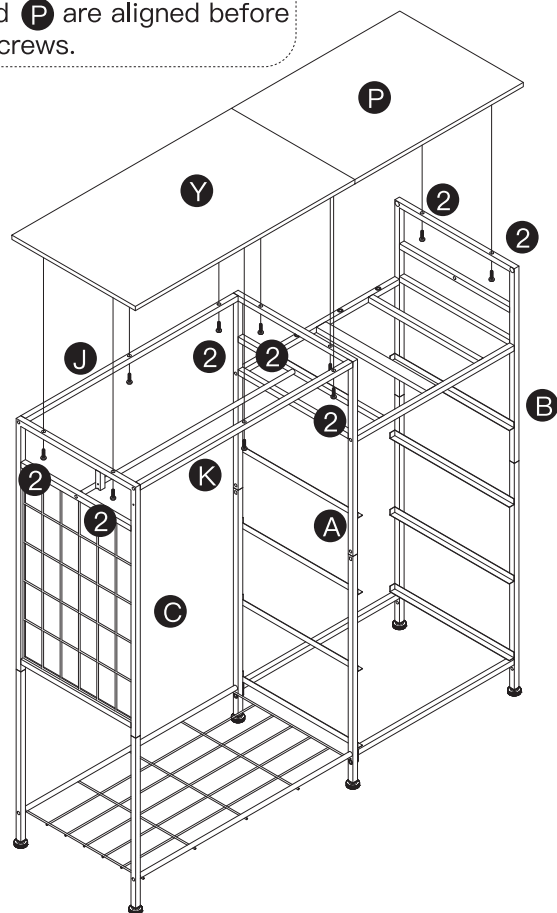
Please remove the tape from the back of part **12** firstly.



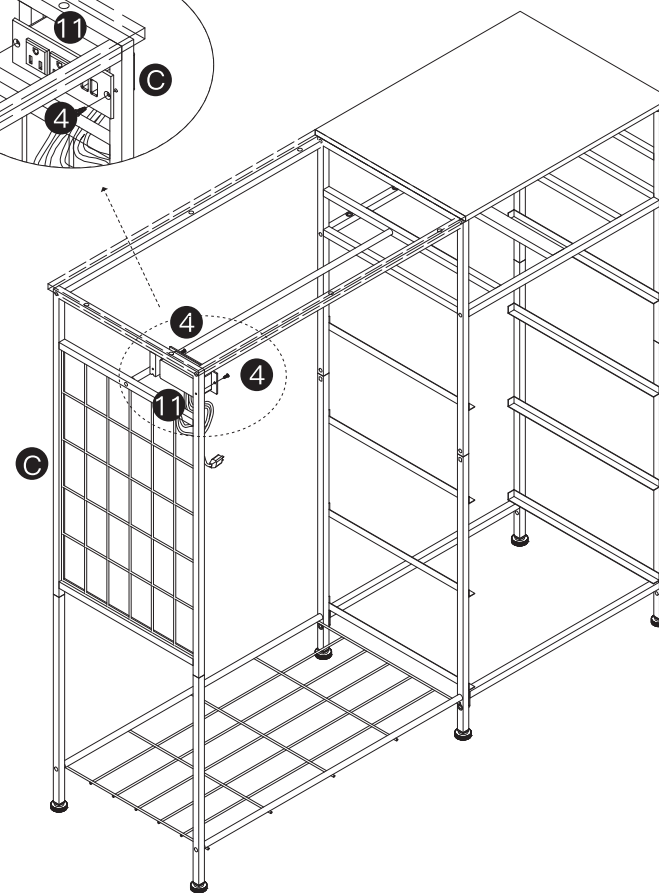
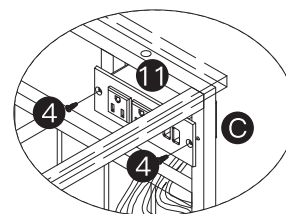
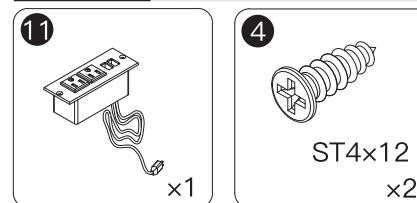
Step 7 Install part **P** and **Y** on frame use part **2** to screw them.



NOTICE:
Please ensure that the holes on the frame and board **P** are aligned before tightening the screws.

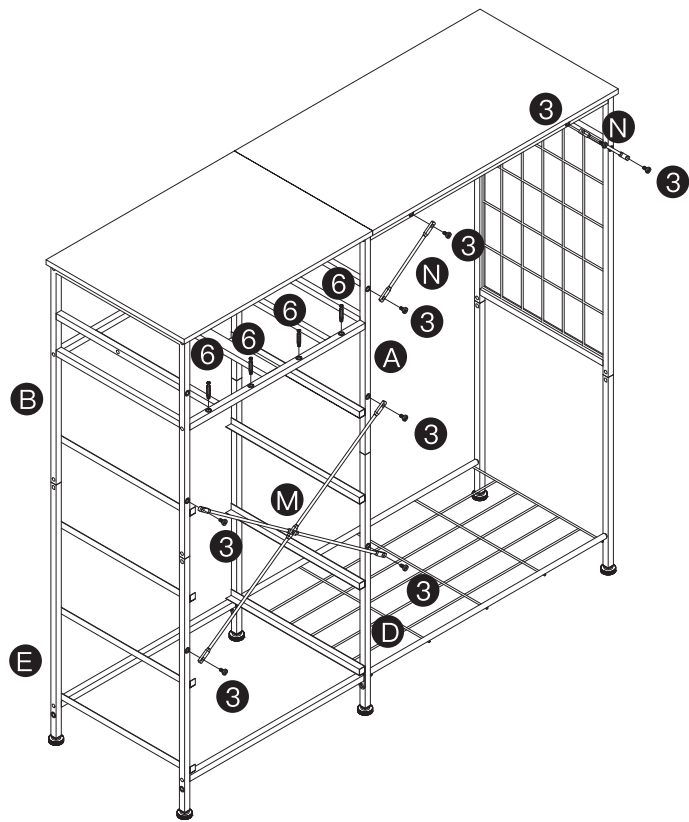
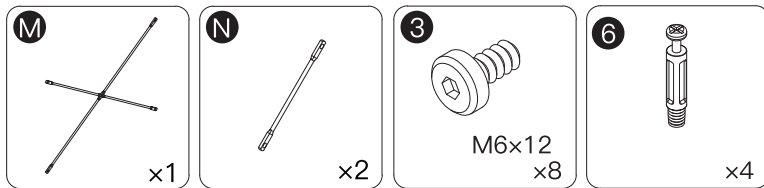


Step 8 Install part **11** on part **C**, use part **4** to screw them.



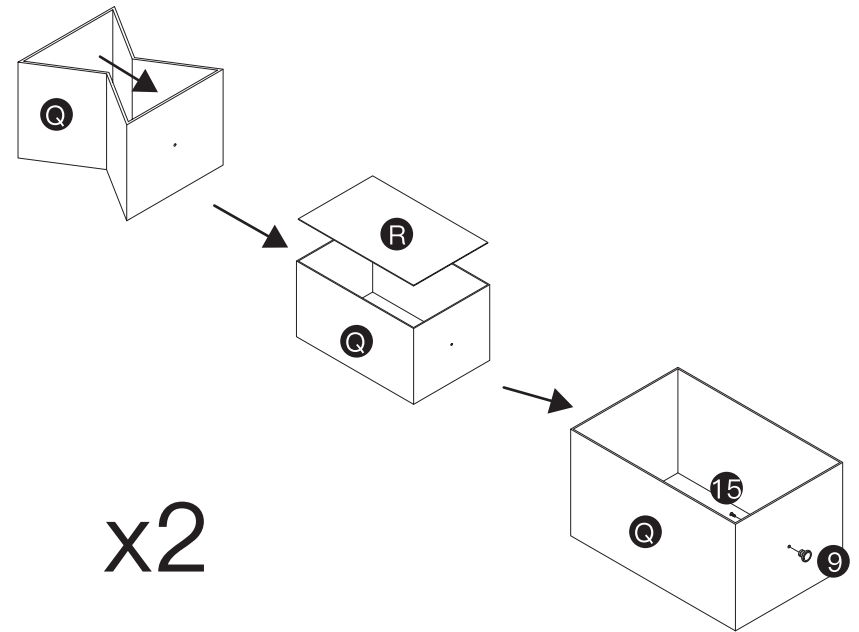
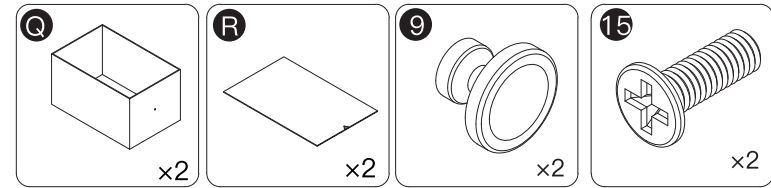
Step 9

Install part **N** on Part **C** **J** and **A** , use part **3** to screw them. Install part **6** on part **X** and Install part **M** on part **A** **B** **D** **E** use part **3** to screw them.

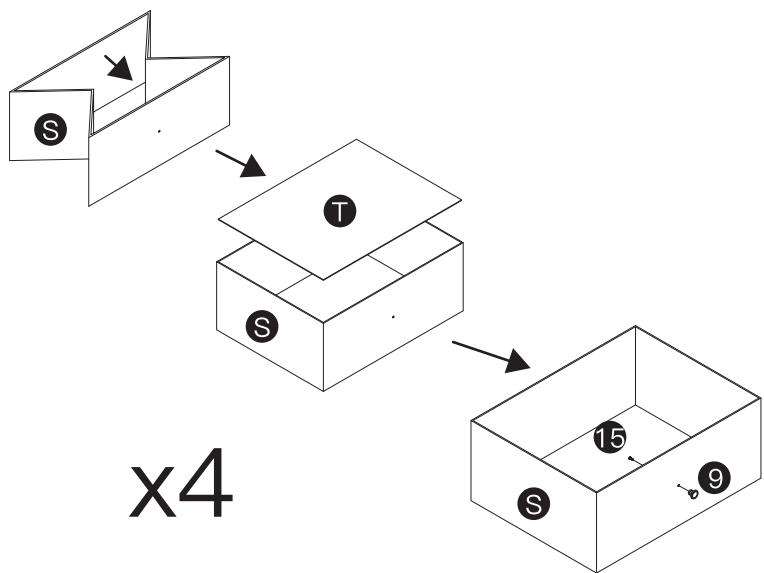
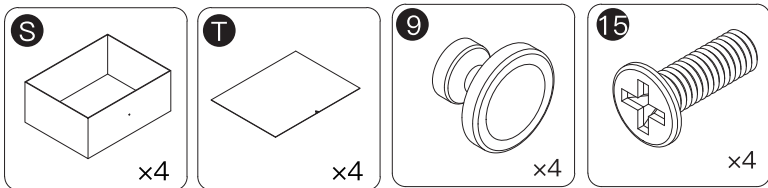


Step 10

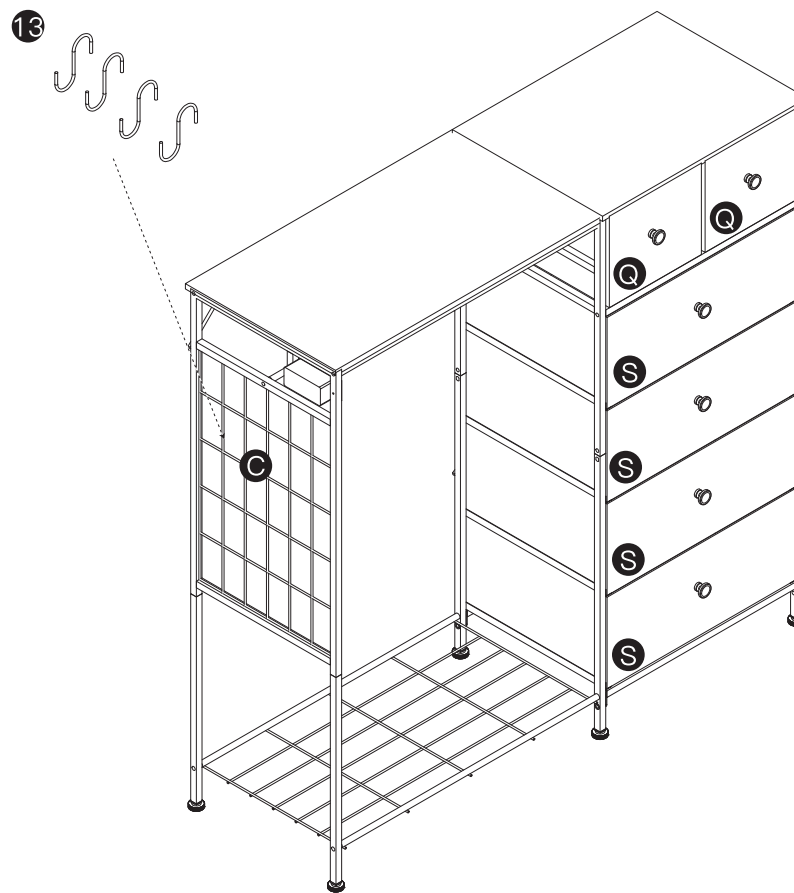
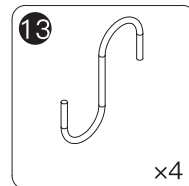
Open the drawers (part **Q**) and put part **R** inside, and install part **9** on the drawers with part **15** .



Step 11 Open the drawers (part **S**) and put part **T** inside, and install part **9** on the drawers with part **15**.

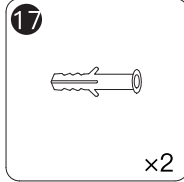


Step 12 Put all drawers into the frame. Install part **13** on part **C**.



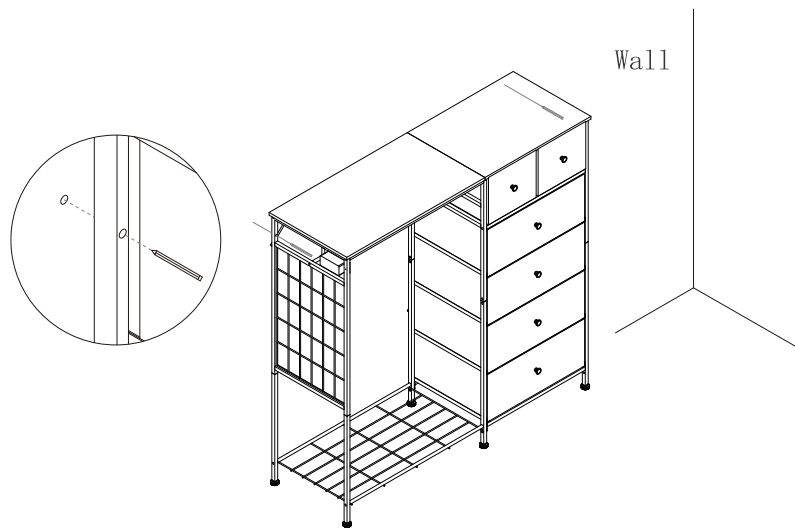
Step 13

(Optional) Drill two holes on a solid wall and insert wall anchors of part 17 inside the holes, then lock the rack with part 16.



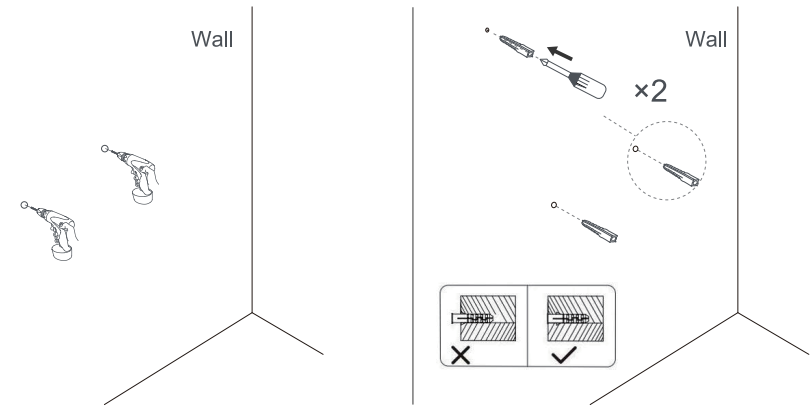
Step 1

REMARK Mark the location on the wall. Where the anchor will go.



Step 2

Follow the mark you made, with a 1/4 drill bit, drill 2 holes into the wall. Use philips head screwdriver or stubby screwdriver, screw the plastic anchors into the holes until they are flush to the wall.



Step 3

Insert 1 screw through each metal bracket and into the drywall anchor. Tilt your philips head screwdriver and secure but do not over tighten.

