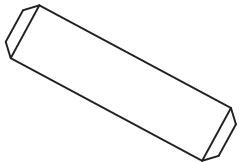
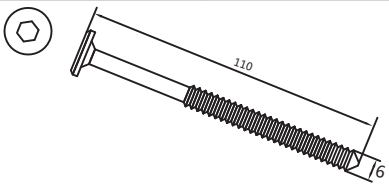


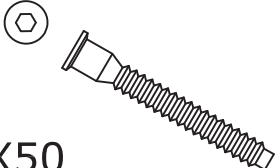



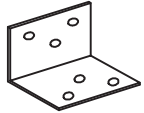
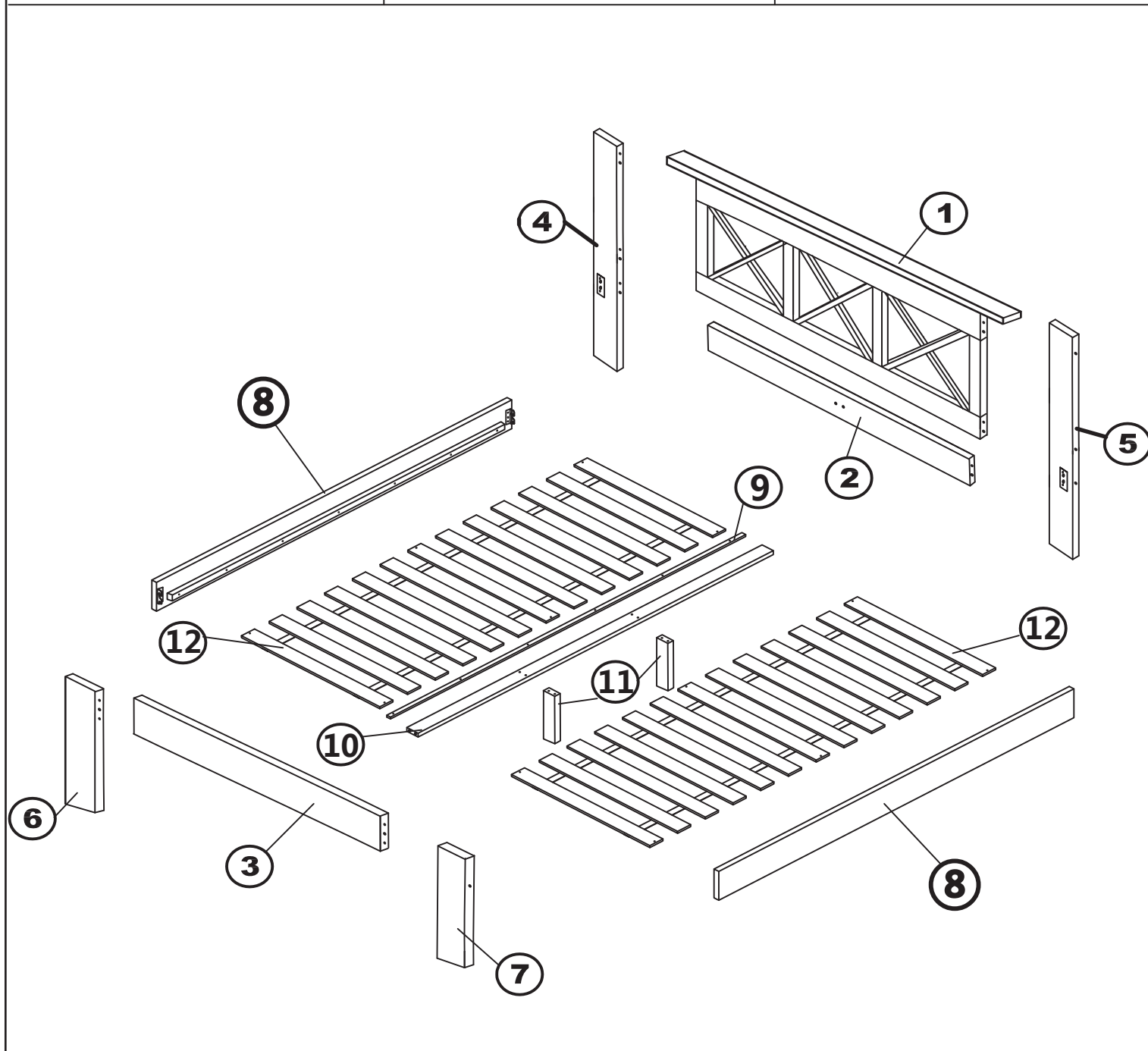


# ASSEMBLY INSTRUCTION

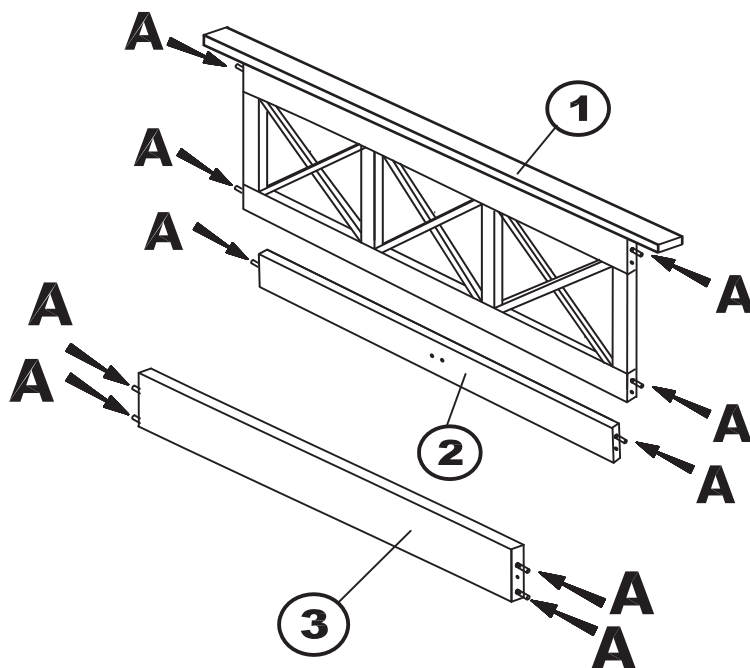
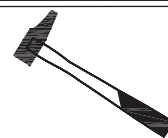
## BED -140/160/180

 $\varnothing 8 \times 30$ AX10	 $\varnothing 6 \times 110$ BX8	 $\varnothing 10 \times 12.5$ CX8
 4MM      DX1	 $\varnothing 7 \times 50$ EX6	 $\varnothing 3.5 \times 25$ FX18
 $M8 \times 12$ GX8	 $\varnothing 3.5 \times 16$ HX6	 JX1



# 1

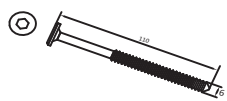
AX10



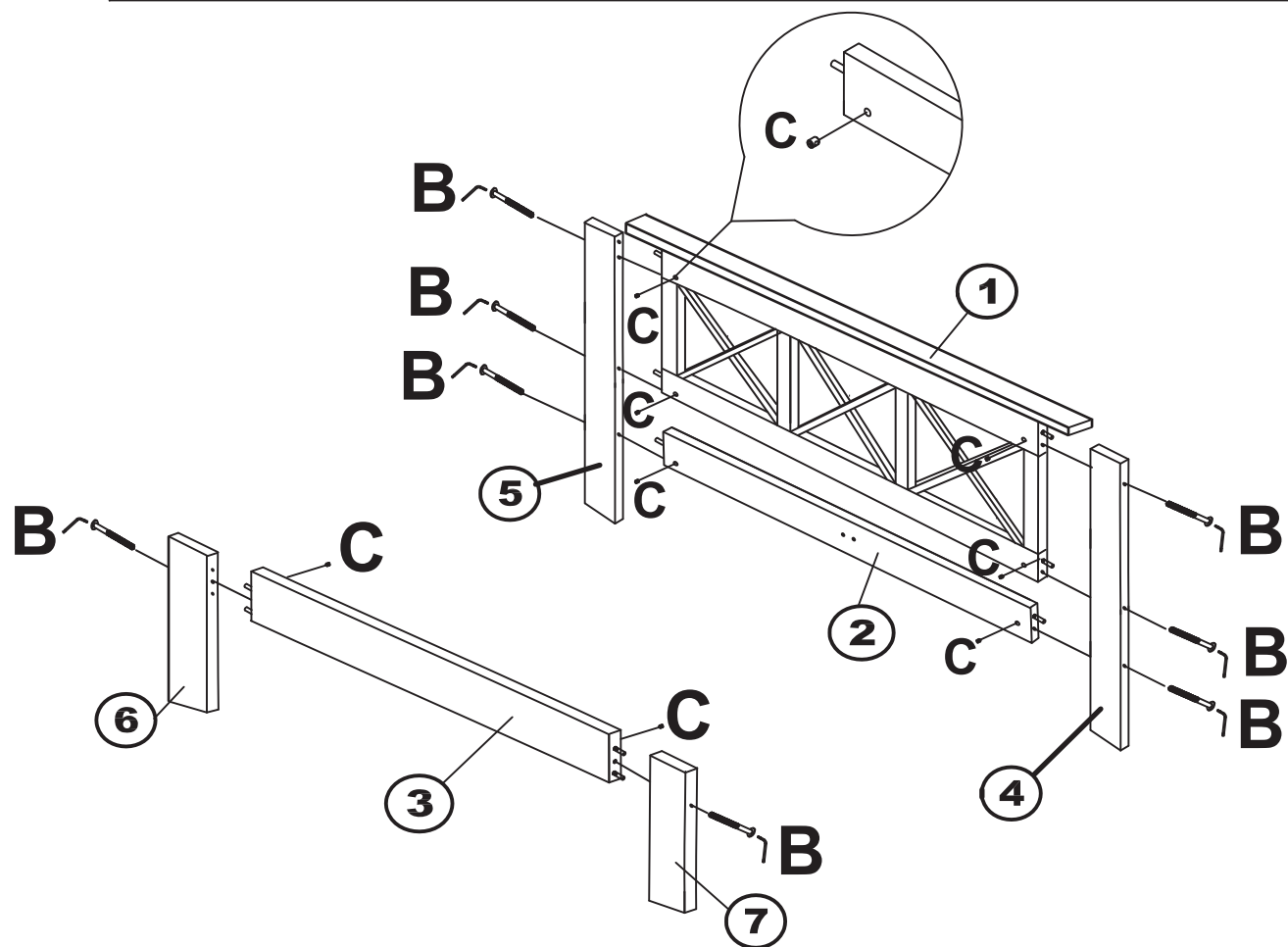
# 2

Ø6X110

BX8

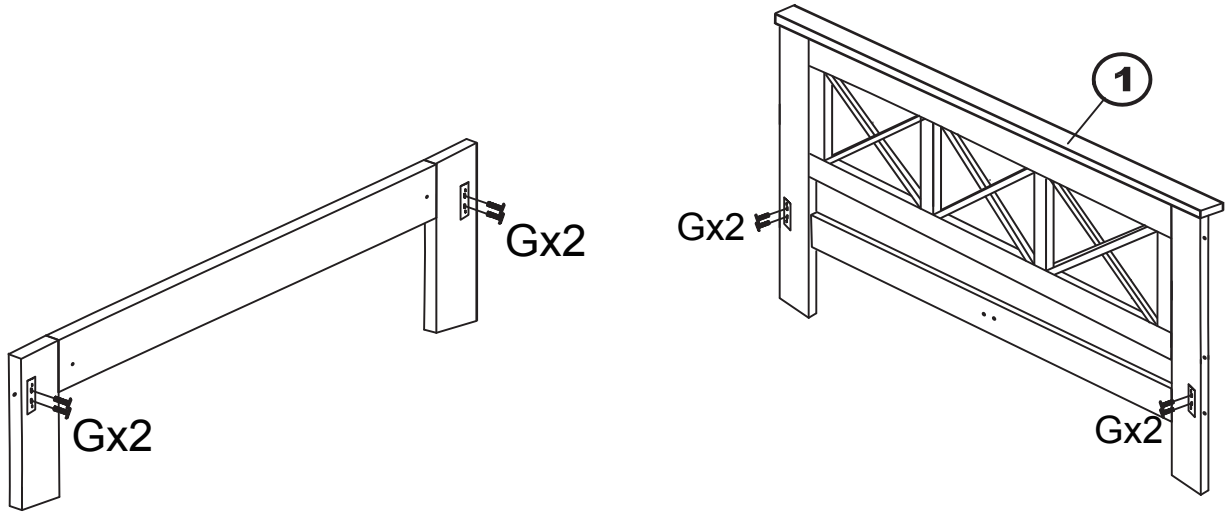


CX8



# 3

M8X12      GX8

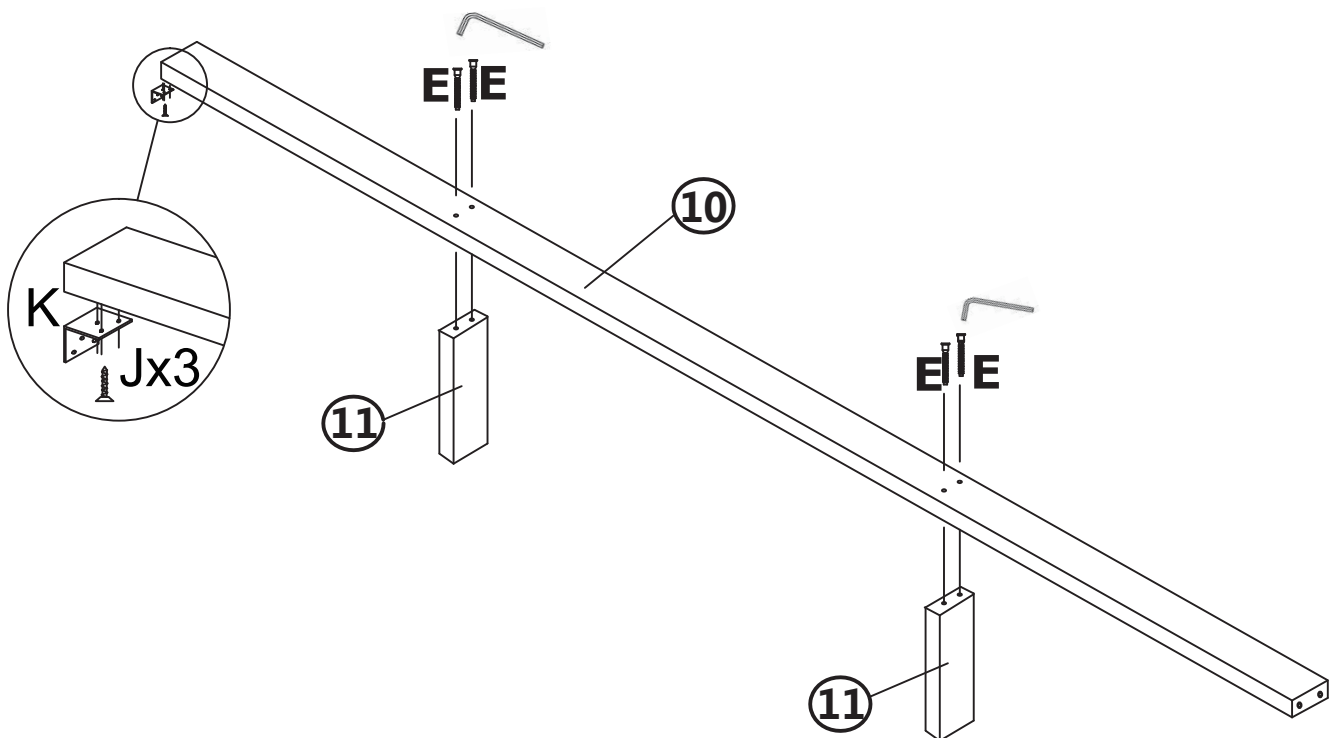


# 4

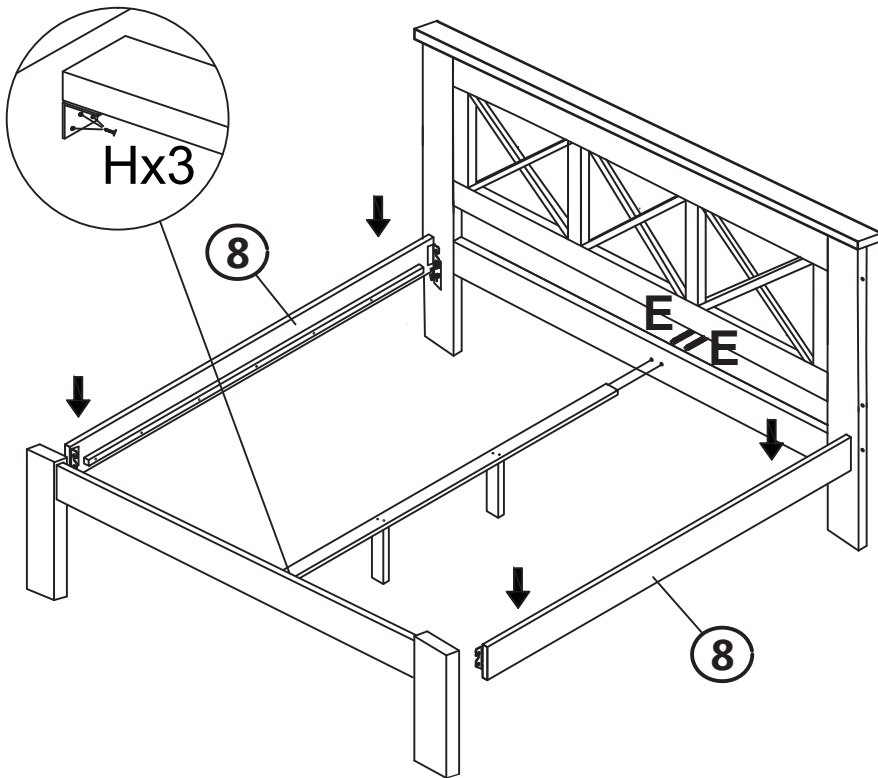
EX4

JX1

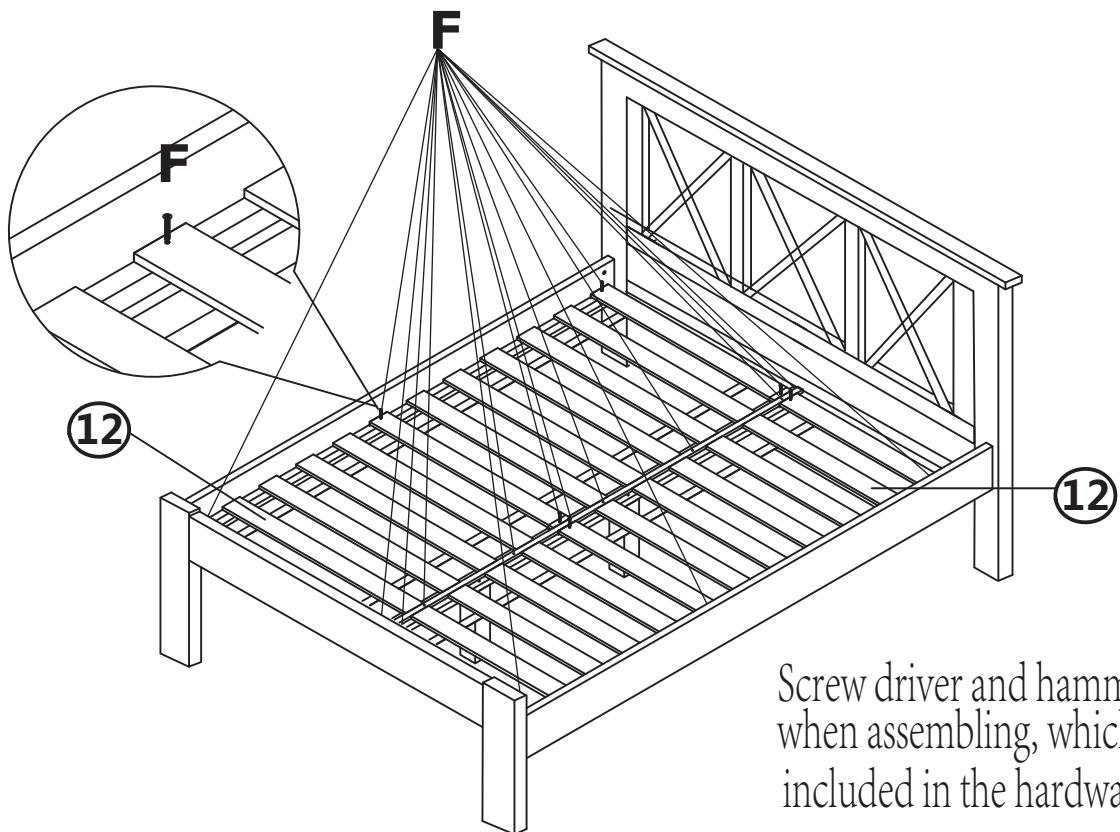
Ø3.5X16      HX3



# 5



# 6



Screw driver and hammer is needed when assembling, which is not included in the hardware.