

# *ASSEMBLY INSTRUCTIONS*



*Fine Furniture for every stage of life*

**Side Chair**

# ASSEMBLY INSTRUCTIONS

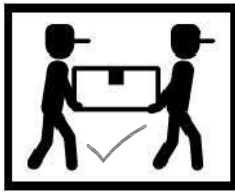
## ASSEMBLY TIPS :

1. Remove hardware from box and sort by size.
2. Please check to see that all hardware and parts are present prior to start of assembly.
3. Please follow attached instructions in the same sequence as numbered to assure fast & easy assembly.



### WARNING !

1. Don't attempt to repair or modify parts that are broken or defective. Please contact the store immediately.
2. This product is for home use only and not intended for commercial establishments.

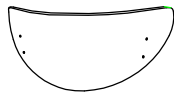


ASSEMBLY TIME

15 MINUTES

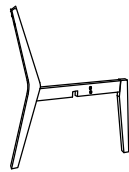
## PARTS IDENTIFICATION

A BACKREST



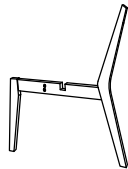
1PC

B UPPER LEG FRAME



1PC

C LOWER LEG FRAME



1PC

D WOOD CLEAT



1PC

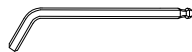
E SEAT CUSHION



1PC

## HARDWARE IDENTIFICATION

1 ALLEN WRENCH  
(M4 x 110MM - BLK)



1PC

2 LONG BOLT  
(M6 x 60MM - RBW)



4PCS

3 MEDIUM BOLT  
(M6 x 35MM - RBW)



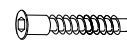
4PCS

4 SHORT BOLT  
(M6 x 25MM - RBW)



4PCS

5 HEX HEAD BOLT  
(M7 x 50MM - ZB)



1PC

6 LOCK WASHER  
(1/4" - BLK)



8PCS

7 FLAT WASHER  
(M6 X 13MM - RBW)



4PCS

8 WOOD PLUG  
(Ø14.5 X 9MM)



4PCS

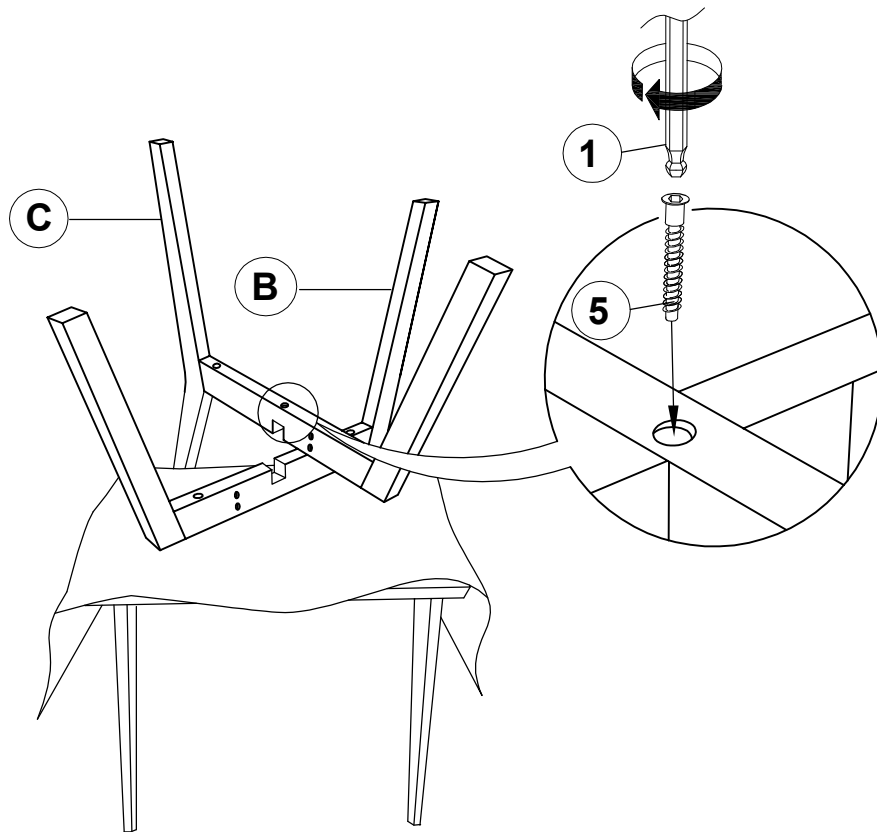
### NOTE :

Quantities shown are for one chair.

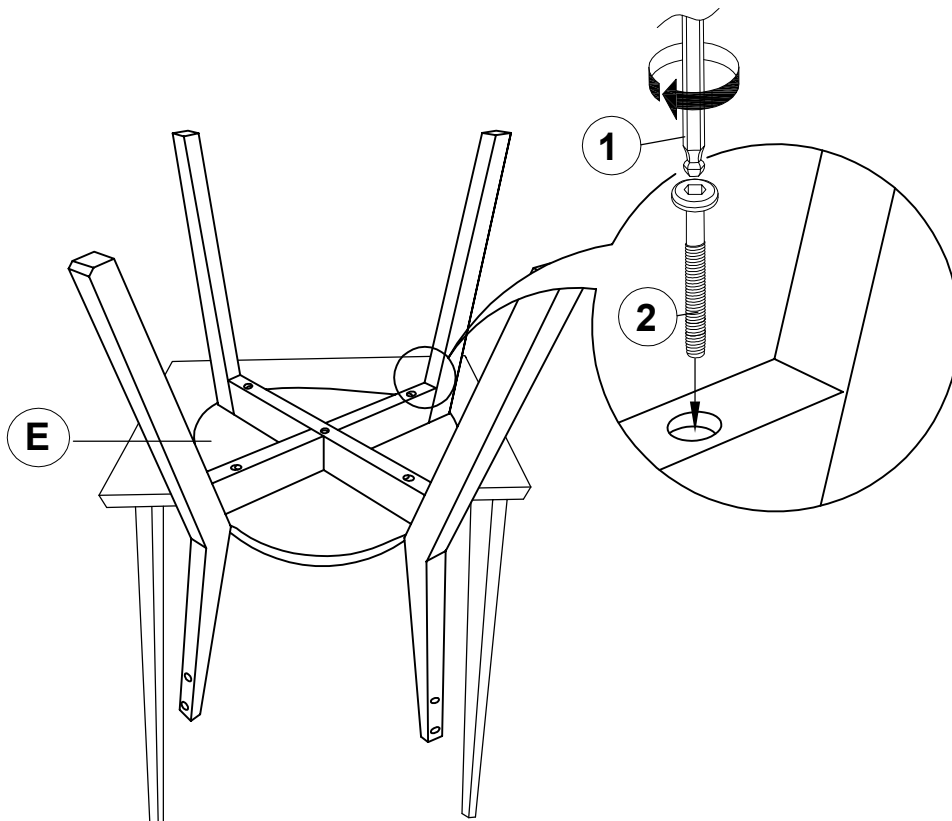
Phillips head screw driver is required in the assembly process; However, manufacturer not provide this item.

# ASSEMBLY INSTRUCTIONS

## STEP 1

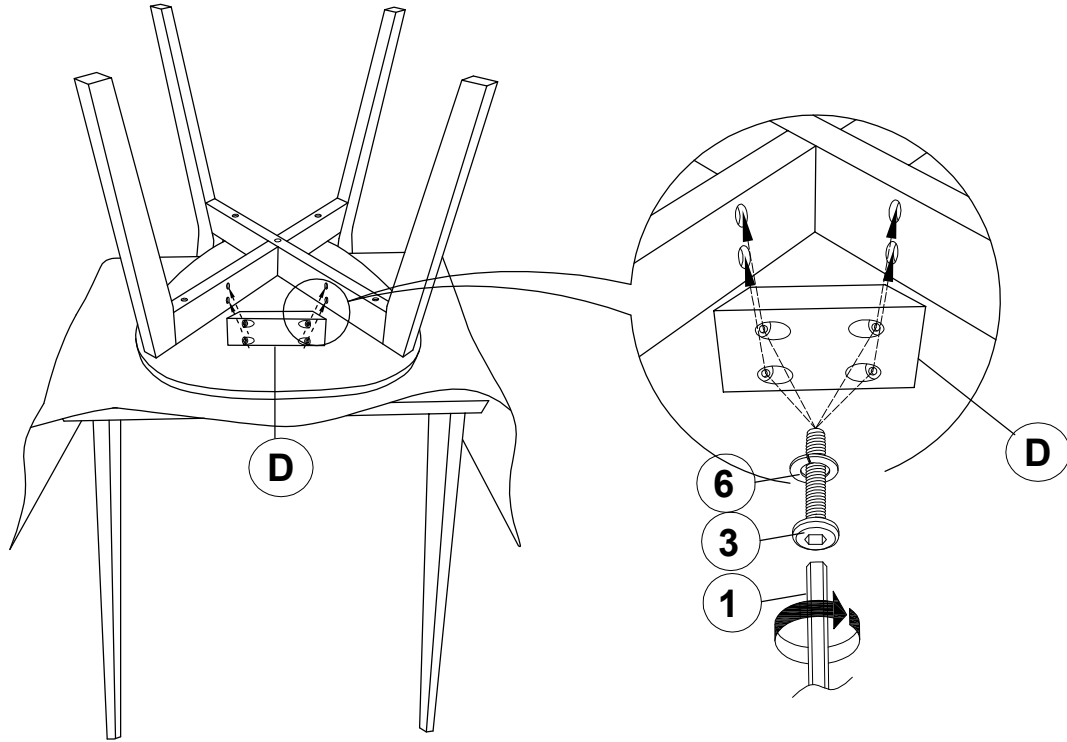


## STEP 2

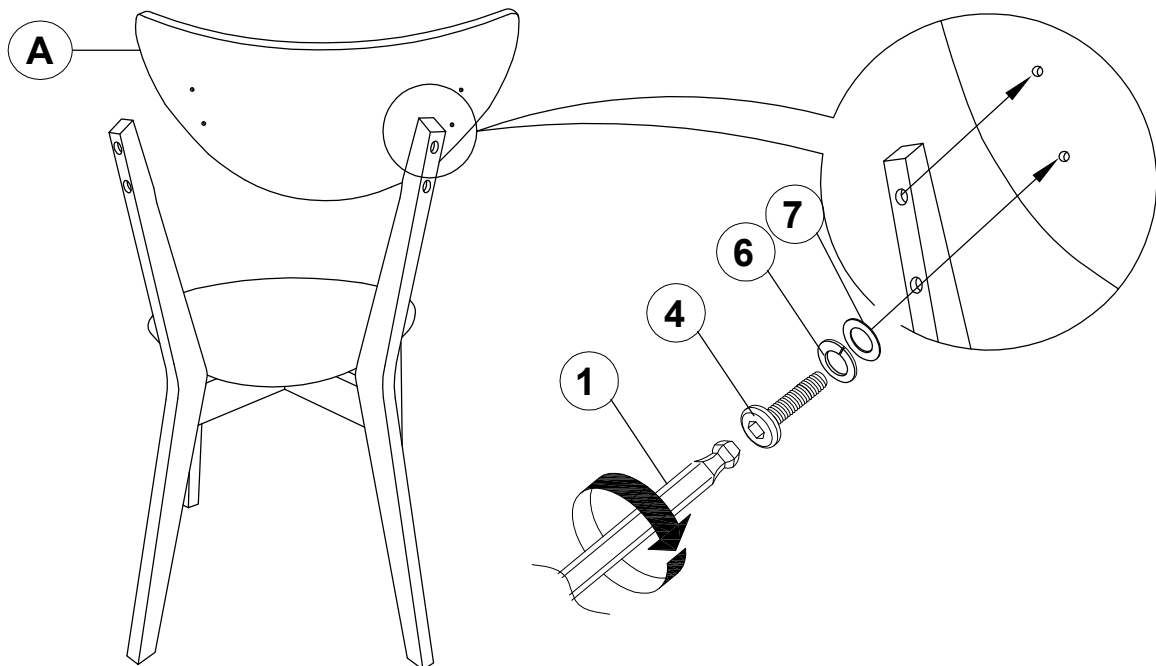


# ASSEMBLY INSTRUCTIONS

## STEP 3

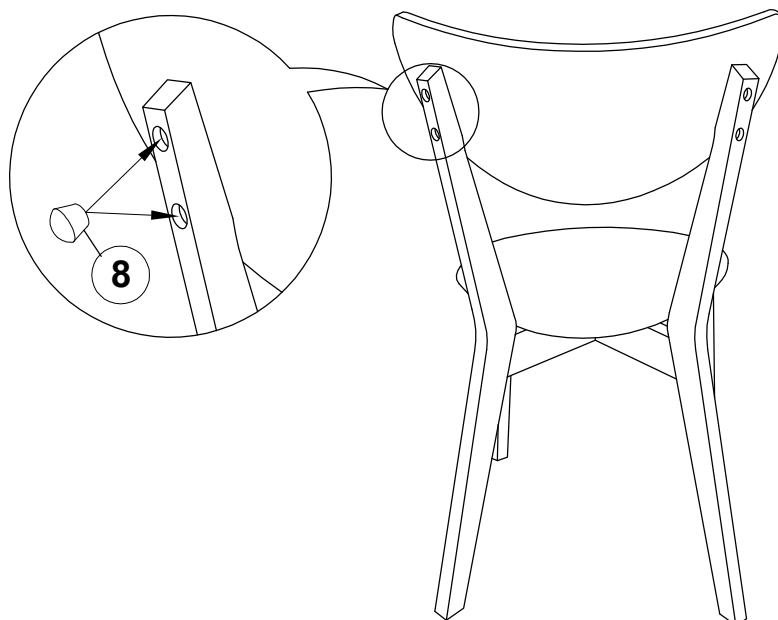


## STEP 4

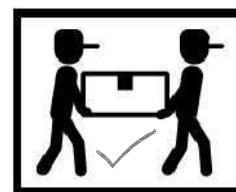
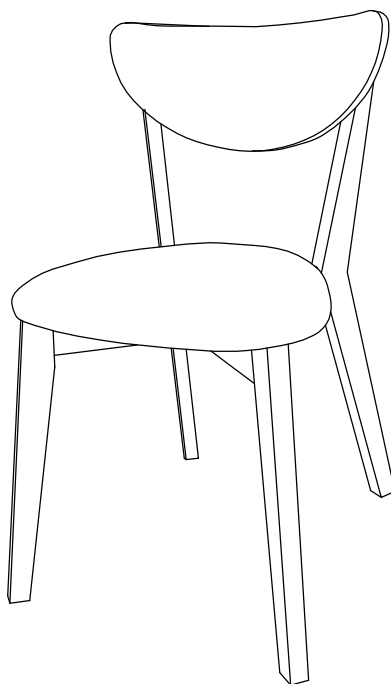


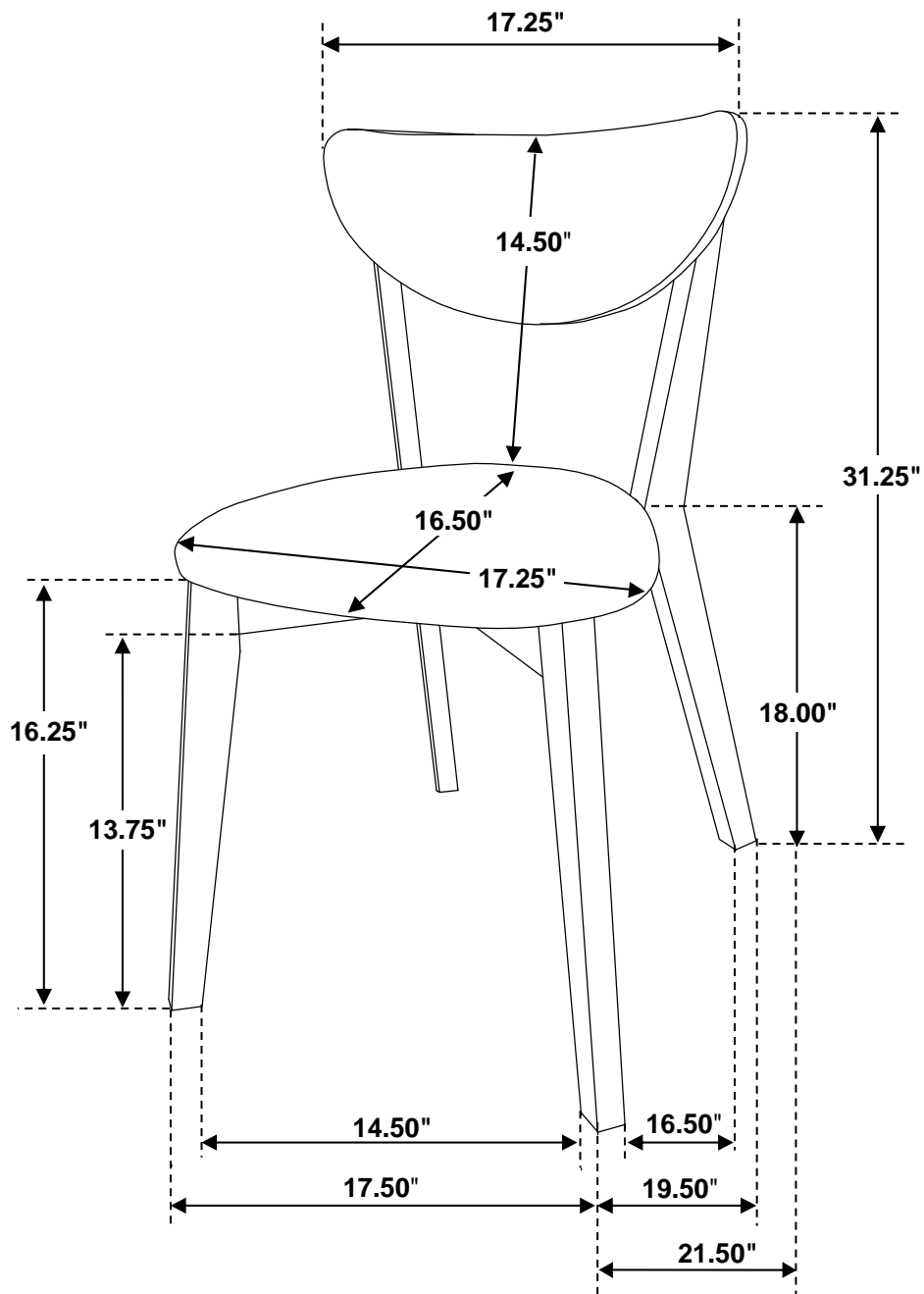
# ASSEMBLY INSTRUCTIONS

## STEP 5



## STEP 6 COMPLETE





**Note: Dimension tolerance  $\pm 5\%$**