

SEACHROME

Seachrome Corporation
1906 East Dominguez Street
Long Beach, California 90810
Phone: (800) 955-2476
Fax: (800) 444-3380

Description:

711-34-MB
CORONADO SERIES
Euro Paper Holder
(Matte Black Powder Coat Finish)

Customer:

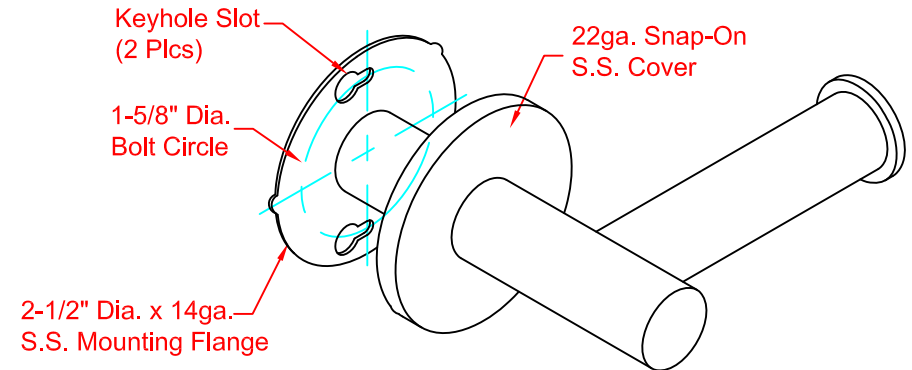
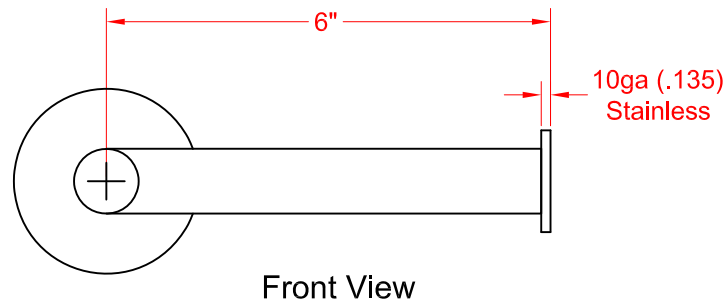
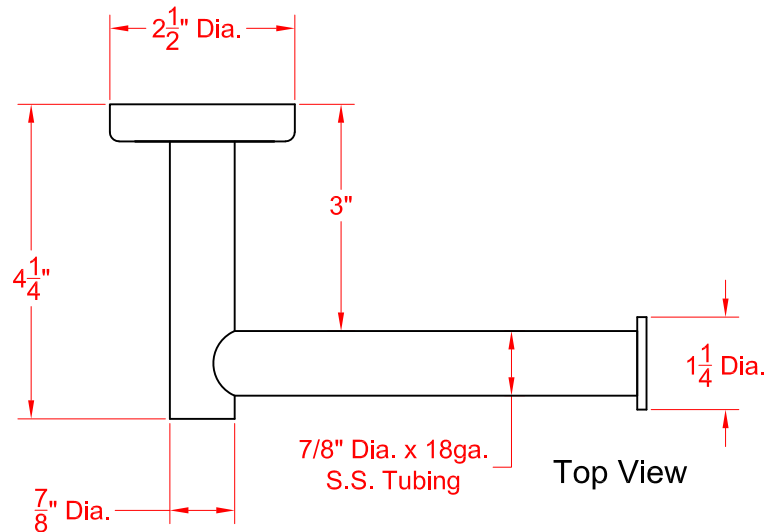
Customer Part #

09-01-2023

MATERIALS

Mounting Flange: 2-1/2" Dia., 14ga. Stainless Steel.
Post: 7/8" Dia., 18ga. Stainless Steel.
Concealed Friction Cover: 22ga. Stainless Steel.
Finish: Matte Black

INTERPRET GEOMETRIC
TOLERANCING PER: ASME Y14.5-2009
UNLESS OTHERWISE SPECIFIED:
DIMENSIONS ARE IN INCHES [MM]
TOLERANCES: DECIMALS
FRACTIONAL ±1/32 .X ±0.1
ANGLES ±1° .XX ±0.06



Proprietary & Confidential

This drawing and the information contained herein is the property of Seachrome Corporation and shall not be reproduced, copied, or disclosed in whole or in part, or used in manufacturing, or for any other purpose without the written permission of Seachrome Corporation.