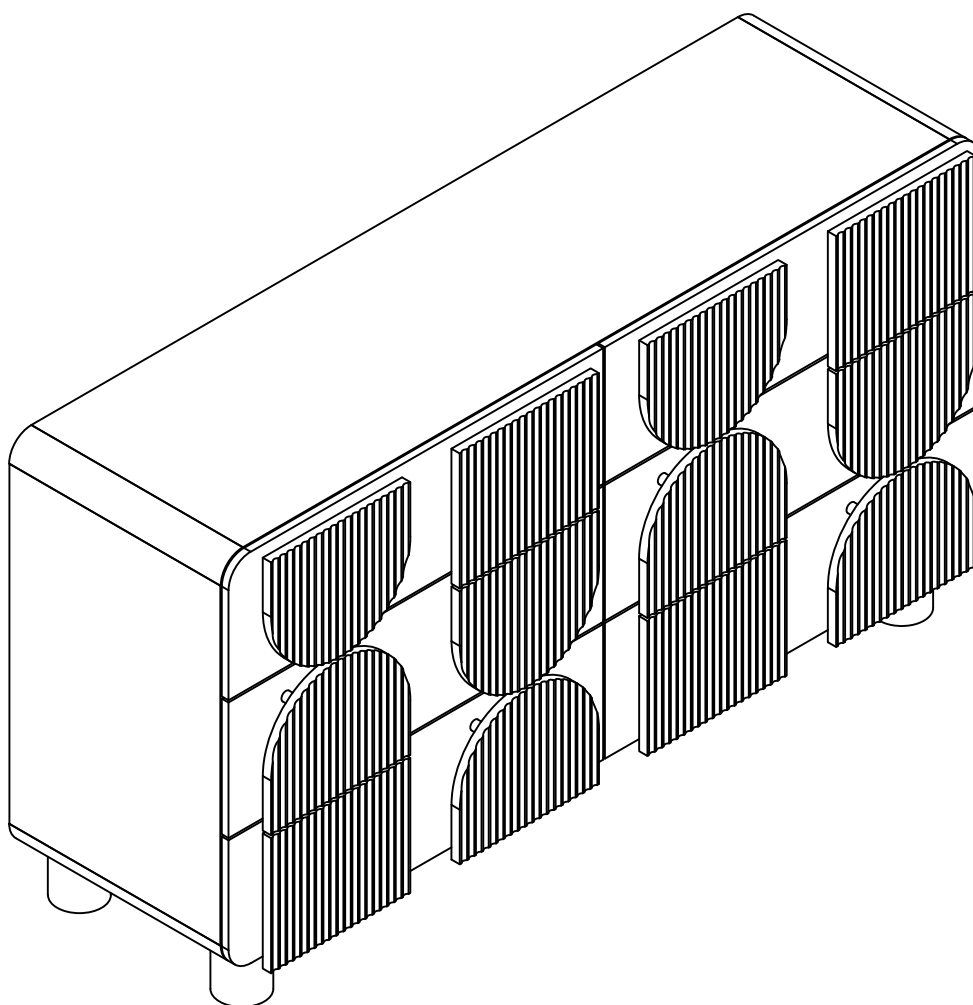


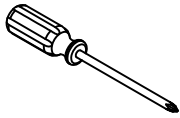
# Installation Instruction



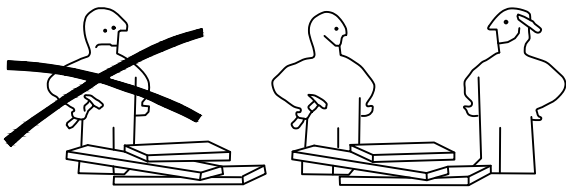
# Assembling

## What you need

- Use the packaging carton as a working surface to prevent product damage during assembly
- Phillips head screwdriver



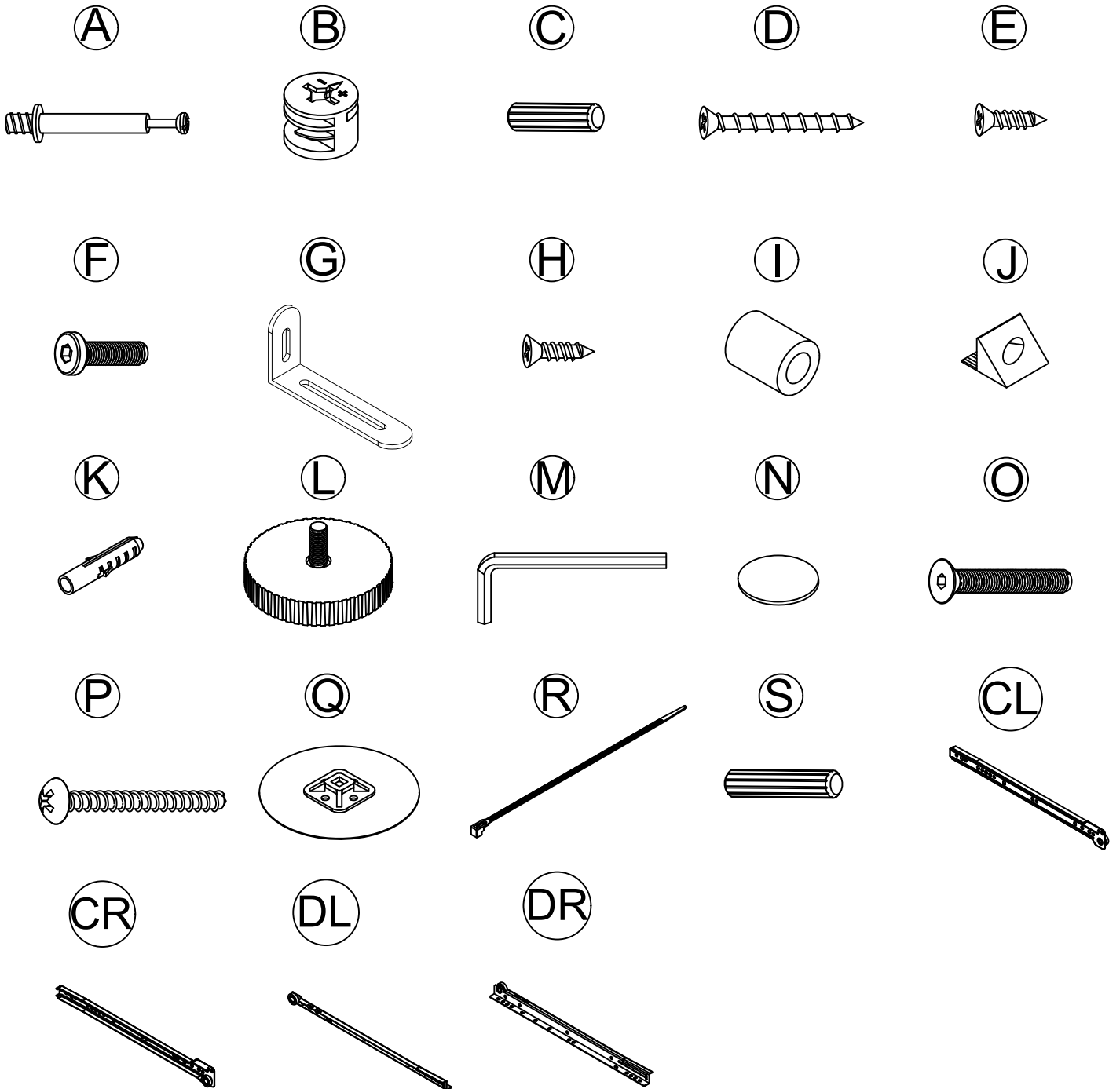
## Weight Limitation



# What' included

| Code | Description                   | Qty |
|------|-------------------------------|-----|
| A    | Cam Bolt M6X35MM              | 72  |
| B    | Cam Lock 15X10MM              | 72  |
| C    | Wooden Dowel M8X30MM          | 32  |
| D    | Screw M4X40MM                 | 34  |
| E    | Screw M3.5X14MM               | 22  |
| F    | The screw M6X30MM             | 4   |
| G    | Metal connector               | 2   |
| H    | Screw M3.0X14MM               | 48  |
| I    | Rubber pad                    | 48  |
| J    | The back button               | 20  |
| K    | Anchor                        | 2   |
| L    | Adjustable foot pads          | 5   |
| M    | Wrench M4X90MM                | 1   |
| N    | Self-adhesive hole sticker    | 72  |
| O    | The screw M6X35MM             | 48  |
| P    | Screw M4.0X45MM               | 10  |
| Q    | Self-adhesive cable tie clips | 4   |
| R    | Cable tie                     | 4   |
| S    | Wooden Dowel M8X50MM          | 1   |
| CL   | Left mother extended orbit    | 6   |
| CR   | Right mother extended orbit   | 6   |
| DL   | Left public extension track   | 6   |
| DR   | Right public extends track    | 6   |

# The Hardwares



## IMPORTANT:

1. Do not tighten bolts / screws completely until all bolts / screws are lined up and inserted into holes.
2. Do not over tighten screws and bolts to avoid stripping
3. You can use a screwdriver. Power tools can also be used. (Be careful with power tools)

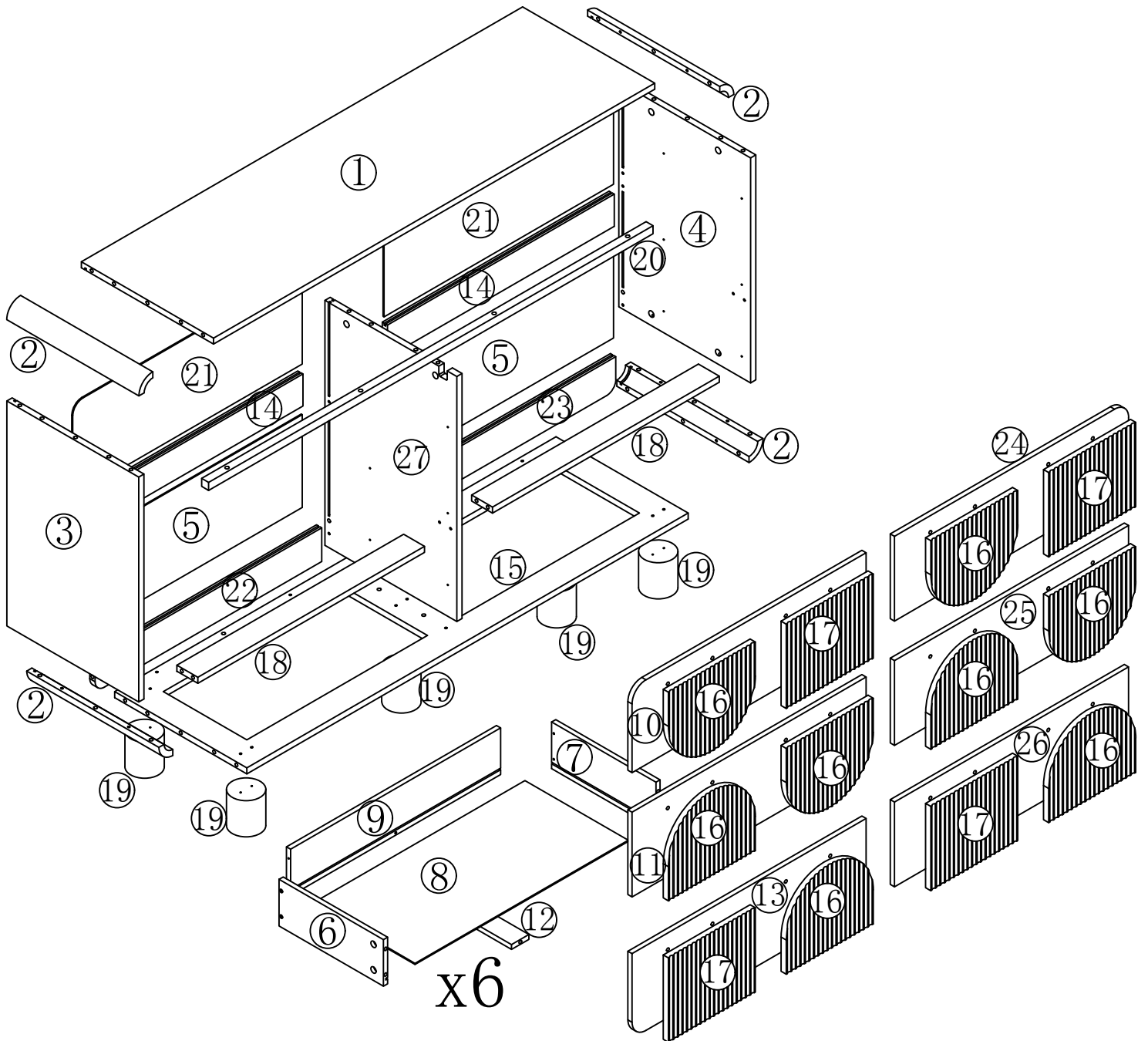
# Included Accessories

| Code | Description                                | Qty |
|------|--|-----|
| 1    | Cabinet Top                                | 1   |
| 2    | Arc connecting plate                       | 4   |
| 3    | Left Side Panel                            | 1   |
| 4    | Right Side Panel                           | 1   |
| 5    | Upper back plate                           | 2   |
| 6    | Drawer left panel                          | 6   |
| 7    | Drawer right side panel                    | 6   |
| 8    | The drawer bottom                          | 6   |
| 9    | After the drawer board                     | 6   |
| 10   | The upper left drawer panel                | 1   |
| 11   | The left middle drawer panel               | 1   |
| 12   | At the bottom of the drawer                | 6   |
| 13   | The lower left drawer panel                | 1   |
| 14   | After the gusset plates                    | 2   |
| 15   | Bottom Panel                               | 1   |
| 16   | Arc-shaped drawer surface decorative panel | 8   |
| 17   | Square drawer surface decorative panel     | 4   |
| 18   | Cabinet body reinforcing board             | 2   |
| 19   | Solid wood feet                            | 5   |
| 20   | Panel metal reinforcing pipe               | 1   |




# Included Accessories

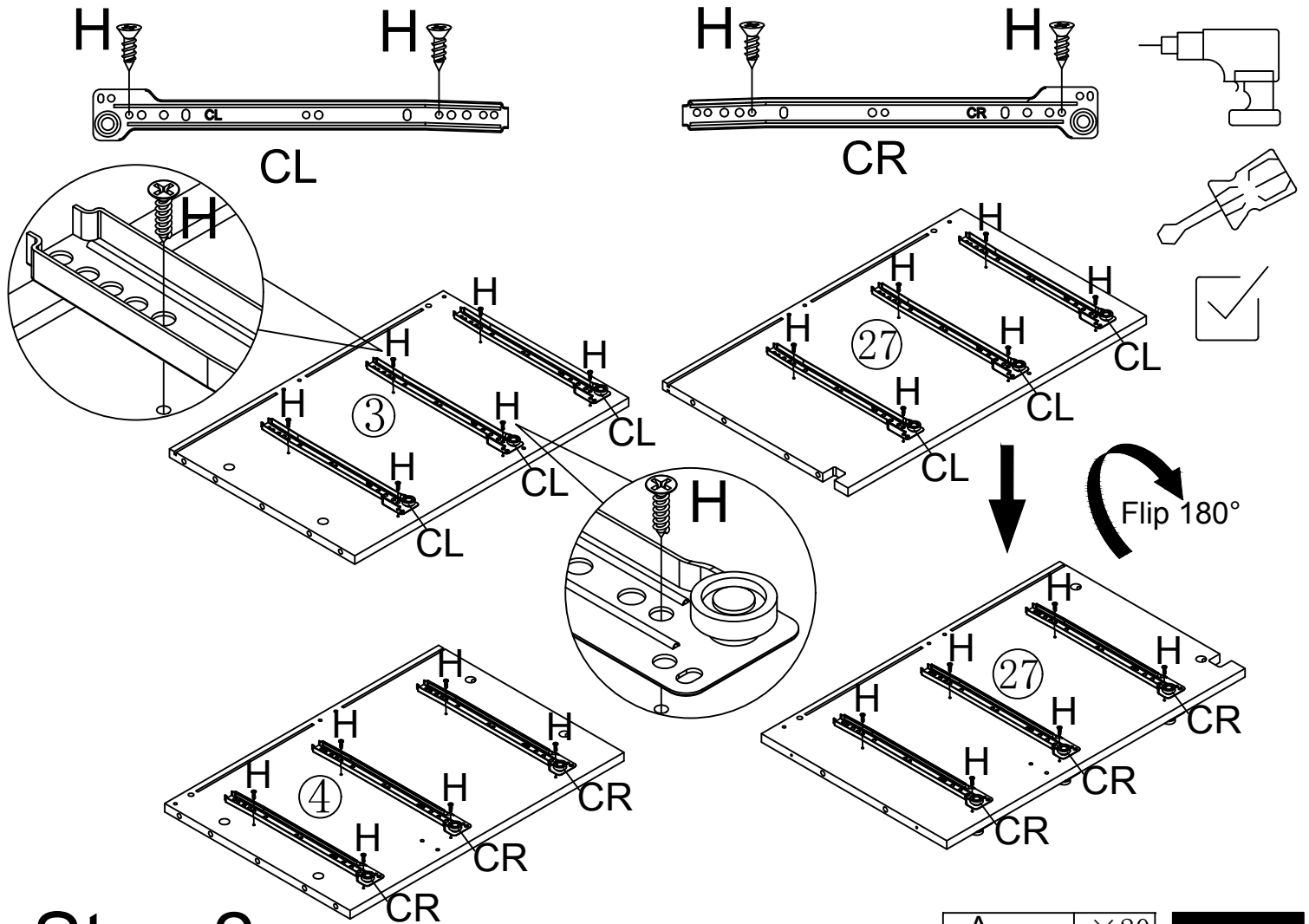
| Code | Description                                | Qty |
|------|--|-----|
| 21   | Upper back plate                           | 2   |
| 22   | Left lower bottom plate reinforcing plate  | 1   |
| 23   | Right lower bottom plate reinforcing plate | 1   |
| 24   | The upper right drawer panel               | 1   |
| 25   | The right middle drawer panel              | 1   |
| 26   | The bottom right drawer panel              | 1   |
| 27   | Middle partition                           | 1   |

# The Accessoriess

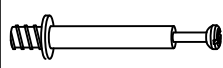


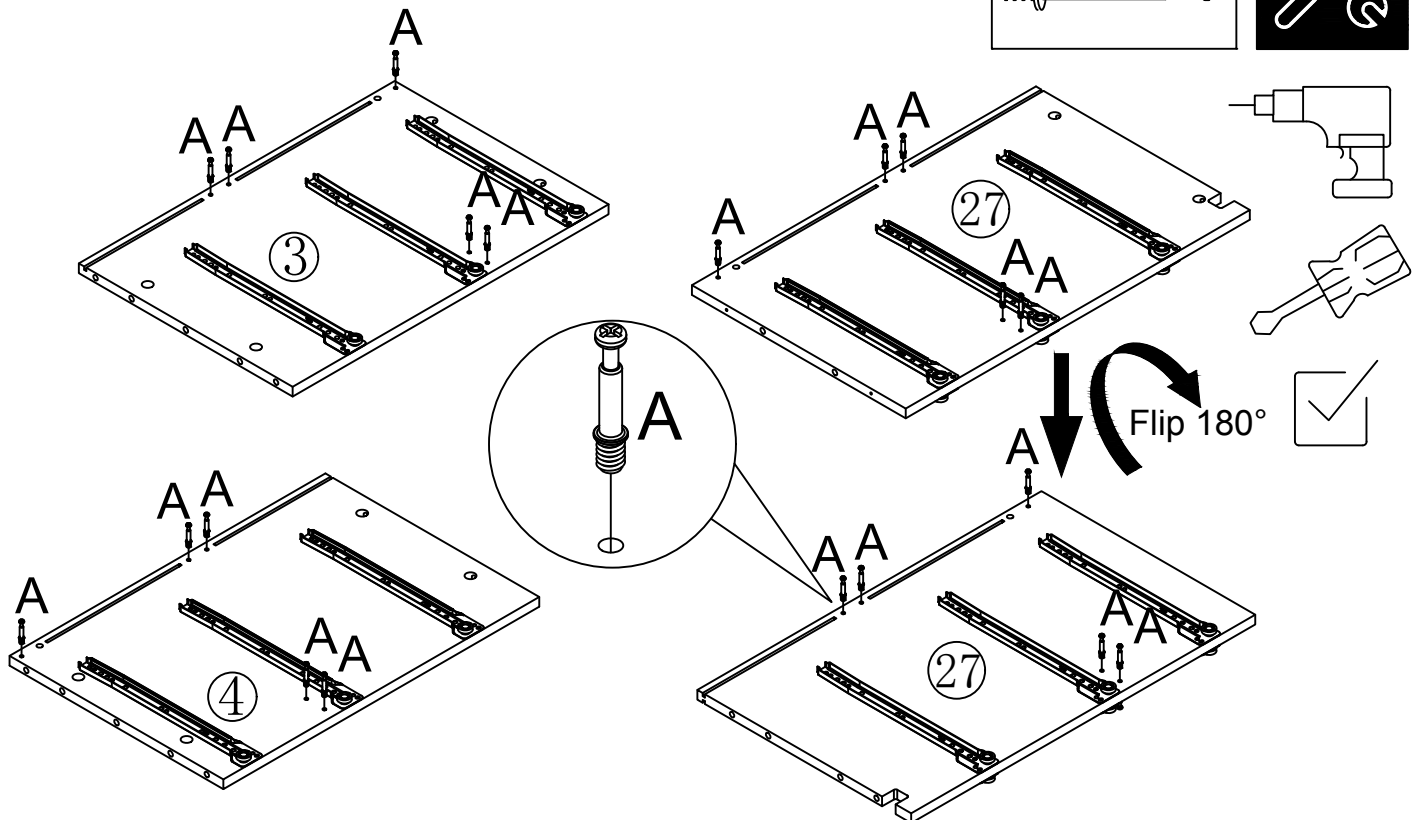
# Step 1

|  |    |   |    |   |     |
|--|----|---|----|---|-----|
| CL   | ×6 | CR  | ×6 | H   | ×24 |
|  |    |  |    |  |     |






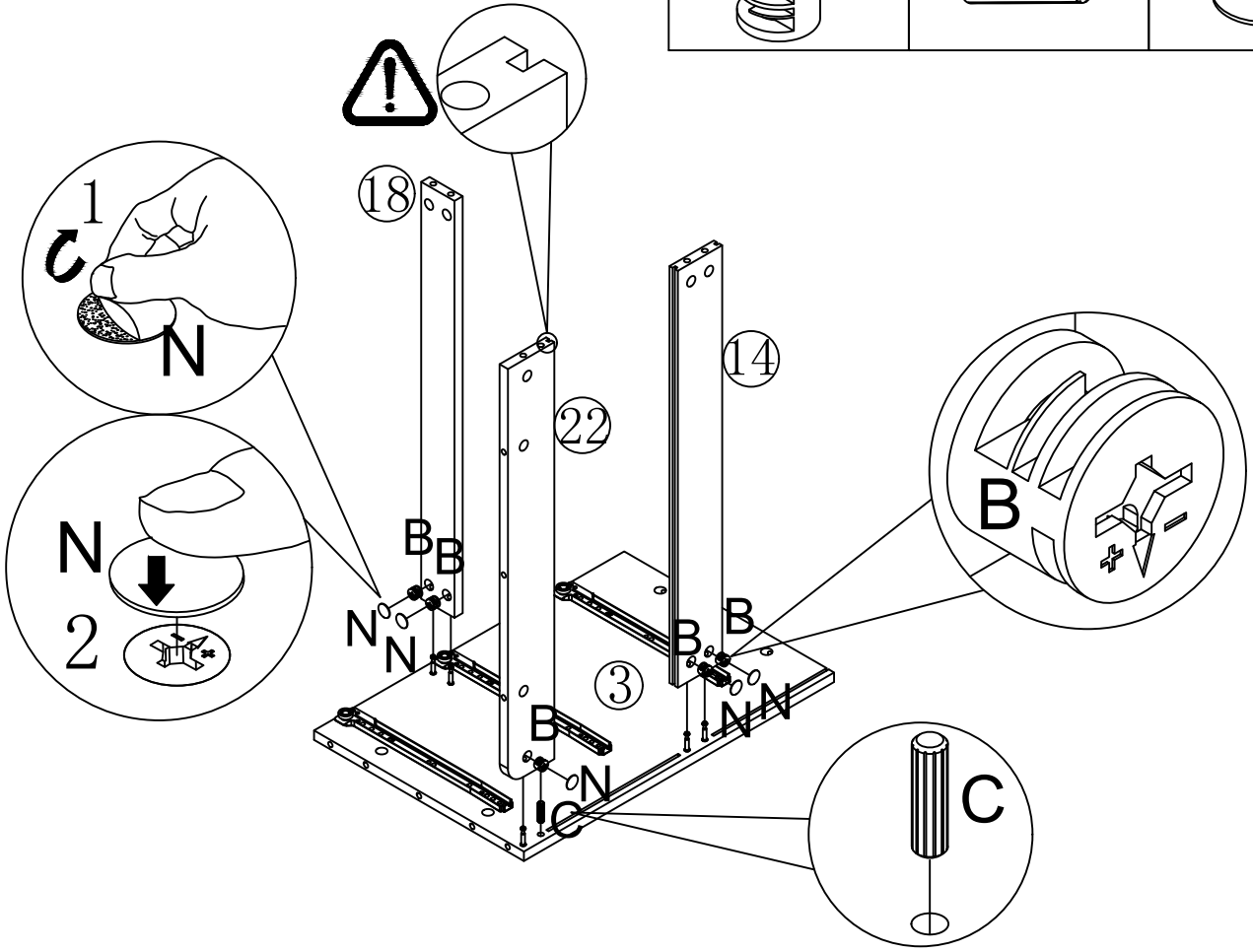
# Step 2

|   |     |
|---|-----|
| A   | ×20 |
|  |     |




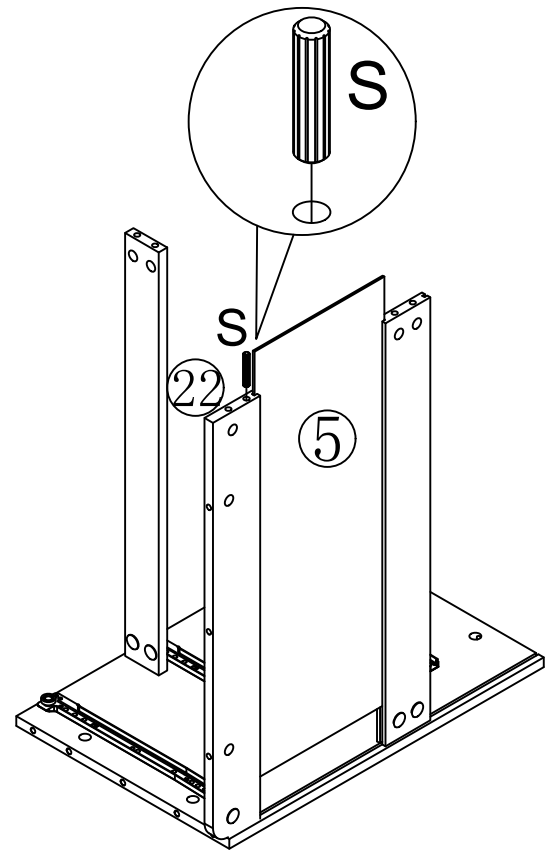
# Step 3

|  |    |  |    |  |    |
|--|----|--|----|--|----|
| B  | ×5 | C  | ×1 | N  | ×5 |
|  |    |  |    |  |    |

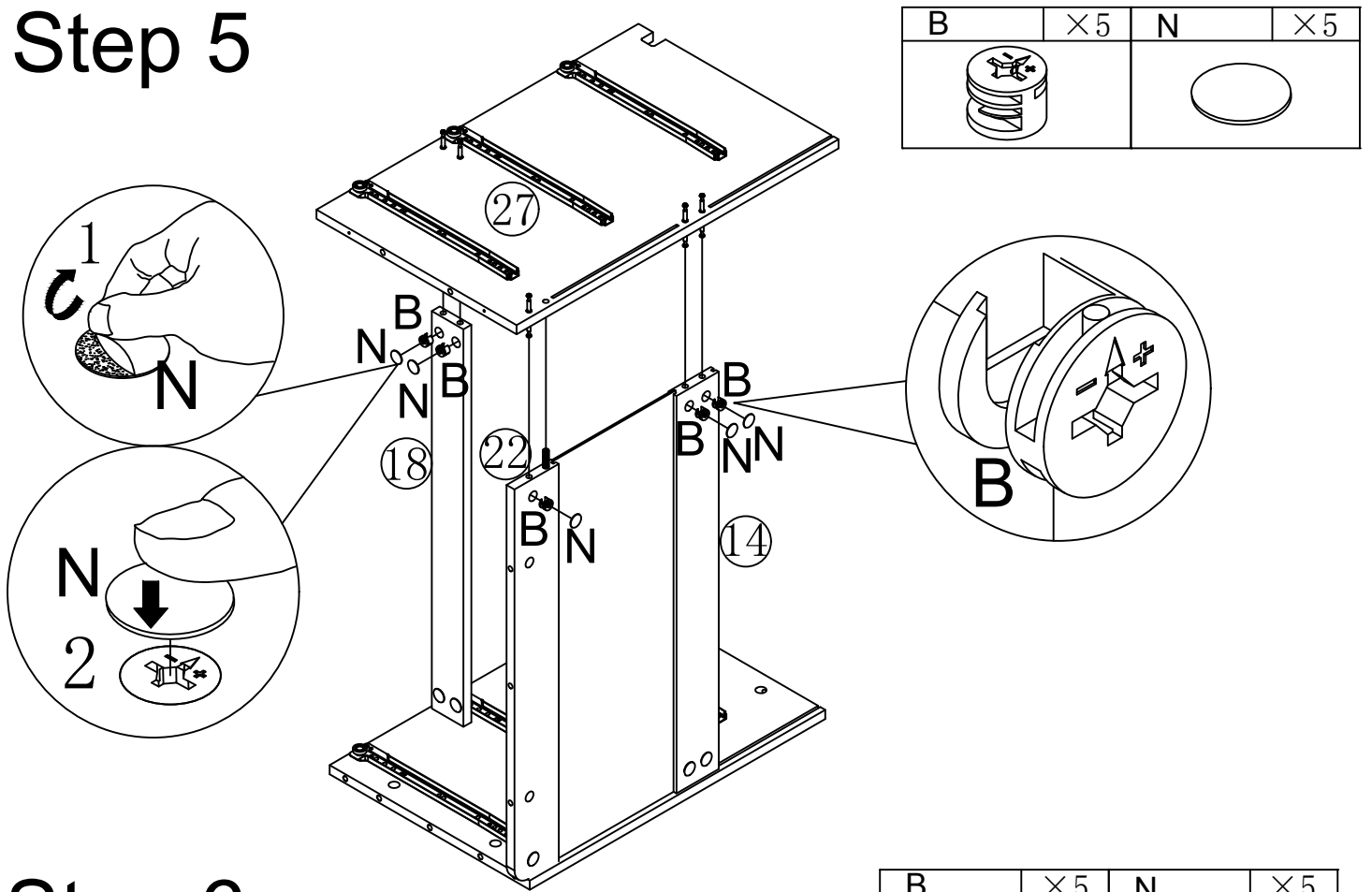


# Step 4

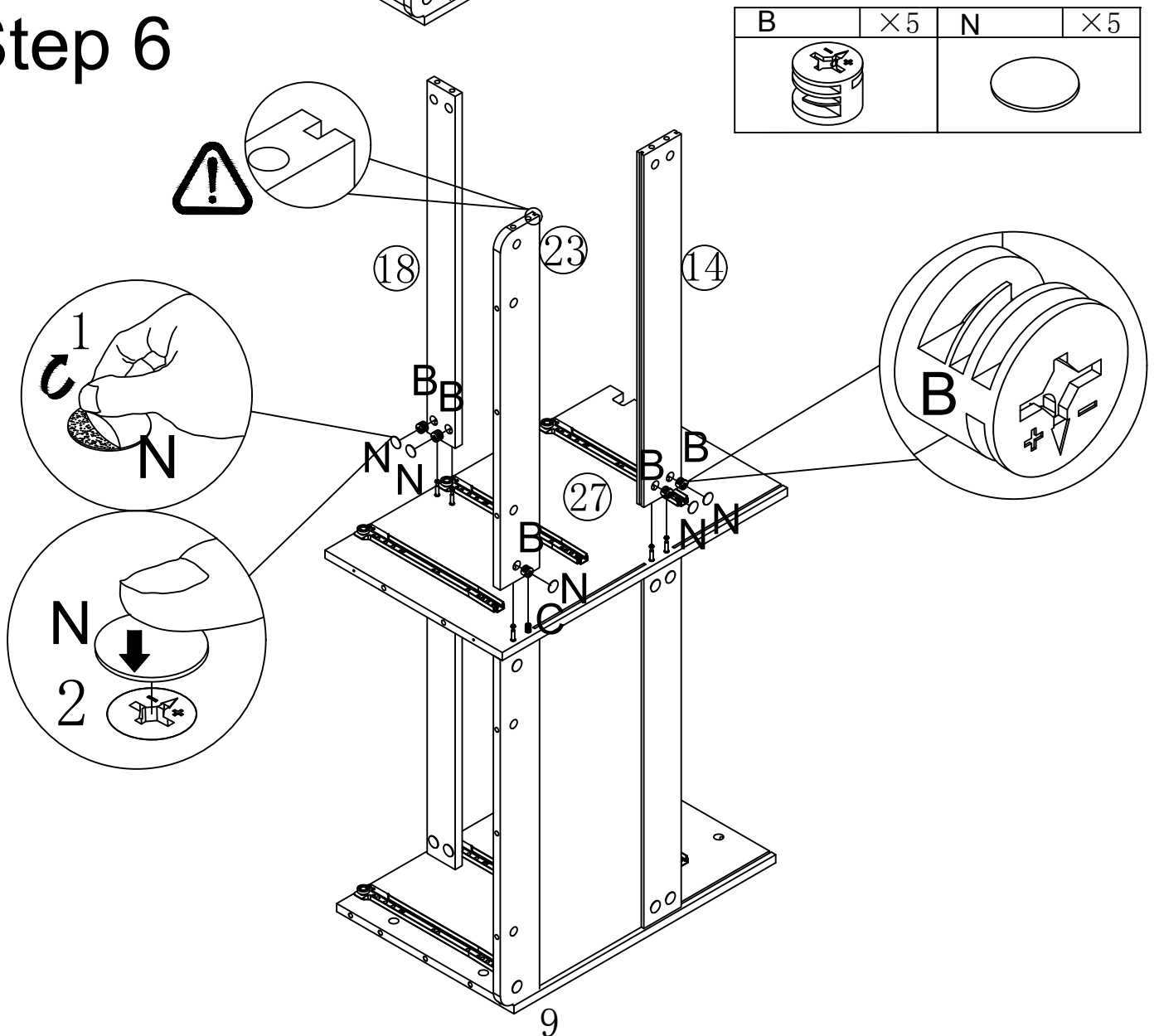
|   |    |
|---|----|
| S   | ×1 |
|  |    |



# Step 5




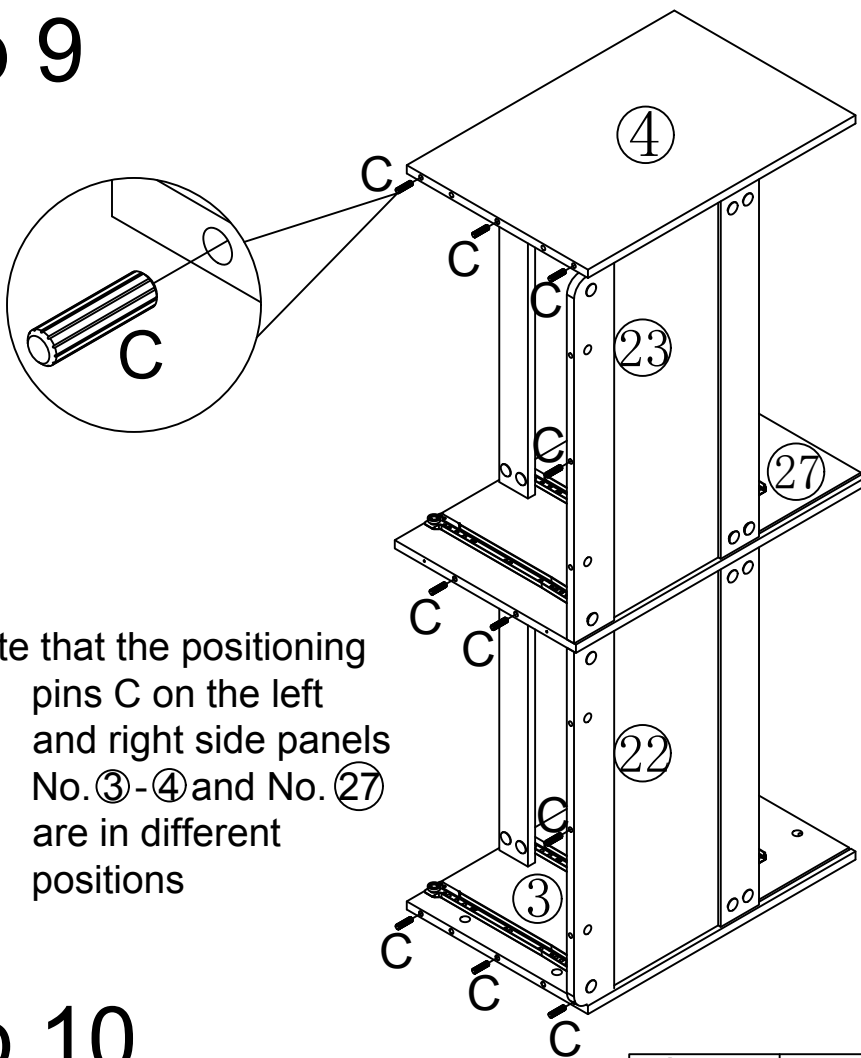
# Step 6





# Step 9

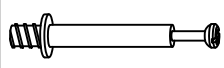

|  |     |
|--|-----|
| C  | ×10 |
|  |     |

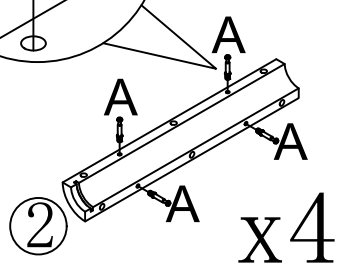
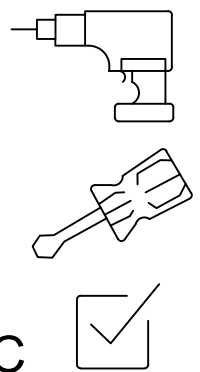
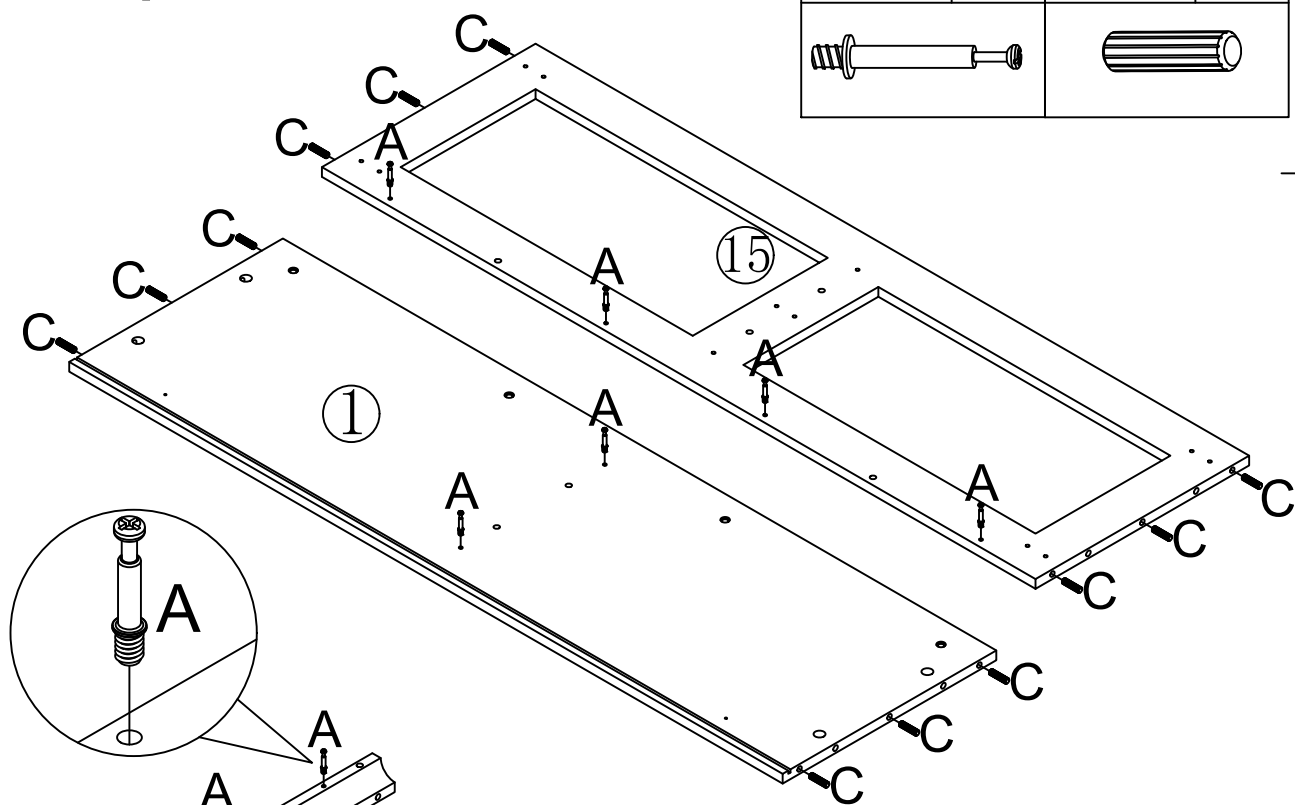


Note that the positioning pins C on the left and right side panels No. ③-④ and No. ②⑦ are in different positions





# Step 10

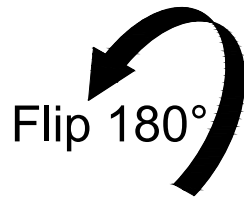
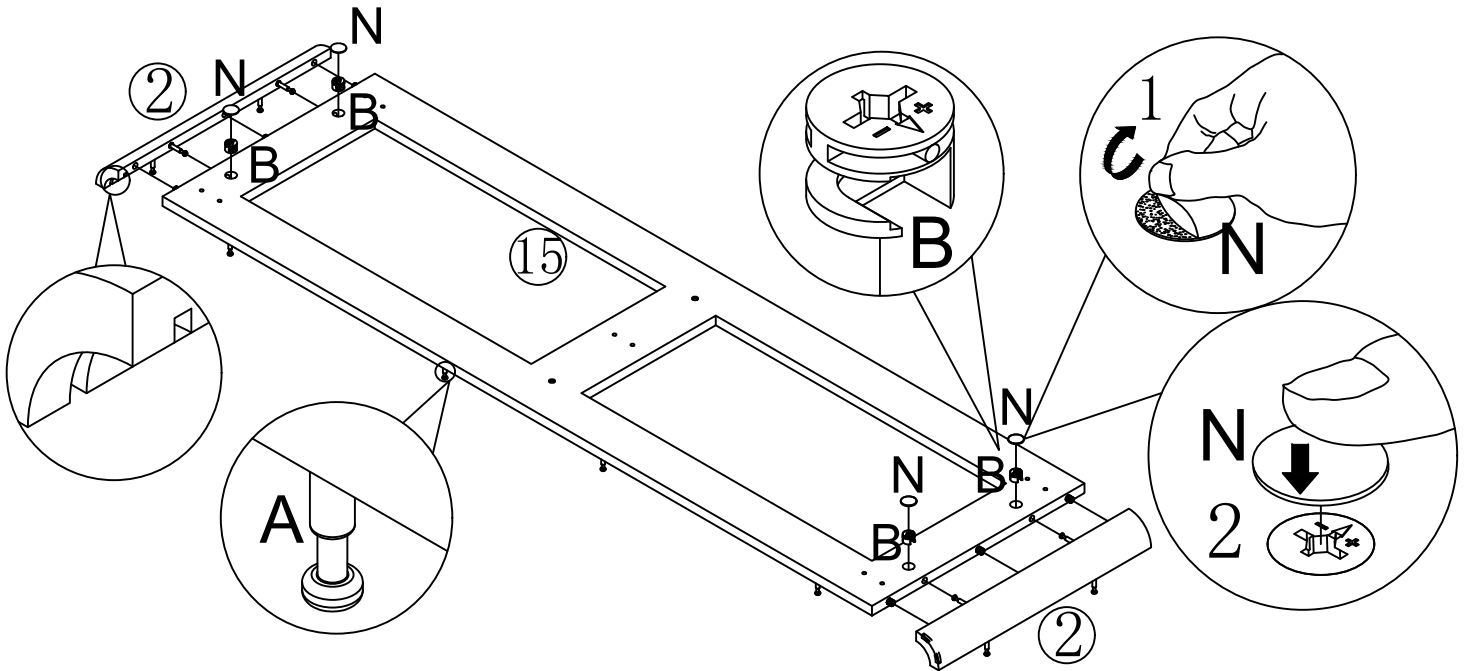
|  |     |   |     |
|--|-----|---|-----|
| A  | ×22 | C   | ×12 |
|  |     |  |     |



Note that when the No. ② connecting plate is equipped with R Angle lock hardware A, it should be locked straight, not crooked, not very tight, and the normal lock is flat

# Step 11

|  |    |  |    |
|--|----|--|----|
| B  | ×4 | N  | ×4 |
|  |    |  |    |




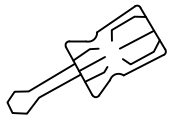
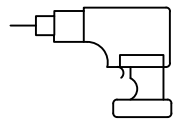
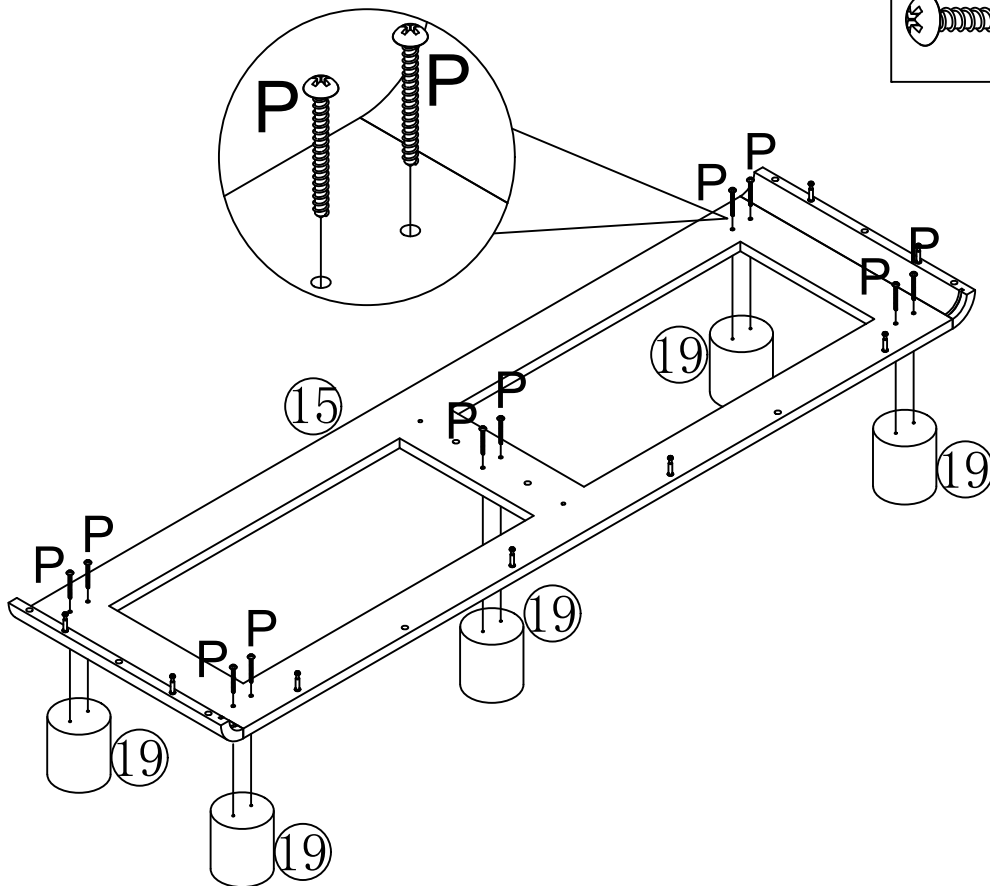
Flip 180°




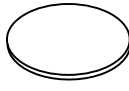
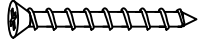
Pay attention to the concave position of Component No. ②

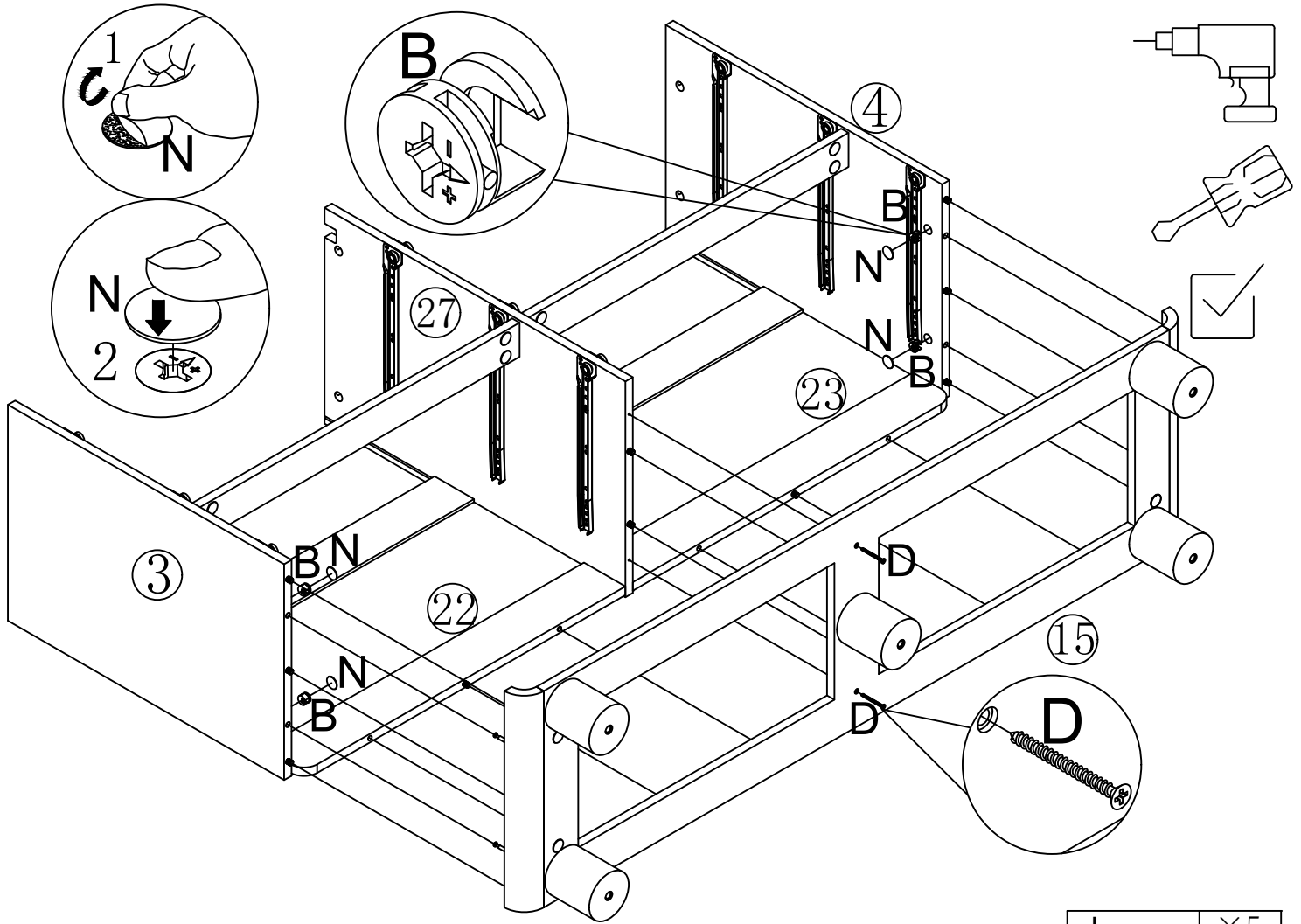
# Step 12

|   |     |
|---|-----|
| P   | ×10 |
|  |     |




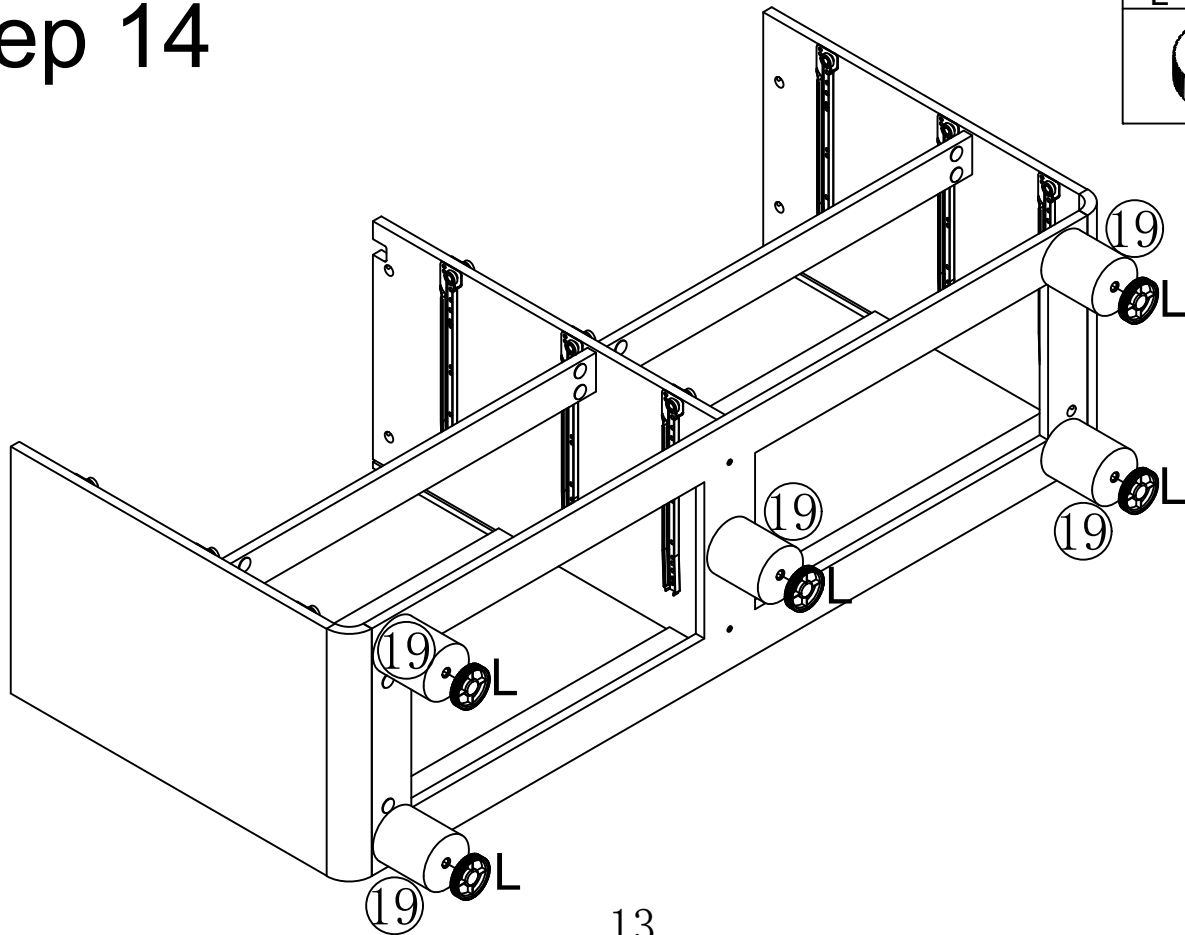
# Step 13

|  |    |   |    |   |    |
|--|----|---|----|---|----|
| B  | ×4 | N   | ×4 | D   | ×2 |
|  |    |  |    |  |    |

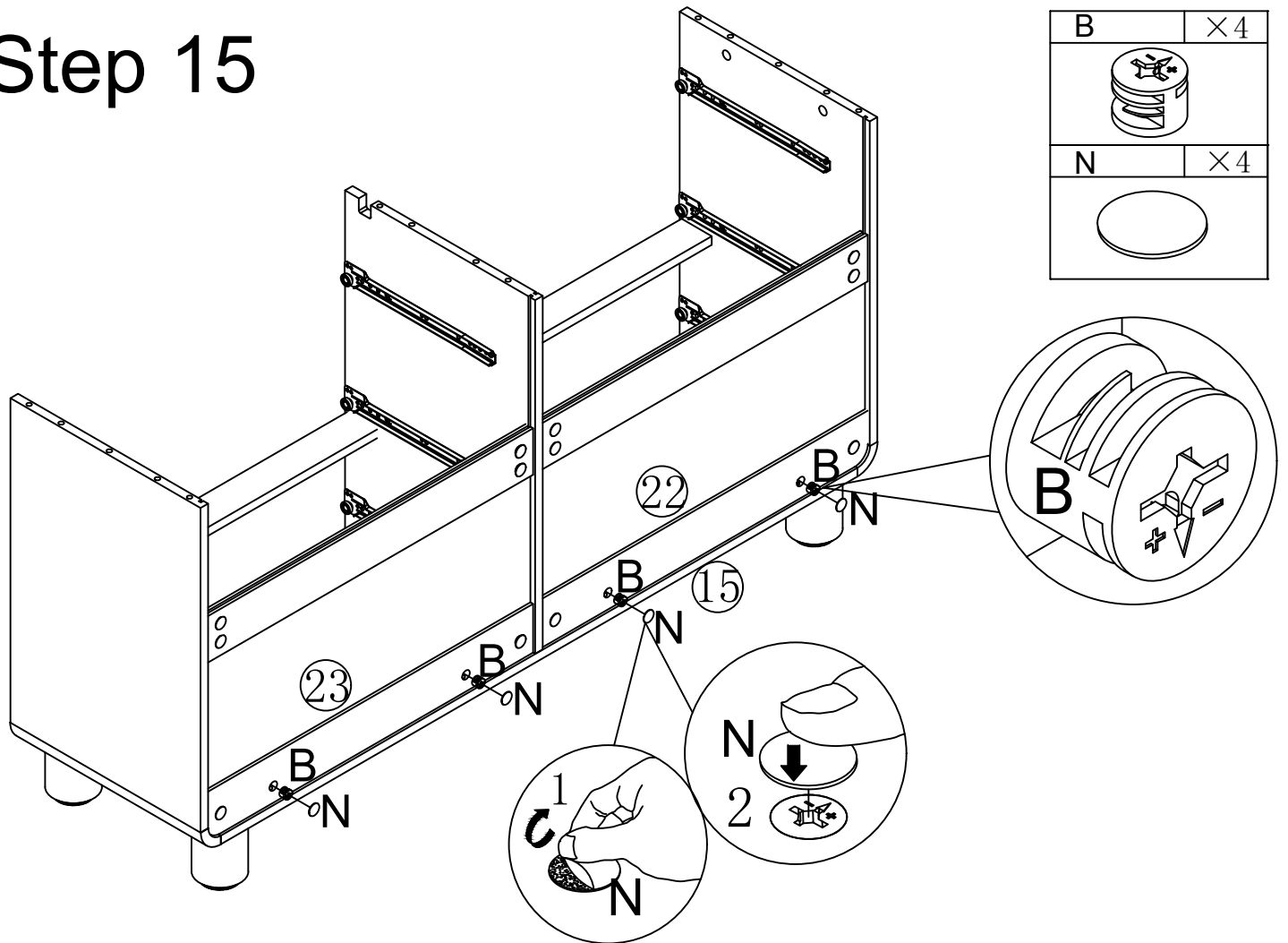


# Step 14

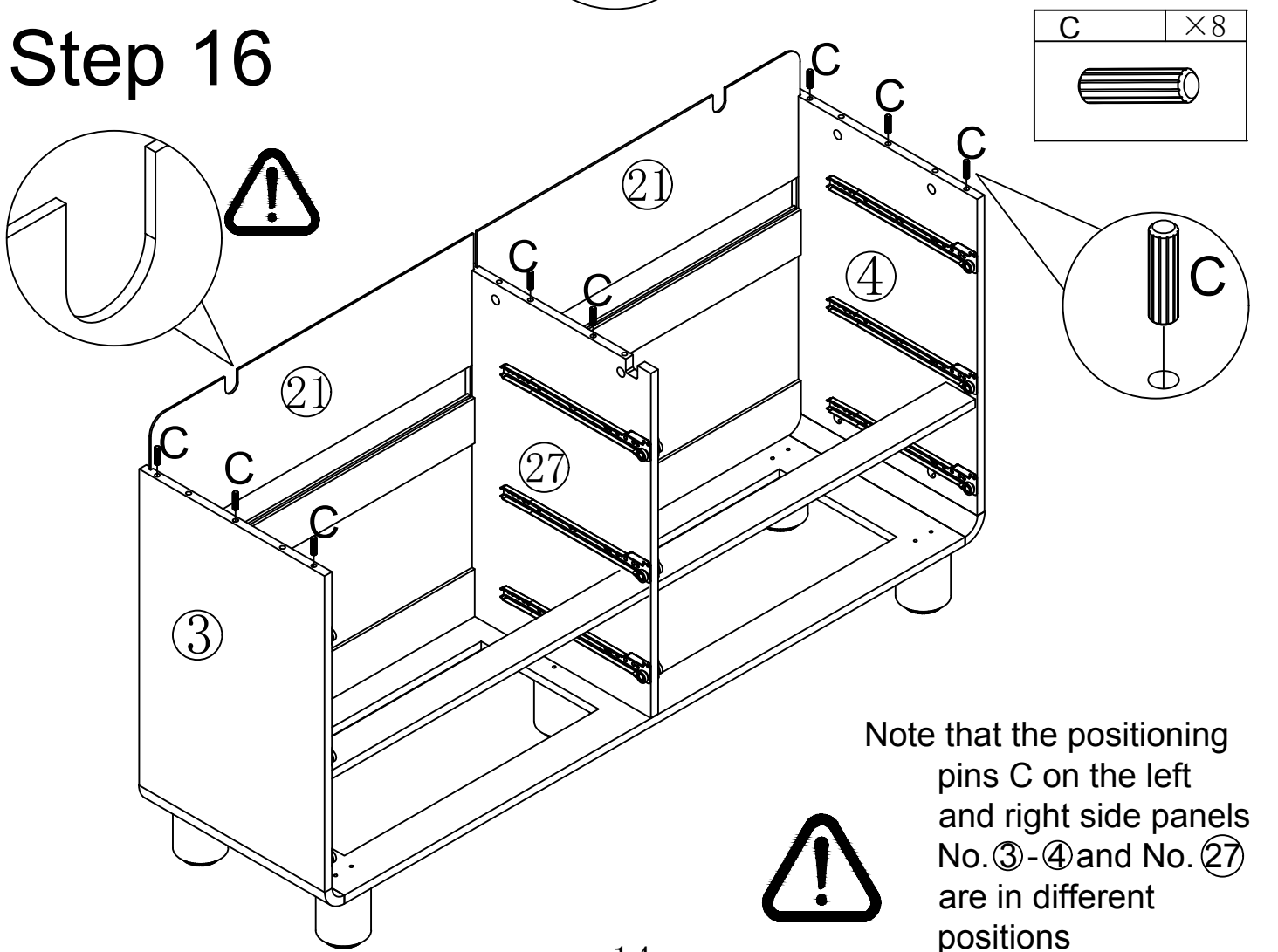
|   |    |
|---|----|
| L   | ×5 |
|  |    |



# Step 15

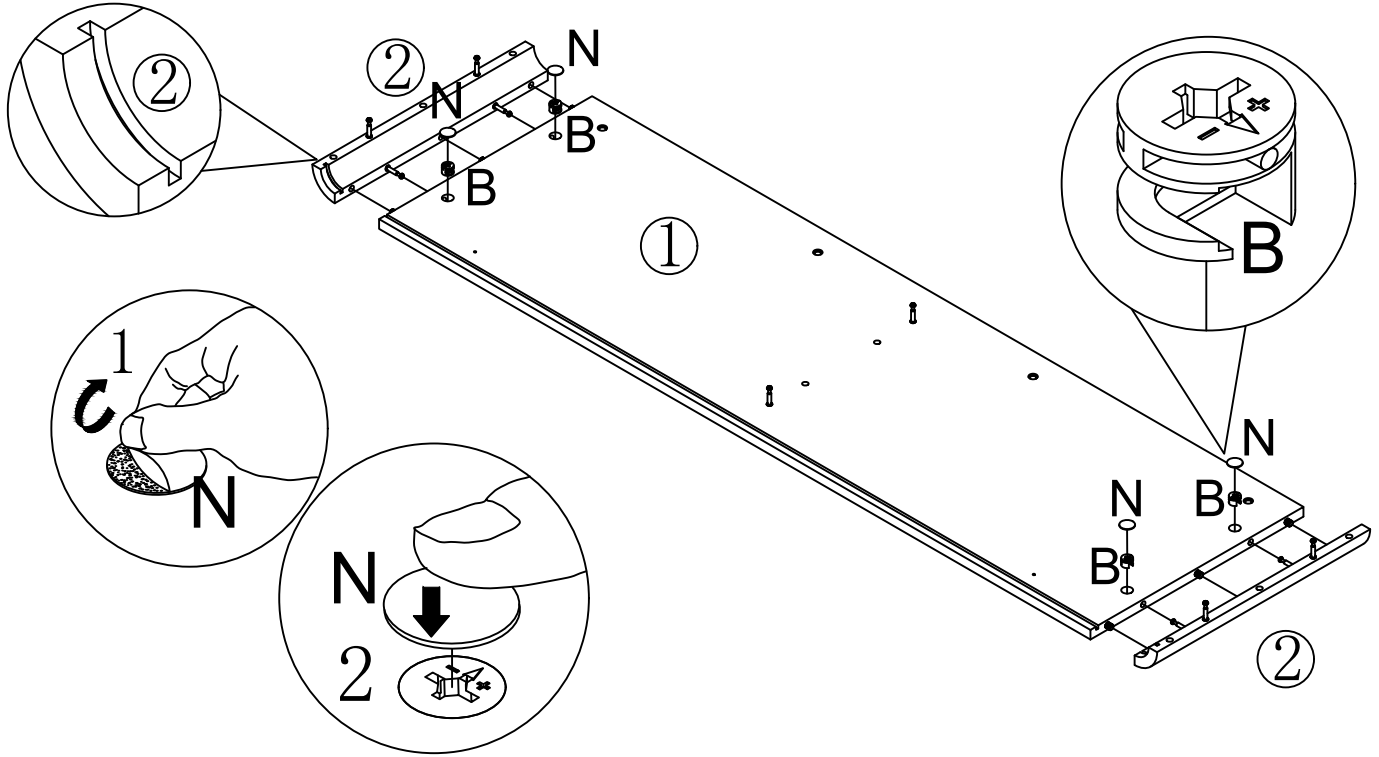


# Step 16



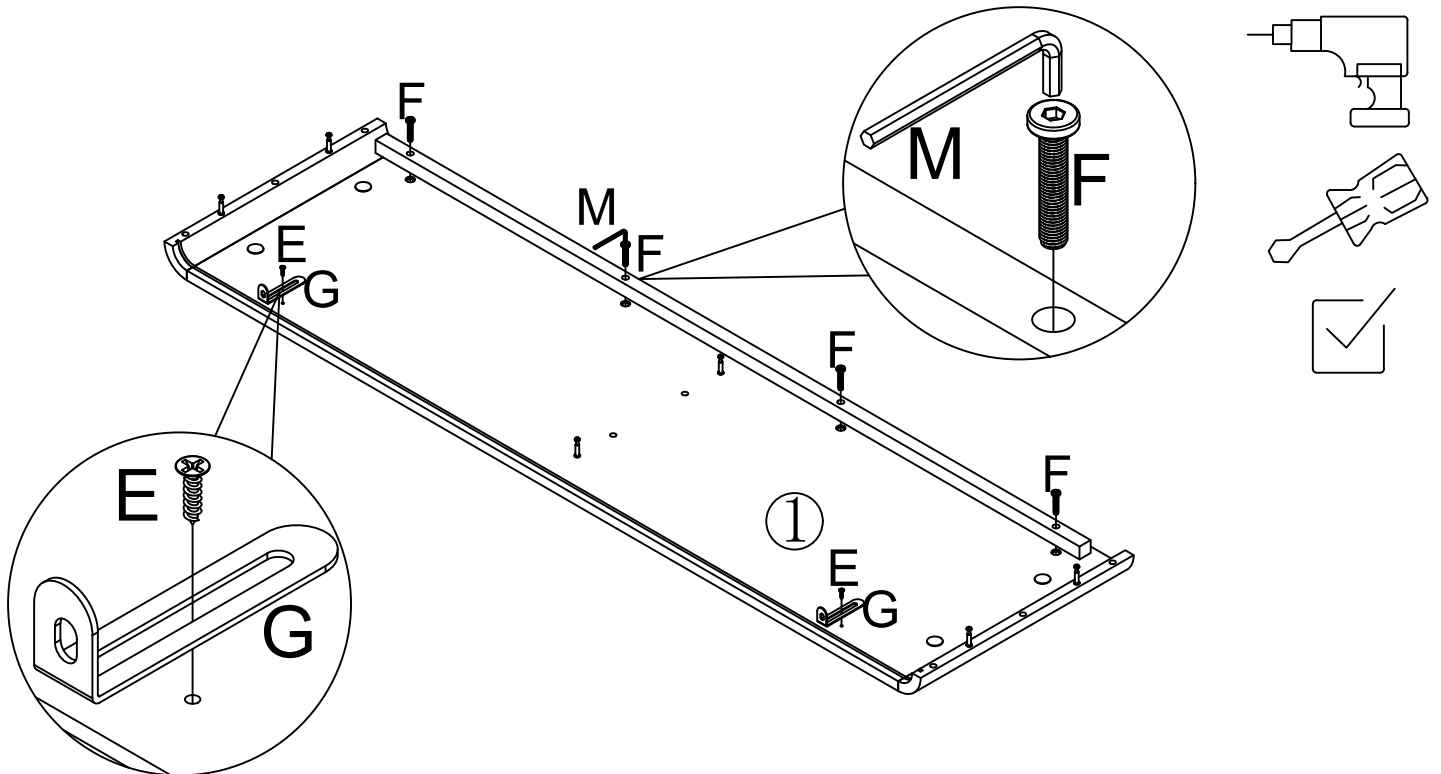
# Step 17

|   |    |   |    |
|---|----|---|----|
| B | ×4 | N | ×4 |
|   |    |   |    |



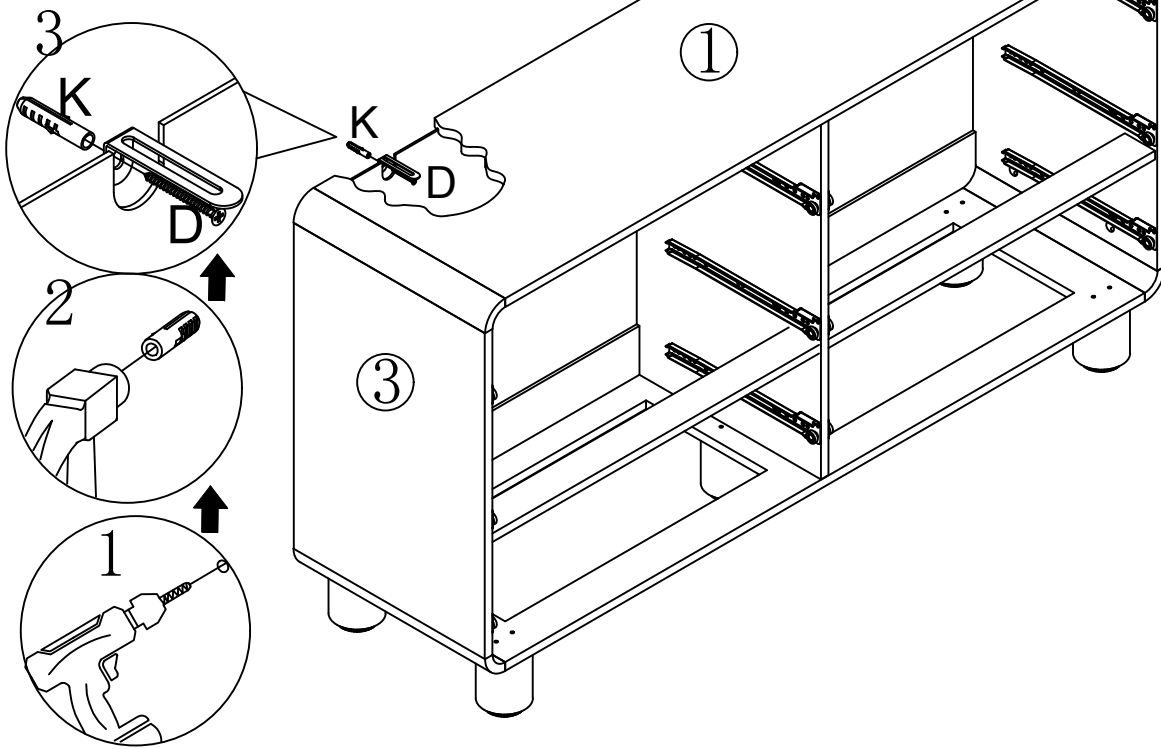
# Step 18

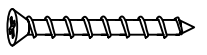

|   |    |   |    |   |    |   |    |  |
|---|----|---|----|---|----|---|----|--|
| E | ×2 | 4 | ×3 | G | ×2 | M | ×1 |  |
|   |    |   |    |   |    |   |    |  |

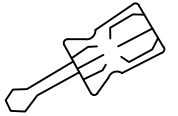
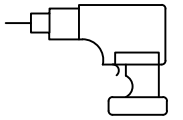
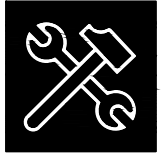




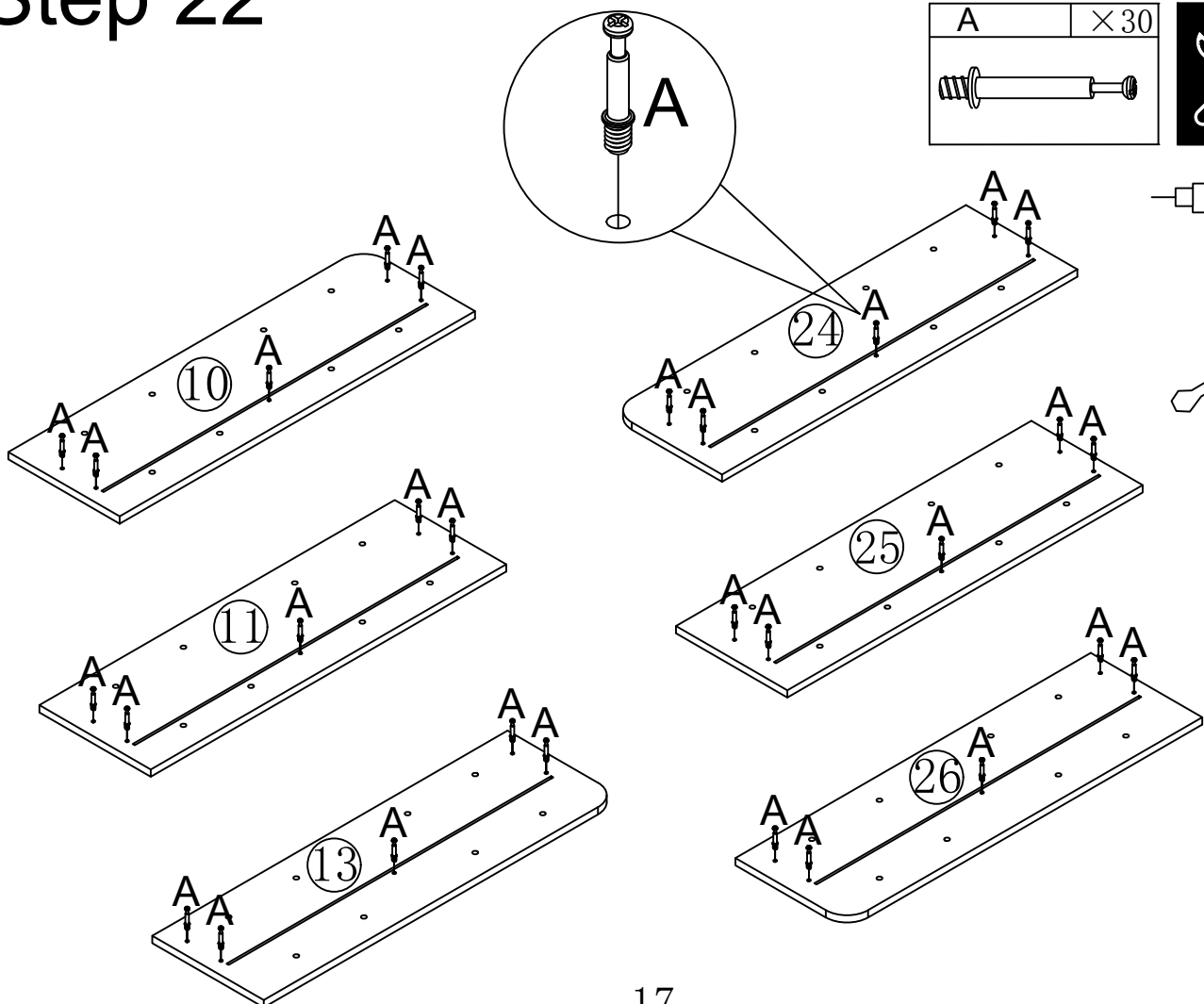
# Step 21

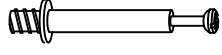


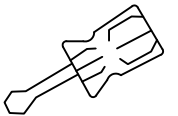
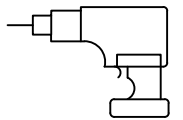
|   |    |
|---|----|
| D   | ×2 |
|  |    |
| K   | ×2 |
|  |    |



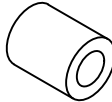
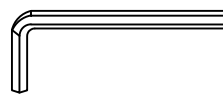

# Step 22

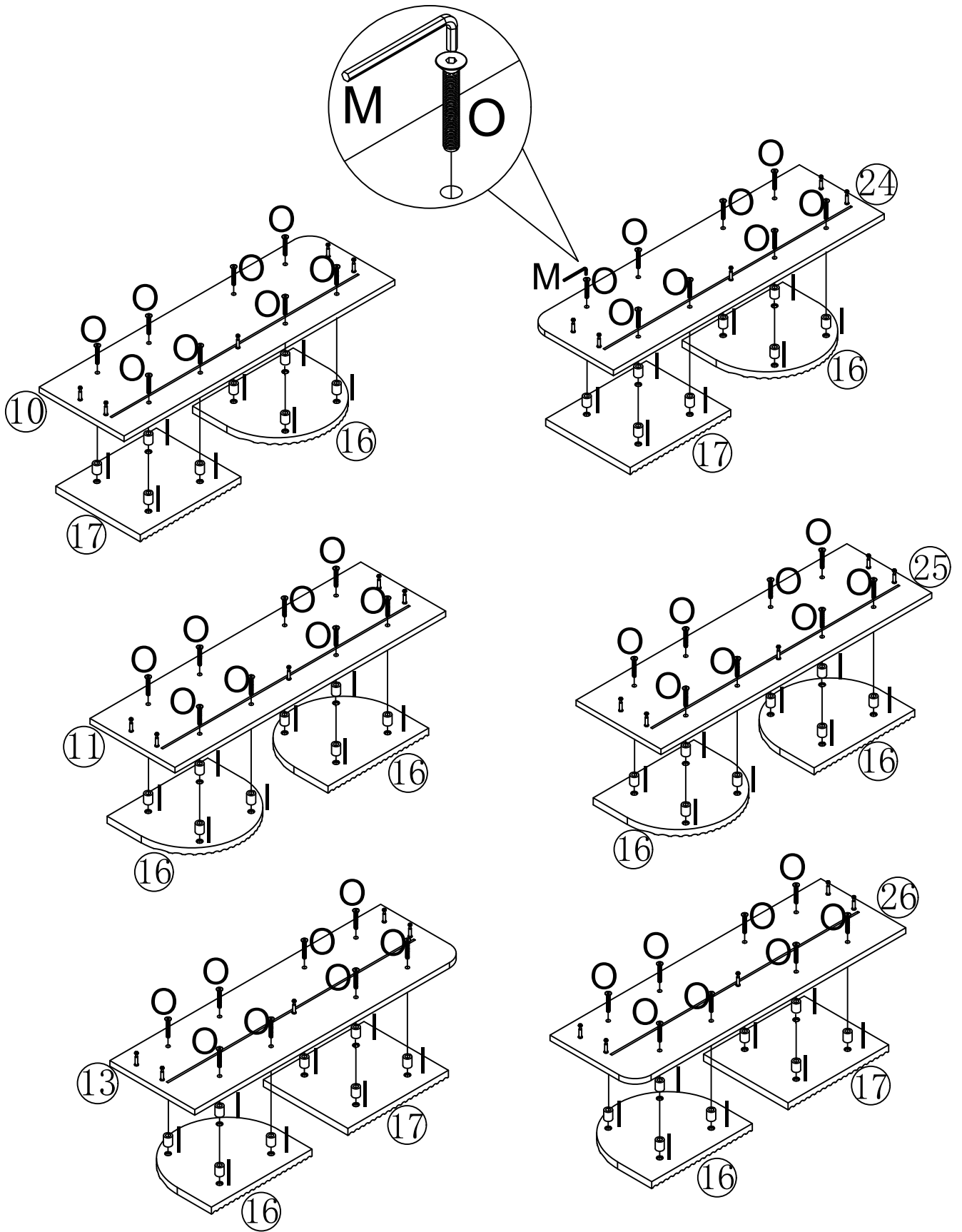


|   |     |
|---|-----|
| A   | ×30 |
|  |     |





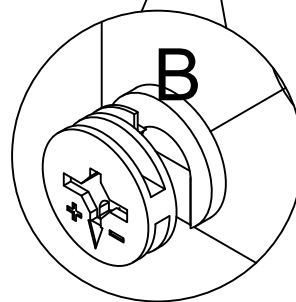
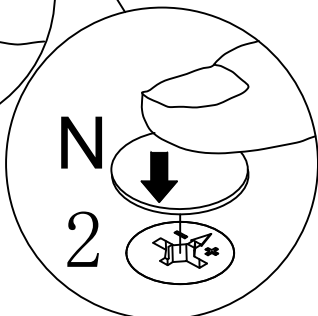
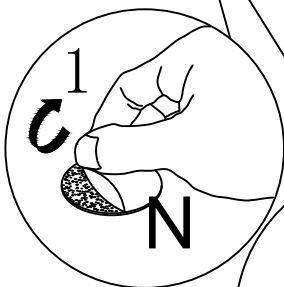
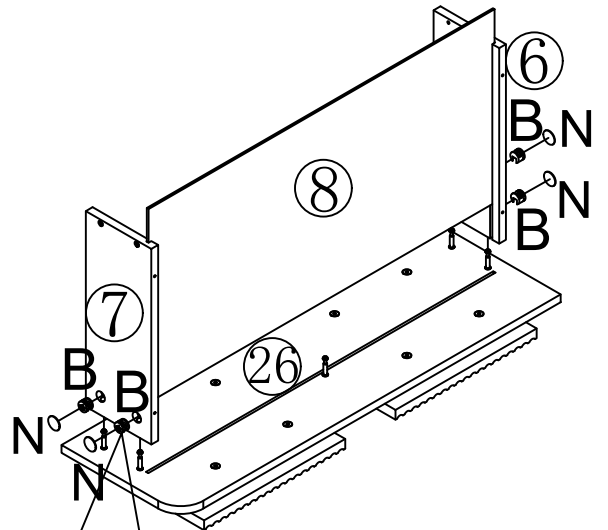
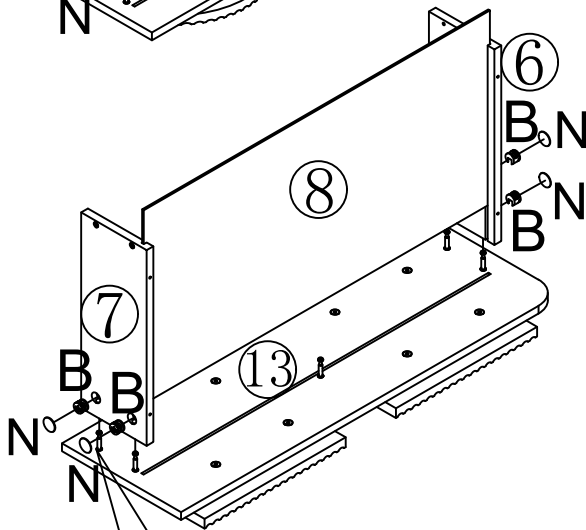
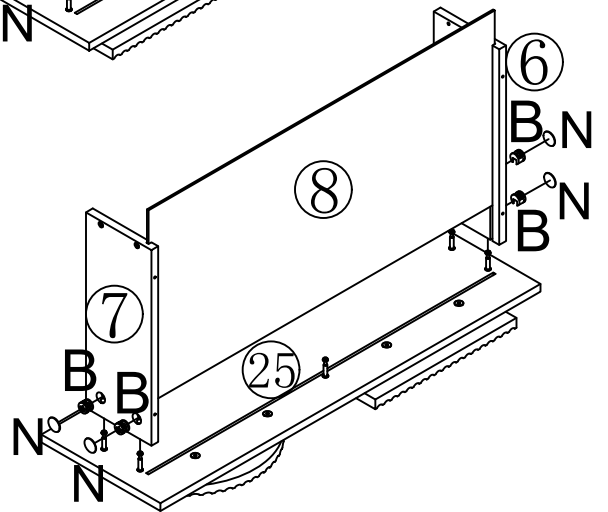
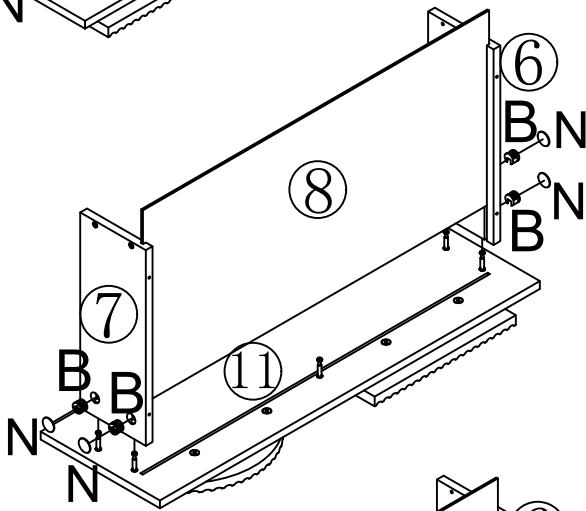
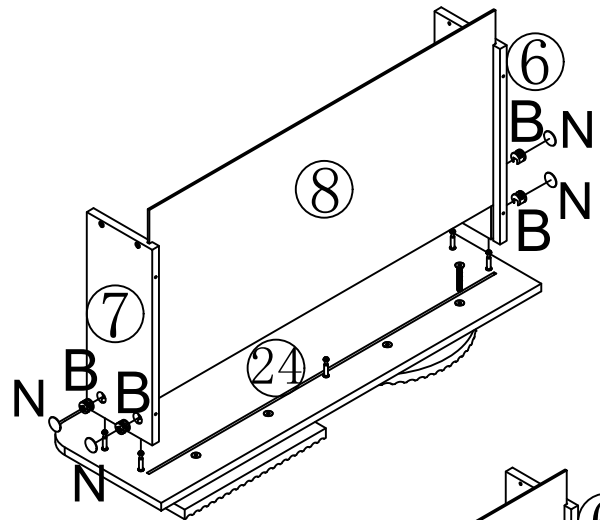
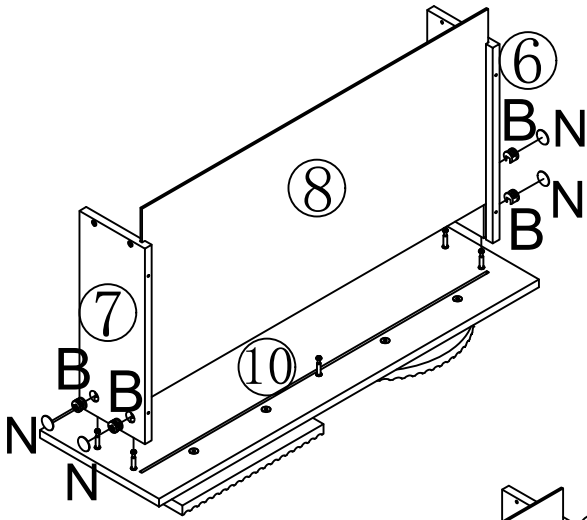
# Step 23

|  |     |  |    |  |     |
|--|-----|--|----|--|-----|
| I  | ×48 | M  | ×1 | O  | ×48 |
|  |     |  |    |  |     |





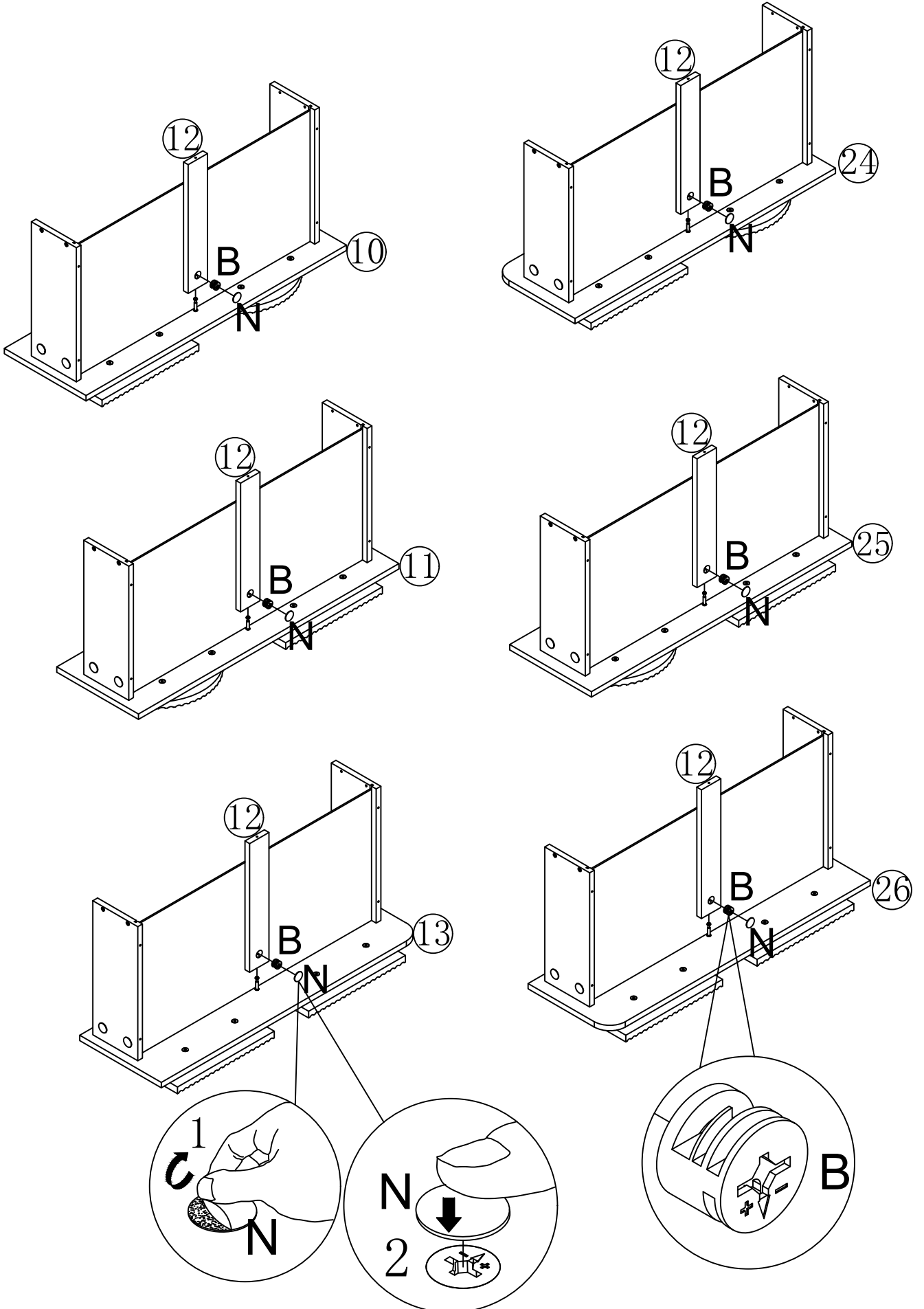
# Step 24

|  |     |   |     |
|--|-----|---|-----|
| B  | ×24 | N   | ×24 |
|  |     |  |     |

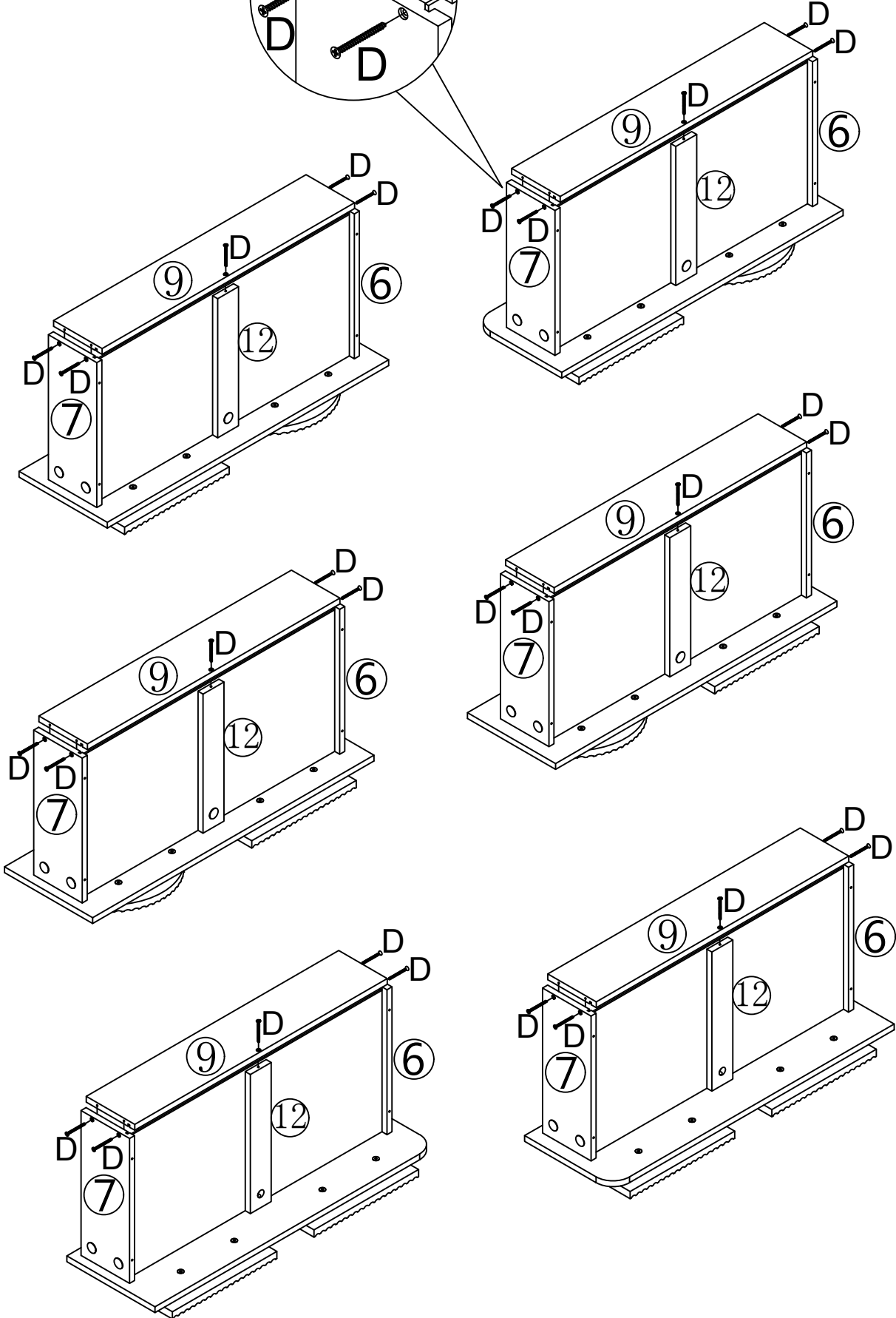
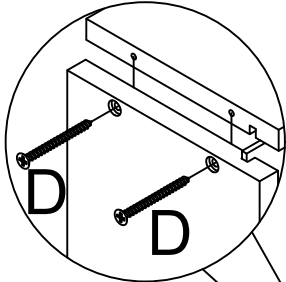
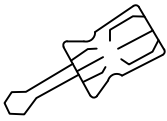
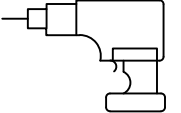
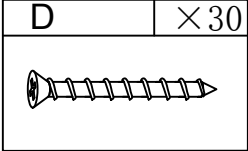


# Step 25

|  |    |   |    |
|--|----|---|----|
| B  | ×6 | N   | ×6 |
|  |    |  |    |

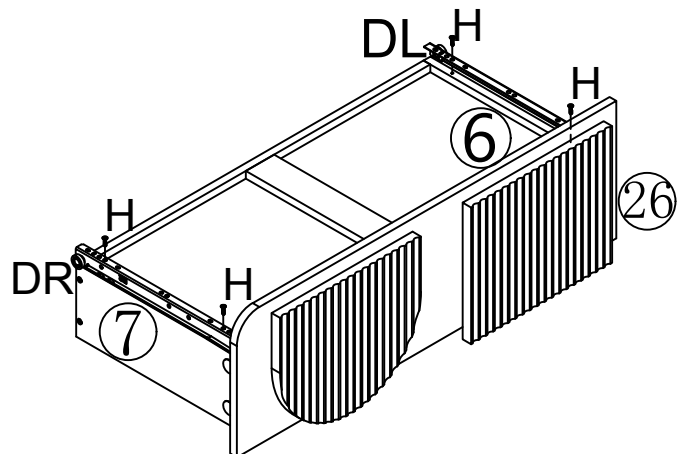
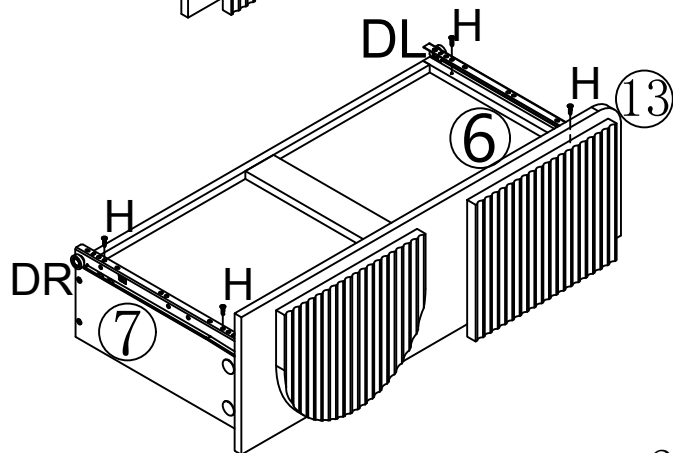
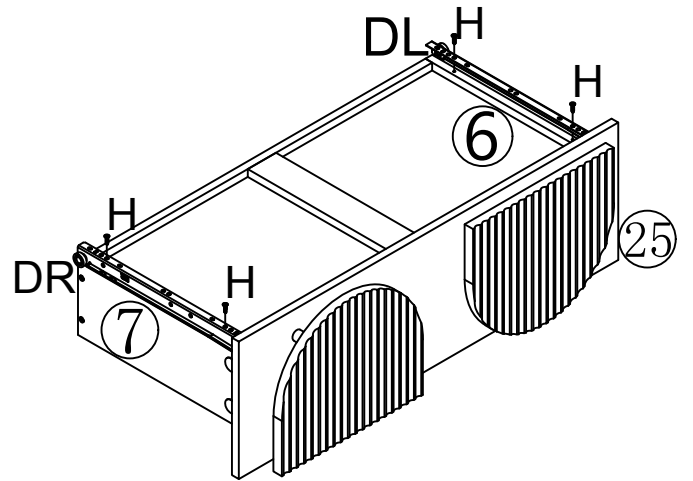
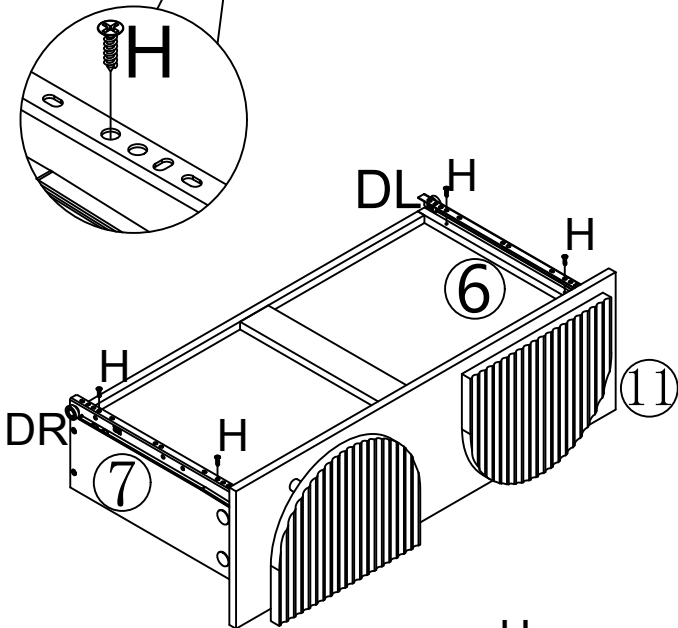
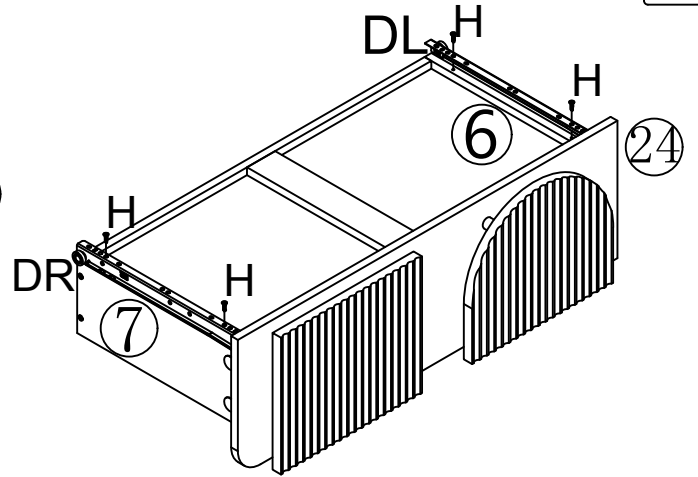
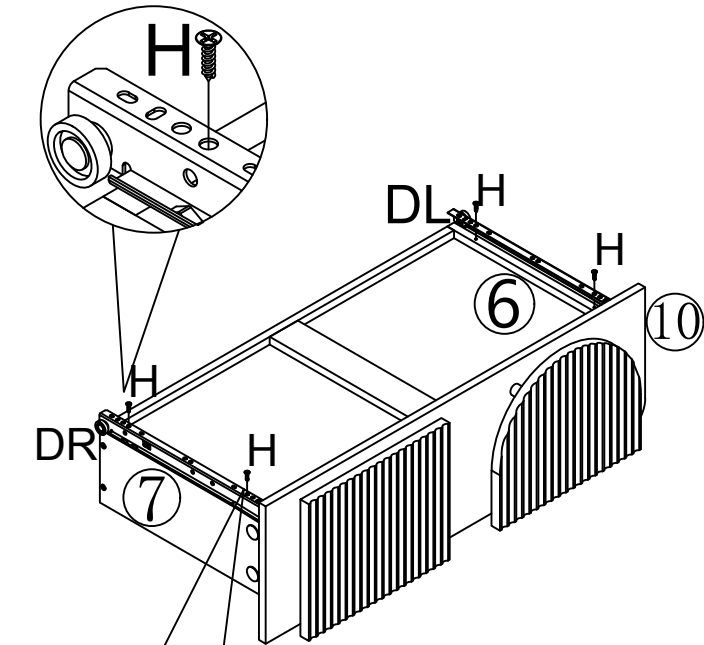
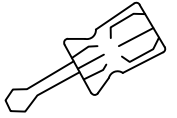
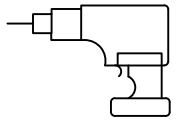
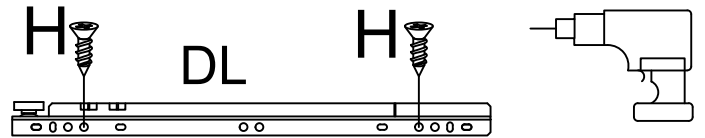
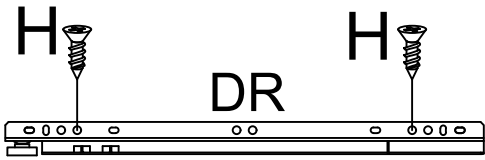


# Step 26

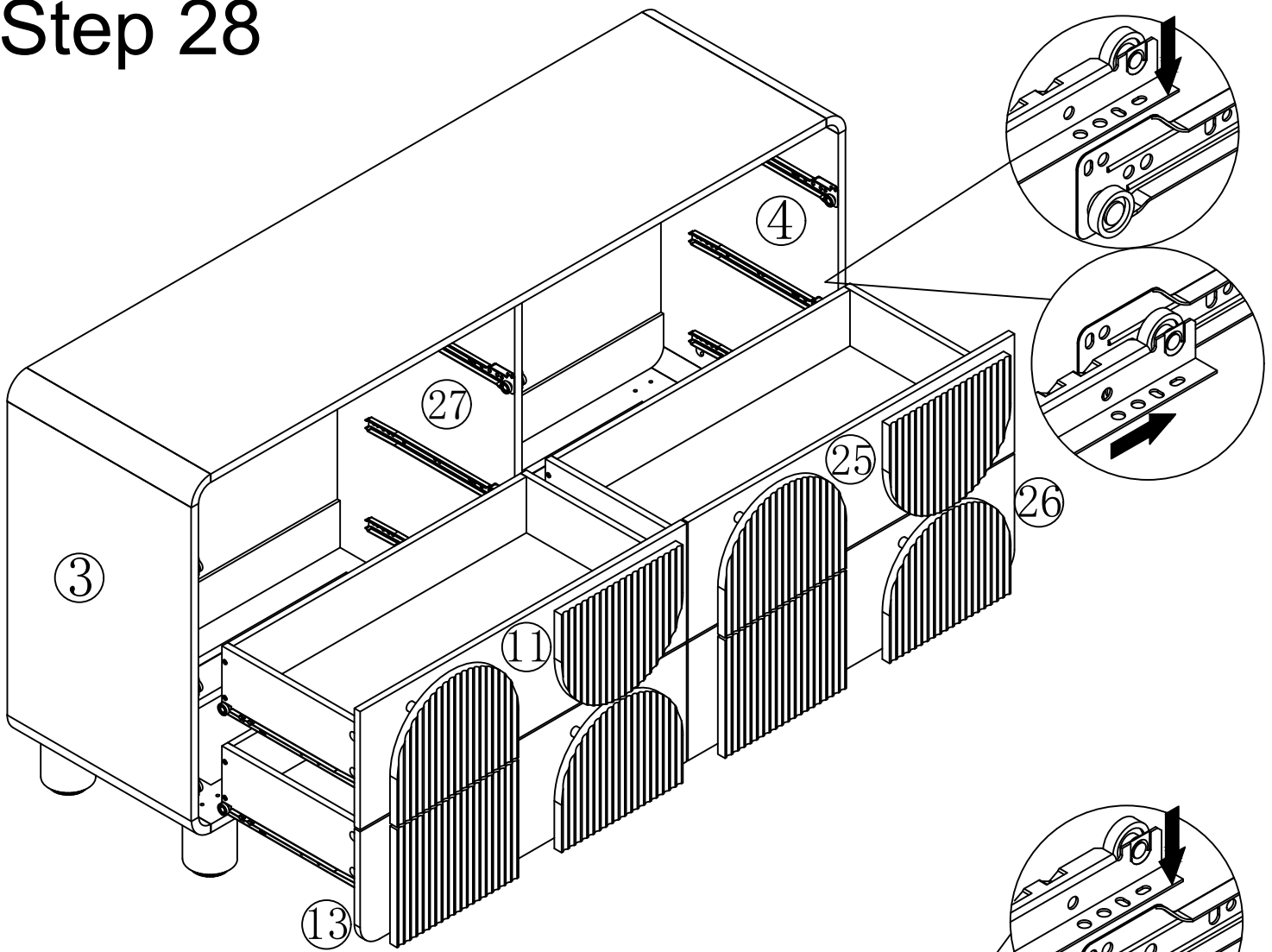


# Step 27

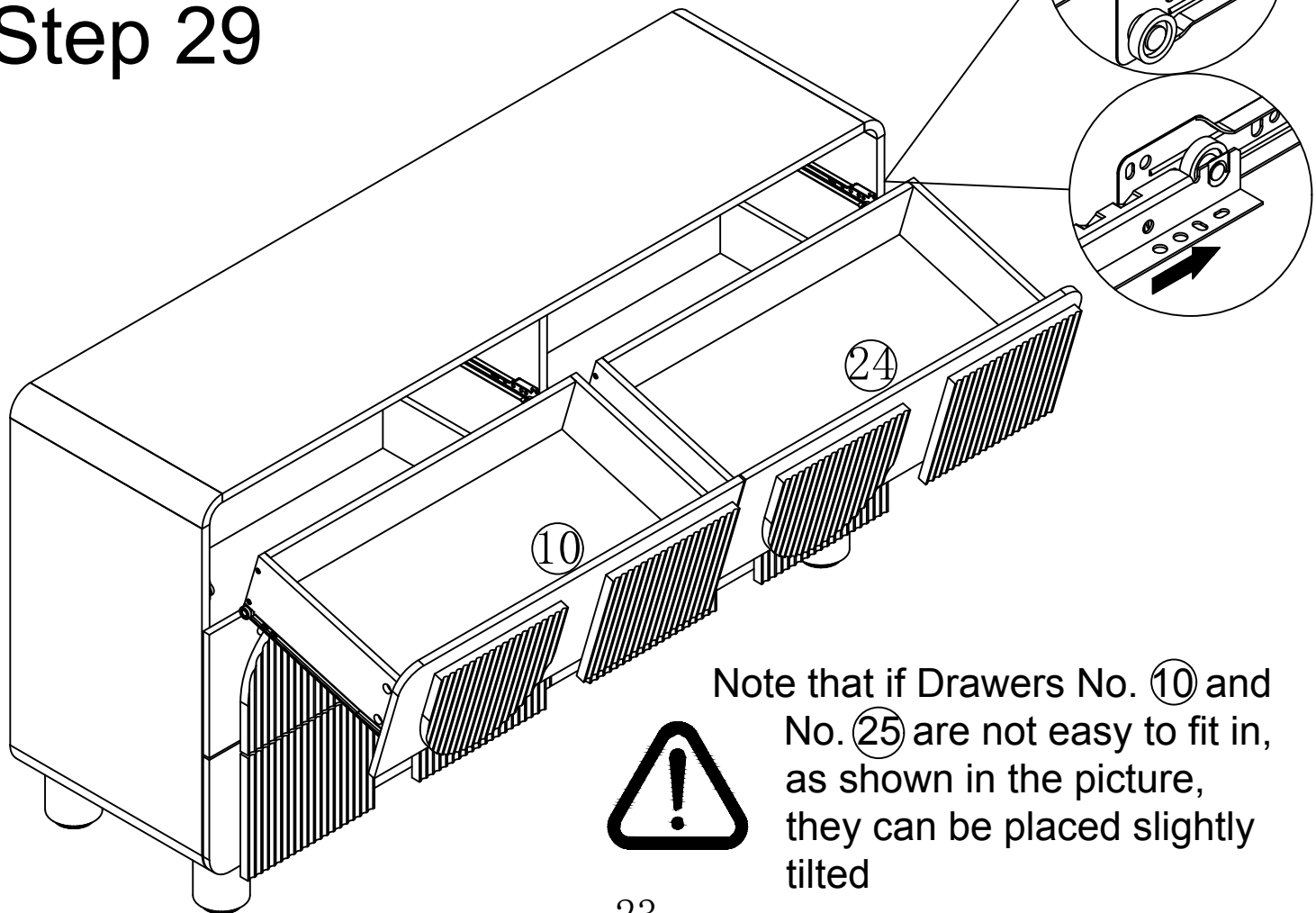
|    |    |    |    |   |     |
|----|----|----|----|---|-----|
| DL | ×6 | DR | ×6 | H | ×24 |
|    |    |    |    |   |     |



# Step 28



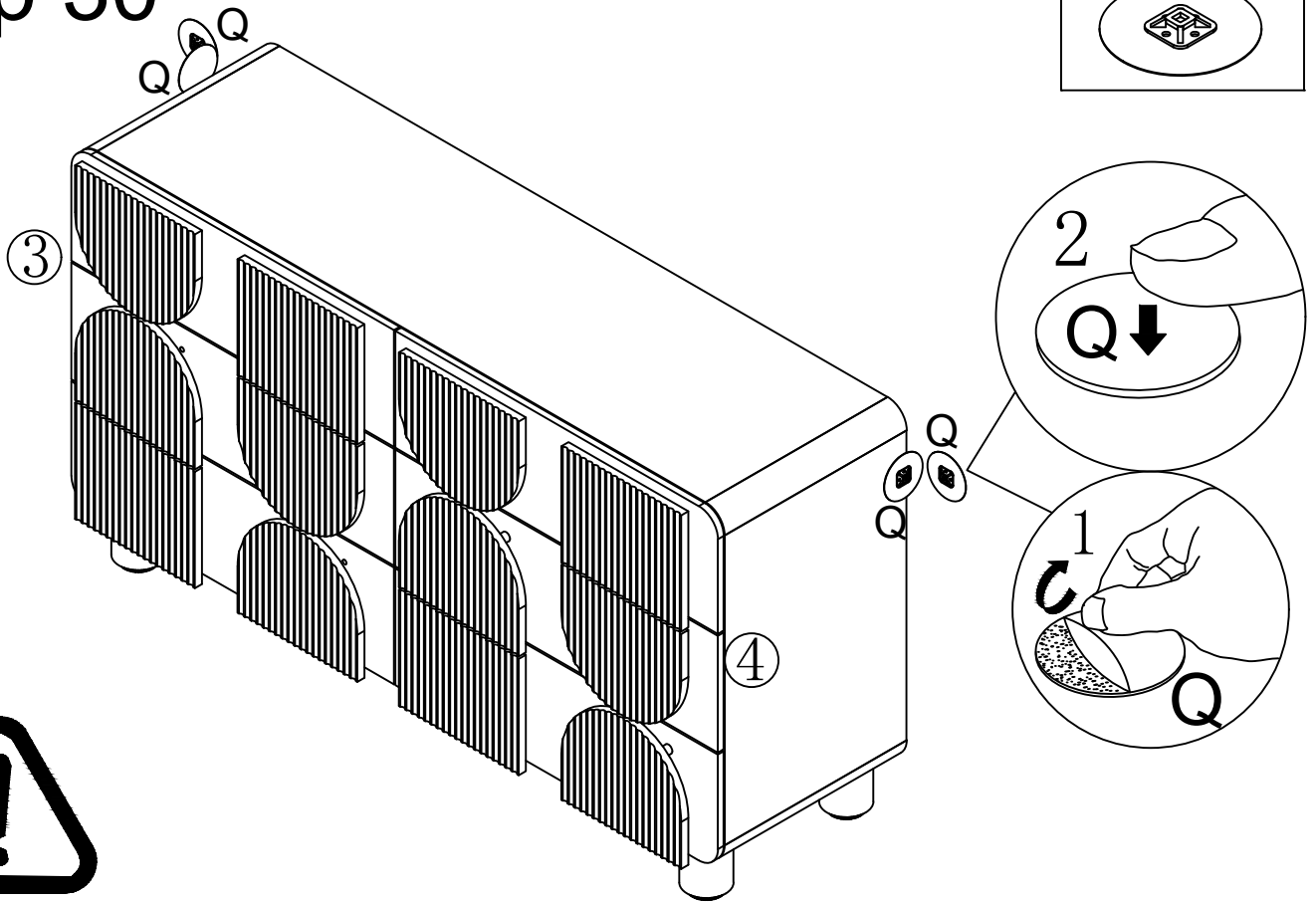
# Step 29



Note that if Drawers No. ⑩ and No. ⑫ are not easy to fit in, as shown in the picture, they can be placed slightly tilted

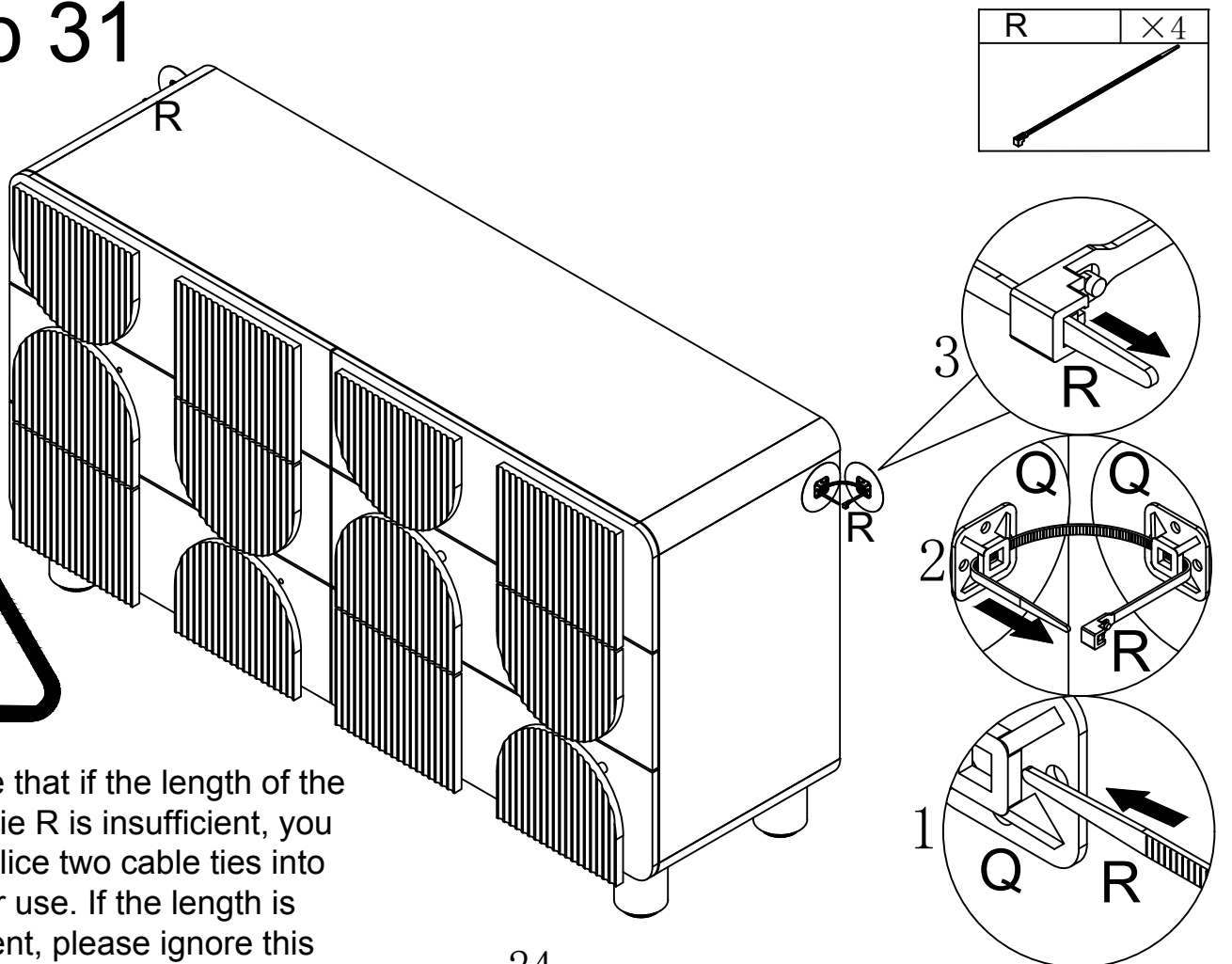


# Step 30



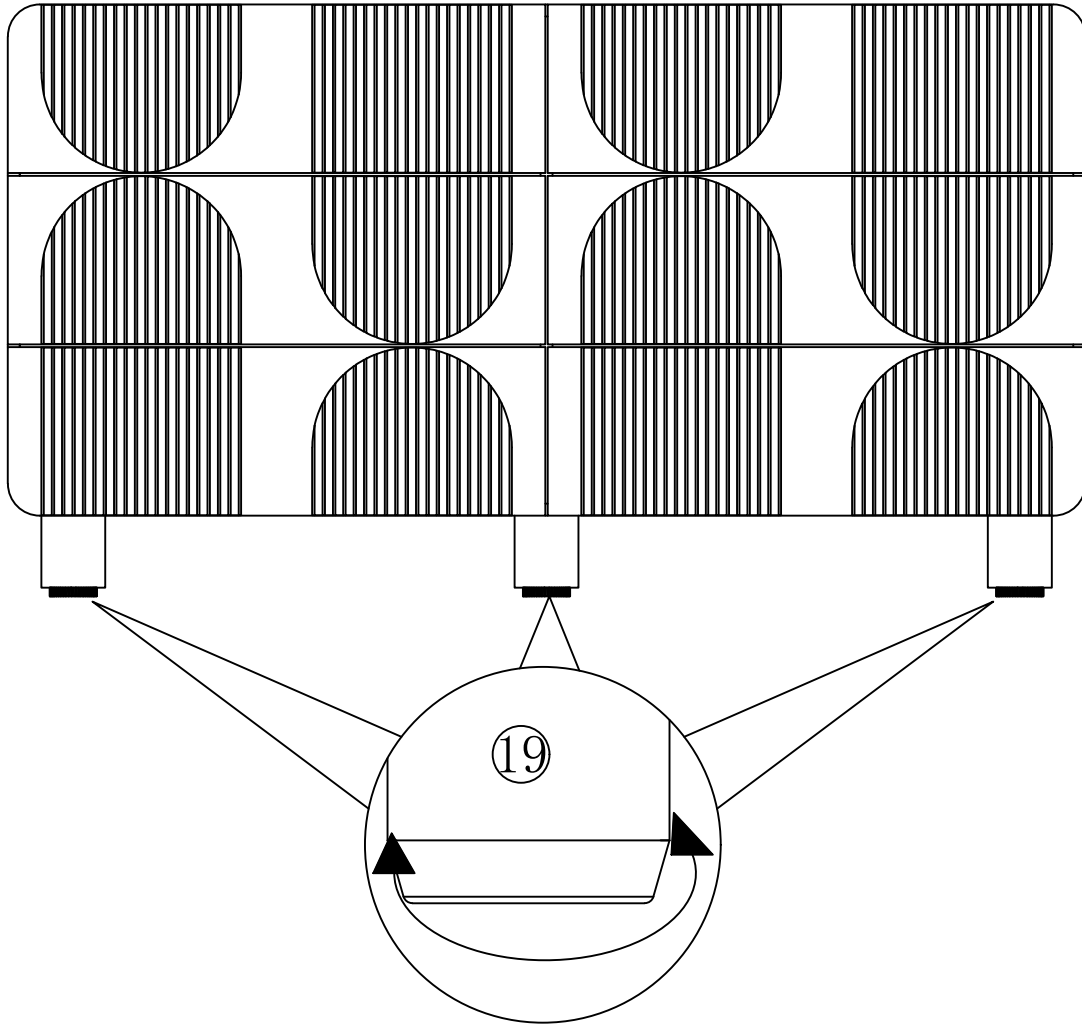
Remove the protective film of the self-adhesive cable tie buckle Q. Stick two of them on the wall and the other two on the side panels No. ③ to No. ④. Note that the distance between the pasting positions should not be too far to avoid affecting the next installation step.

# Step 31

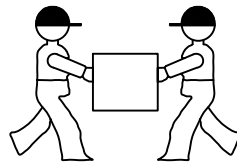
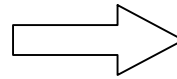
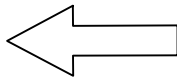


Please note that if the length of the cable tie R is insufficient, you can splice two cable ties into one for use. If the length is sufficient, please ignore this prompt.

# Step 32



If the center position of the cabinet is too high or too low due to an uneven base plate or other reasons, the up and down height can be adjusted by regulating the adjustable foot pads on feet ①9



Two people work together to move the table. Make sure you lift it off the ground. Don't push and pull.