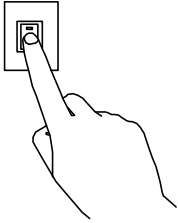


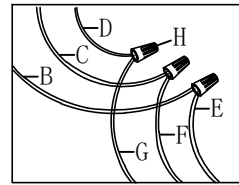
Installation Instruction

1



turn off the power.

4

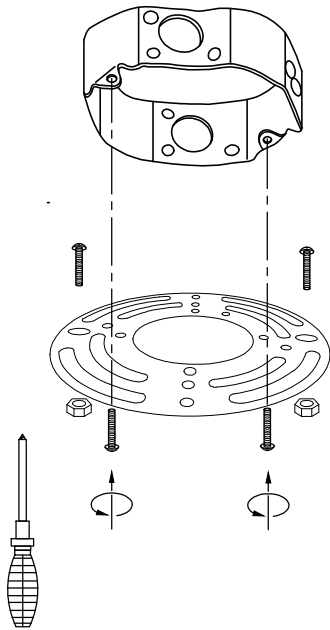


Wire connection

B-Black wire(L) from junction box
C-White wire(N) from junction box
D-Green wire or bare copper
from junction box
E-Black wire(L) from fixture
F-White wire(N) from fixture
G-Green wire or bare copper from fixture
H-wire connector x 3

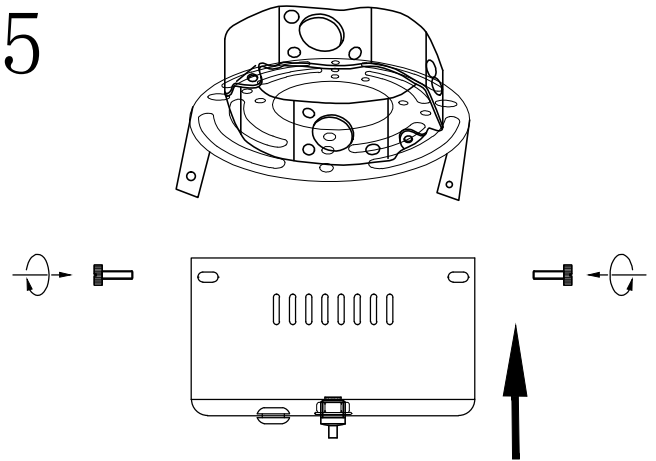
Conect wires

2



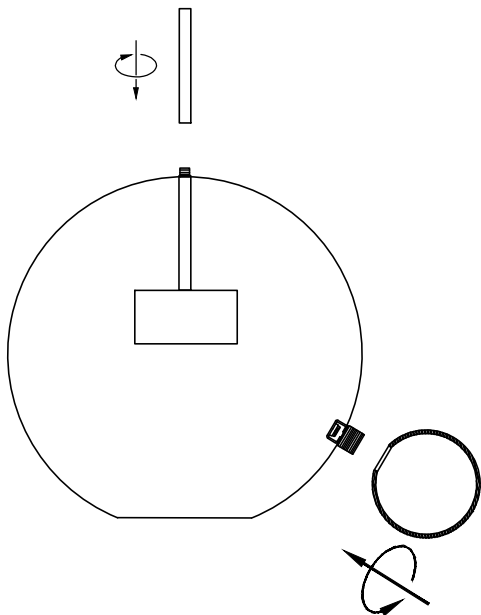
install mounting bracket

5



rise and install canopy
to canopy cover

3



install small shade and rod

