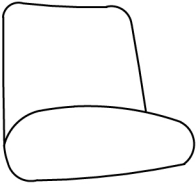
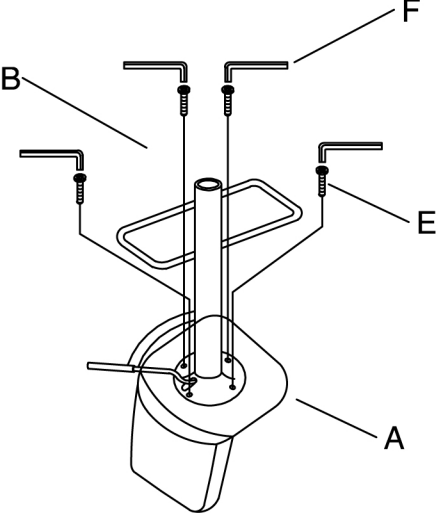
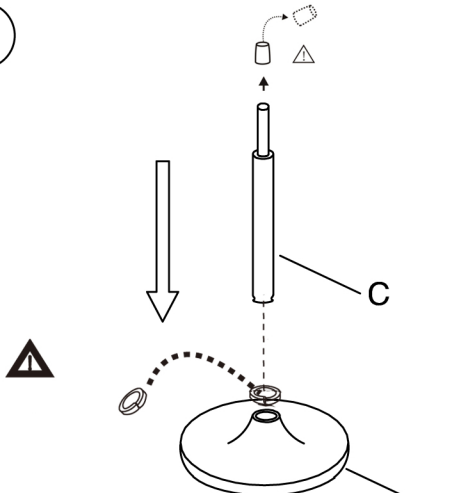
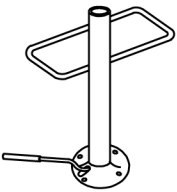

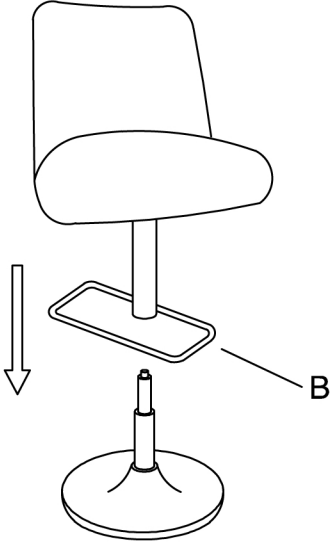
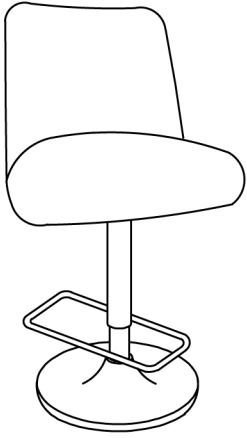
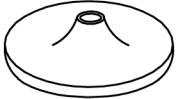




ASSEMBLY INSTRUCTIONS

	<p>A × 1</p>	<p>①</p> 	<p>②</p>  <p>Please remove the black protective cover. Before assembling</p>
	<p>B × 1</p>		
	<p>C × 1</p>	<p>③</p> 	<p>④</p> 
	<p>D × 1</p>		
	<p>E × 4</p>		
	<p>F × 1</p>		

Notes: compare the length of each of screw, twist them to 80% instead of 100%; adjust the balance of the chair after installation, twist each screw tightly step by step.