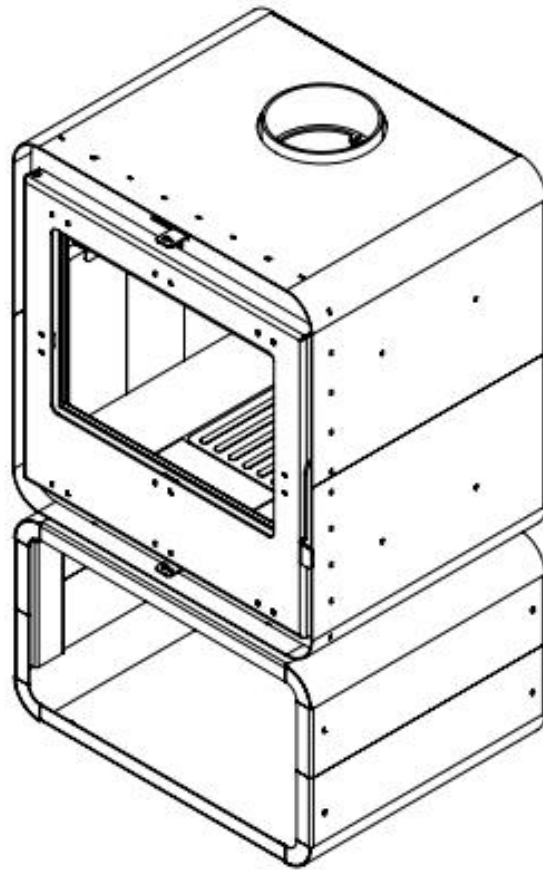


Instructions for Use of Fireplace



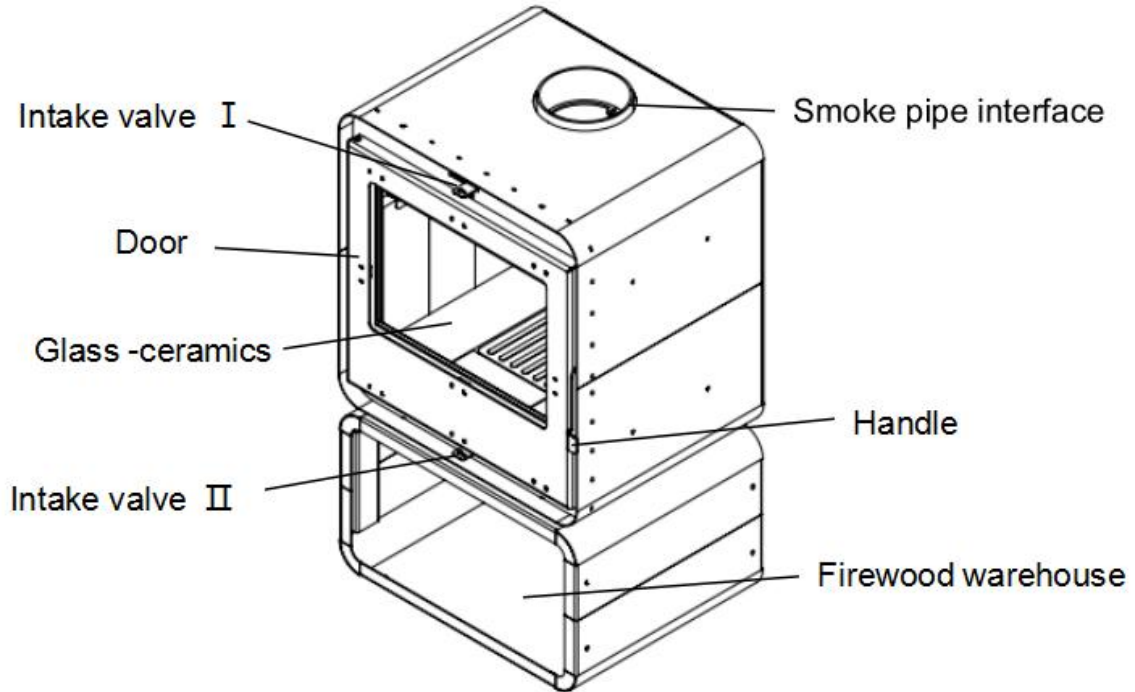
User Manual: Your Guide to Safe and Enjoyable
Fireplace Use. Learn How to Operate and Maintain
Your Fireplace for Maximum Comfort and Efficiency

ABLE OF CONTENTS

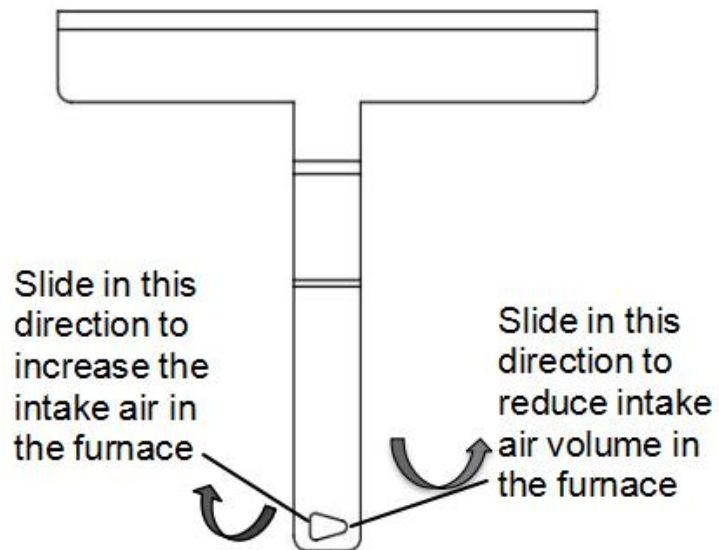
一、 Fireplace Related Parameters	1
二、 Safety Information And Environment	3
1.Safety guidelines	3
2.WHEN THE STOVE IS WORKING:	4
3.DO NOT BURN:	4
三、 Use and maintenance	6
1. Ignite steps:	6
2. Burning Wood Efficiently	7
2.1 First Use	7
2.2 Lighting Fires	8
3.To put wood burning stove out	8
4.Cleaning ash and cleaning	9
5.Maintenance	9

一、Fireplace related parameters

Detailed explanation of fireplace



Intake valve



Specifications	
Model	QC-03
Nominal output power	6KW
Efficiency at Max	≥73.4%
smoke outlet pipe	5.9”(150mm)
N.W	187.39 lbs(85KG)
G.W	216 lbs(98KG)
Installation Type	Freestanding
Body material	Carbon steel
Paint	Forest brand
Glass	Schott
Glass size	11.7”*16.06” (298*408mm)
Dimension	20.63”*16.14”*34.69” (524*410*881mm)
Certification	CE、ECO Design
Energy efficiency class	A+

二、 Safety Information and Environment

1.Safety guidelines

- ◆ Ensure that the installation and connections of the fireplace comply with national and local regulations.
- ◆ Hot while operation,keep children,clothing and furniture away.Contact may cause skin burns.Gloves may be needed for the stove operation.
- ◆ Using a stove with cracked or broken components, such as glass, firebricks or baffle may produce an unsafe condition and may damage the stove.
- ◆ Before use, check that the fireplace's ignition source and flue are clear, and the chimney is in good working order.
- ◆ Open the air control fully before opening the loading door.
- ◆ Never use gasoline, lantern fuel (naphtha), fuel oil, motor oil, kerosene, charcoal lighter fluid, or similar liquids or aerosols to start a fire in this stove. Keep all such liquids or aerosols well away from the stove while it is in use.
- ◆ Do not store fuel within heater minimum installation clearances.
- ◆ Burn only seasoned natural firewood.
- ◆ This appliance should always be maintained and operated in accordance with these instructions. Do not elevate the fire by using a grate.

- ◆ Do not use makeshift materials or make any compromises when installing this appliance
- ◆ Mixing of appliance components from different sources or modifying components may result in hazardous conditions. Where any such changes are planned, Stove Builder International Inc. Should be contacted in advance.
- ◆ Do not connect this unit to a chimney flue serving another appliance.

2.WHEN THE STOVE IS WORKING:

- NEVER OPEN THE DOOR;
- DO NOT TOUCH THE FUME OUTLET;
- DO NOT POUR ANY LIQUID INSIDE THE FIREBOX;
- DO NOT TOUCH THE DOOR GLASS AS IT BECOMES EXTREMELY HOT;
- KEEP CHILDREN AWAY FROM IT;
- DO NOT PERFORM ANY MAINTENANCE OPERATIONS IF THE STOVE IS NOT COLD, FOR EXAMPLE, CLEANING THE STAINS ON THE GLASS;
- FOLLOW ALL THE INSTRUCTIONS CONTAINED HEREIN.

3.DO NOT BURN:

- CONSTRUCTION OR DEMOLITION DEBRIS;

- RAILROAD TIES OR PRESSURE-TREATED WOOD;
- GARBAGE;
- LAWN CLIPPINGS OR YARD WASTE;
- SALT WATER DRIFTWOOD OR OTHER PREVIOUSLY SALT WATER SATURATED MATERIALS;
- UNSEASONED WOOD;
- MATERIALS CONTAINING RUBBER, INCLUDING TIRES;
- MATERIALS CONTAINING PLASTIC;
- MATERIALS CONTAINING ASBESTOS;
- MANURE OR ANIMAL REMAINS;
- BURNING THESE MATERIALS MAY RESULT IN THE RELEASE OF TOXIC FUMES OR RENDER THE HEATER INEFFECTIVE AND CAUSE SMOKE;
- WASTE PETROLEUM PRODUCTS, PAINTS OR PAINT THINNERS, OR ASPHALT PRODUCTS.

三、 Use and maintenance

1. Ignite steps:

- (1) Before burning the furnace, open the ash box to see if it needs to be cleaned, and try not to open the ash box during combustion.
- (2) When lighting a fire, the air vents should be fully open.
- (3) Open the fireplace and put large firewood first, then small firewood, and a piece of alcohol blocks or other permitted safety combustion aids in the middle for ignition. (Separate packaged alcohol blocks should be torn open before use to avoid sudden explosion during ignition).
- (4) Open intake valve I / II to their maximum position.
- (5) Use an igniter to ignite.
- (6) Close a part of the fireplace door, please do not close all the doors tightly to prevent the glass from burning black. It is best to open a small crack in the door to increase the air intake. After the firewood in the furnace starts to burn fully (15mins-30mins), close the furnace door tightly.
- (7) Slide the fireplace intake valve I / II to adjust the intake air in the furnace to control the firepower of the firewood.
- (8) Intake valve I remains normally open.

2. Burning Wood Efficiently

2.1 First Use

Two things happen when burning the first few fires; the paint cures and the internal components are conditioned. As the paint cures, some of the chemicals vaporize. The vapors are not poisonous, but they smell bad. Fresh paint fumes can also trigger false alarms in smoke detectors. When lighting the heater for the first few times, it may be wise to open doors and windows to ventilate the house. Burn two or three small fires to begin the curing and conditioning process. Then build bigger and hotter fires until there is no longer paint smell from the stove. As hotter and hotter fires are burned, more of the painted surfaces reach the curing temperature of the paint. The smell of curing paint does not disappear until one or two very hot fires have been burned.

TIP: USING THE APPLIANCE FOR THE FIRST TIME

- (1) For the first few times the appliance is lit, odorous fumes will be given off as the paint cures.
- (2) Do not touch the paint work while it is curing otherwise it can leave a permanent mark on the appliance.
- (3) Keep the room well ventilated until these fumes have cleared.
- (4) Once the paint has cured, this will not re-occur.

2.2 Lighting Fires

Each person heating with wood develops its own favorite way to light fires. Regardless of the method chosen, the goal should be to have a hot fire burning, quickly. A fire that ignites fast produces less smoke and deposits less creosote in the chimney.



Never use gasoline, gasoline-type lantern fuel (naphtha), fuel oil, motor oil, kerosene, charcoal lighter fluid, or similar liquids or aerosols to start or 'freshen up' a fire in this wood stove. Keep all such liquids well away from the stove while it is in use.

3.To put wood burning stove out

- ✓ Ensure that the door to the stove is shut.
- ✓ Don't add any further bits of wood to the fire.
- ✓ Fully close any controllable air vents on the stove to cut off the oxygen supply to the fire.

4.Cleaning ash and cleaning

- ✧ Turn off the stove and wait at least 24 hours for it to cool down.
- ✧ Remove the ashes using a metal shovel or hearth tool, and place them in a metal container.
- ✧ Clean the inside of the stove using a brush or vacuum cleaner. If using a vacuum, make sure it has a filter to prevent dust from escaping.
- ✧ Check for any blockages or damage to the stove doors, flue, and chimney, and repair or replace as necessary.
- ✧ Clean your stove at least once a season to ensure it operates efficiently and safely.

Painted and plated surfaces can be wiped down with a soft, damp cloth. If the paint is scratched or damaged, it is possible to repaint the heater with a heat-resistant paint. Do not clean or paint the appliance when it is hot.

5.Maintenance

This heater will give many years of reliable service if used and maintained properly. Internal components of the firebox such as firebricks or refractory panels, baffle and air tubes will wear over time. Defective parts should always be replaced with original parts.

Thank you for choosing our fireplace as a source of warmth and comfort in your home. We hope that this user manual has provided you with all the information you need to safely and effectively operate your fireplace. If you have any further questions or concerns, please do not hesitate to contact us for assistance: LuisaMiller@aliyun.com.

Enjoy your cozy fireside moments!