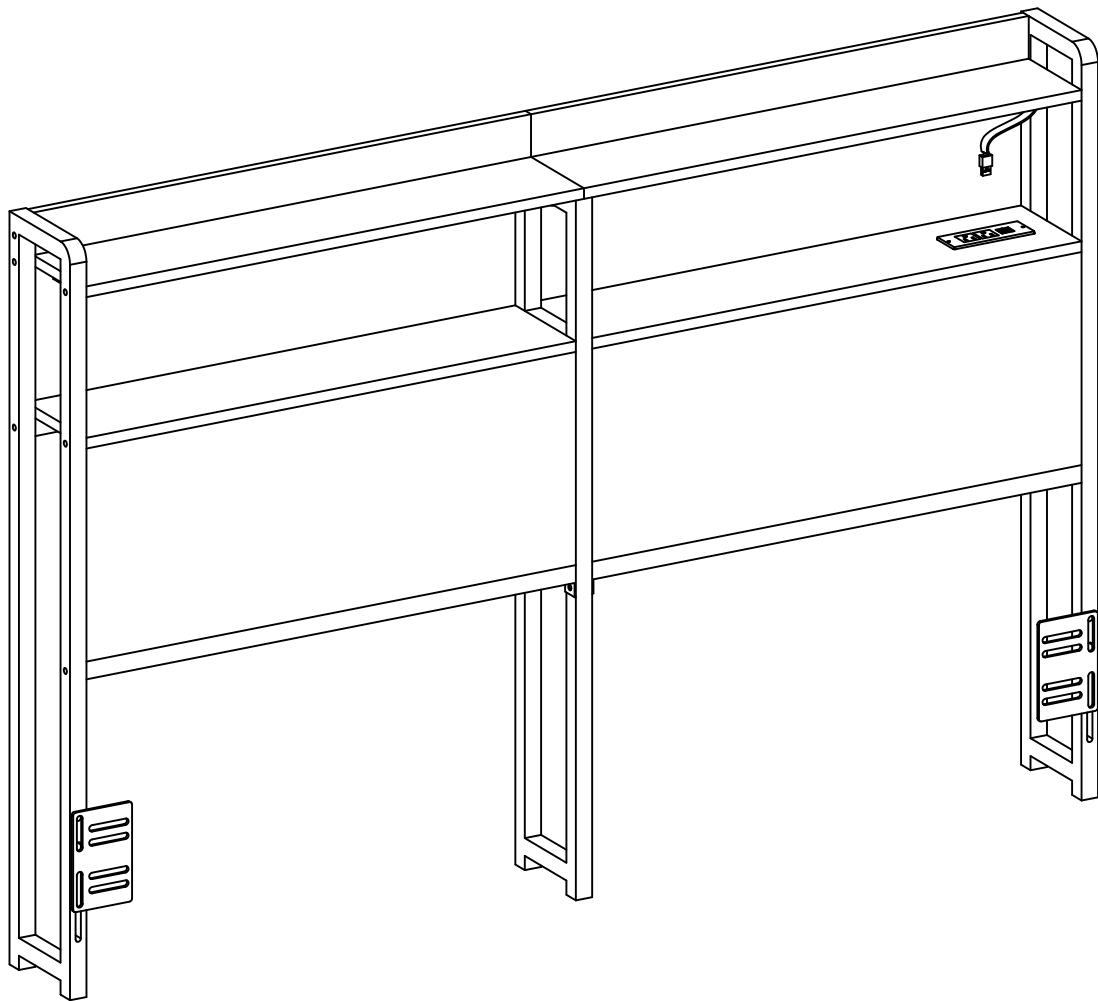
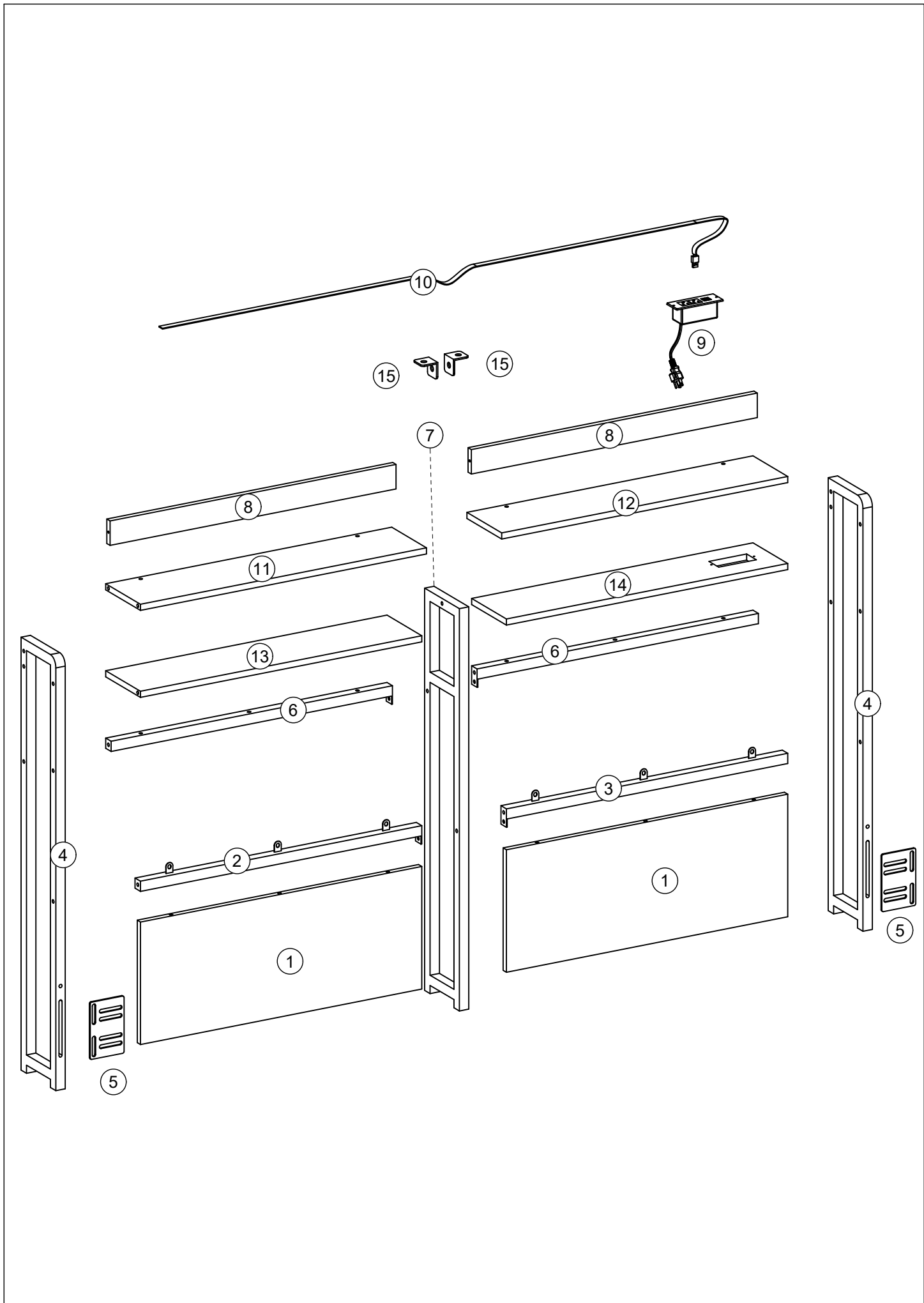


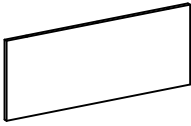





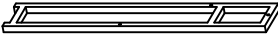


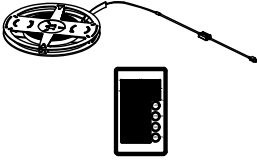
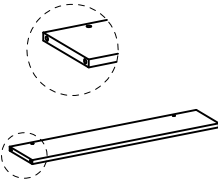
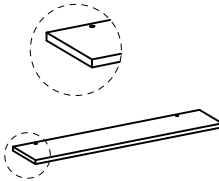



# ASSEMBLY INSTRUCTION

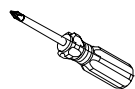
CTB-02



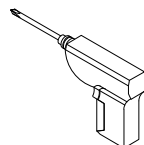


# Parts List

<p>1</p>  <p>2pcs</p>	<p>2</p>  <p>1pc</p>	<p>3</p>  <p>1pc</p>	<p>4</p>  <p>2pcs</p>
<p>5</p>  <p>2pcs</p>	<p>6</p>  <p>2pcs</p>	<p>7</p>  <p>1pc</p>	<p>8</p>  <p>2pcs</p>
<p>9</p>  <p>1pc</p>	<p>10</p>  <p>1pc</p>	<p>11</p>  <p>1pc</p>	<p>12</p>  <p>1pc</p>
<p>13</p>  <p>1pc</p>	<p>14</p>  <p>1pc</p>	<p>15</p>  <p>2pcs</p>	

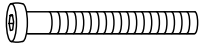
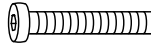
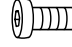

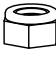





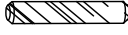

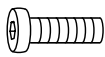



philips head screw driver  
required of assembly  
(Not include)

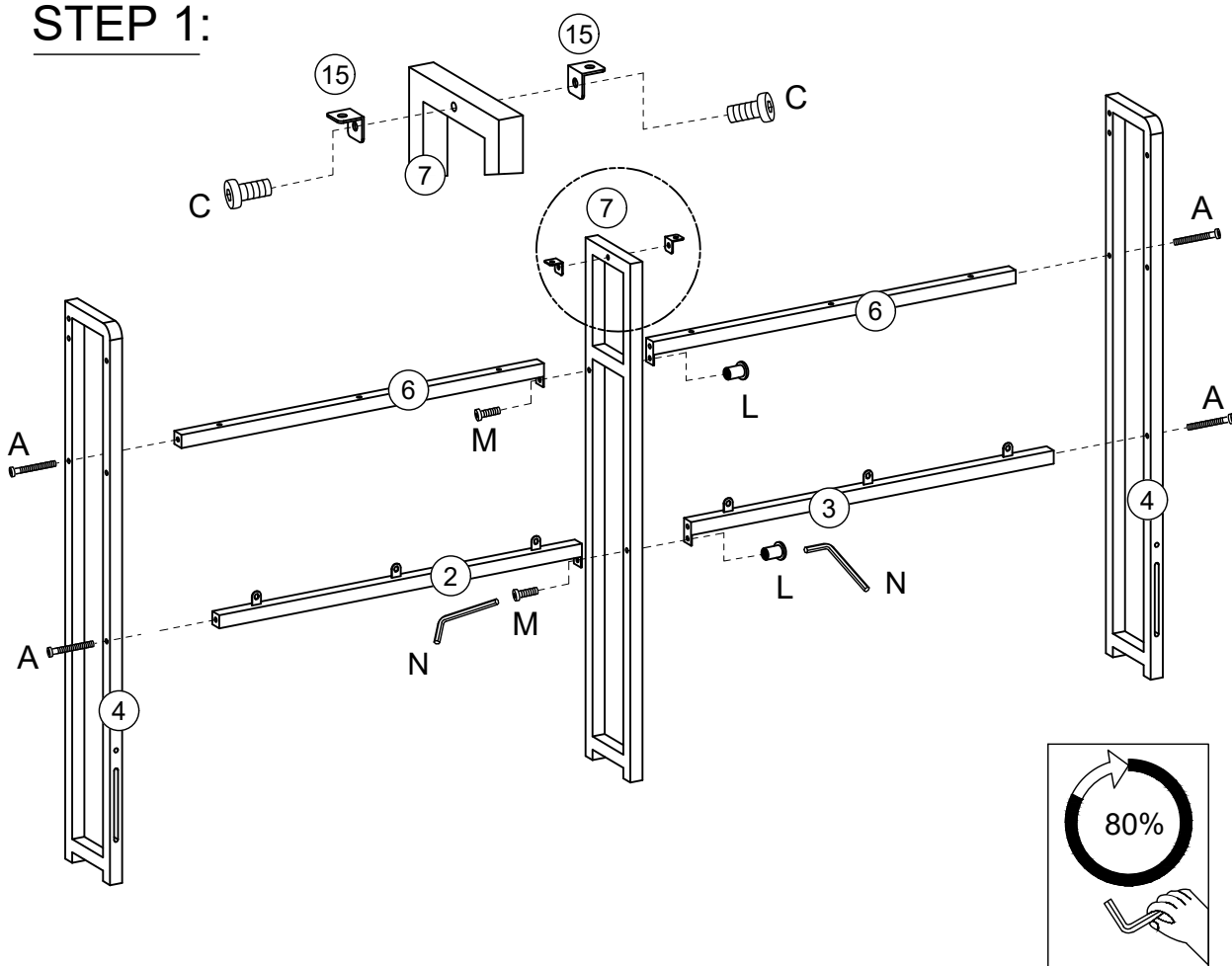


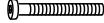
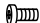



electric drill  
(Not include)

# Hardware List

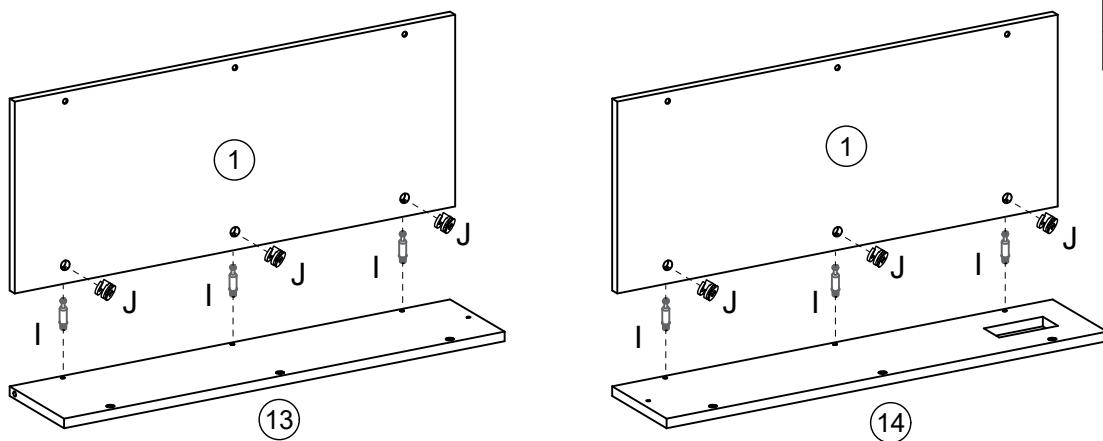
<p><b>A</b></p>  <p>M6*45mm 4pcs</p>	<p><b>B</b></p>  <p>M6*35mm 10pcs</p>	<p><b>C</b></p>  <p>M6*12mm 10pcs</p>
<p><b>D</b></p>  <p>8pcs</p>	<p><b>E</b></p>  <p>M6 4pcs</p>	<p><b>F</b></p>  <p>M6 1pc</p>
<p><b>G</b></p>  <p>M7*48mm 12pcs</p>	<p><b>H</b></p>  <p>M3.5*14mm 2pcs</p>	<p><b>I</b></p>  <p>6pcs</p>
<p><b>J</b></p>  <p>6pcs</p>	<p><b>K</b></p>  <p>Ø8*30 1pc</p>	<p><b>L</b></p>  <p>M6 2pcs</p>
<p><b>M</b></p>  <p>M6*20mm 2pcs</p>	<p><b>N</b></p>  <p>M6 2pcs</p>	



# STEP 1:

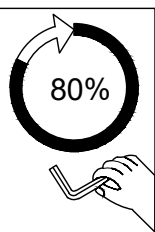


<b>A</b>	
M6*45mm	
4PCS	
<b>C</b>	
M6*12mm	
2PCS	
<b>L</b>	
M6	
2PCS	
<b>M</b>	
M6*20mm	
2PCS	
<b>N</b>	
M6	
2PCS	

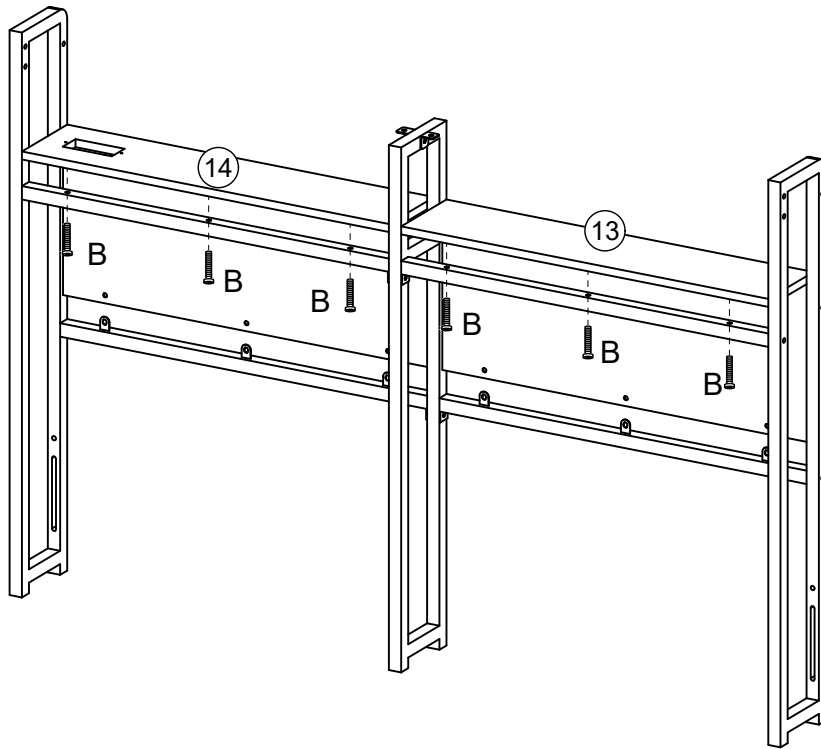
# STEP 2:



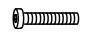
<b>I</b>	
6PCS	
<b>J</b>	
6PCS	



### STEP 3:

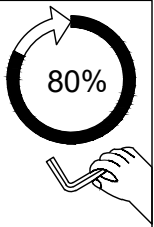


B

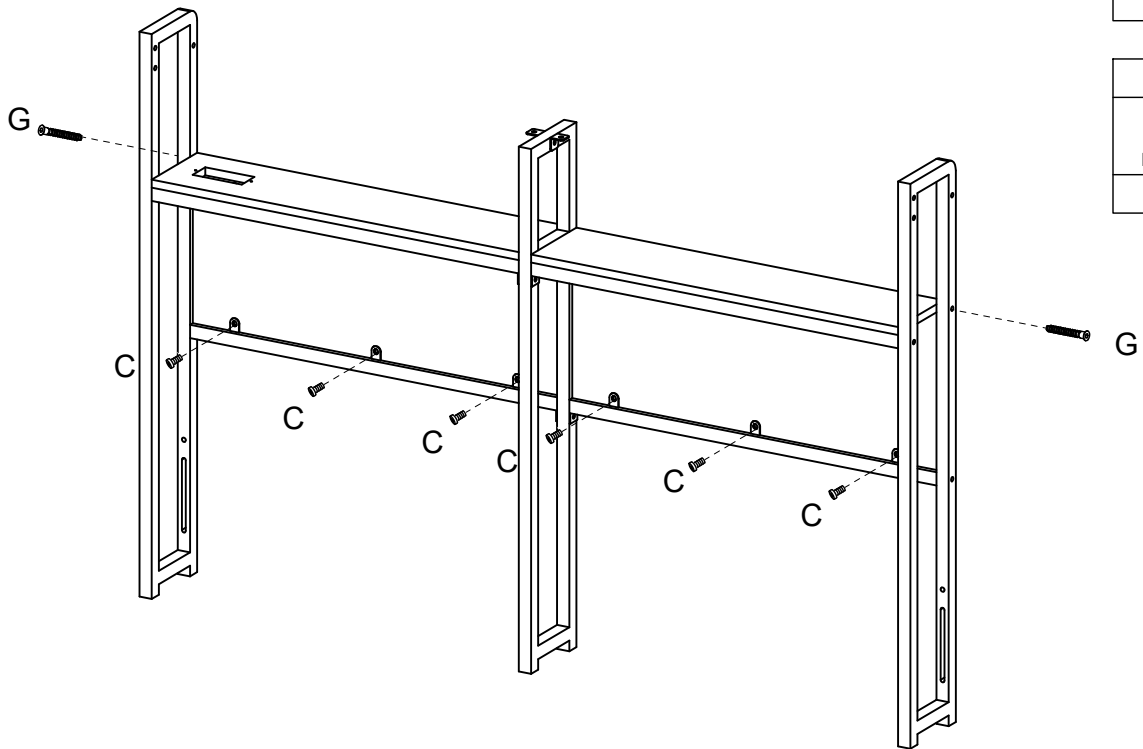


m6\*35mm

6PCS



### STEP 4:



C



M6\*12mm

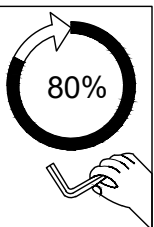
6PCS

G

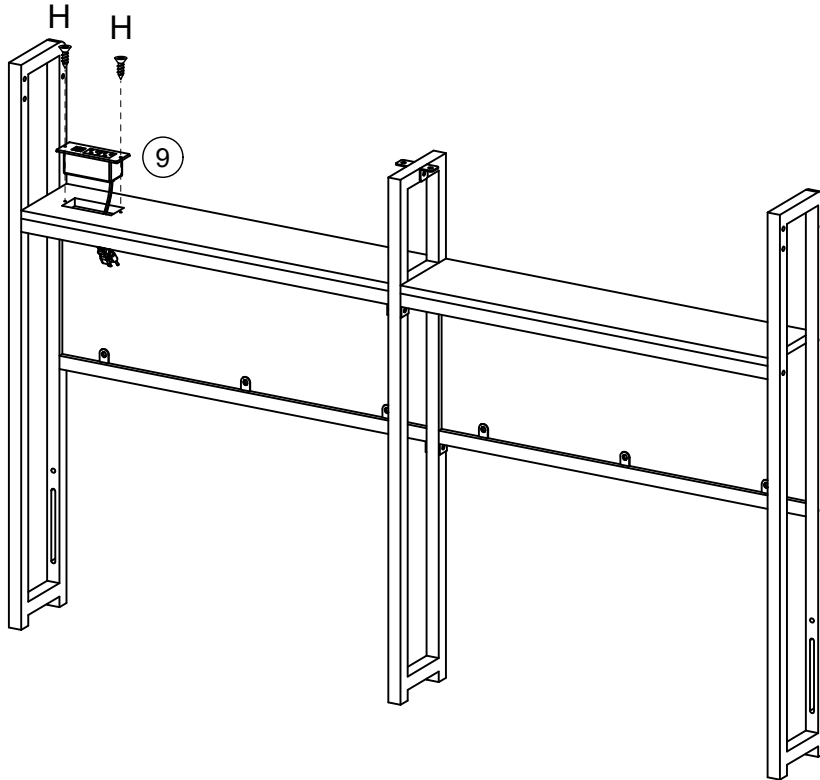



M7\*48mm

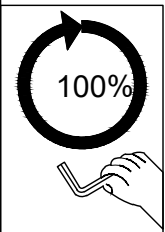
2PCS



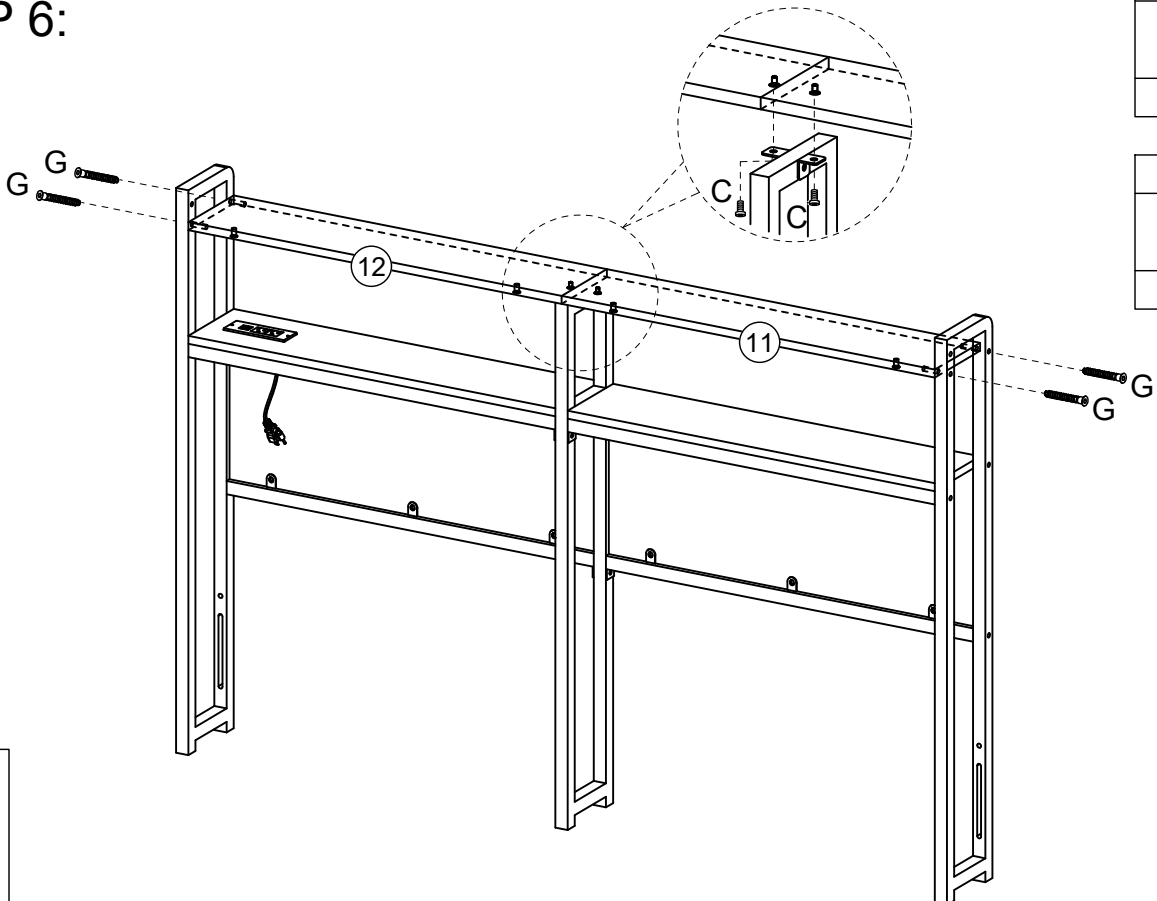
# STEP 5:

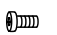



<b>H</b>

M3.5*14
2PCS

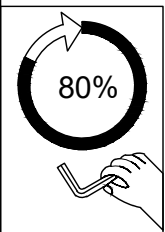


# STEP 6:

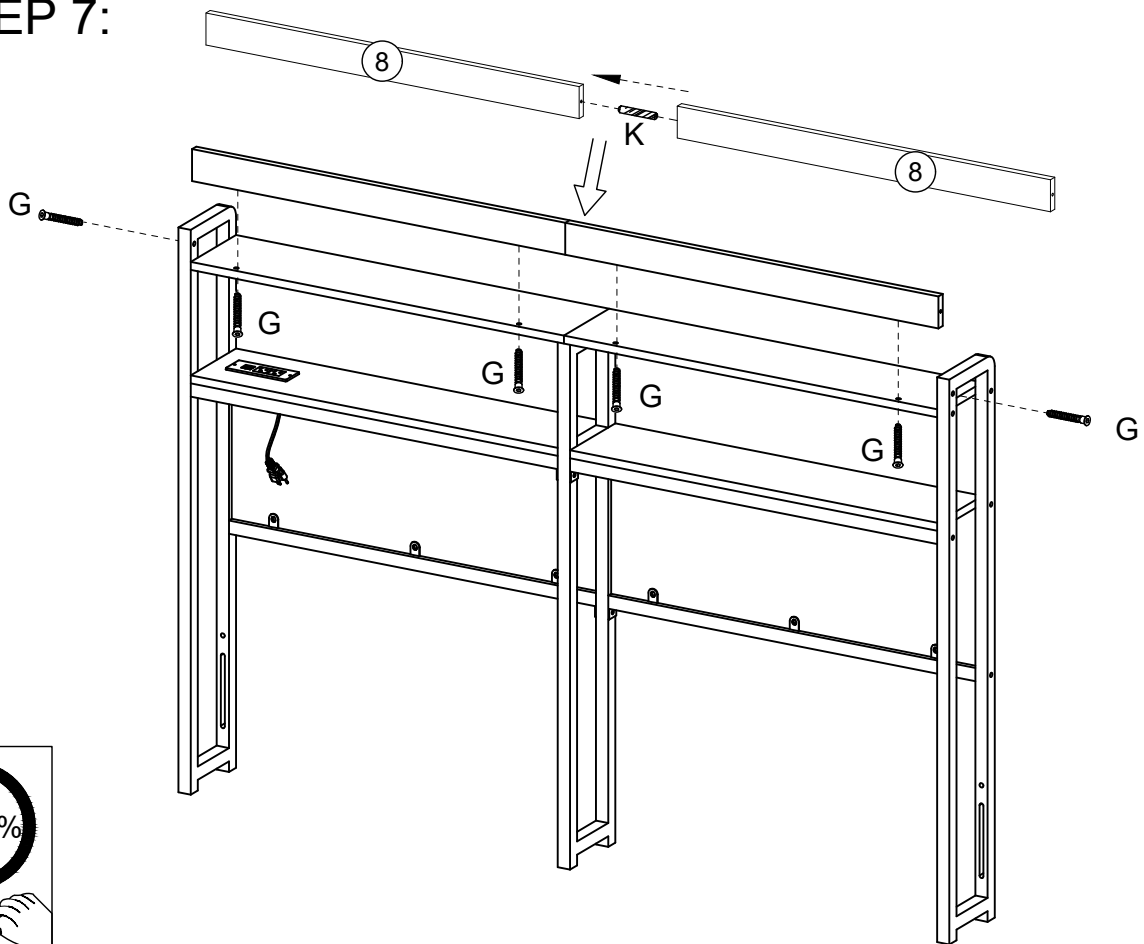


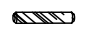
<b>C</b>

M6*12mm
2PCS

<b>G</b>

M7*48mm
4PCS




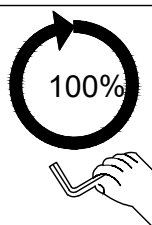
# STEP 7:



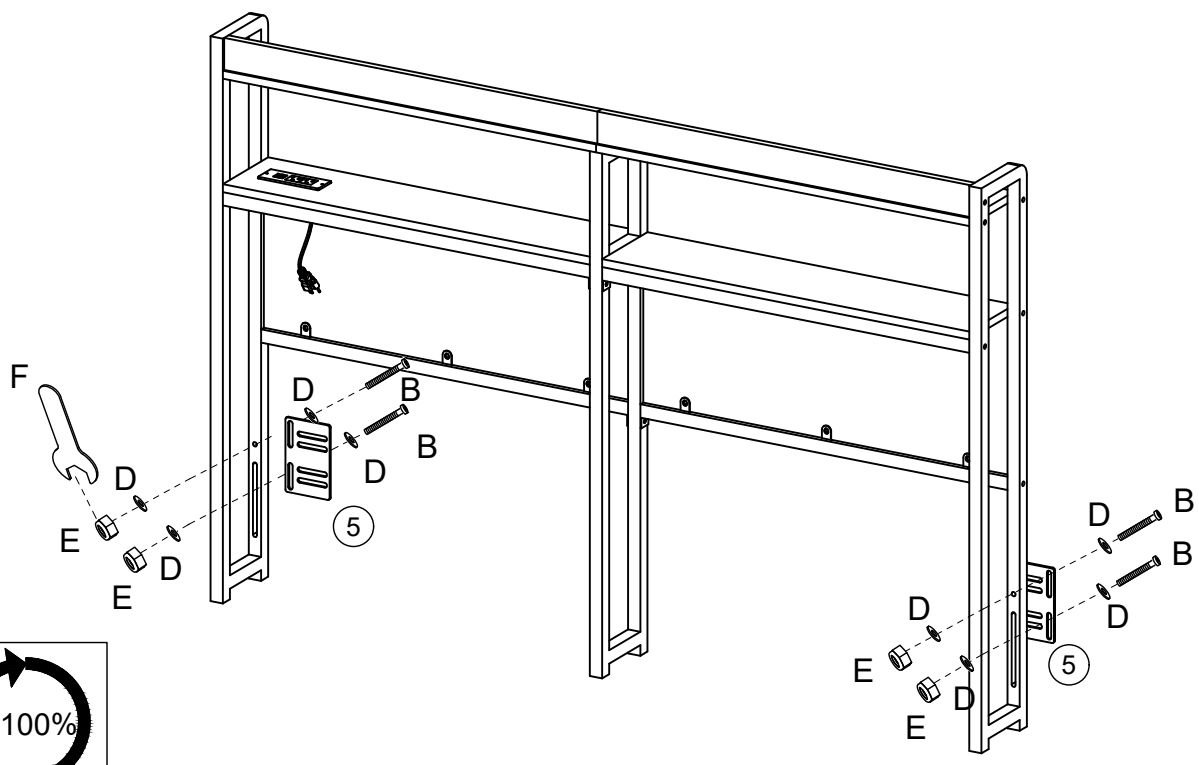
<b>K</b>

Ø8*30mm
1PC

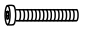
  

<b>G</b>

M7*48mm
6PCS




# STEP 8




<b>B</b>

M6*35mm
4PCS


  

<b>D</b>

8PCS

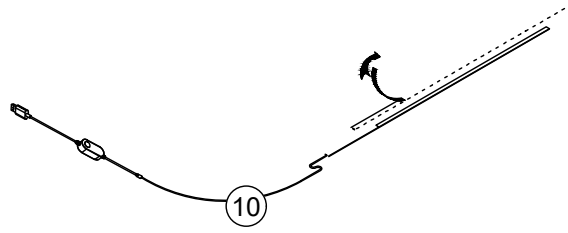
<b>E</b>

M6
4PCS

<b>F</b>

M6
1PC



## STEP 9:



Tear off the protective film of LED strips,  
then stick them underneath the side rails.

