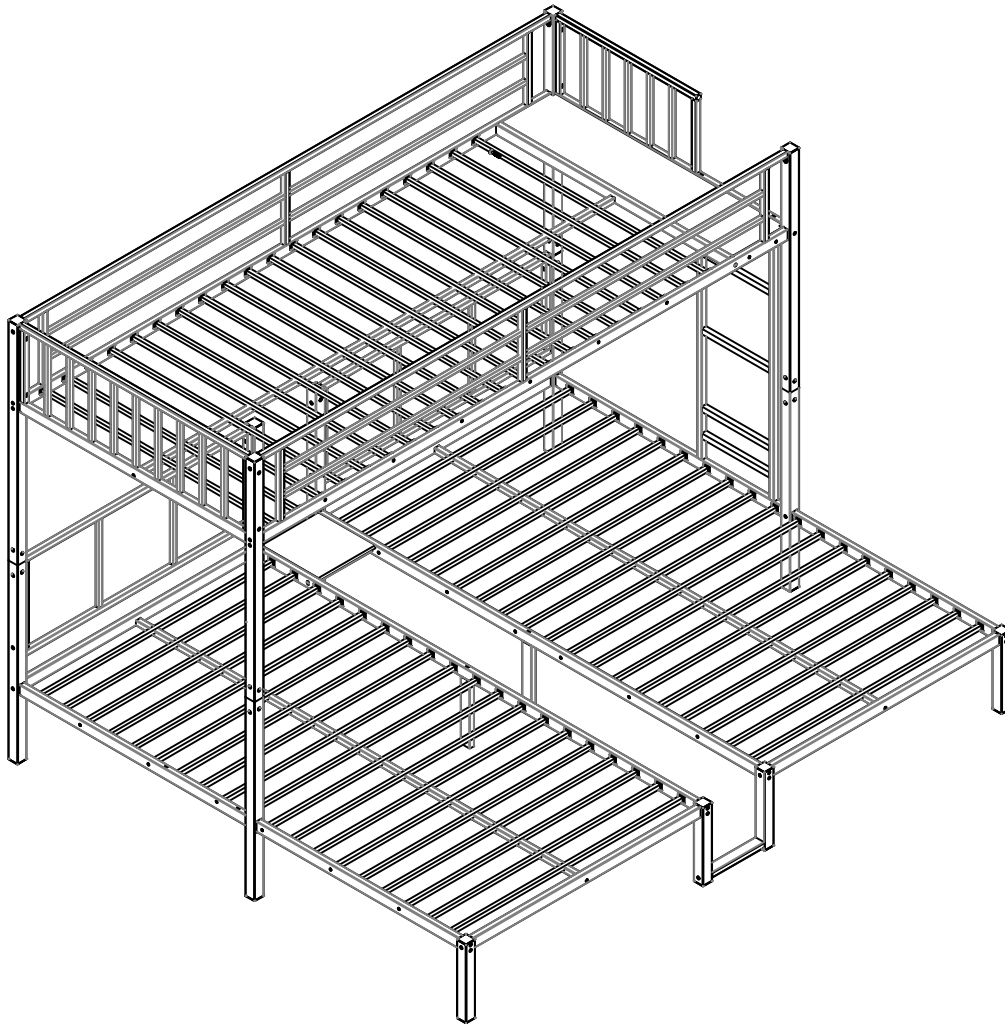


LOFT BED ASSEMBLY INSTRUCTIONS



SAFETY WARNINGS AND GENERAL NOTES:

1. Follow the information on the warnings on the bunk bed end structure and on the carton. Do not remove the warning label from the bed.
2. Always use the recommended size mattress on mattress support, or both, to help prevent the likelihood of entrapment or falls.
3. Do not allow children under 6 years of age to use the upper bunk.
4. Periodically check and ensure the guardrail, ladder and other components are in their proper position, free from damage, and all connectors are tight.
5. Do not allow horseplay on or under beds.
6. Always prohibit jumping on the bed.
7. Prohibit more than one person on upper bunk.
8. Always use the ladder for entering and leaving the upper bunk.
9. Do not use substitute parts. Contact the manufacturer or dealer for replacement parts.
10. Use of a night-tight may provide added safety precaution for a child using the upper bunk.
11. Always use guardrails on both long sides of the upper bunk.
12. If the bunk bed will be placed next to a wall, the guardrail that runs the full length of the bed should be placed against the wall to prevent entrapment between the bed and the wall.

The use of water or sleep flotation mattresses is prohibited.

13. **STRANGULATION HAZARD**-Never attach or hang items to any part of the bunk bed that are not designed for use with the bed; for example, but not limited to, hooks, belts and jump ropes.

14. Keep these instructions for future reference.

15. We recommend assembling your bunk bed on the shipping carton to protect your floor or carpet.

16. Be certain all staples are out of the box before beginning assembly on the shipping carton.

17. USE ONLY MATTRESSES WHICH ARE AS THE TABLE BELOW ON UPPER AND ON LOWER BUNKS.

Down bed

Mattress type	Length	Width	Thickness
Twin Standard	74"-75"	38-39"	8"

Up bed (bunk bed and tribed included)

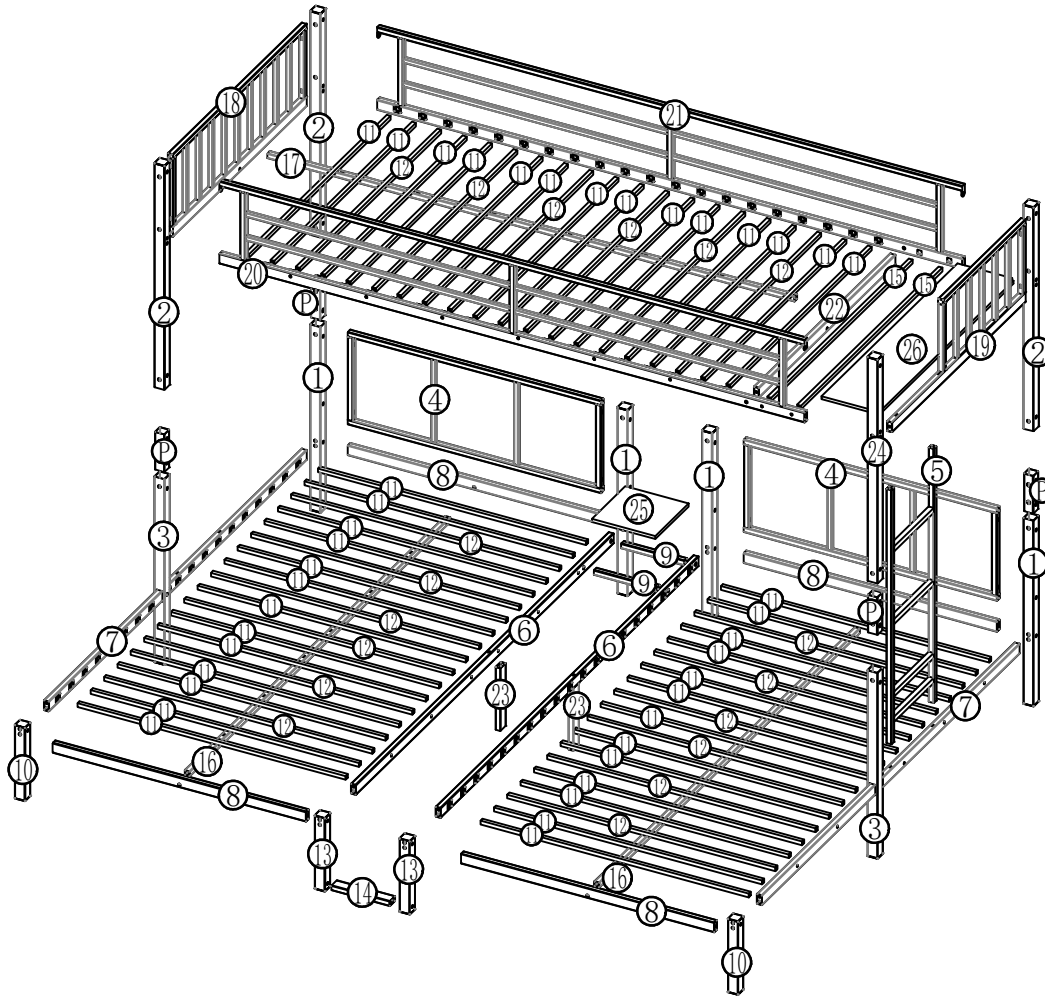
Mattress type	Length	Width	Thickness
Twin XL Standard	79"-80"	38-39"	6"Max

18. SURFACE OF MATTRESS MUST BE AT LEAST 5"(127MM) BELOW THE UPPER EDGE OF GUARDRAILS.

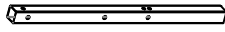
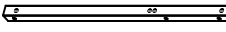
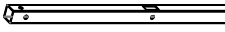






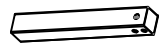


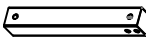
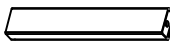



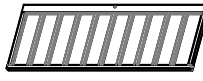
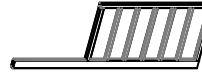




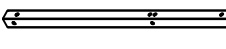

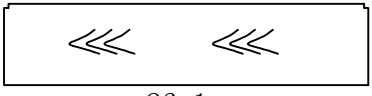
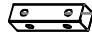
19. Replacement Parts:

Replacement Parts, including additional guardrails, may be obtained from any of our dealers.








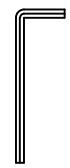
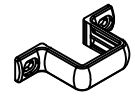
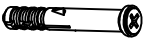

Bed parts view



Part List

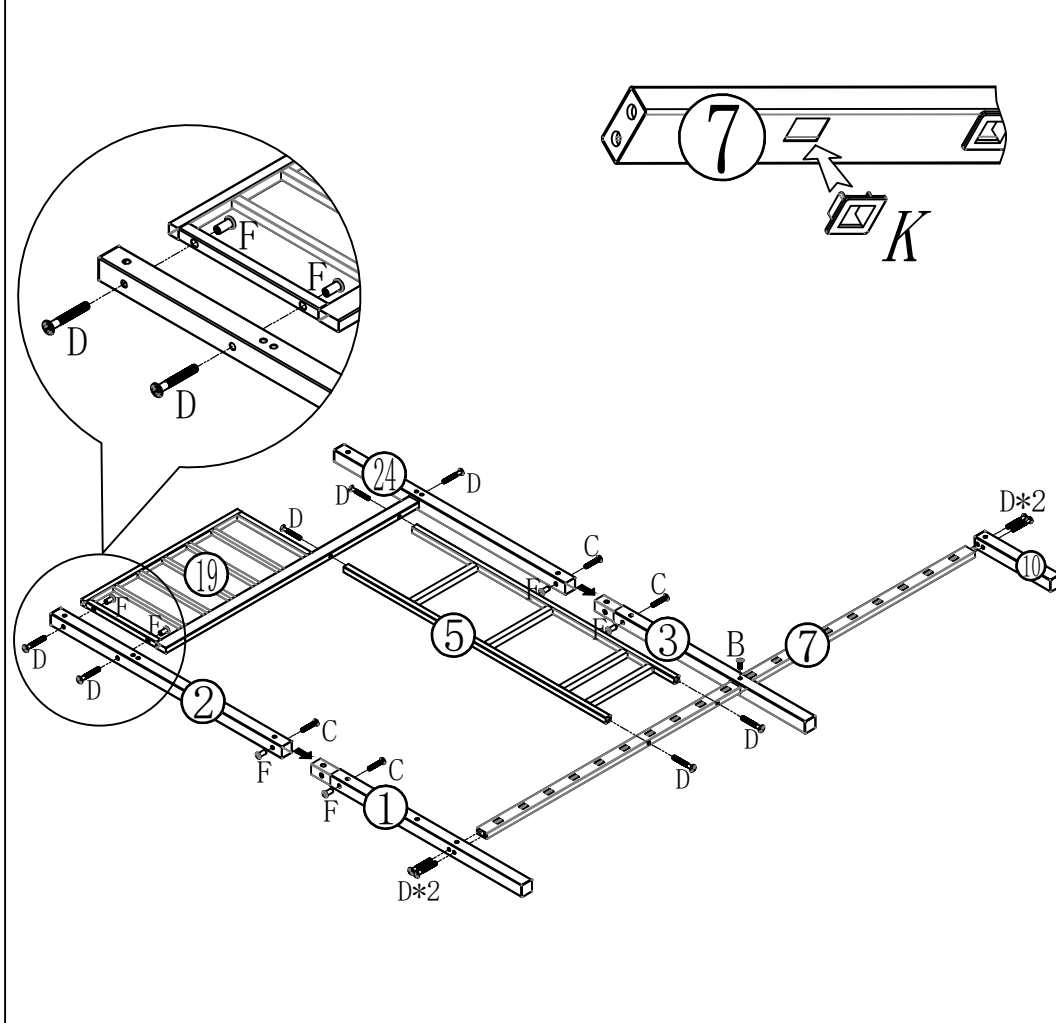
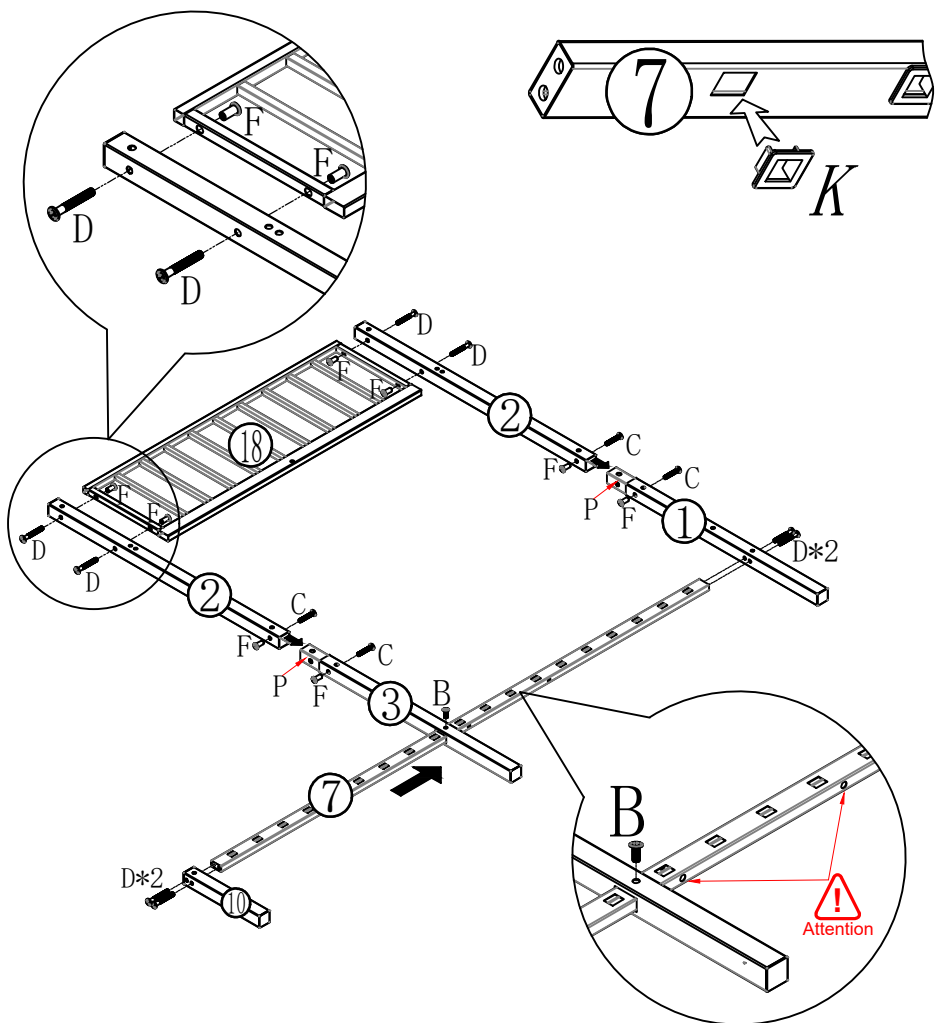
			
1-4pcs	2-3pcs	3-2pcs	4-2pcs
			
5-1pcs	6-2pcs	7-2pcs	8-4pcs
			
9-2pcs	10-2pcs	11-40pcs	12-18pcs
			
13-2pcs	14-1pcs	15-2pcs	16-2pcs
			
17-1pcs	18-1pcs	19-1pcs	20-1pcs
			
21-1pcs	22-1pcs	23-2pcs	24-1pcs
			
25-1pcs	26-1pcs		P-4pcs

Hardware List

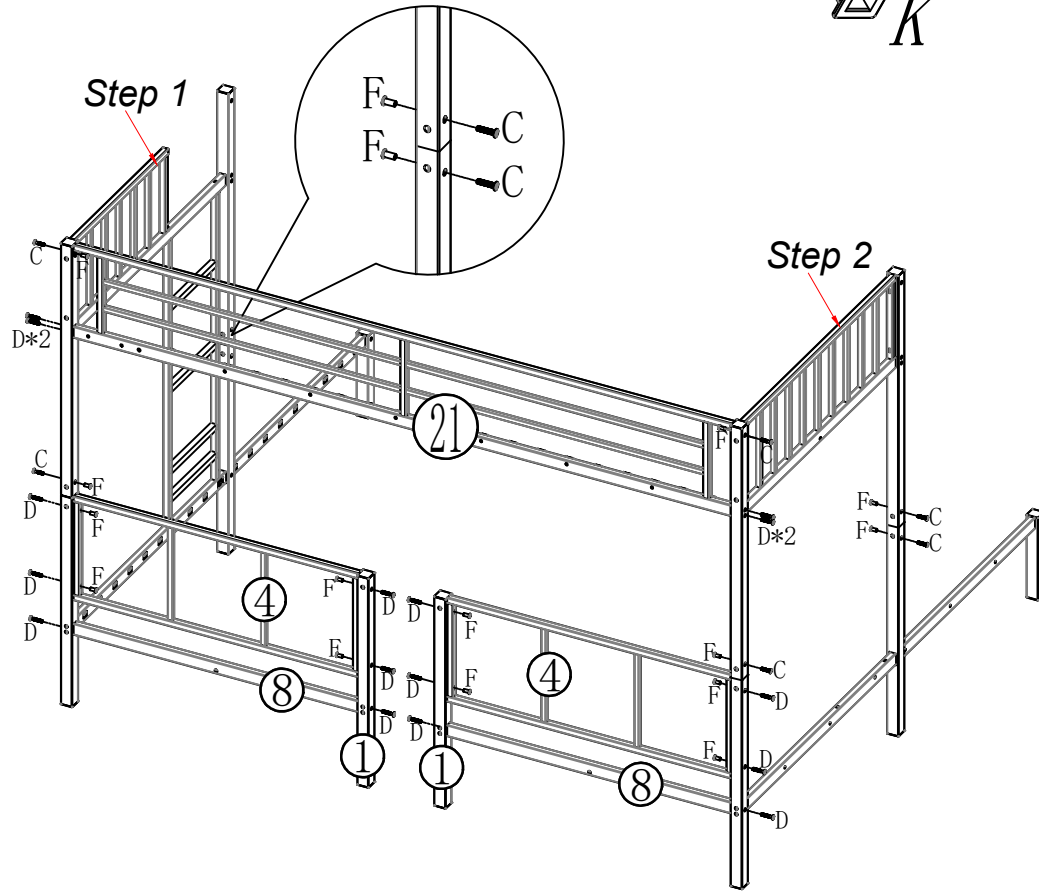
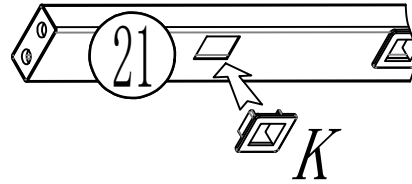
							
B 8*15 2PCS	C 8*35 31PCS	D 8*55 55PCS	E 6*25 58PCS	F 8*15 32PCS	K 116PCS	O 1PCS	
					L		
U-2PCS	T-4PCS		Z-4pcs				

Step 1: Use hardware L,B,C,D,F,P to connect #1,#2,#3,#7,
#10 and #18 together. Then Install part #K to parts #7.

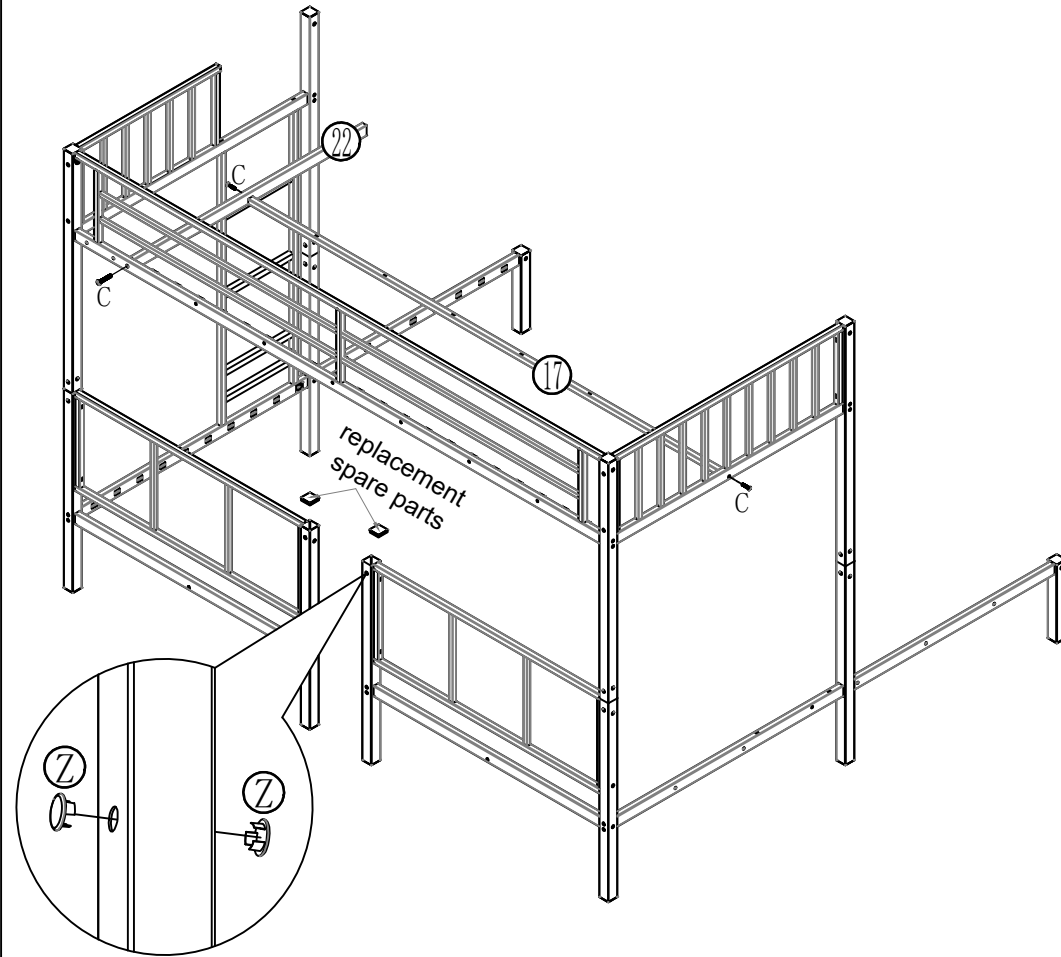
Step 2: Use hardware L,B,C,D,F,P,K to connect #1,#2,#3,
#5,#7, #10, #19 and #24 together. Then Install part #K to
parts #7.



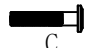


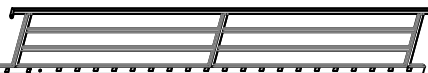

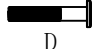




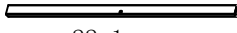




Step 3: Use hardware L,C,D,F,K to connect #1,#4,#8 and #21 to the previously installed components. Then Install part #K to parts #21.



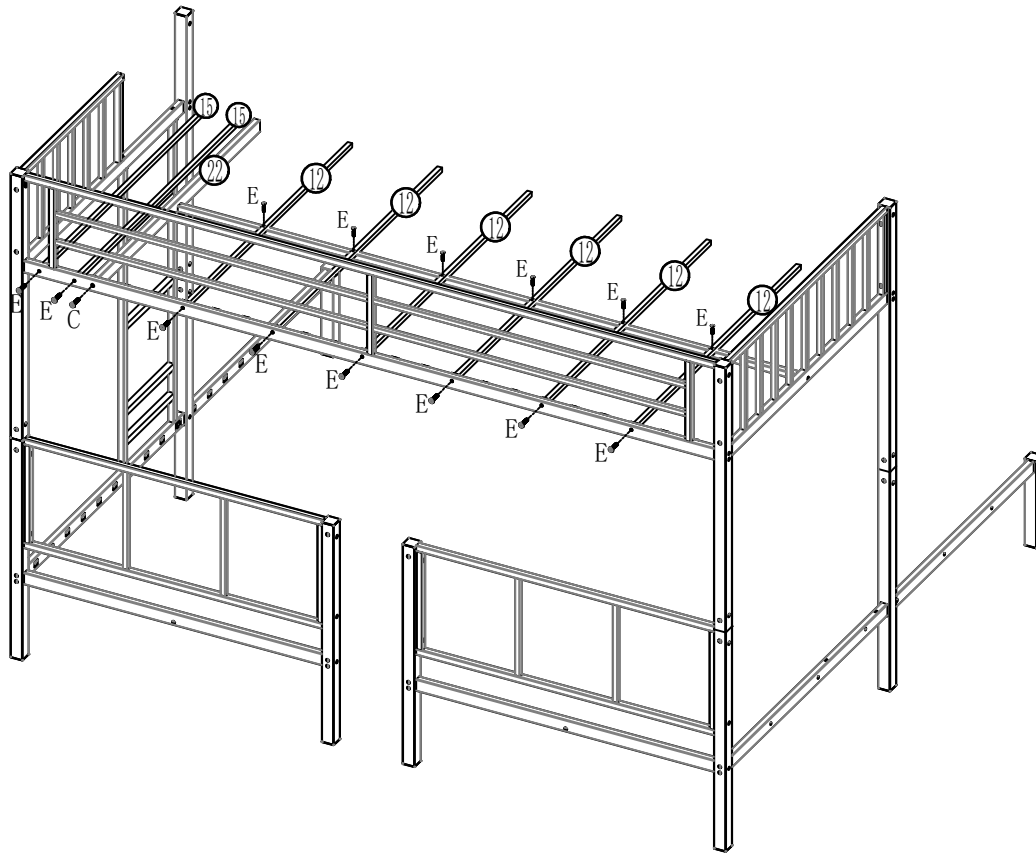
Step 4: Use hardware L,C to connect #17 and #22 to the previously installed components.



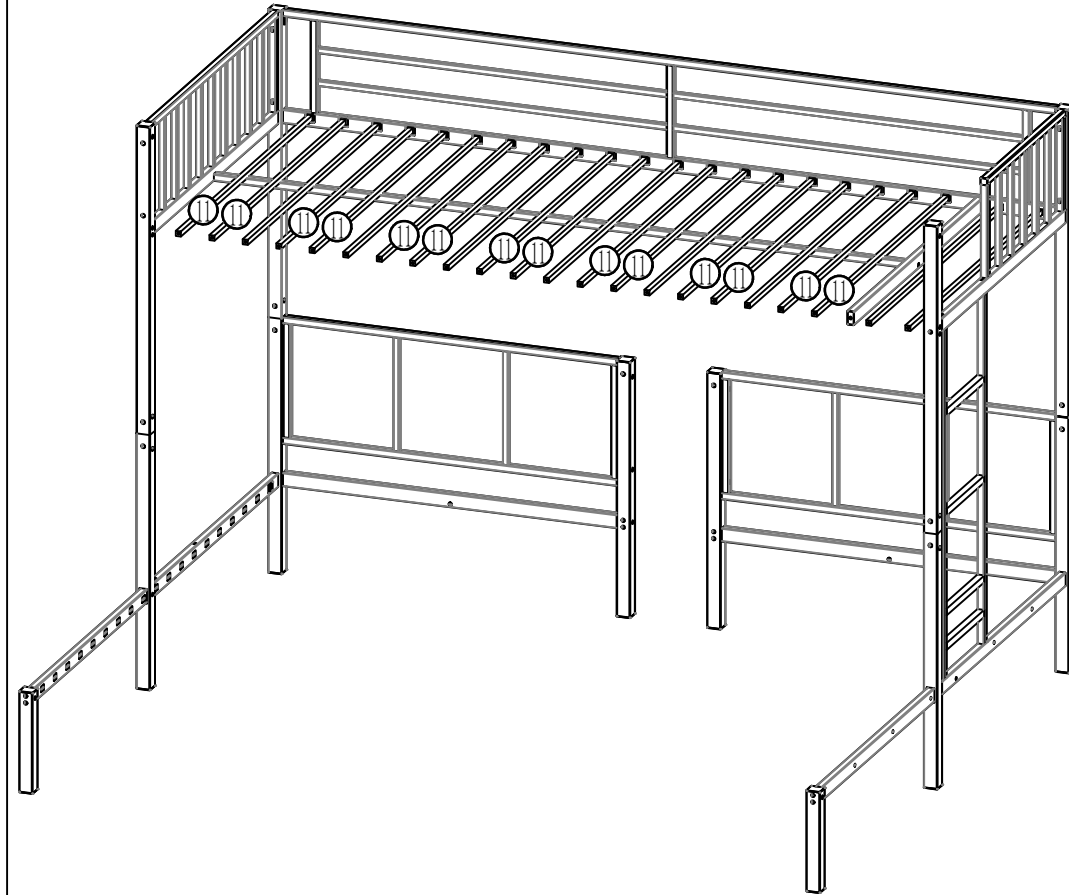
 1-2pcs	 4-2pcs	 8*35-8PCS	 8*15-16PCS	
 21-1pcs	 8-2pcs	 8*55-16PCS	 K-20PCS	

 17-1pcs	 22-1pcs	 8*35-3PCS	 Z-4pcs	
 40*40 replacement spare parts				

Step 5: Use hardware L,E to connect #17 and #22 to the previously installed components.



Step 6: Connect #11 to the previously installed components.



12-6pcs



15-2pcs



22-1pcs



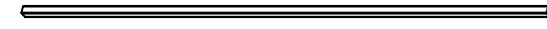
C
8*35-1PCS



E
6*25-14PCS

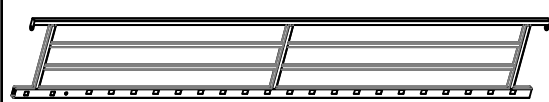
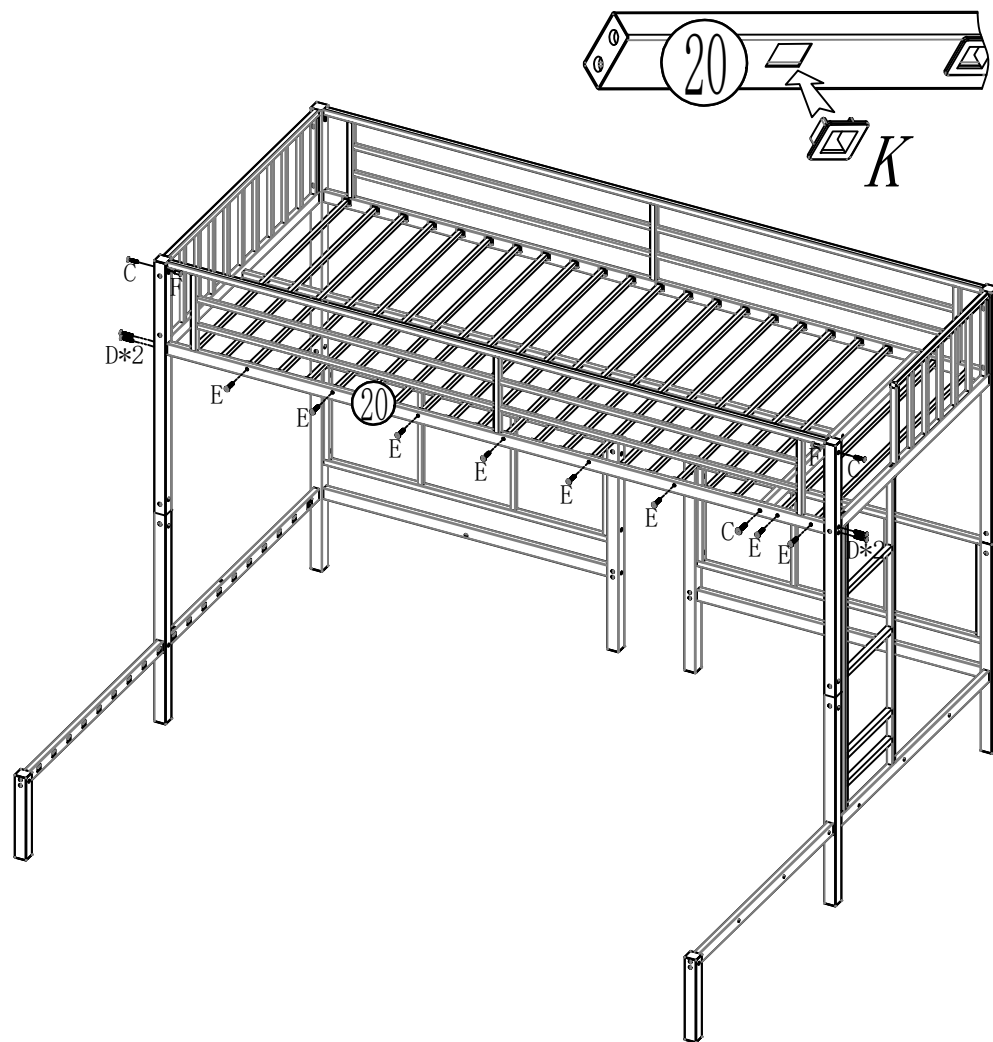


L

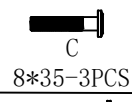


11-14pcs

Step 7: Install part #K to parts #20, Then Use hardware L,C,D,F,E to connect #20 to the previously installed components.



20-1pcs



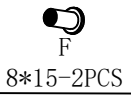
C

8*35-3PCS



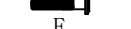
D

8*55-4PCS



F

8*15-2PCS



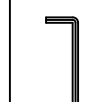
E

6*25-8PCS



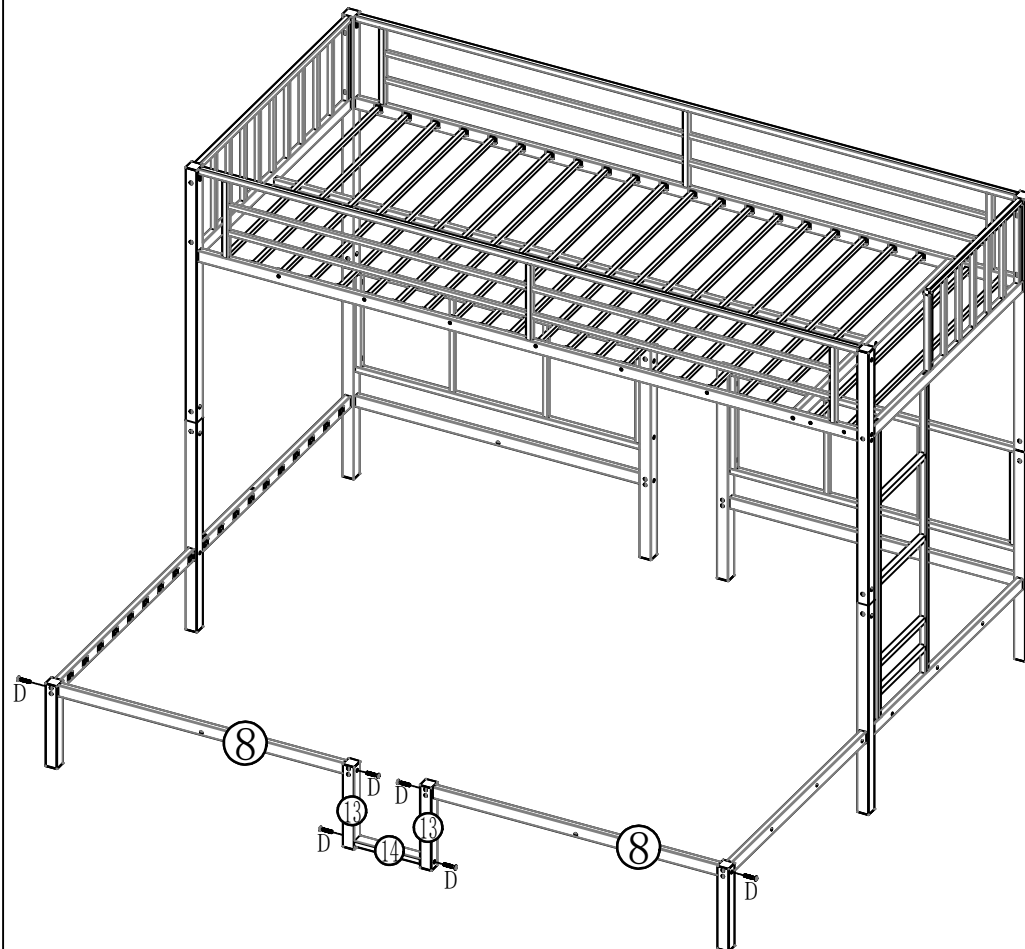
K

20PCS

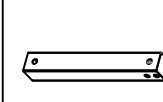


L

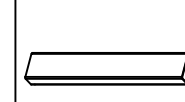
Step 8: Use hardware L,D to connect #8,#13 and #14 to the previously installed components.



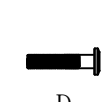
8-2pcs



13-2pcs

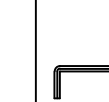


14-1pcs



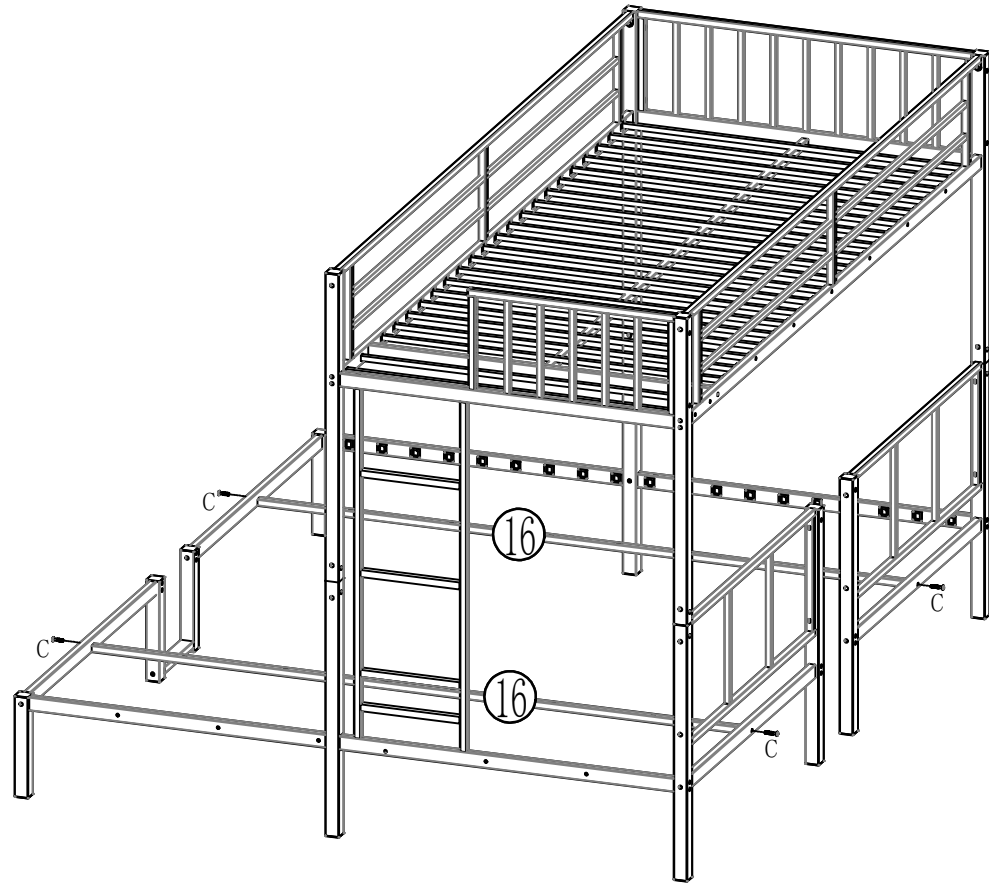
D

8*55-6PCS



L

Step 9: Use hardware L,C to connect #16 to the previously installed components.



16-2pcs

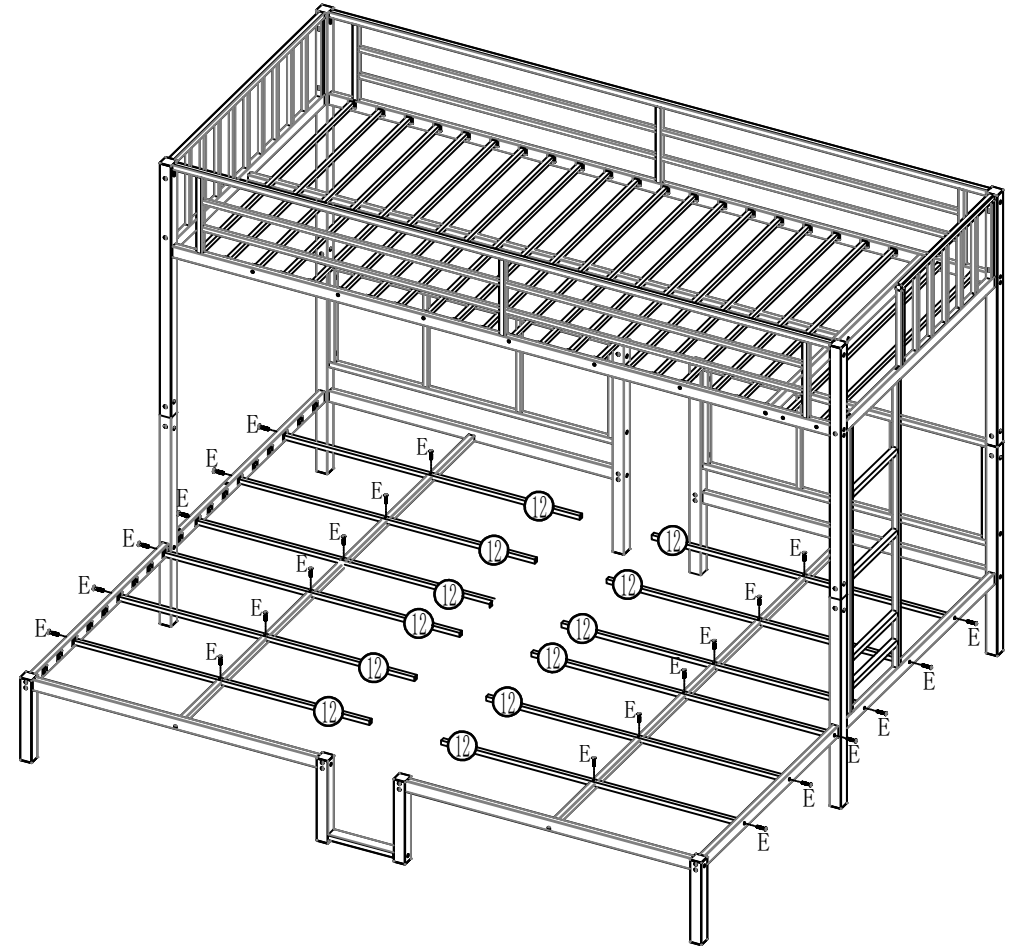


C
8*35-4PCS



L

Step 10: Use hardware L,E to connect #12 to the previously installed components.



12-6pcs

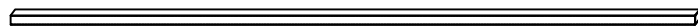
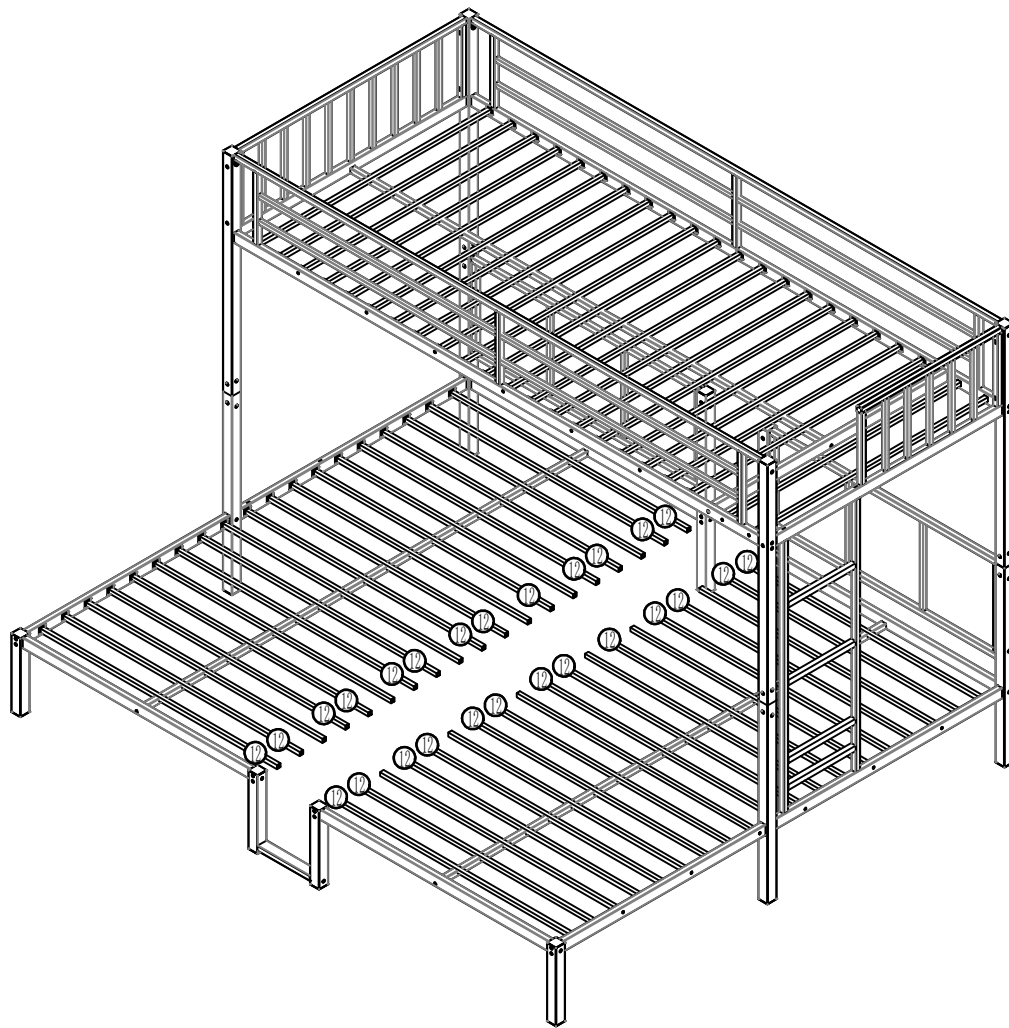


E
6*25-24PCS



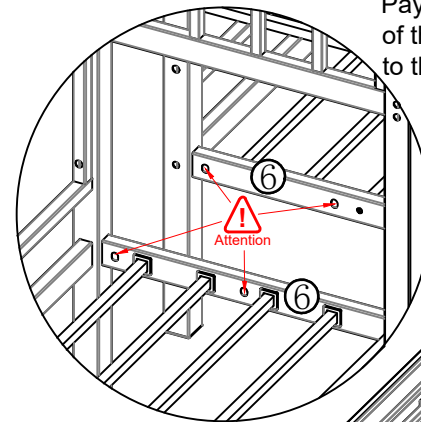
L

Step 11: Connect #9 to the previously installed components.

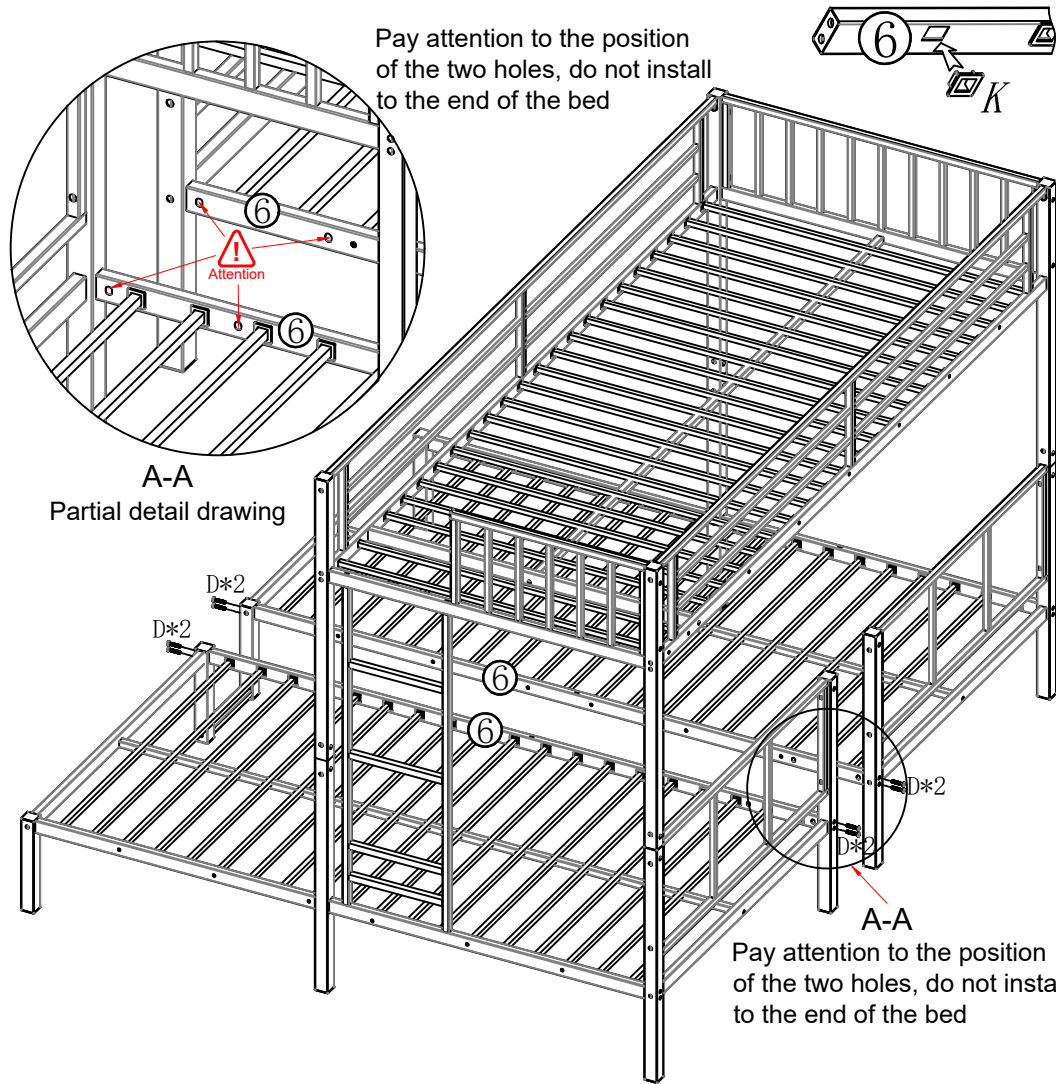


12-26pcs

Step 12: Install part #K to parts #6, Then Use hardware L,D to connect #6 to the previously installed components.



A-A
Partial detail drawing



6-2pcs



D
8*55-8PCS

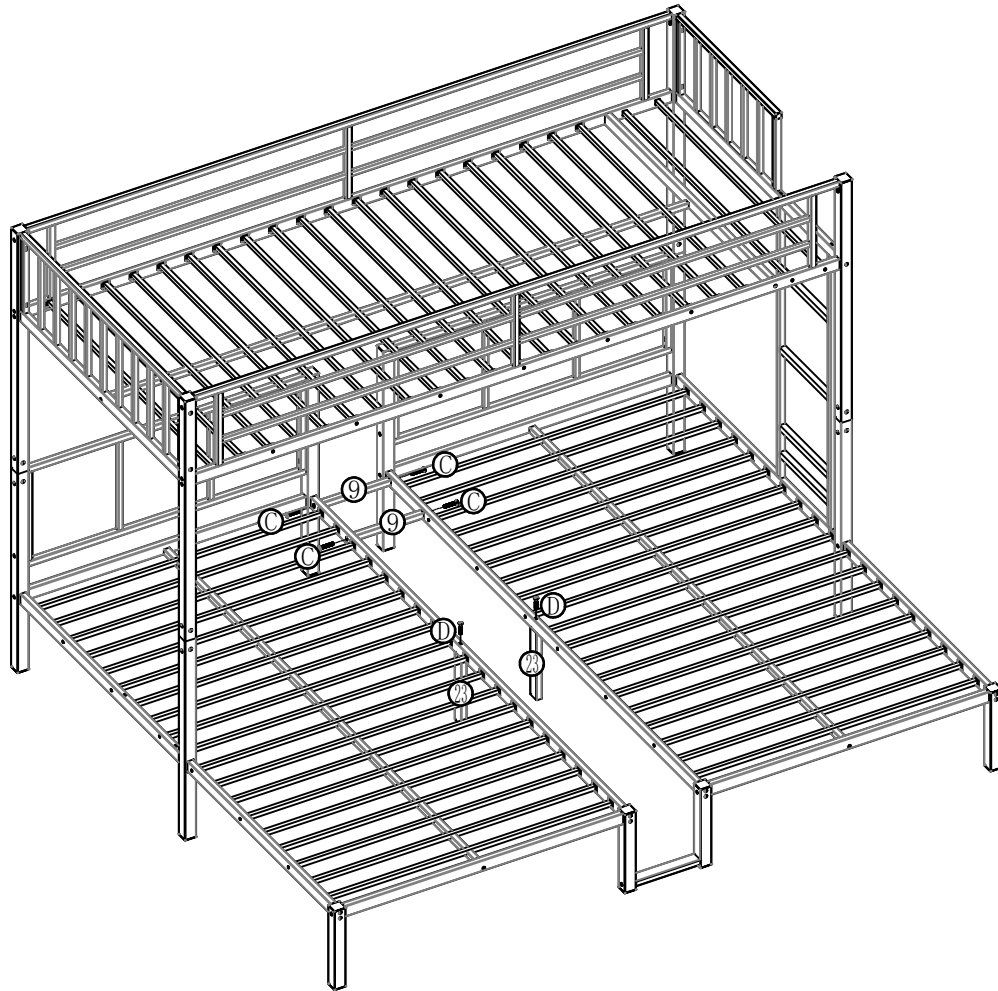


K-38PCS

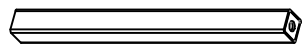
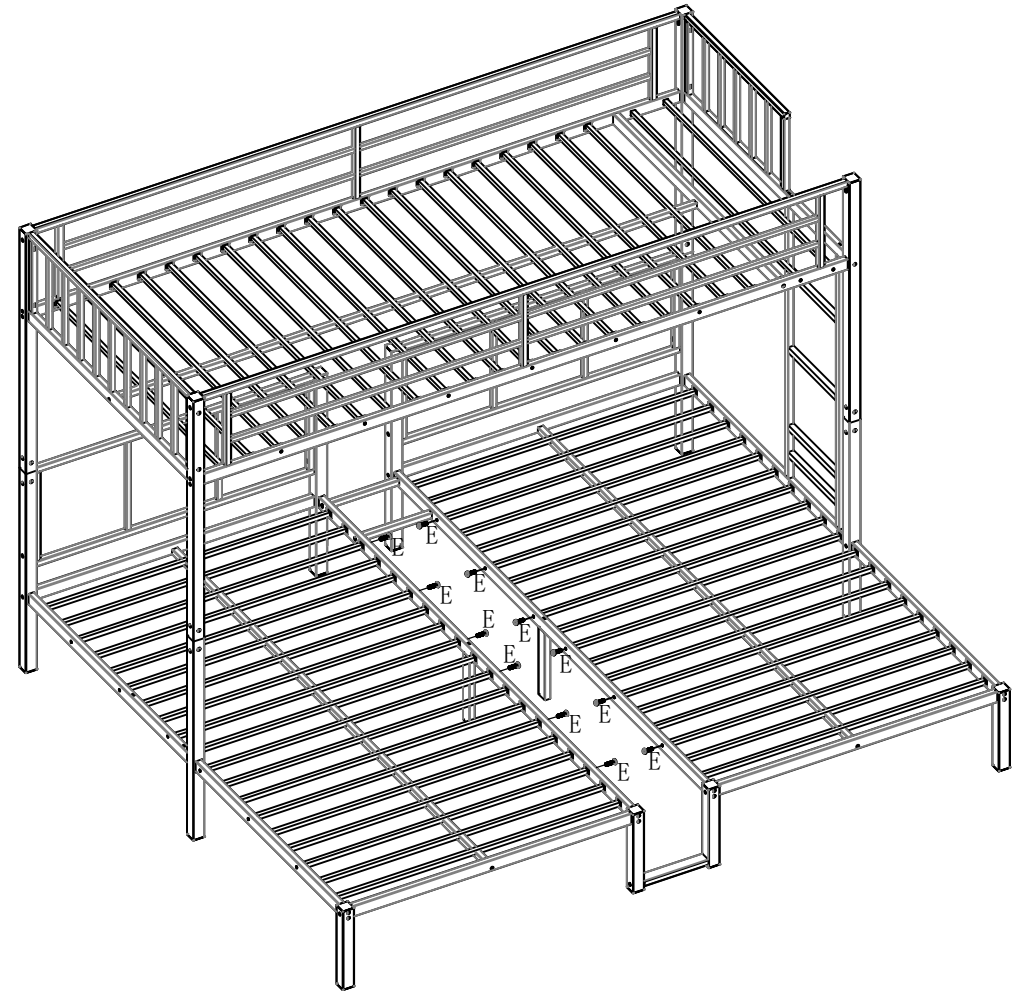


L

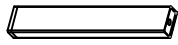
Step 13: Use hardware L,C,D to connect #9 and #23 to the previously installed components.



Step 14: Use hardware L,E to connect #6 and #12 to the previously installed components.



9-2pcs



23-2pcs



C

8*35-4PCS



D

8*55-2PCS



L



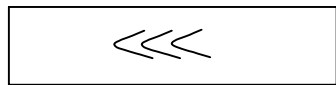
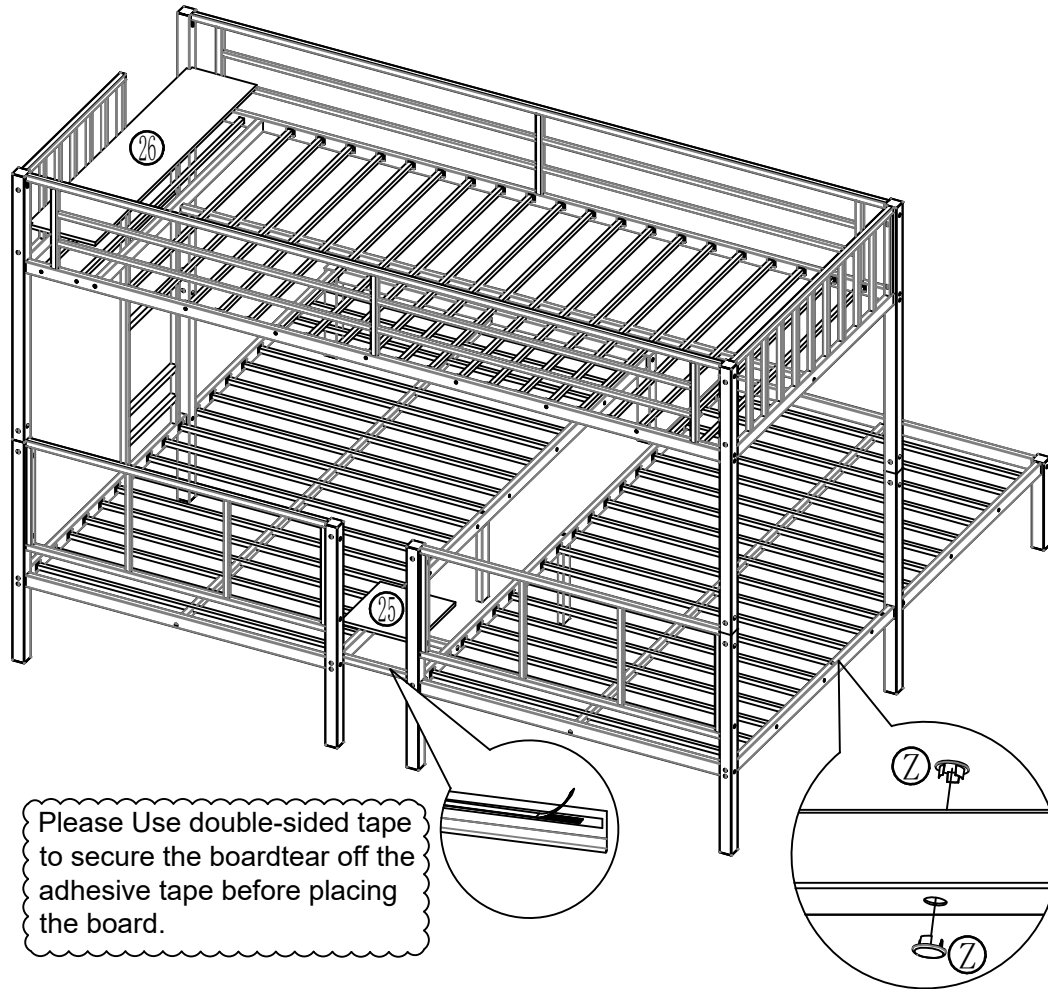
E

6*25-12PCS



L

Step 15: Use hardware O to connect plank to the previously installed components and Use #Z to plug excess holes in #7.



23-1pcs



24-4pcs

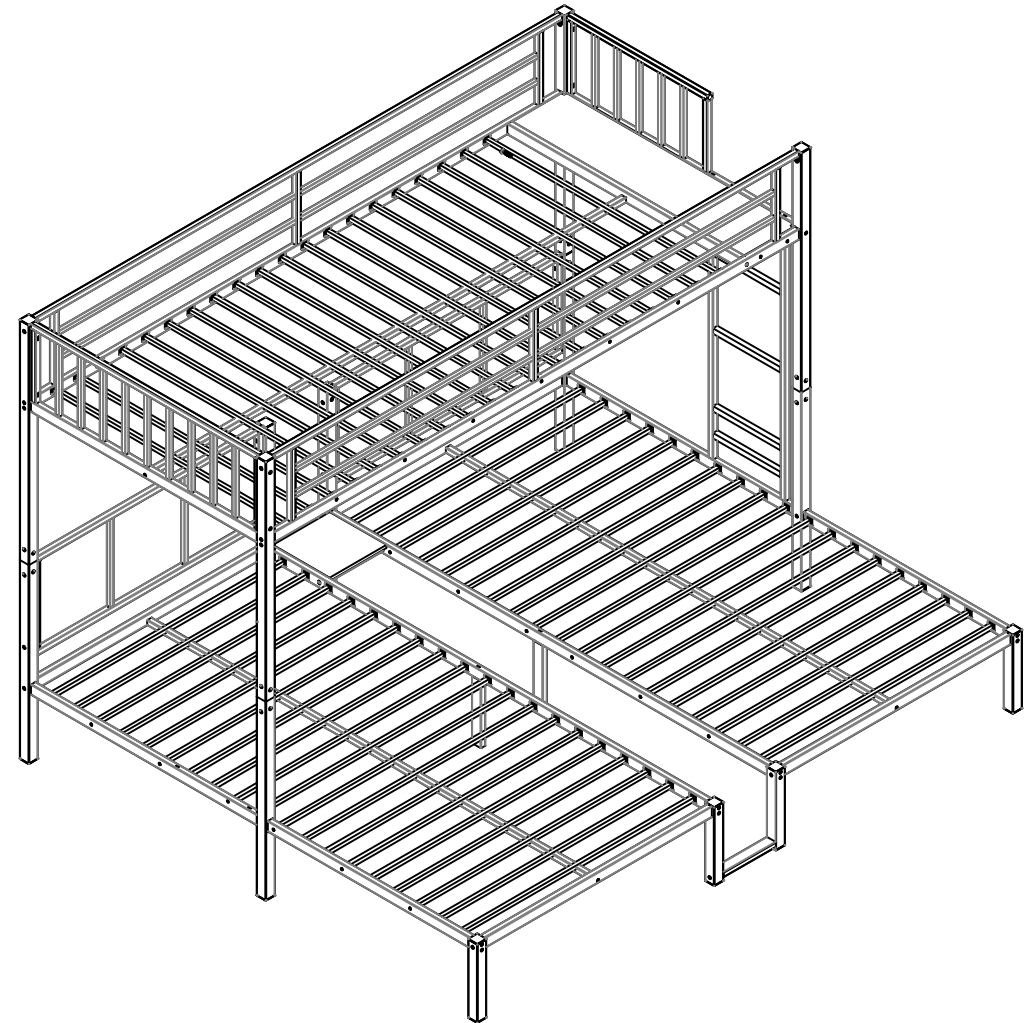


Z-4pcs

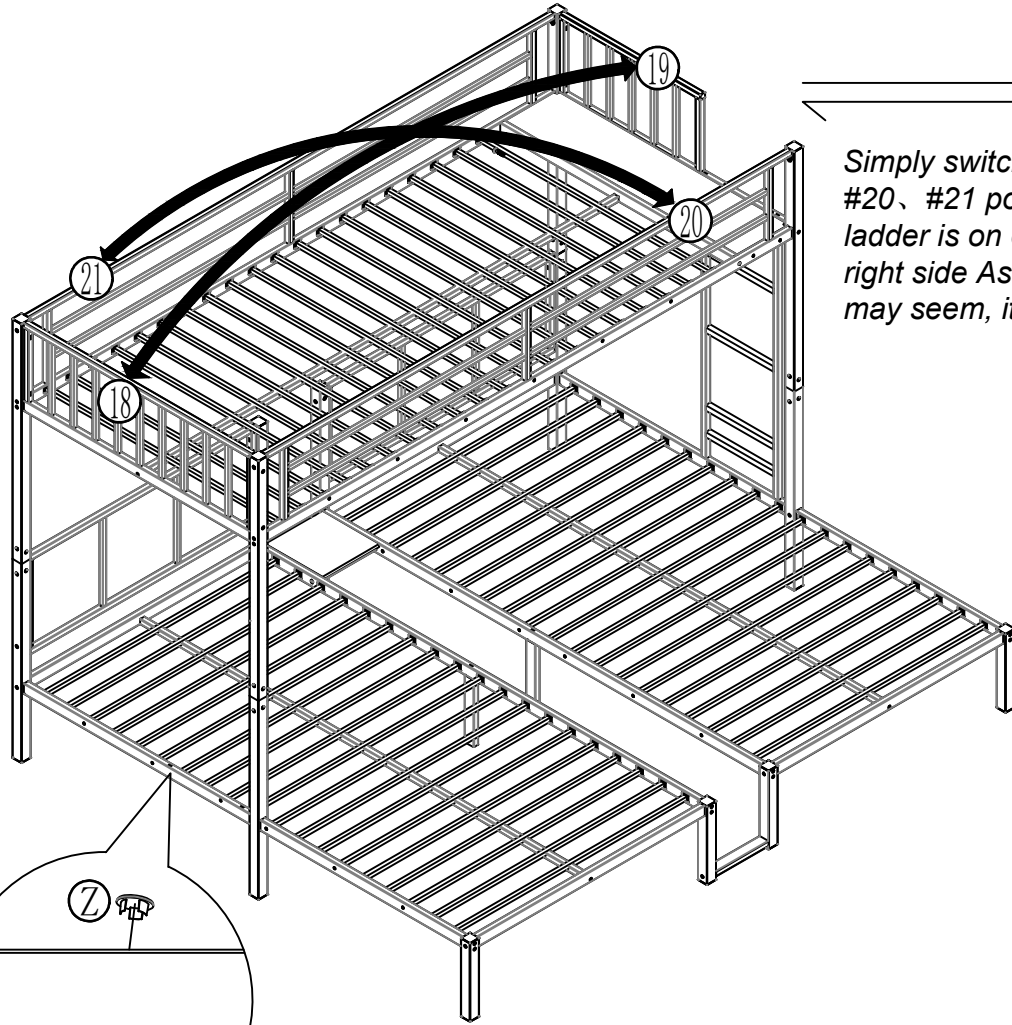
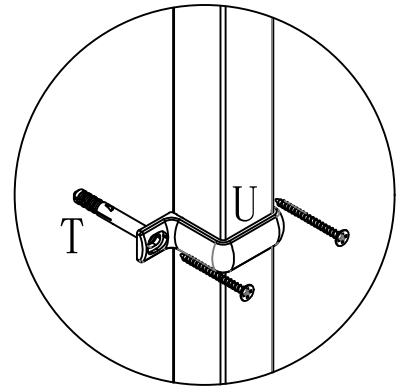


O

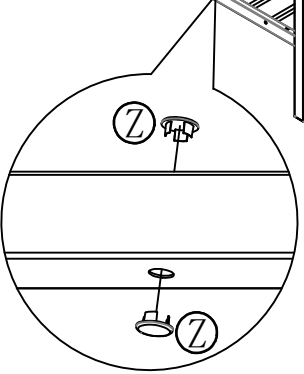
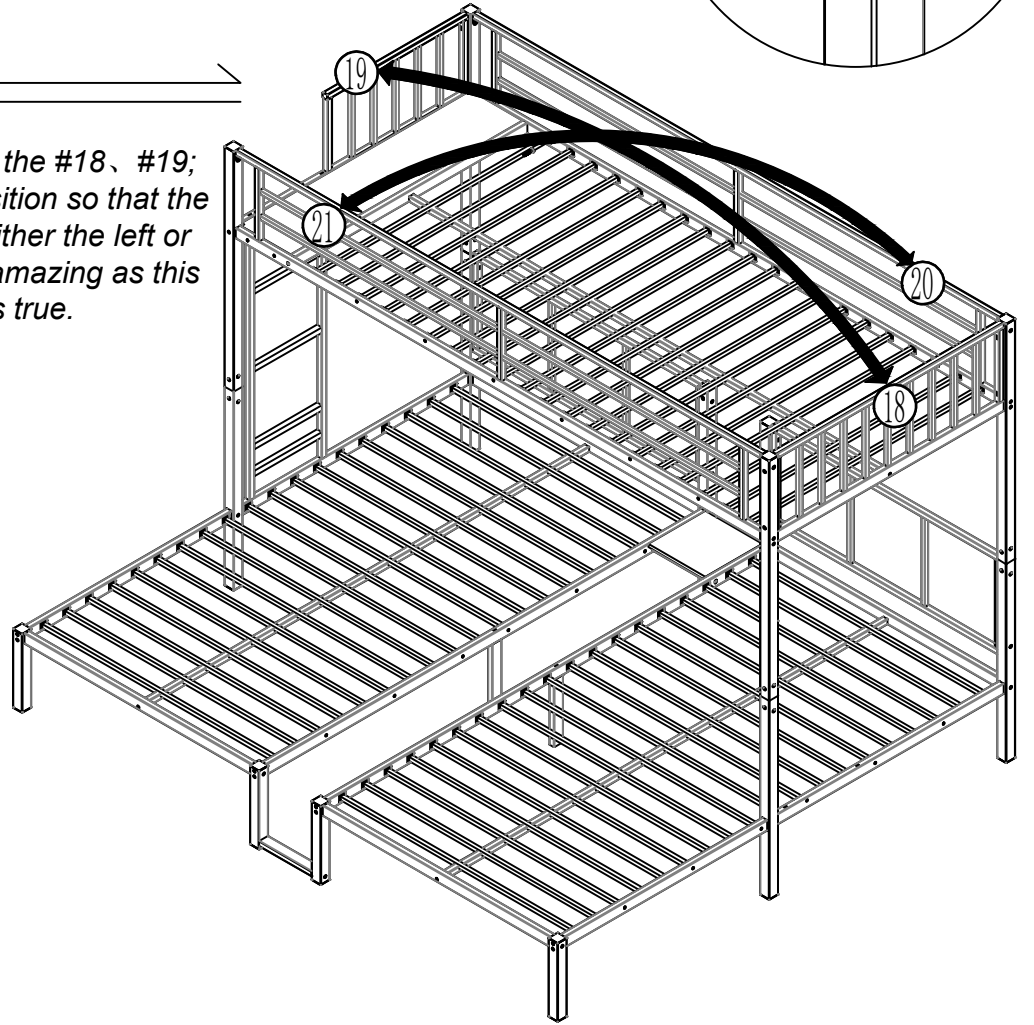
Completed loft bed



*Tips:
If you feel that the bed is a little wobbly then please use the parts "U" and "T" for reinforcement*



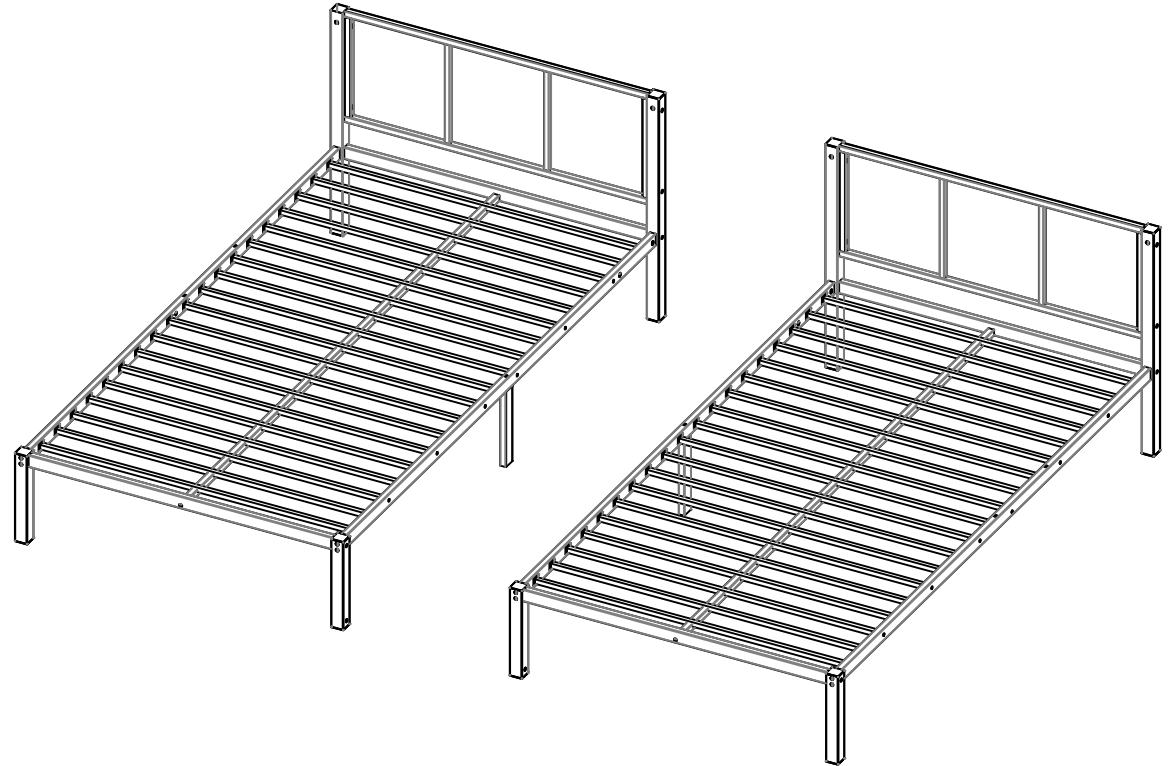
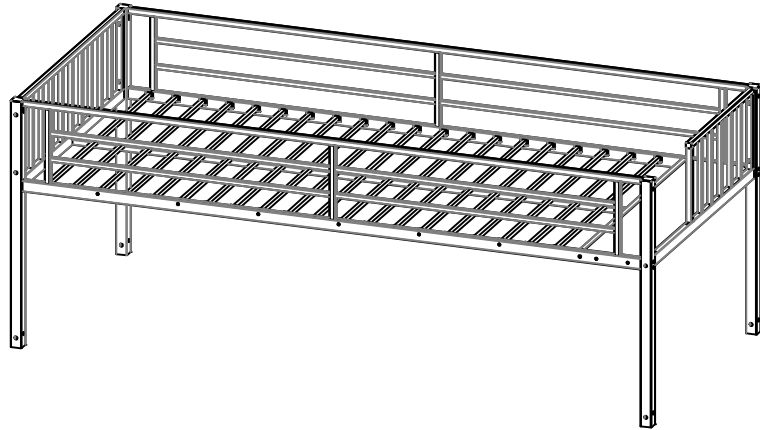
Simply switch the #18, #19; #20, #21 position so that the ladder is on either the left or right side As amazing as this may seem, it's true.



The ladder is on the right.

The ladder is on the left.

It can also be turned into three completely separate beds



Please make sure all bolts are fastened before use, thank you.