



FEATURES

- Decorative ADA compliant 1" diameter grab bars enhance the look of the shower while providing peace of mind and independent living.
- Silicone grip provides a comfortable non slip grip, textured to ensure your hand doesn't slip off when it gets wet.
- Concealed mounting.
- Includes two flange covers.
- Heavy duty 304 stainless steel.
- Mounting hardware and mounting template included.

FINISH

- 3 finishes: polished chrome, brushed stainless, powder coat black
- 3 silicone colors: white, grey, black

WARRANTY

- Lifetime Limited Residential / 5 Year Commercial

INSTALLATION REQUIREMENT

- Wood blocking is preferable behind all wall surfaces. Use framing studs for mounting when available. If wood blocking is not available, the following fasteners are suggested: Tile/Masonry-Plastic or lead Anchors Plaster/drywall-Toggle bolts.



To Be Specified:

	MODEL NO.	DESCRIPTION	Length		Dia.	Depth
			A	B		
<input type="checkbox"/>	MS_12-	12" Grab Bar	13 ⁵⁵ / ₆₄ "	11 ¹³ / ₁₆ "	1"	3 ¹ / ₃₂ "
<input type="checkbox"/>	MS_16-	16" Grab Bar	17 ⁵¹ / ₆₄ "	15 ³ / ₄ "	1"	3 ¹ / ₃₂ "
<input type="checkbox"/>	MS_18-	18" Grab Bar	19 ⁴⁹ / ₆₄ "	17 ²³ / ₃₂ "	1"	3 ¹ / ₃₂ "

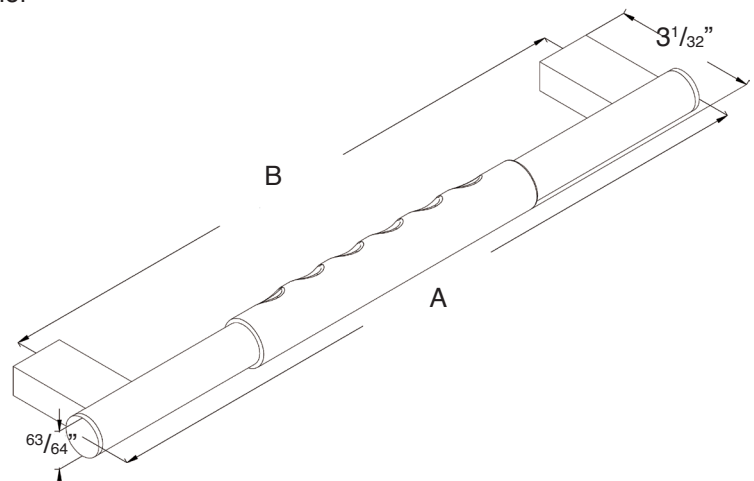
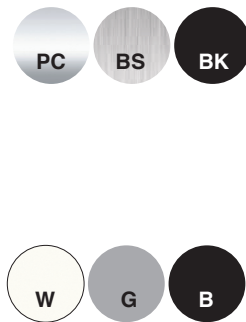
Maddox Straight White Grip 12" Brushed Stainless MSW12-BS

Series	Shape	Grip	Length	Finish
M-Maddox	Straight	W=White G=Grey B=Black	12" 16" 18"	PC BS BK

TO ORDER add silicone grip color after MS and add finish code to end of model number (see example above)

To Be Specified: Grab Bar Finish & Silicone Grip Color

GRAB BAR FINISH	
Code	Color
<input type="checkbox"/> PC	Polished Chrome
<input type="checkbox"/> BS	Brushed Stainless
<input type="checkbox"/> BK	Black
SILICONE GRIP COLOR	
Code	Color
<input type="checkbox"/> W	White
<input type="checkbox"/> G	Grey
<input type="checkbox"/> B	Black



Compliance Certifications - Meets or Exceeds the Following Specifications



Meets the Americans with Disabilities Act guidelines and ANSI A117.1 requirements for accessible and usable building facilities-check local codes when installed per accessibility guidelines of the act.



FEATURES

- Aluminum and ABS fold-up anti-bacterial shower seat.
- Surface mounted metal wall brackets and metal seat support.
- Seat holds up to 330 lbs. capacity.
- A fold-up seat offers a comfortable seating area when required, and tucks back against the wall when not in use.
- ADA complaint when installed according to ANSI A117.1 requirements.

COLORS

- 01 White
- 09 Black

WARRANTY

- Lifetime Limited Residential / 5 Year Commercial



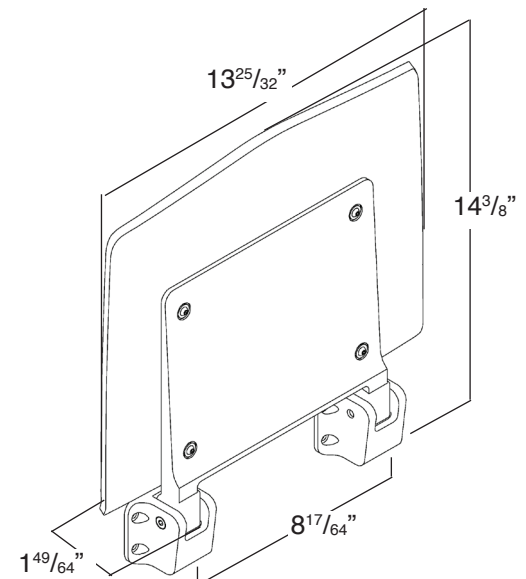
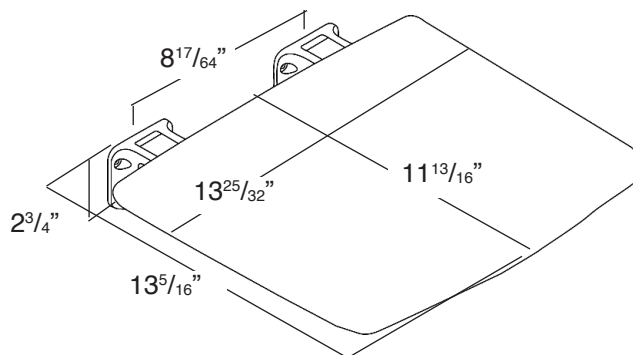
To Be Specified:

	MODEL NO.	DESCRIPTION	Length	Height	Depth
<input type="checkbox"/>	TFSS1313-	Fold-up Shower Seat	13 ²⁵ / ₃₂ "	2 ³ / ₄ "	14 ³ / ₈ "

TO ORDER add the color code to end of model number

To Be Specified: Color

	Code	Color
<input type="checkbox"/>	01	White
<input type="checkbox"/>	01	Black



BATH ACCESSORIES

Compliance Certifications - Meets or Exceeds the Following Specifications



Meets the Americans with Disabilities Act guidelines and ANSI A117.1 requirements for accessible and usable building facilities-check local codes when installed per accessibility guidelines of the act.