

WONLINE

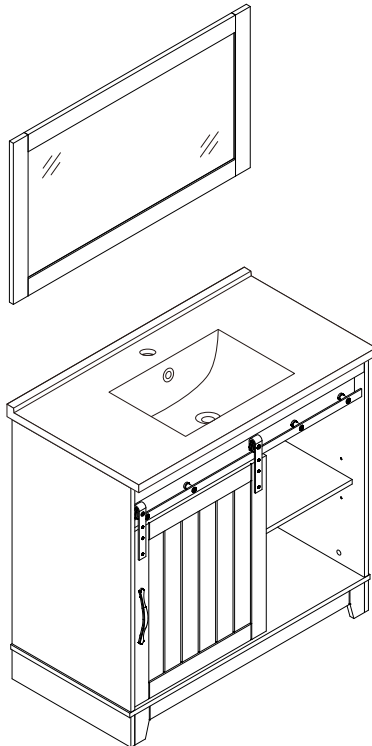
Model: USBR4710/USBR4711

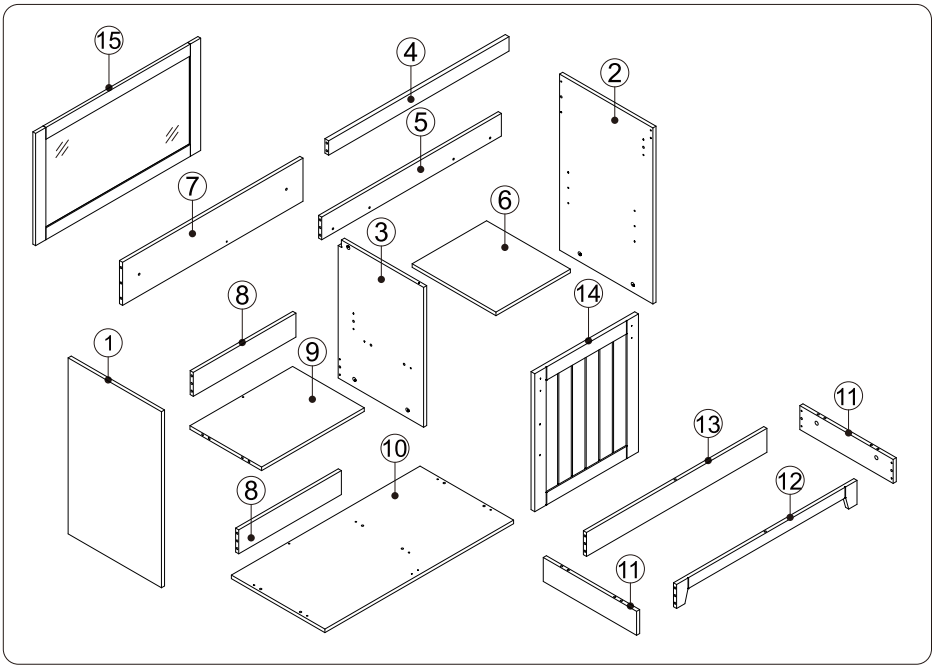
After-sales Email: **nbepeach@hotmail.com**

Customer Service Phone Number: **678-926-3988**

Thank you for purchasing Wonline product. All Wonline products are carefully engineered and factory tested for durability under normal conditions. We develop our products for simple installation. Follow our instruction to help you easily install your Wonline Vanity Set.

The vanity set will be came in multiple packages. Packages for vanity base and sink bowl may not arrive at the same time. Please kindly wait for it.



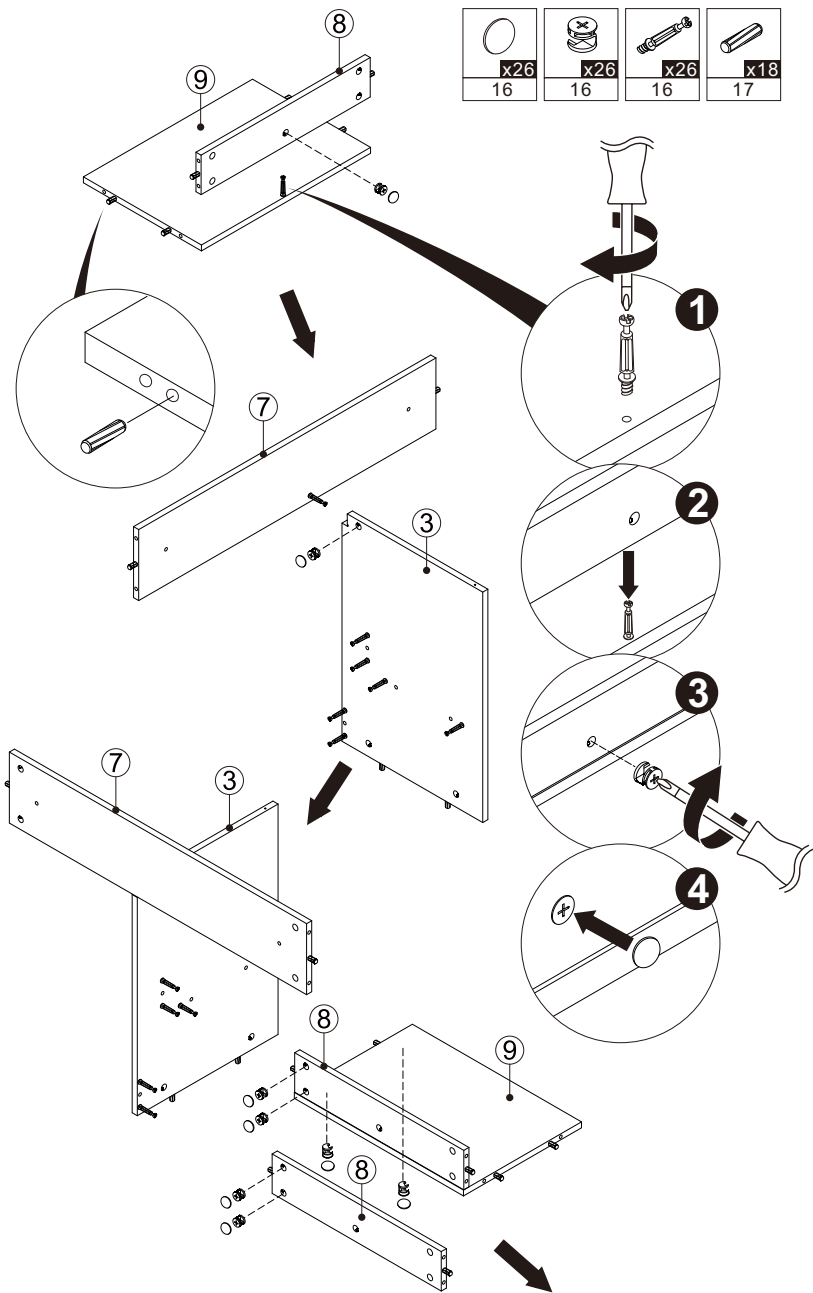


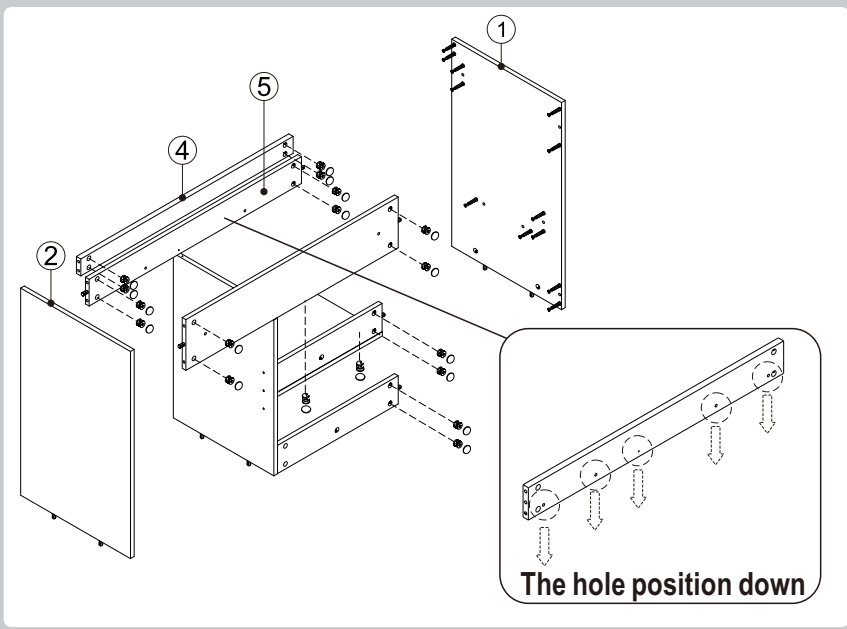
No.	Description	QTY
1	Left Side Board	1
2	Right Side Board	1
3	Connect Board 3	1
4	Connect Board 4	1
5	Connect Board 5	1
6	Movable Shelf	1
7	Connect Board 7	1
8	Connect Board 8	2
9	Fixed Shelf	1
10	Bottom Board	1
11	Connect Board 11	2
12	Connect Board 12	1
13	Connect Board 13	1
14	Door	1
15	Mirror	1

No.	Illustration	Description	QTY
16		Three-in-one Connector	47
17		Wood Plug	26
18		Screws M4x14	6

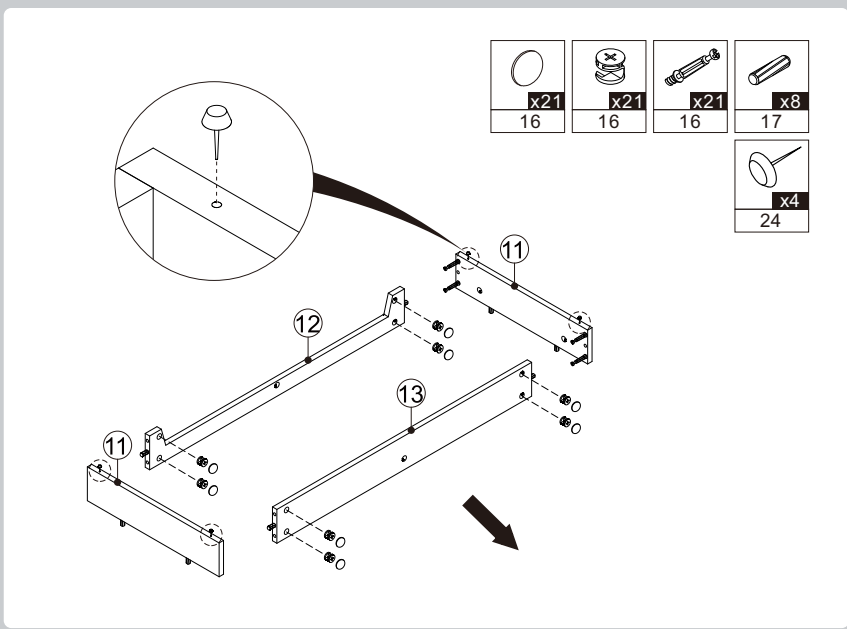
19		Handle Screws M4x22	2
20		Handle	1
21		Shelf Support	4
22		Anti-collision Particles	4
23		Bracket	1
24		Foot Nail	4
25		Screws M4x20	1
		Screws M4x16	
		Slider 2	
		Screws M6x55	
		Screws M4x14	
26		Screws For Fix On The Wall M5.5x60	2
27		Screws M4.2x38 For Fix On The Wall	2

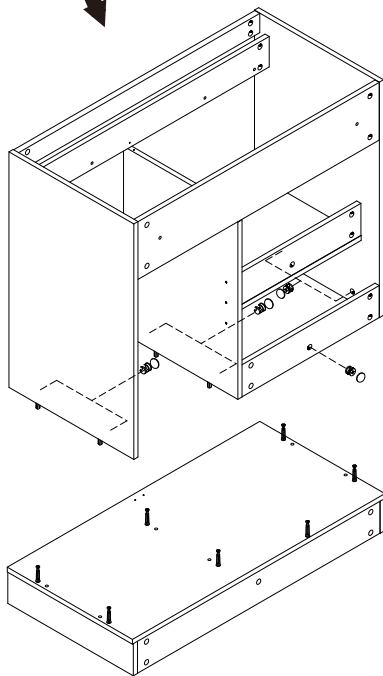
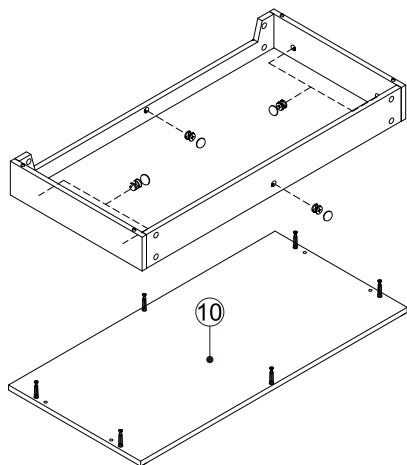
Step 1



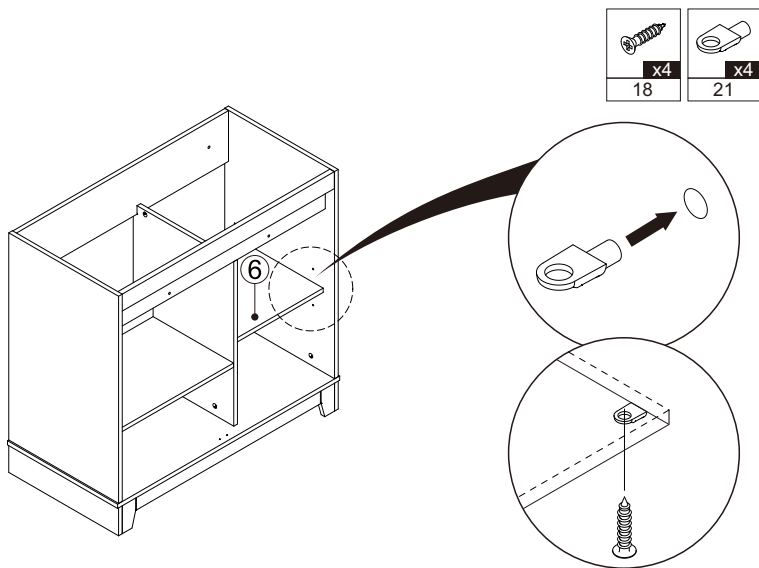


Step2

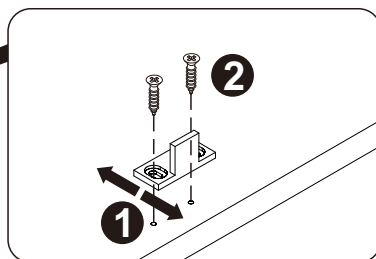
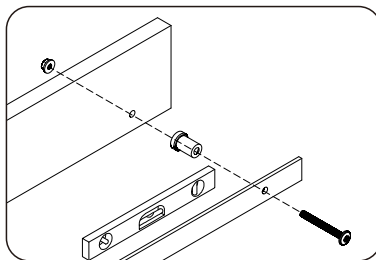
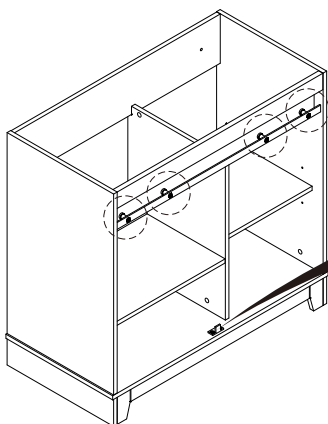
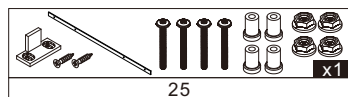




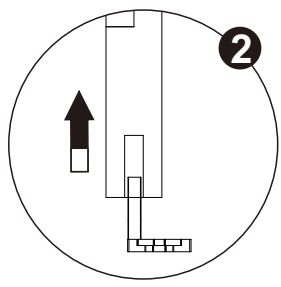
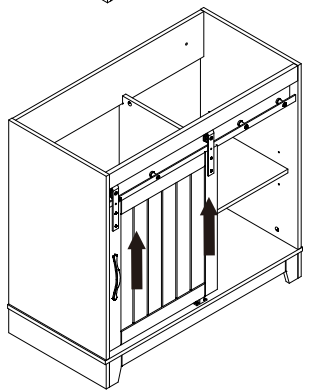
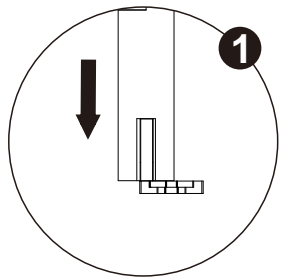
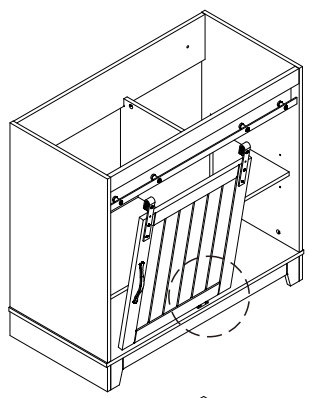
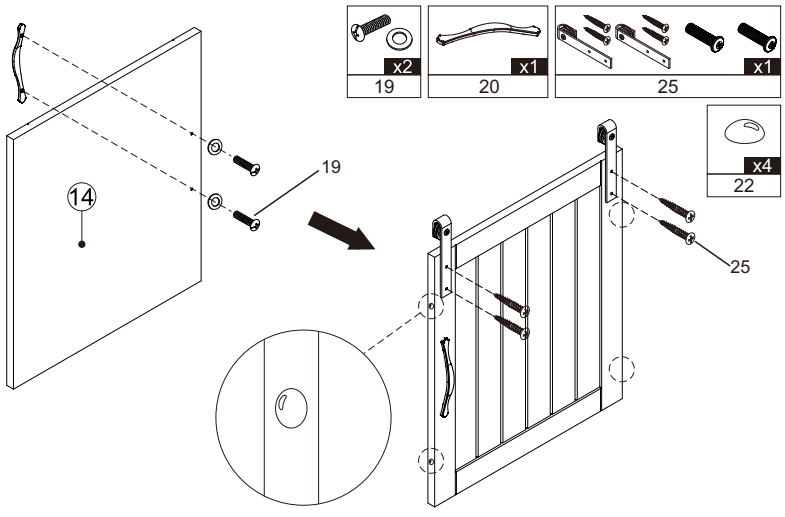
Step3

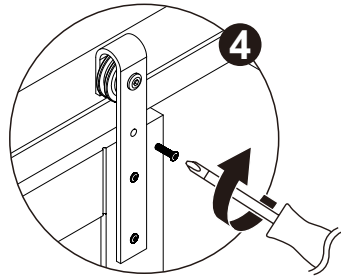
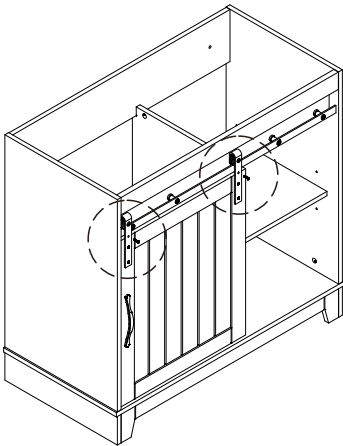
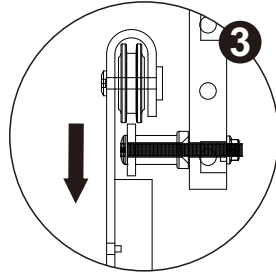
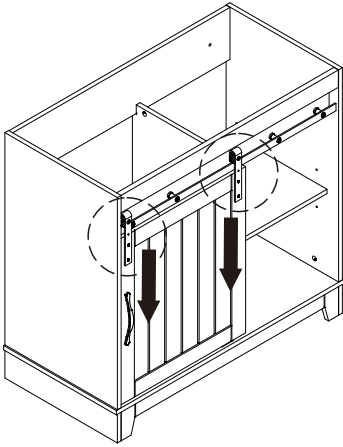


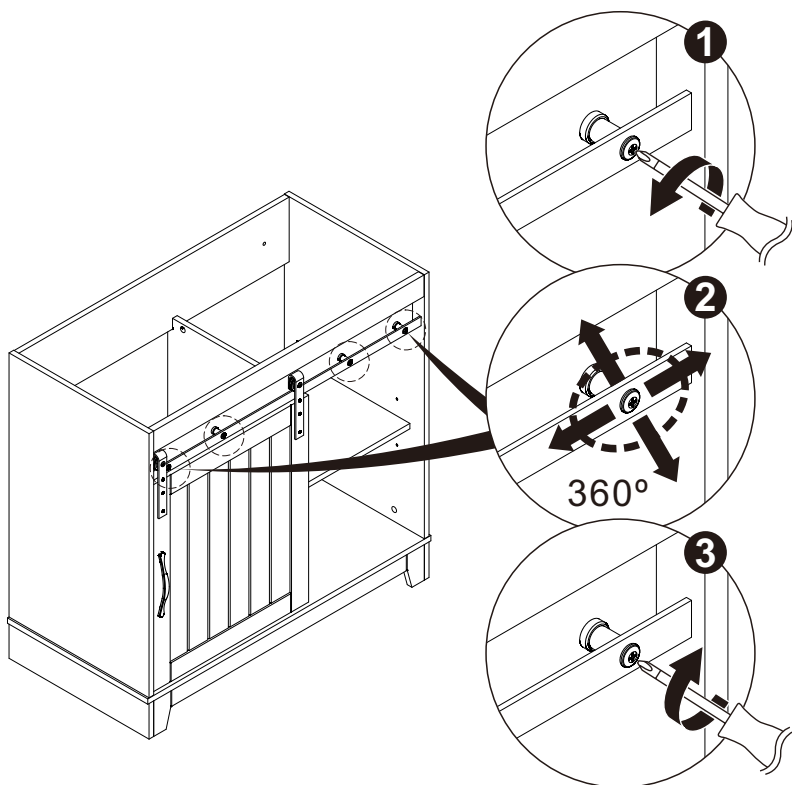
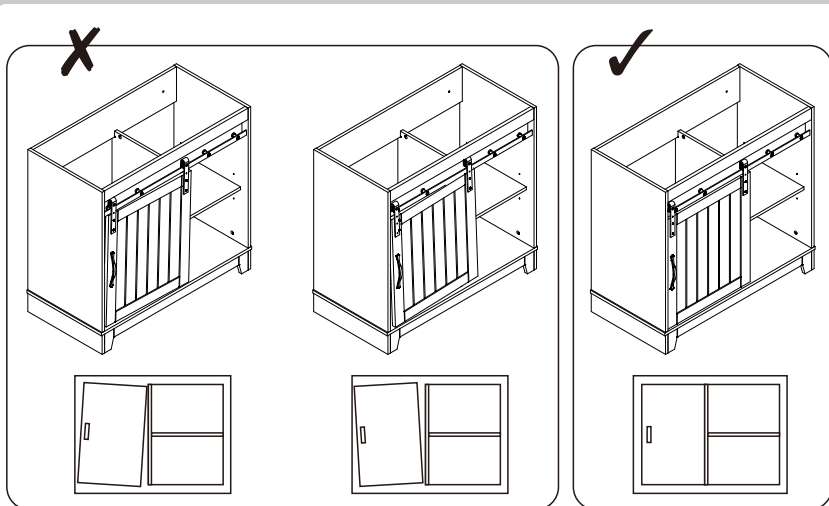
Step4




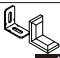
Step 5

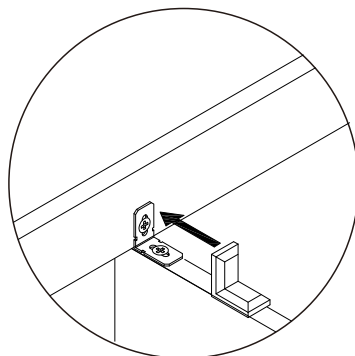
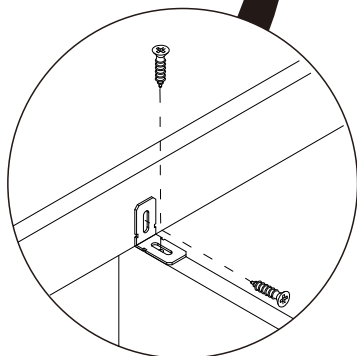
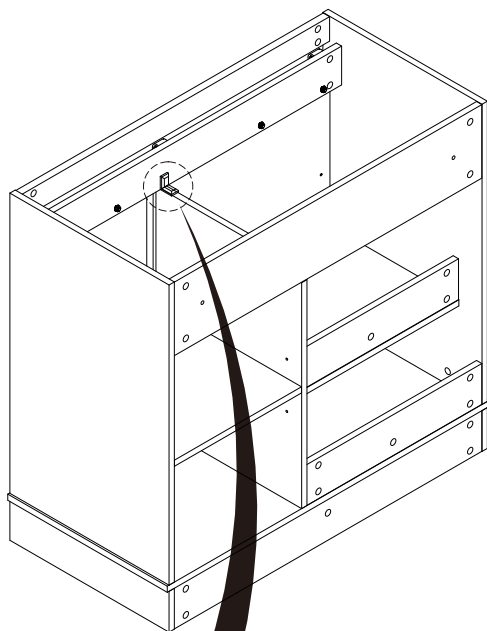




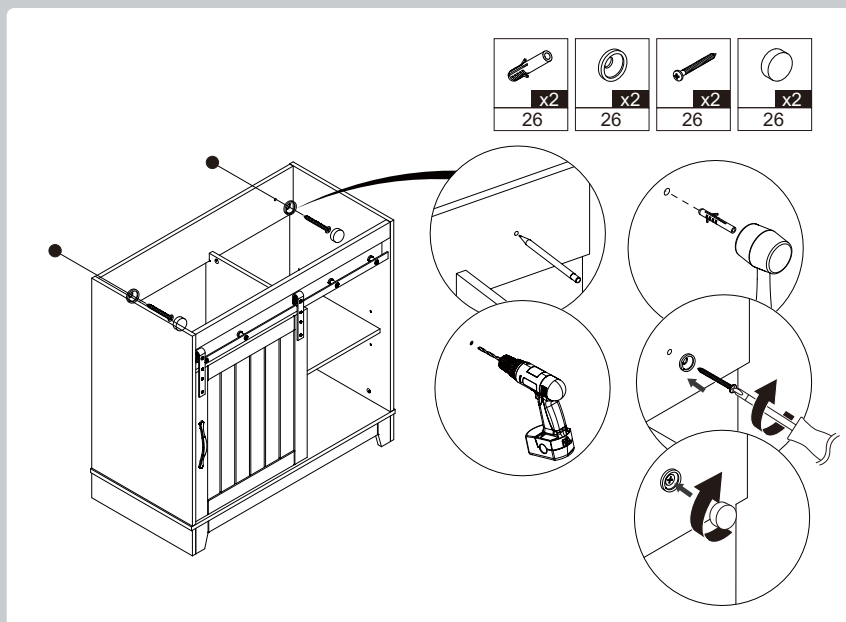


Step 6

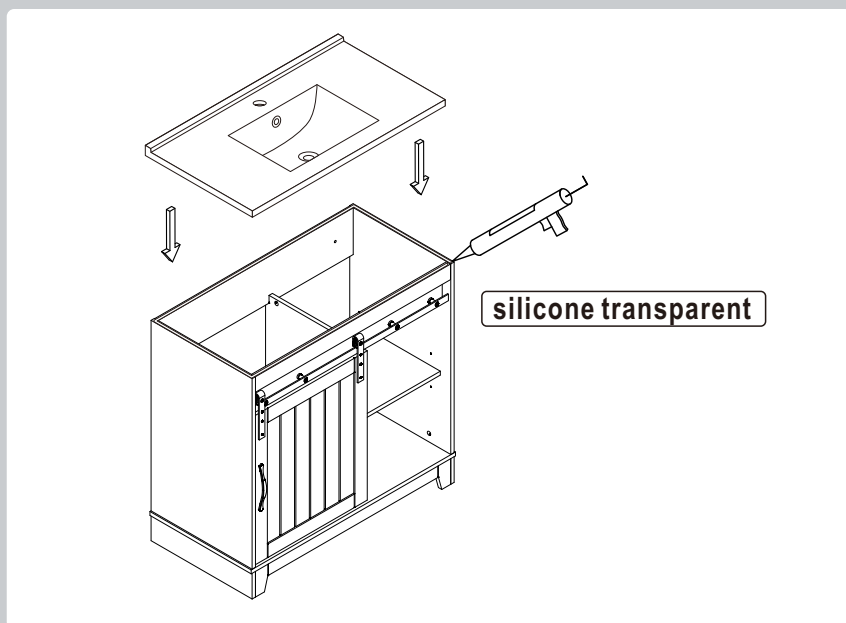
	
x2	x1
18	23



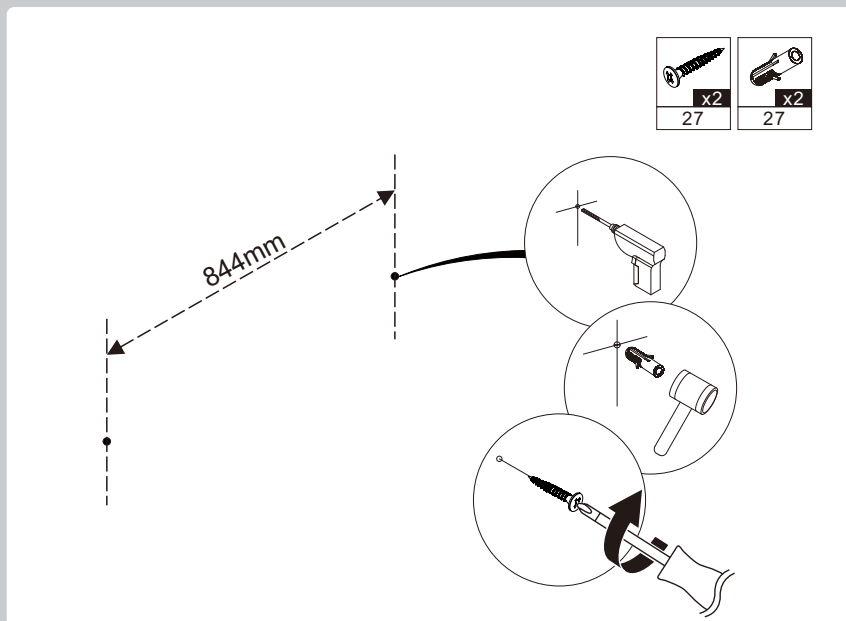
Step7



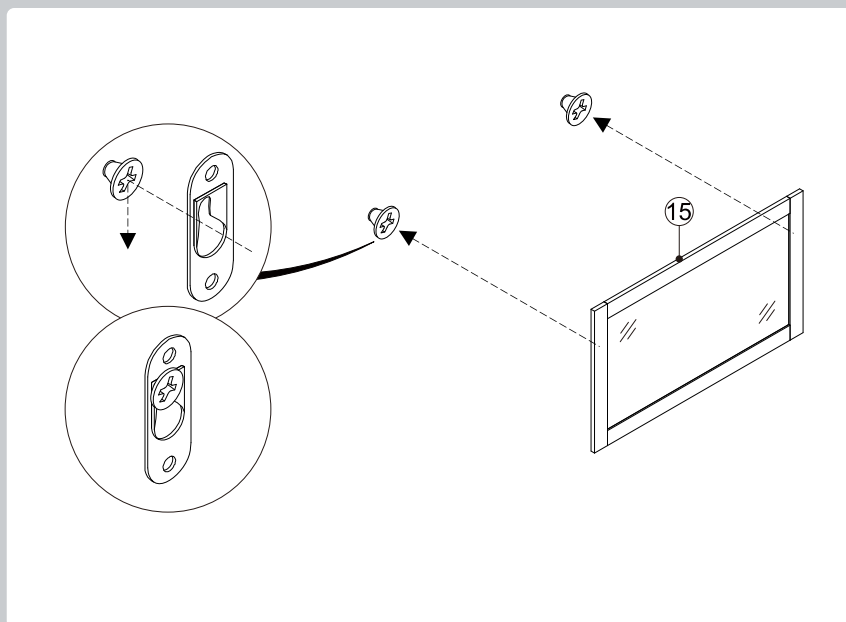
Step8



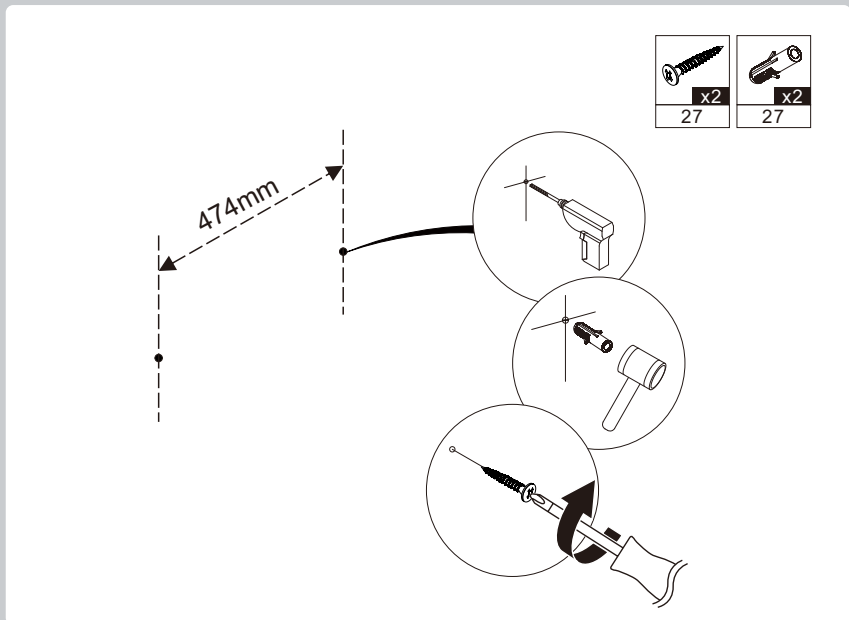
Step9/a



Step10/a



Step9/b



Step10/b

