

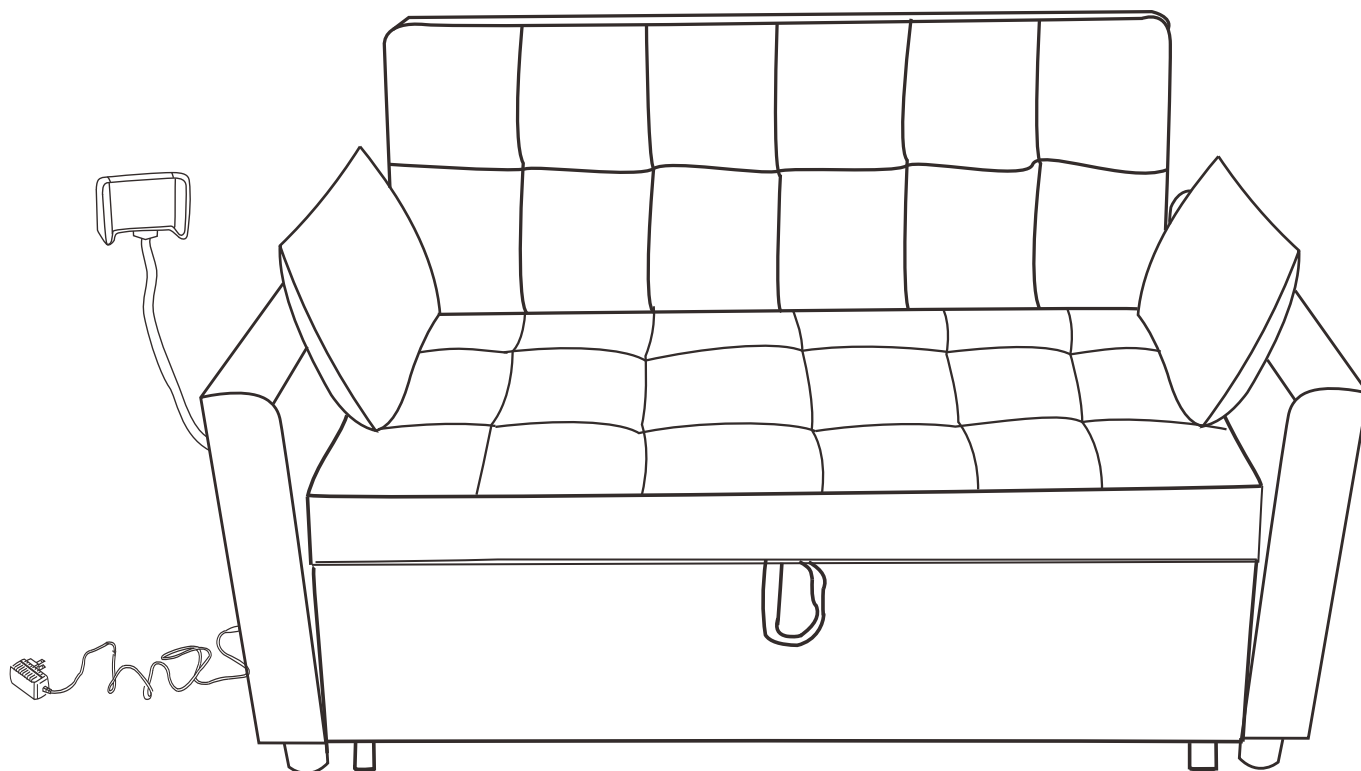
ASSEMBLY INSTRUCTIONS

ITEM#N719P208853

Two assembly instructions are included with this product; please consider this version as final. If you have any questions after reviewing it, please contact the seller for an installation video.

ASSEMBLY INSTRUCTIONS

ITEM#N719P208853



IMPORTANT NOTE

**Place all parts on a lean and smooth surface such as a rug or carpet to avoid the parts from being scratched.

**Before you begin, please review the assembly instruction step by step.

**Return & Warranty Policy:

-We strive to offer the highest quality products. We also provide positive solutions with replacements or refund if needed.



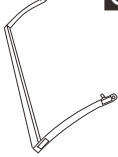

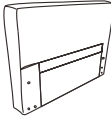
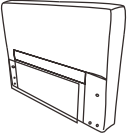

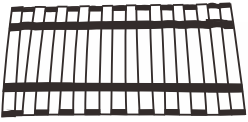

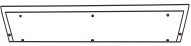
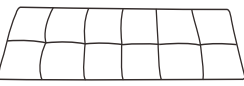
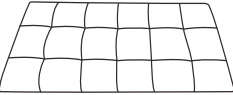
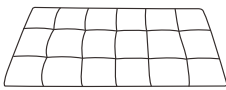








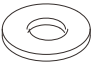
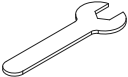
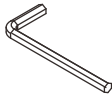
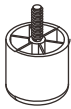





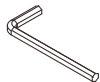
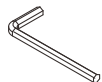
-If the item is damaged or defective, please take photos to show the problem and email to the seller.

-Please do not return back the product before contact the seller.

ASSEMBLY INSTRUCTIONS

ITEM#N719P208853

PART LISTS : N719P208853

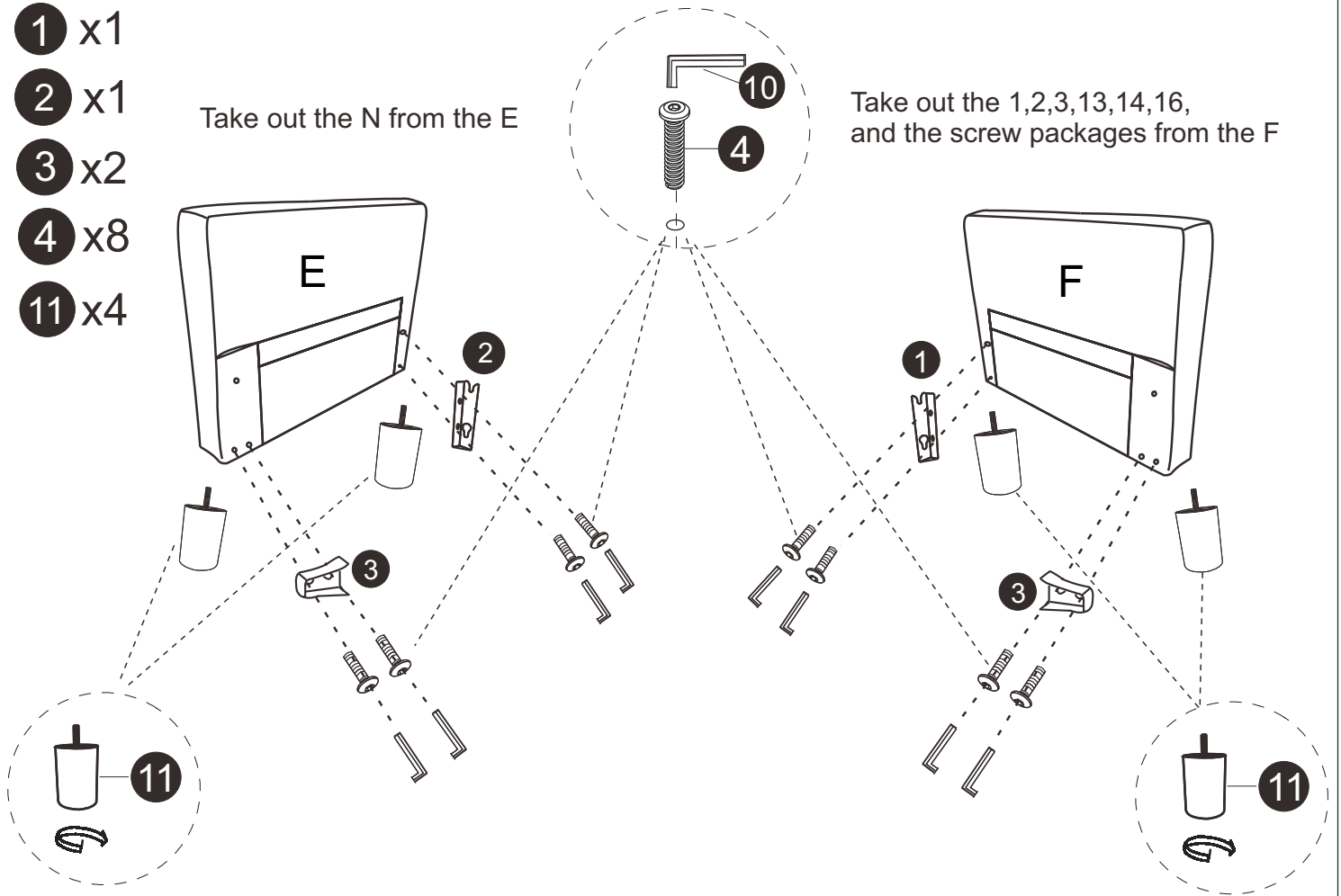
<p>A x1</p>  <p>Pullout Bed Seat Frame</p>	<p>B x1</p>  <p>Connect Road of 2 Seater</p>	<p>C x1</p>  <p>Back Connect Metal</p>	<p>D x1</p>  <p>2 Seater Slat</p>	<p>E x1</p>  <p>Left Armrest</p>	
<p>F x1</p>  <p>Right Armrest</p>	<p>G x1</p>  <p>Top Back Frame</p>	<p>H x1</p>  <p>Chaise&Pullout Bed Slat</p>	<p>I x1</p>  <p>Under Back Frame</p>	<p>J x1</p>  <p>Pullout Bed Front Board</p>	
<p>K x1</p>  <p>Back Cushion</p>	<p>L x1</p>  <p>2 Seater Seat Cushion</p>	<p>M x1</p>  <p>Pullout Bed Seat Cushion</p>	<p>N x2</p>  <p>Armrest Pillows</p>	<p>1 x1</p>  <p>Left Connect Metal</p>	<p>2 x1</p>  <p>Right Connect Metal</p>
<p>3 x2</p>  <p>Limiting Stopper</p>	<p>4 x16</p>  <p>M6x20mm Screws</p>	<p>5 x3</p>  <p>M6x40mm Screws</p>	<p>6 x4</p>  <p>M6*20mm Screws</p>	<p>7 x2</p>  <p>Spring Gasket</p>	
<p>8 x2</p>  <p>Gasket</p>	<p>9 x1</p>  <p>Spanner</p>	<p>10 x1</p>  <p>M6 Allen Key</p>	<p>11 x4</p>  <p>Legs</p>	<p>12 x1</p>  <p>Pull Belt Of Chaise</p>	
<p>13 x1</p>  <p>USB Charger</p>	<p>14 x1</p>  <p>Support</p>	<p>15 x4</p>  <p>M4*10mm Screws</p>	<p>16 x2</p>  <p>Broaching Wheel</p>	<p>17 x1</p>  <p>M4 Allen Key</p>	<p>18 x1</p>  <p>M5 Allen Key</p>

Step 1

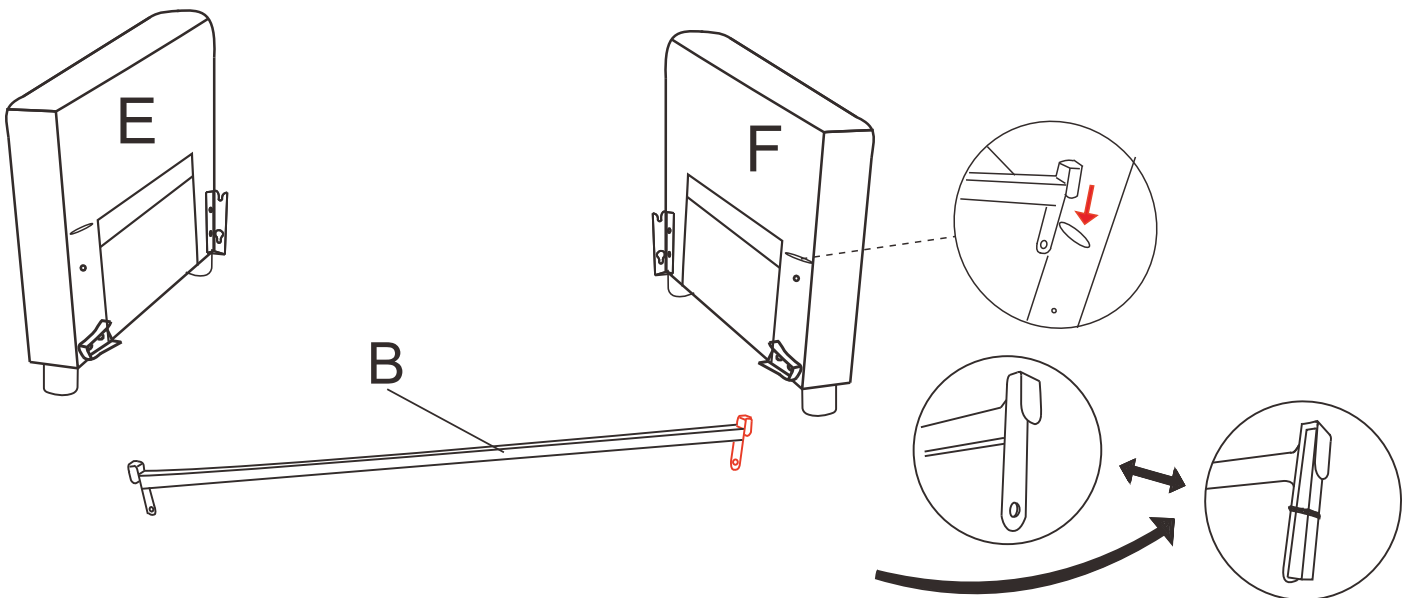
- 1 x1
- 2 x1
- 3 x2
- 4 x8
- 11 x4

Take out the N from the E

Take out the 1,2,3,13,14,16,
and the screw packages from the F



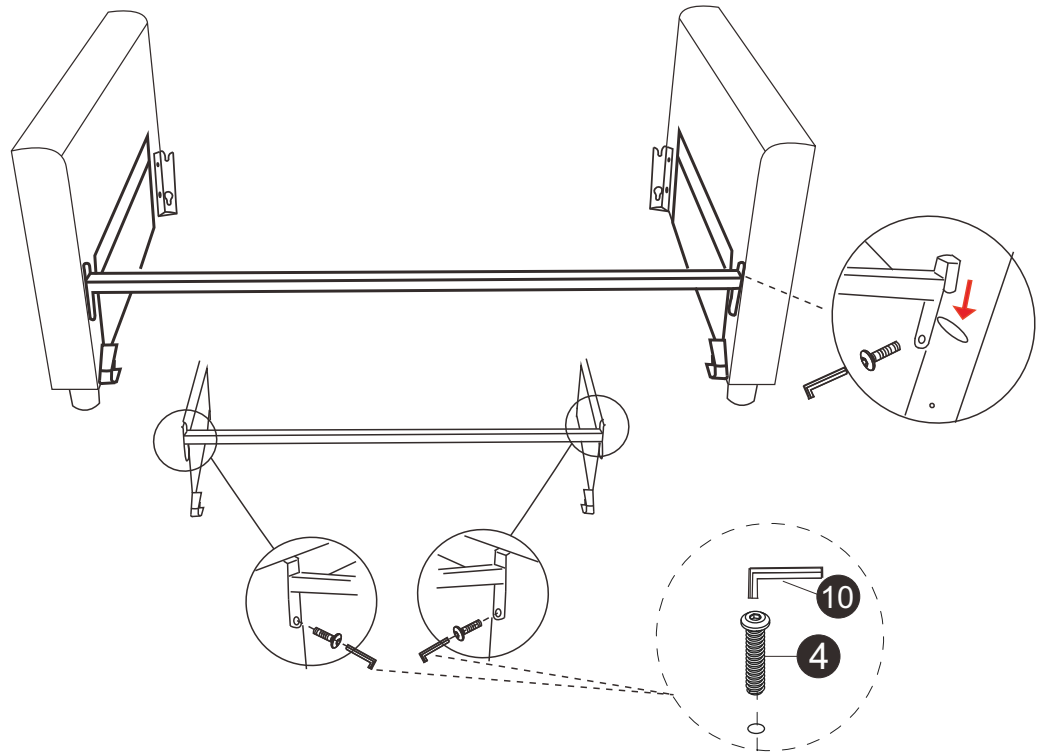
Step 2



TIPS: Remove the protective sheath at "B" and install it again.

Step 3

4 x2

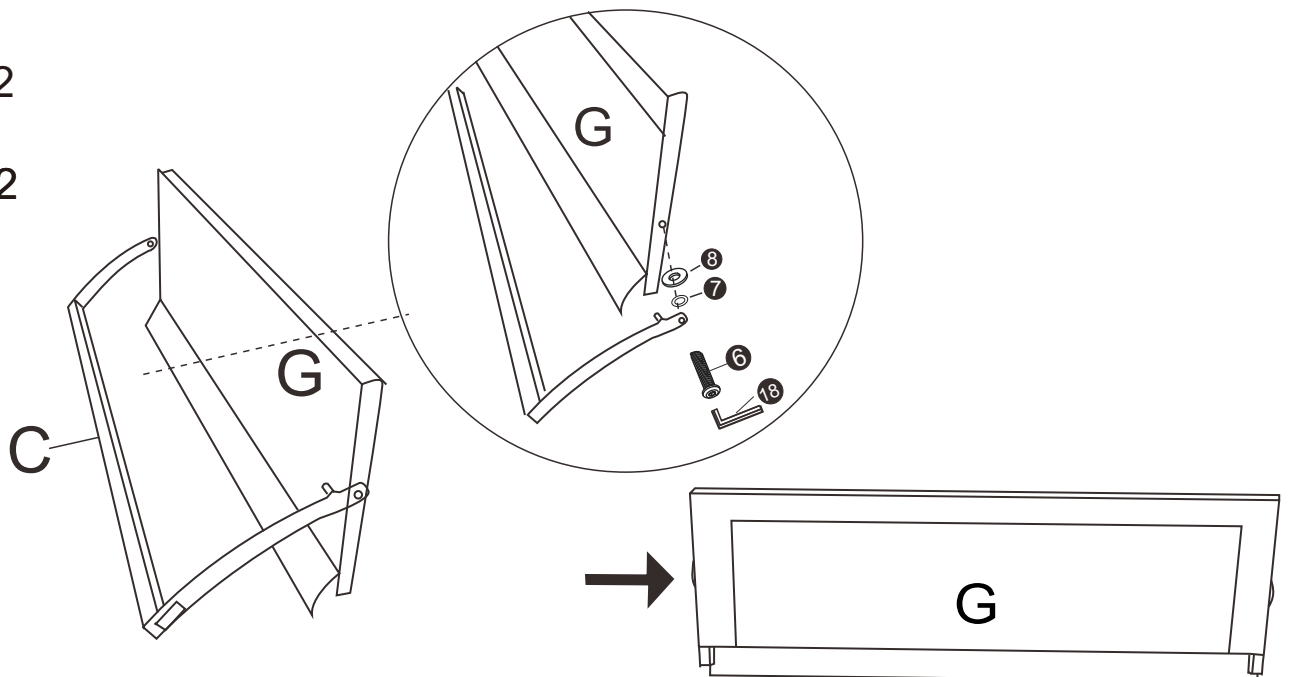


Step 4

6 x2

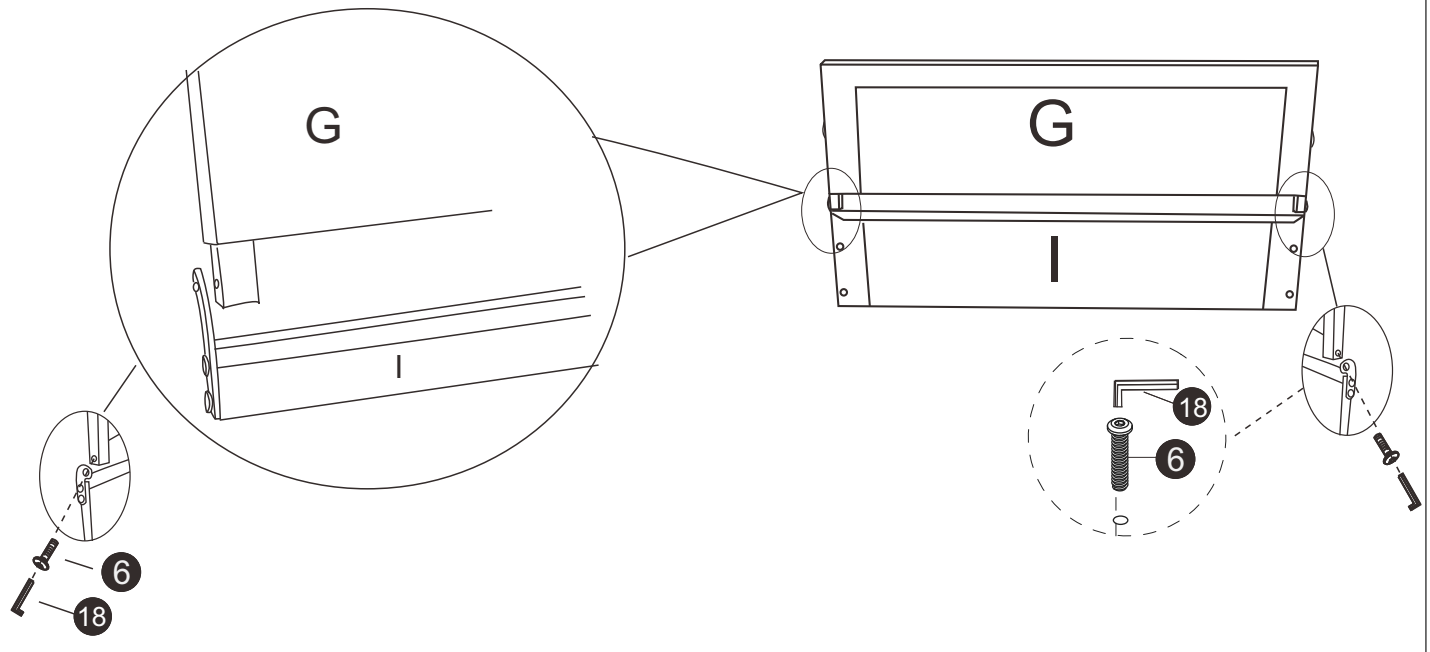
7 x2

8 x2



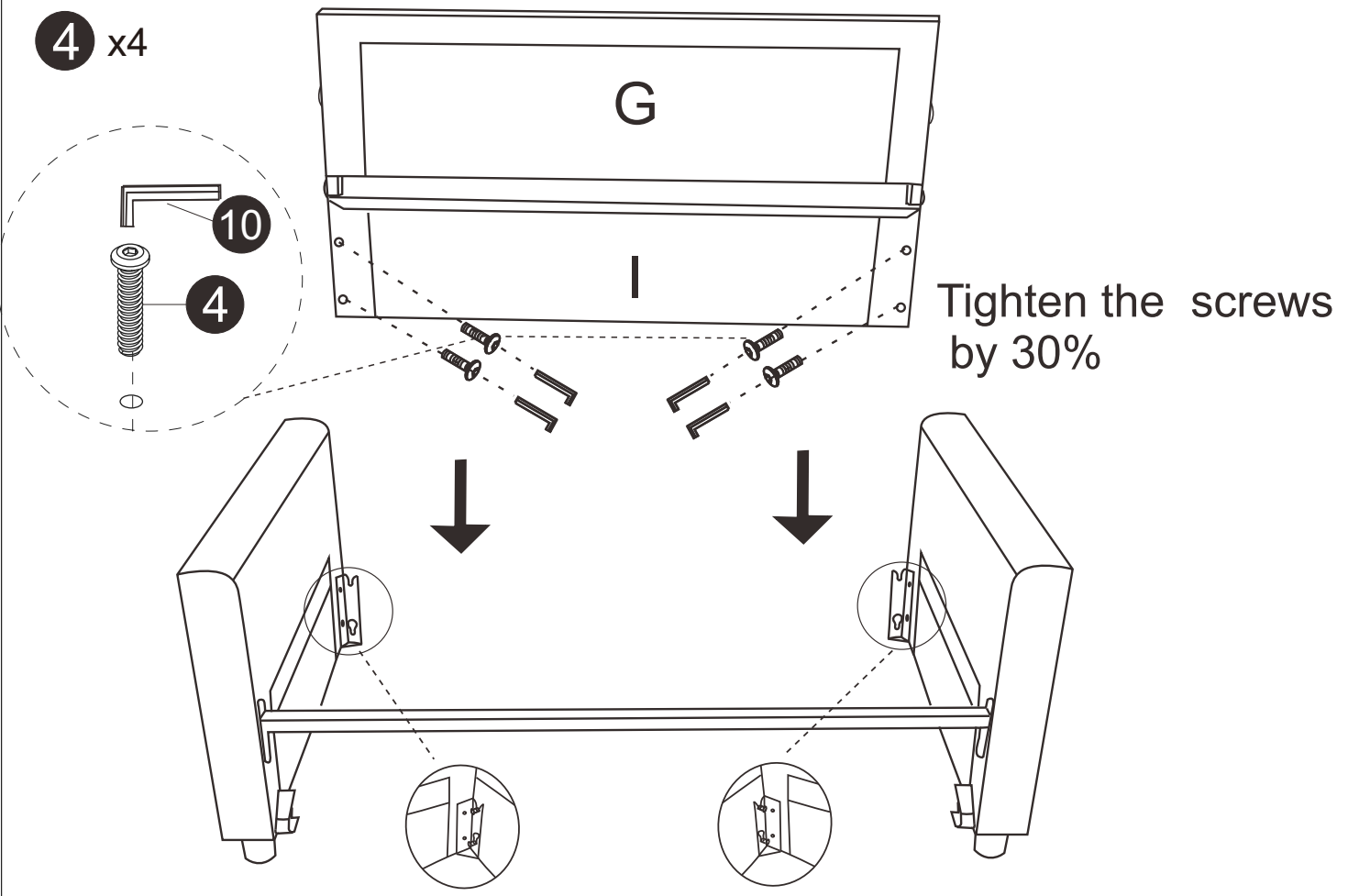
Step 5

6 x2

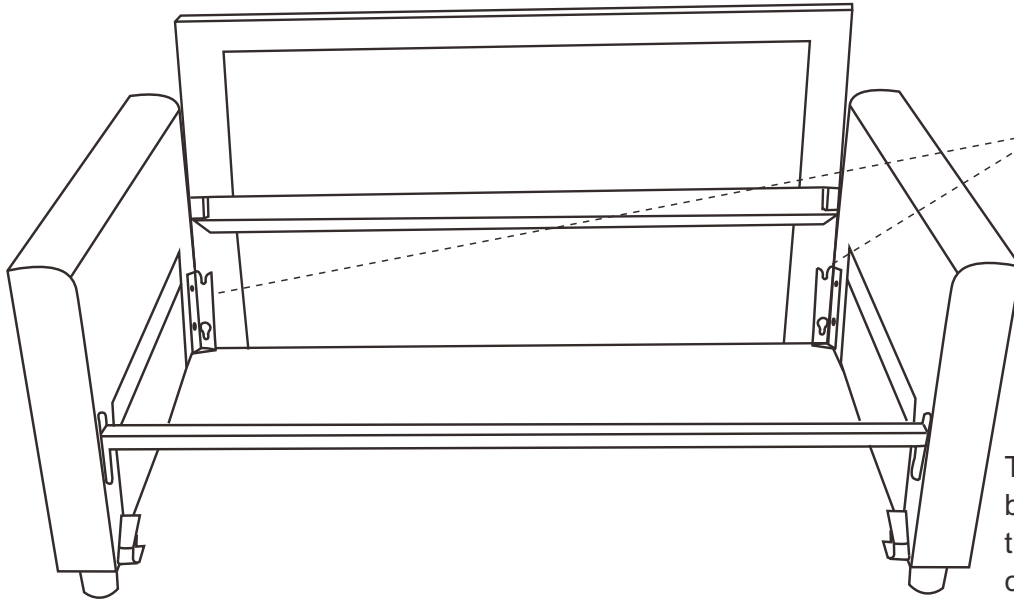


Step 6

4 x4



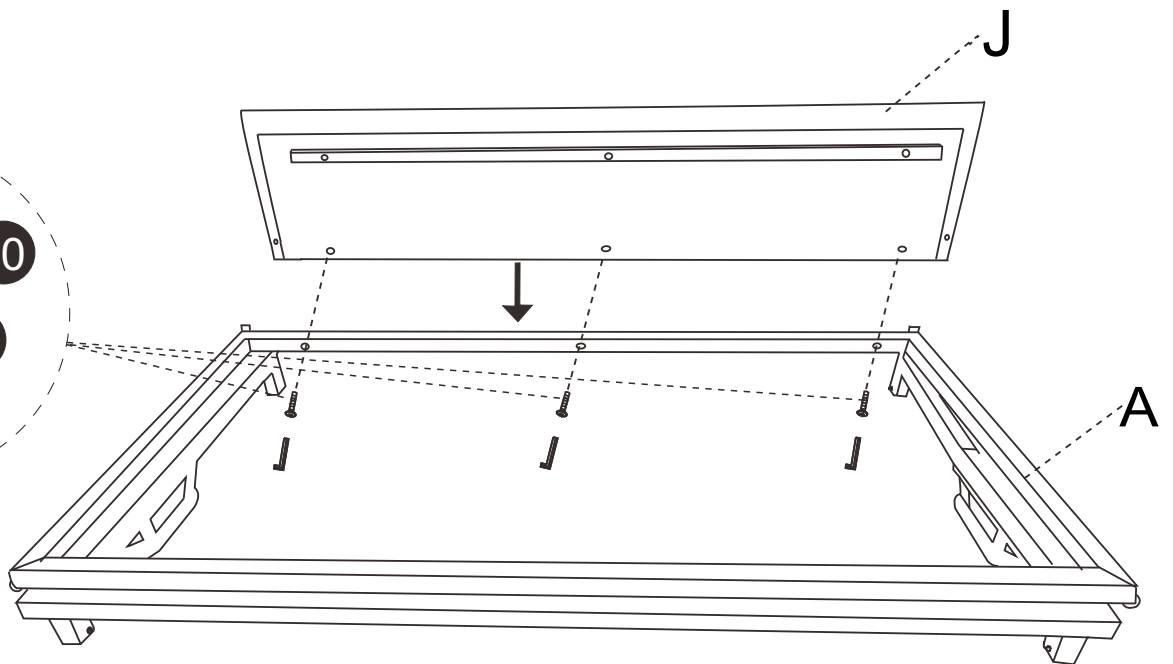
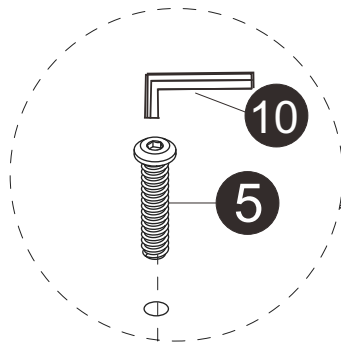
Step 7



Turn the screws on the 2-seater backrest(S)**not too tight**; then put the back rest on to the connect metal, and **tighten the screws at the end of.**

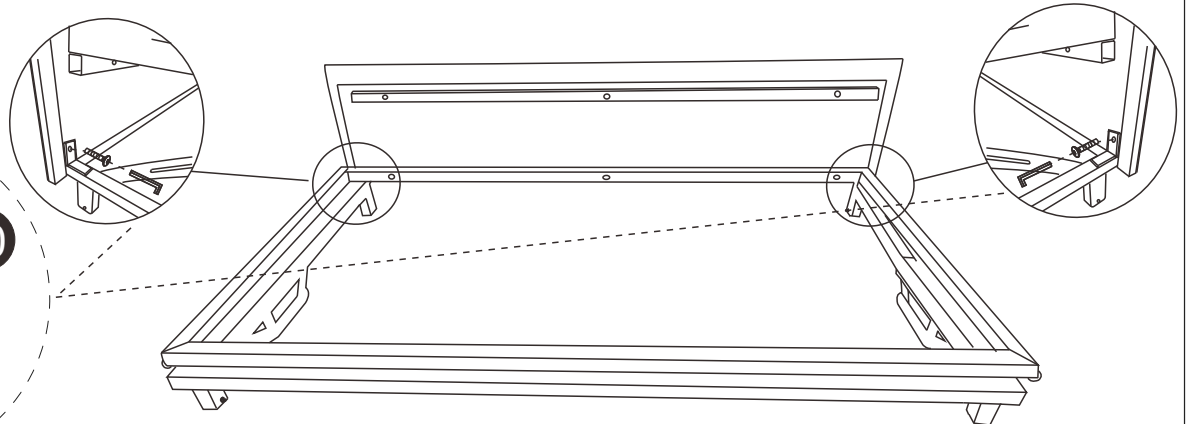
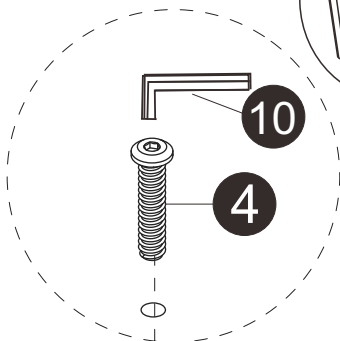
Step 8

5 x3



Step 9

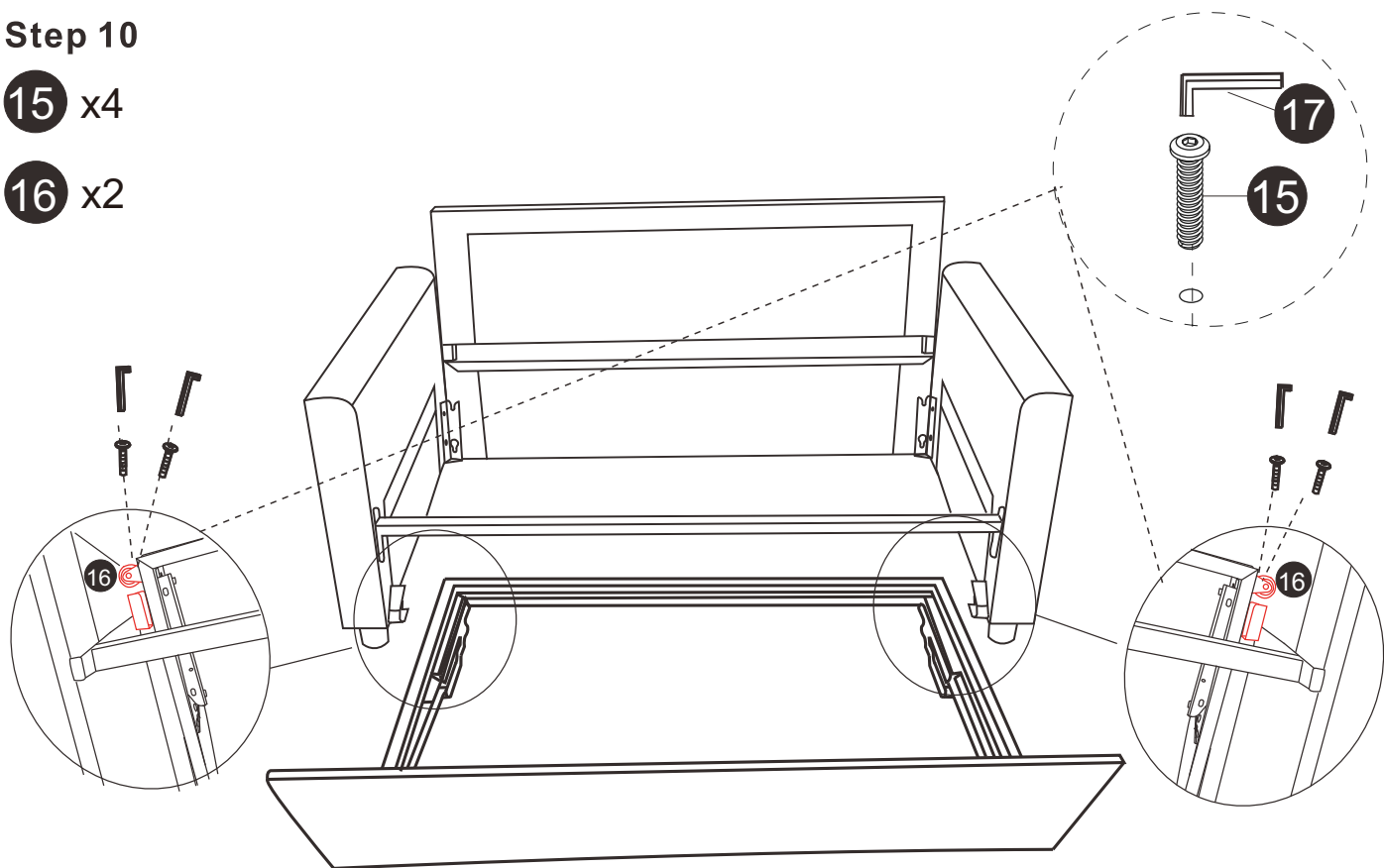
4 x2



Step 10

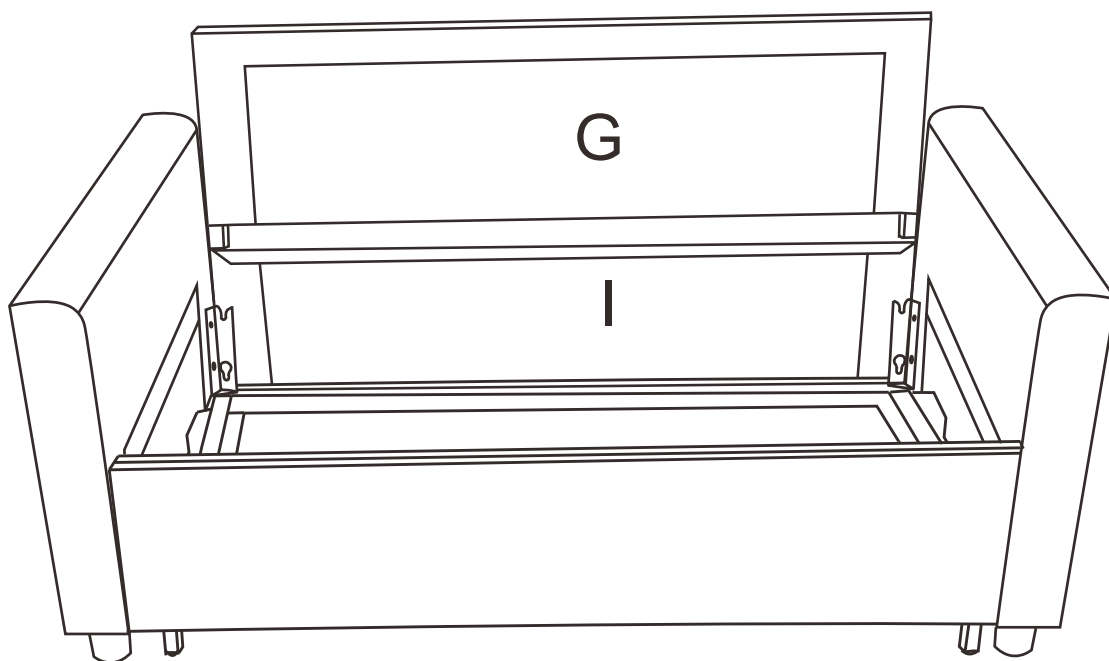
15 x4

16 x2

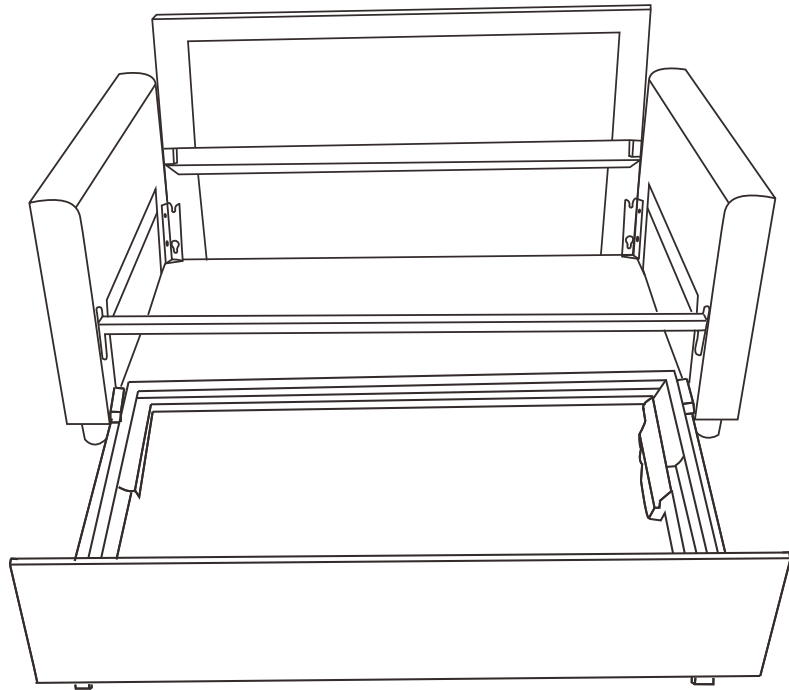


Please ensure that the pulley on the bottom is securely fastened to the 3-part.
You can test the pulley's functionality by pulling on the base.

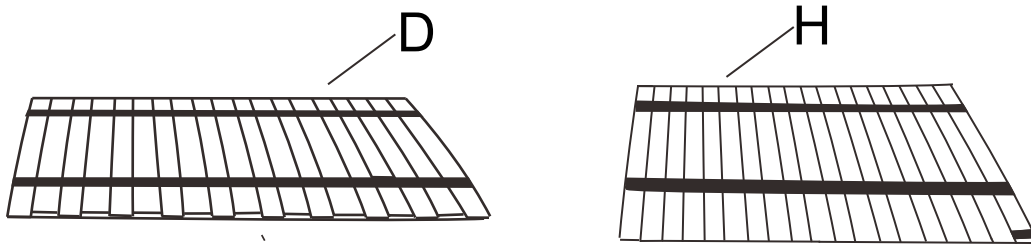
Step 11



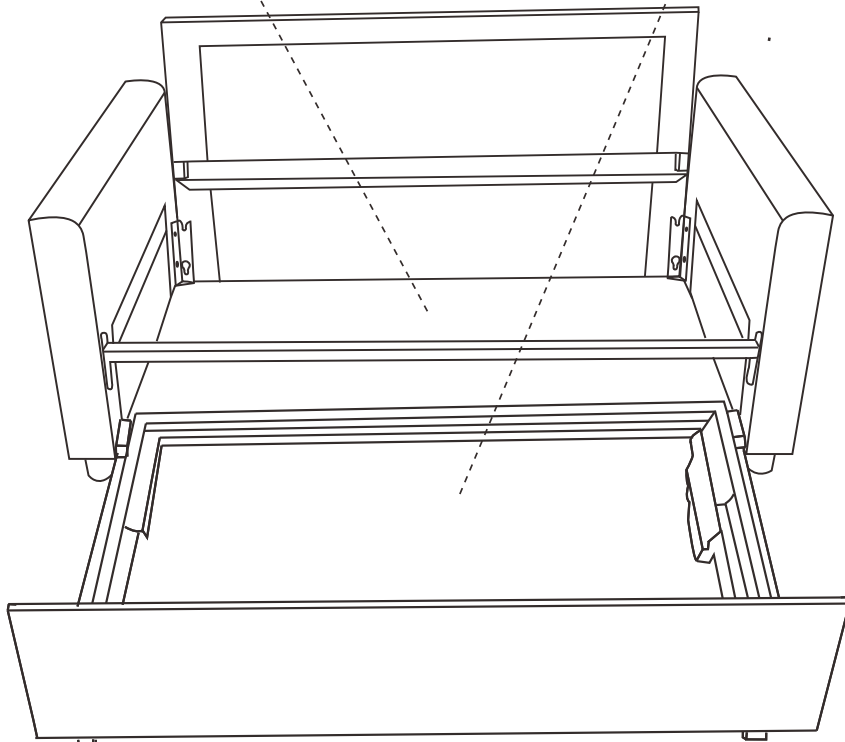
Step 12



Step 13

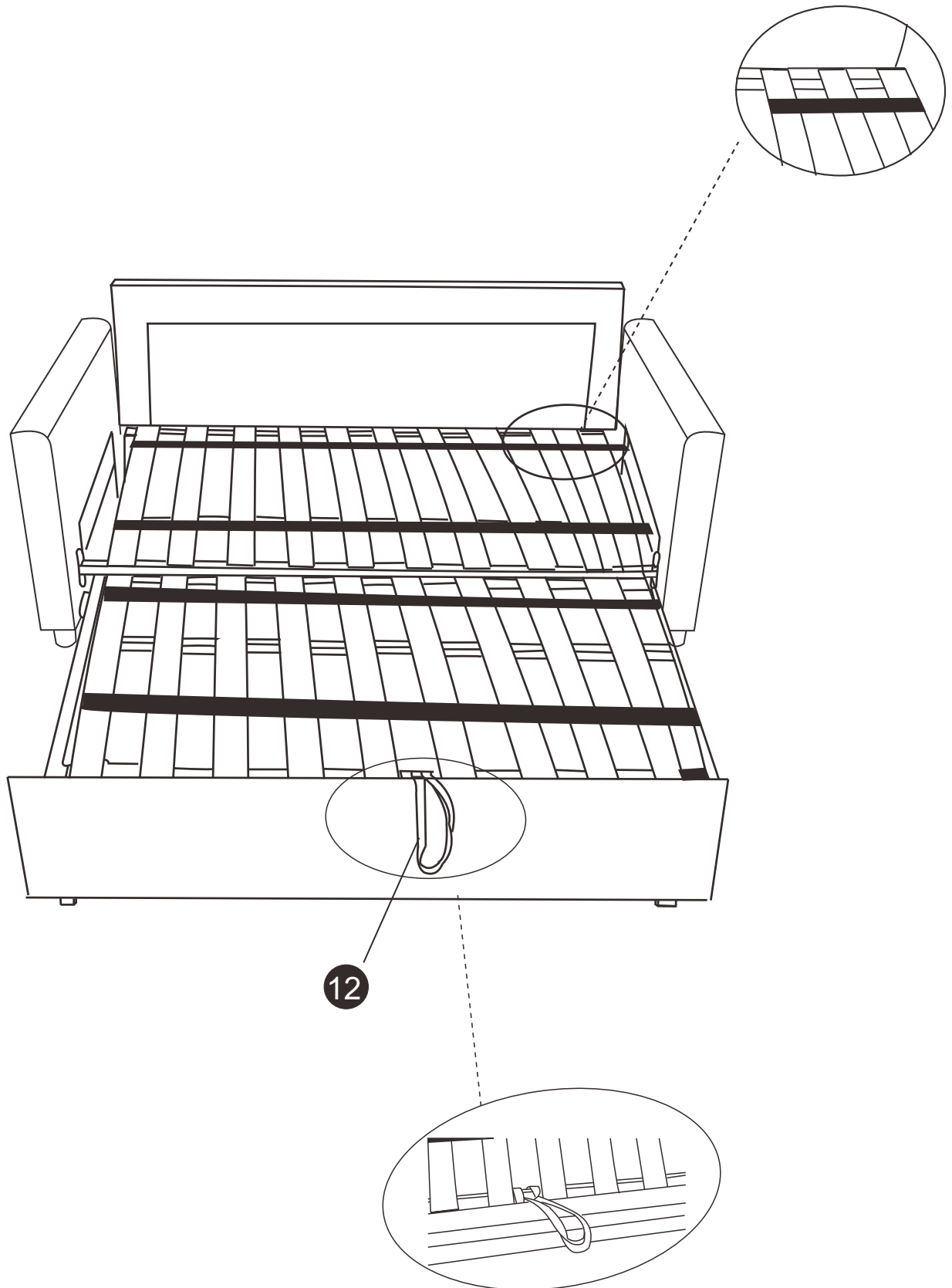


Arched upwards

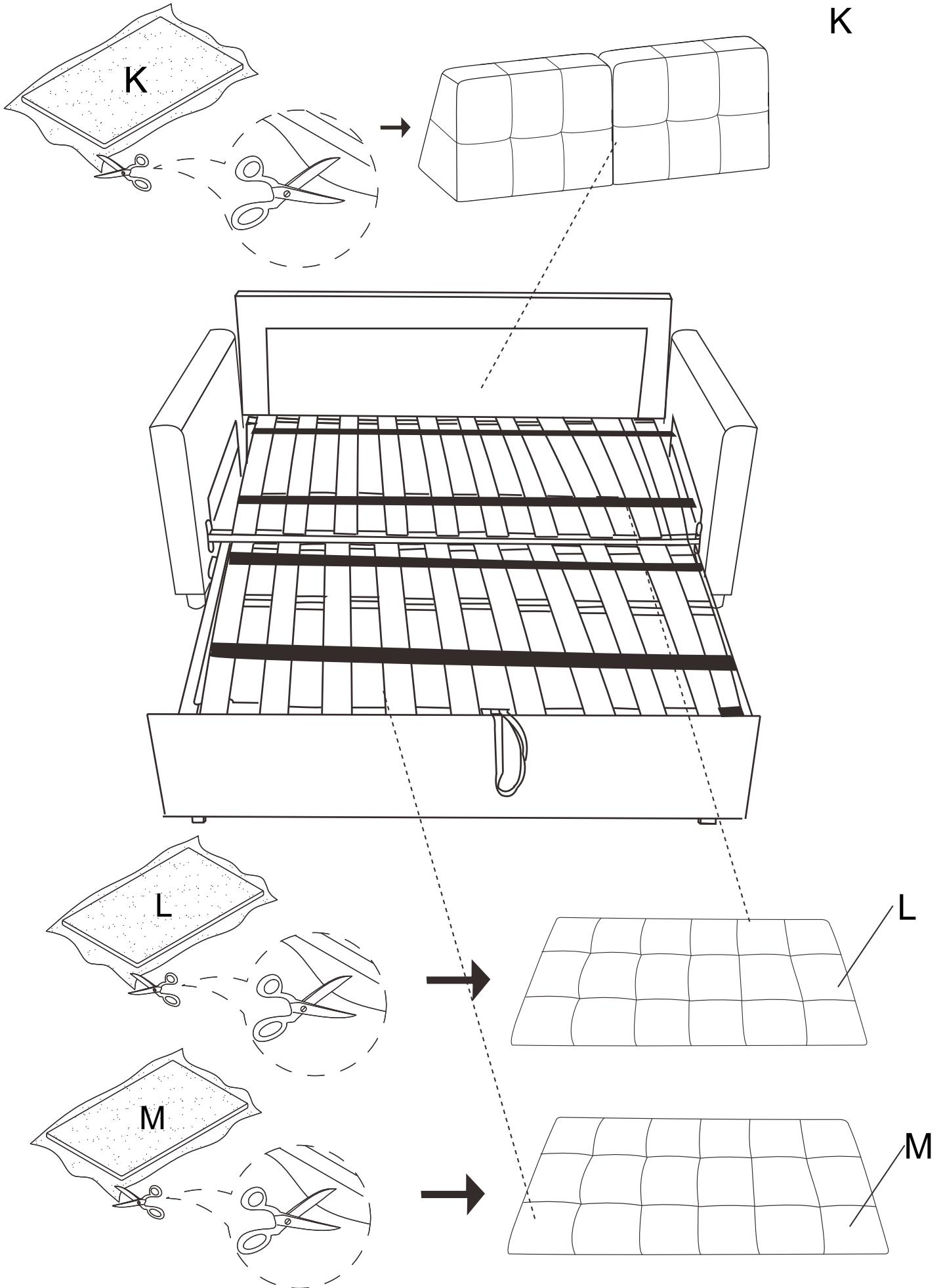


Step 14

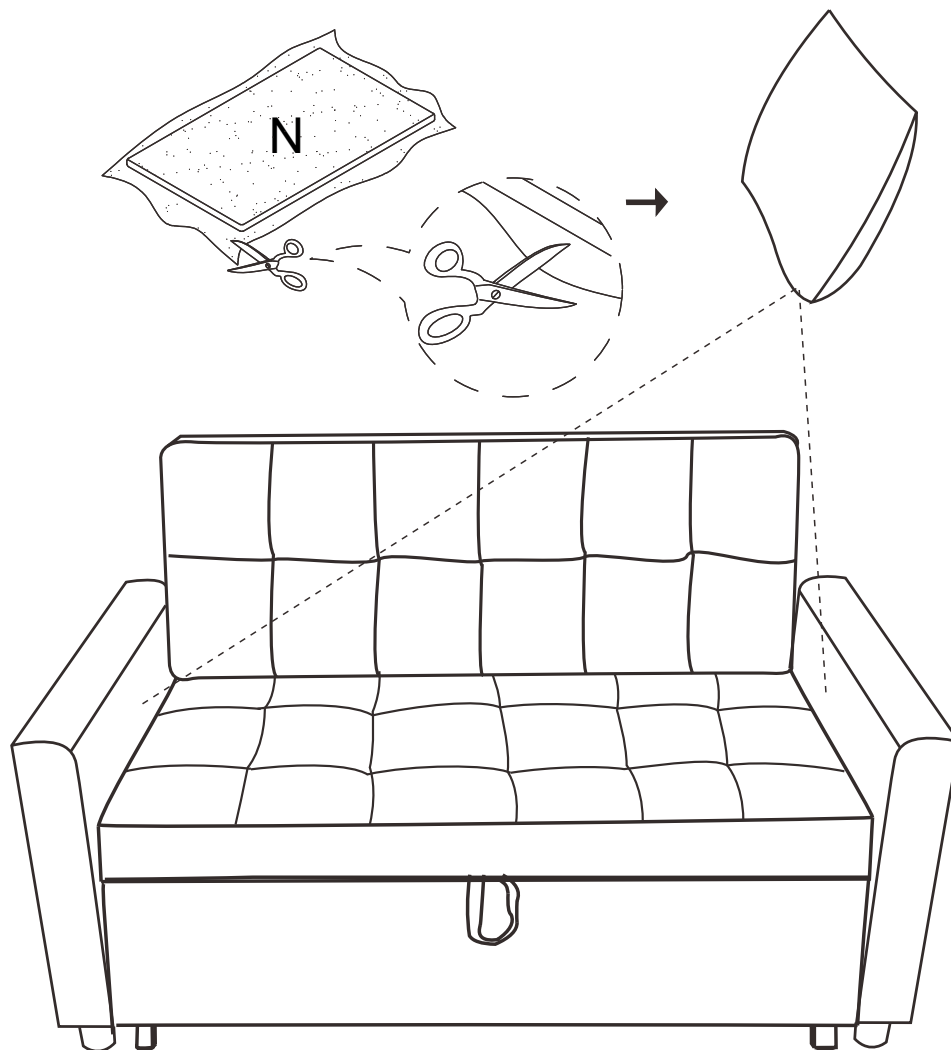
12 x1



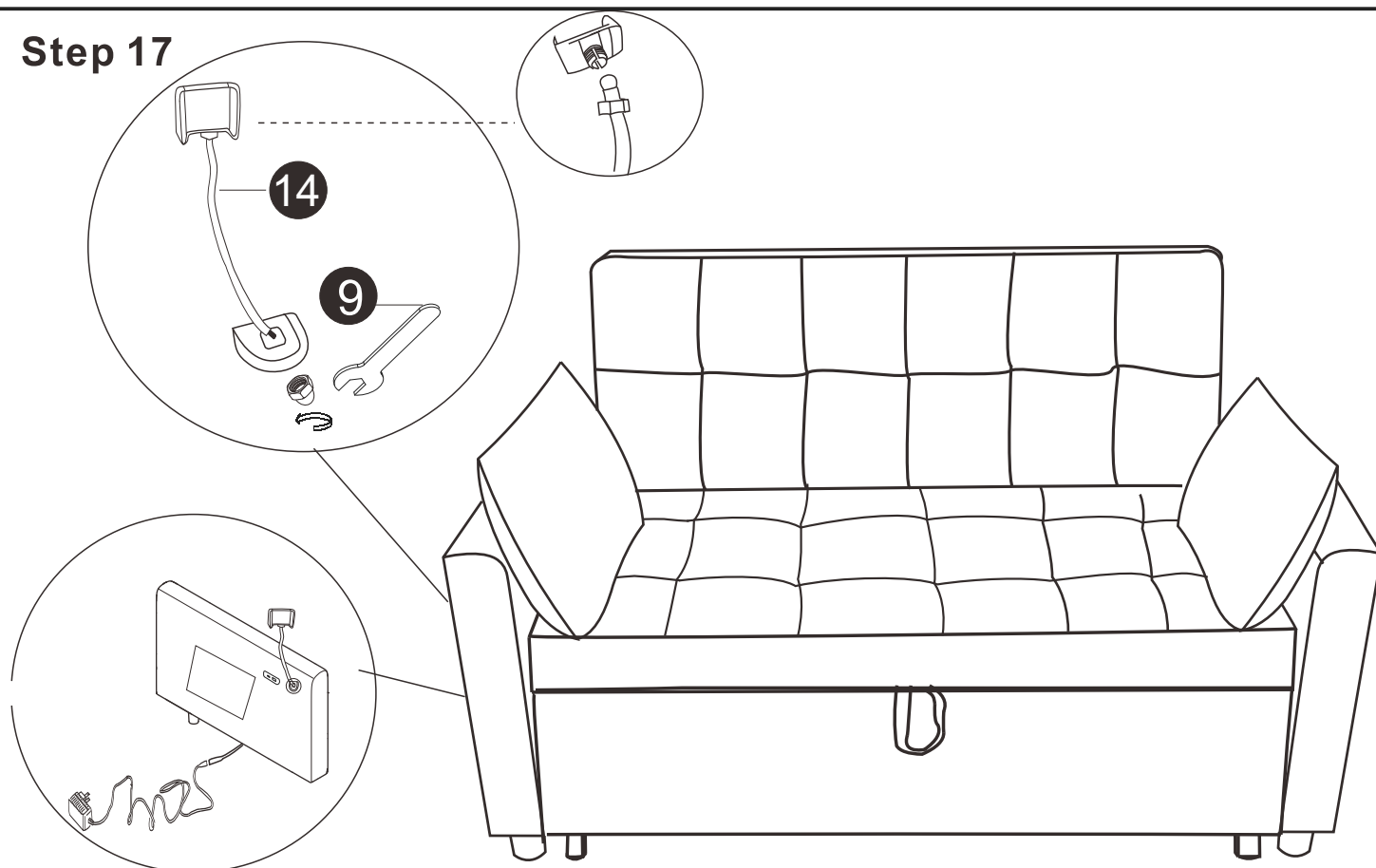
Step 15



Step 16

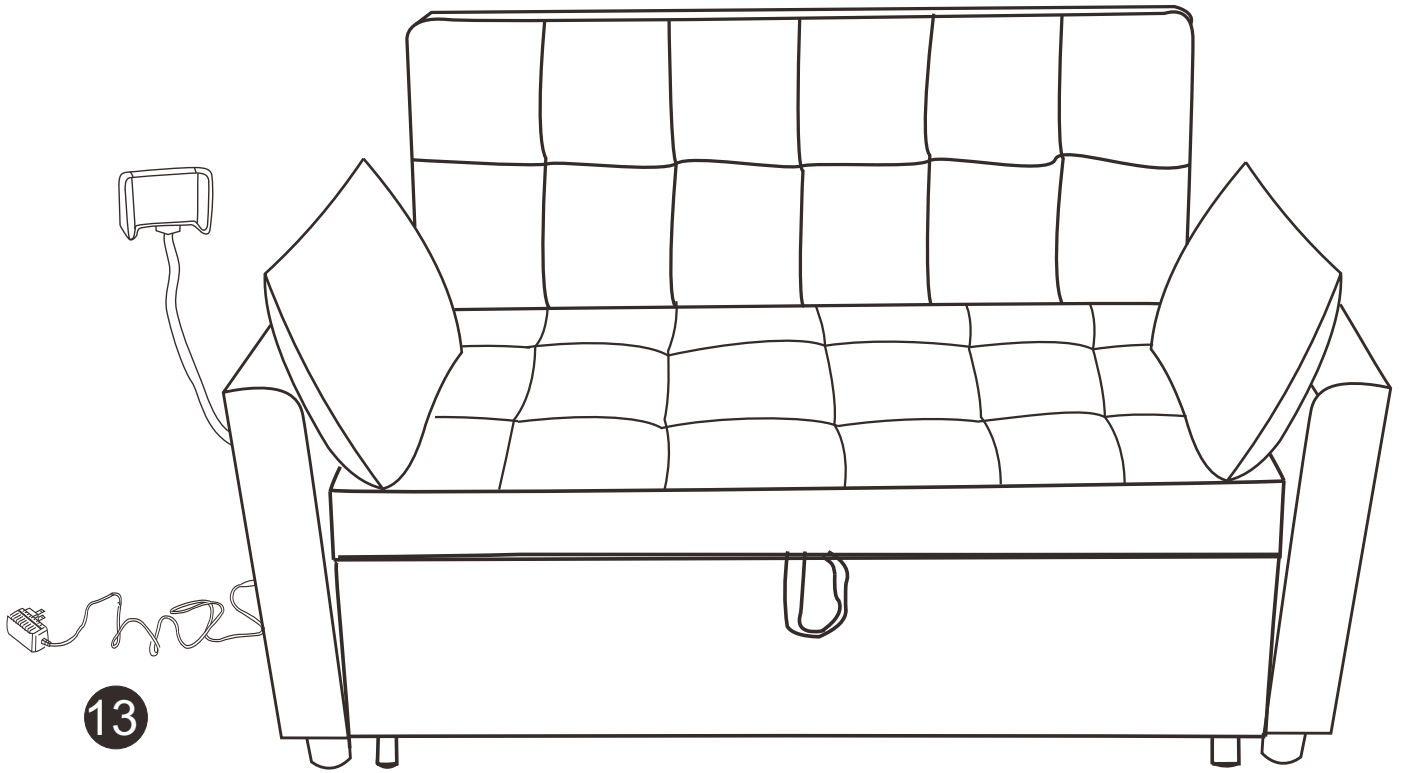


Step 17

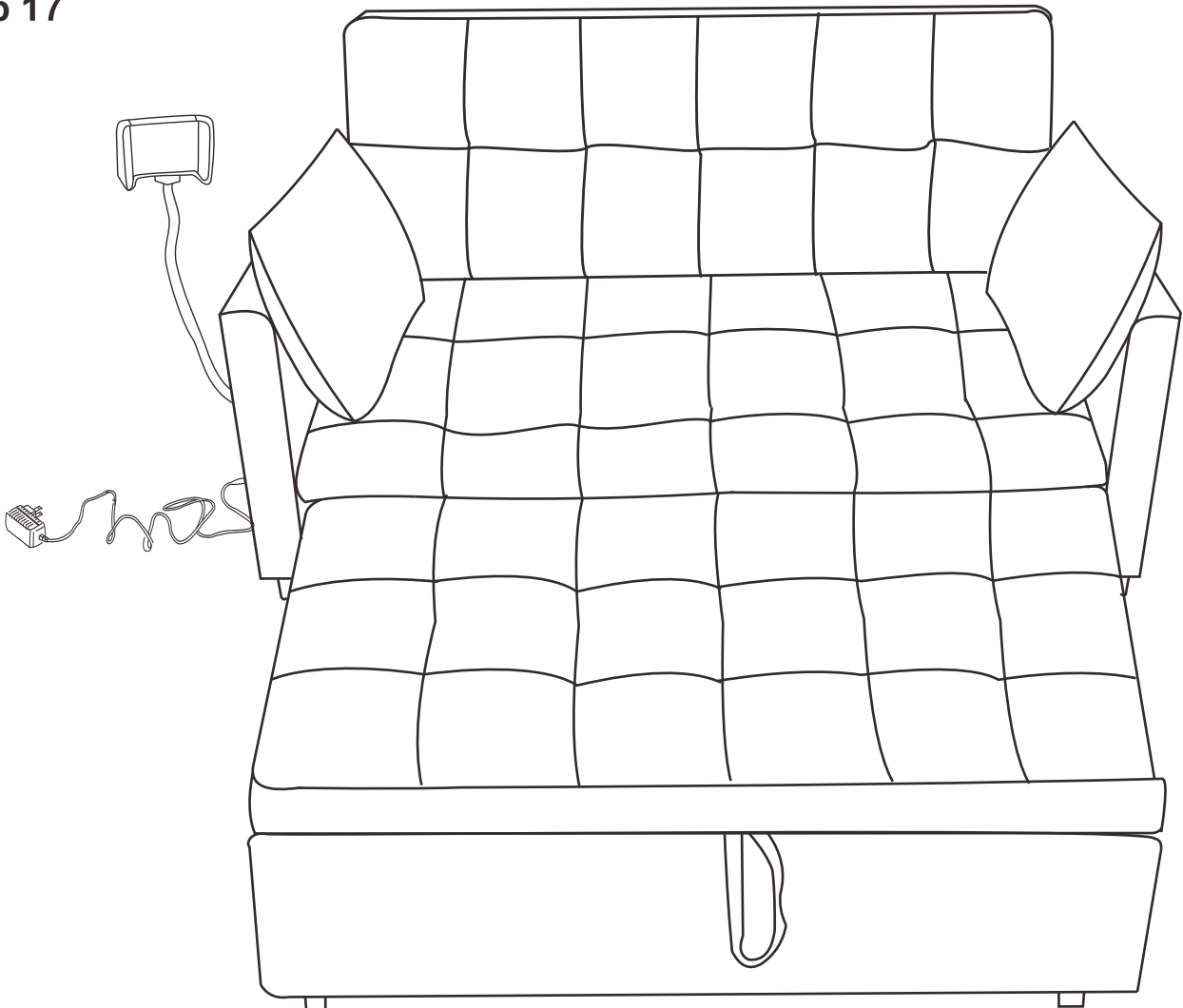


Insert the support ⑭ into the hole and then tighten with ⑨.

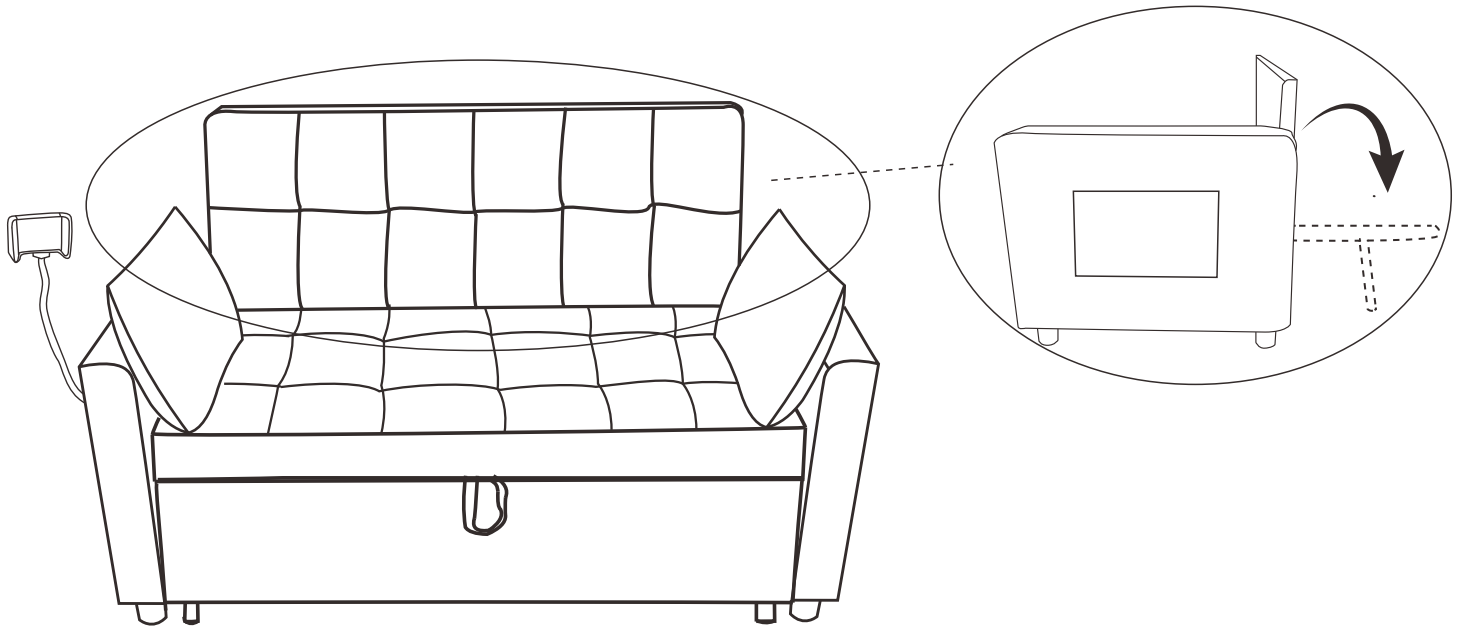
Step 16



Step 17



Tip 1: The sofa has a backrest adjustment function, which can be adjusted according to demand. Push the backrest of the sofa forward forcefully, then lower the iron bracket to change its shape.



Tip 2: When using as a sofa bed, use the backrest cushion in reverse.

