

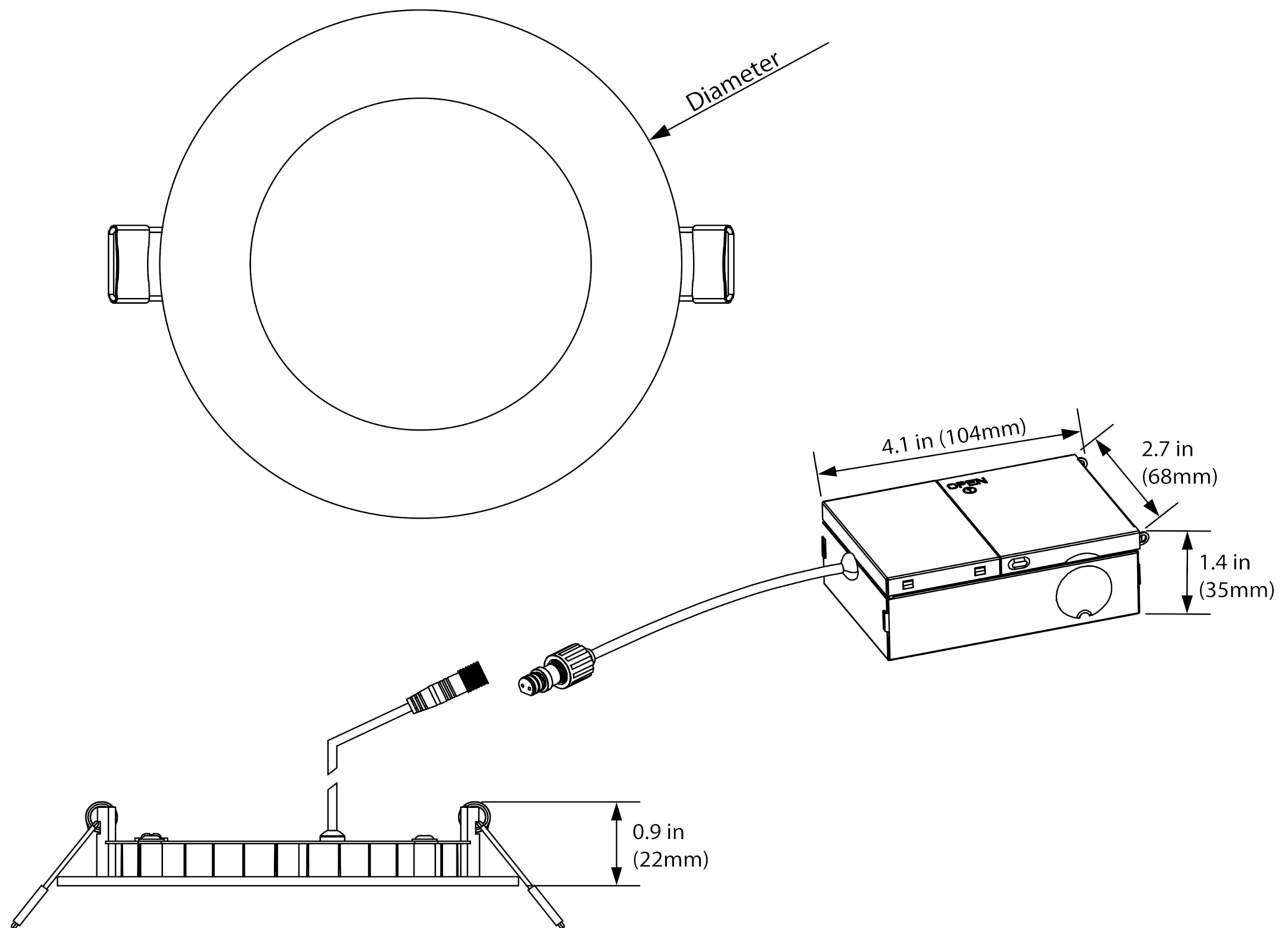


WARNING:

- Risk of electric shock. Disconnect power at fuse or circuit breaker before installing or servicing.
- To prevent early lamp failure, lamp should only be installed in operating environments between -20°C and +40°C (104°F and -4°F)
- No user serviceable parts inside. To avoid electric shock, do not disassemble product.
- This product is not intended for use in emergency light fixtures or exit signs.
- Risk of fire or electrical shock. Install this kit only in luminaires that have the construction features and dimensions shown in the photographs and/or drawings.
- To prevent wiring damage or abrasion, do not expose wiring to edges of sheet metal or other sharp object

ATTENTION:

- Turn power off before inspection, installation, or removal.
- Suitable for use in dry, damp or wet indoor and outdoor locations. Use only on 120 VAC, 60Hz circuits.



Dimensions

Fixture	Diameter
REL 4	4.7 in (120mm)
REL 6	6.7 in (170mm)
REL 8	8.9 in (225mm)