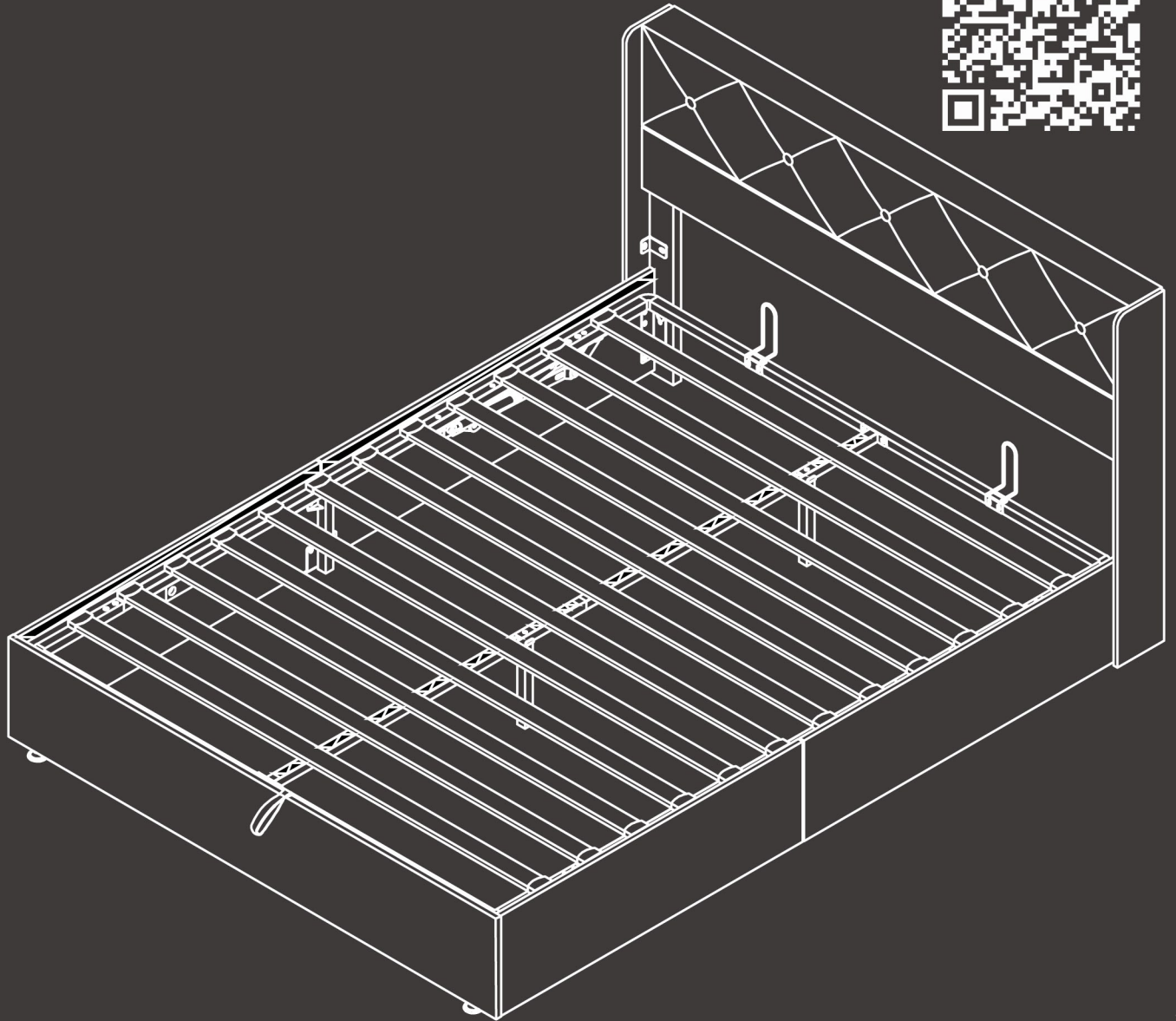


# Lift Up Storage Bed

## Instruction Manual

RBC-Q01-GY-Q



✉ [HJ-Customer-Service@outlook.com](mailto:HJ-Customer-Service@outlook.com)

☎ (909)637-7665 | (909)637-7593

EST 9:00AM--17:00PM

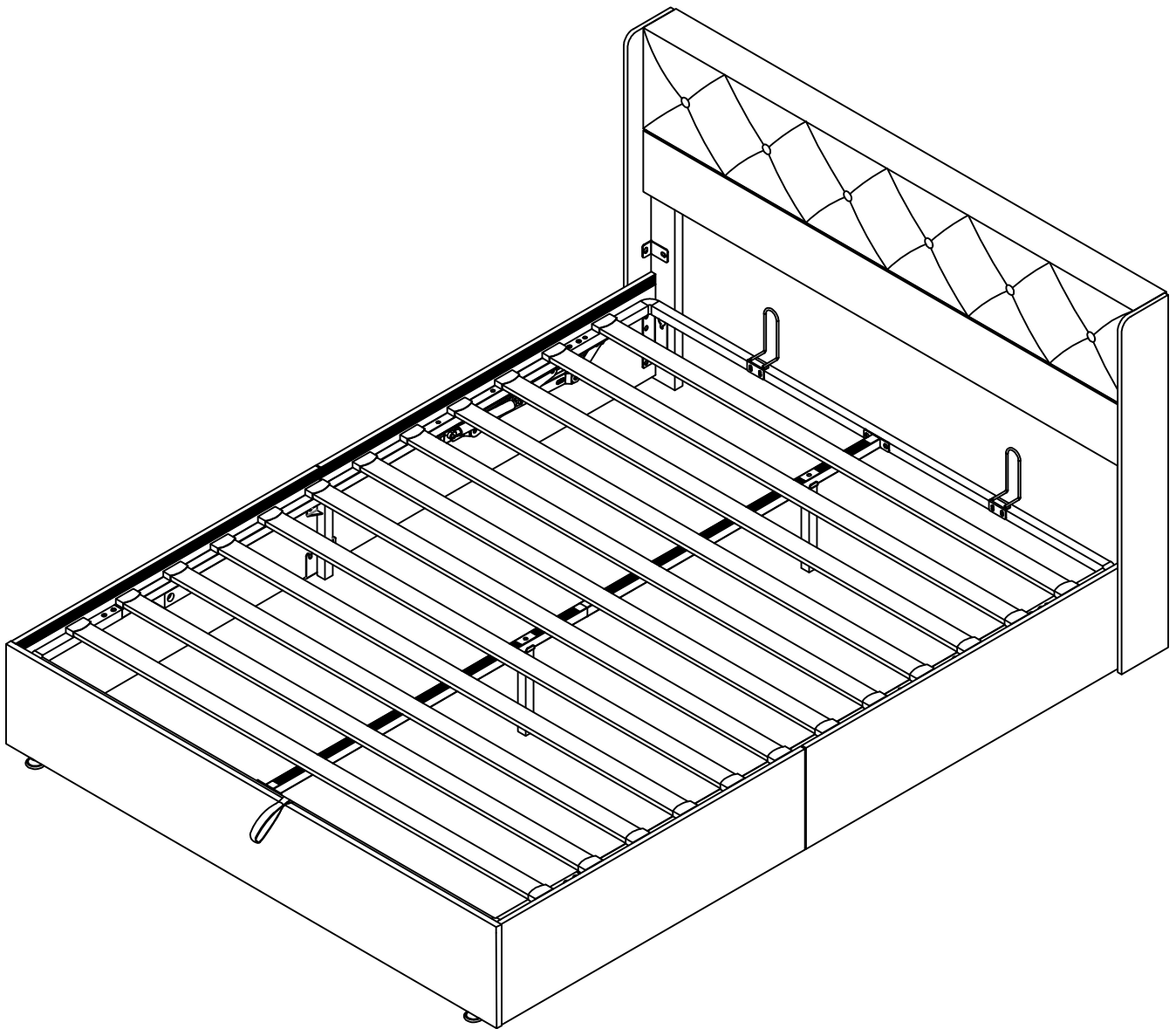
# Installation Manual

Please check that you have all the parts listed before you start assembling. If you find that something is missing, do not continue assembly. Please contact us immediately.

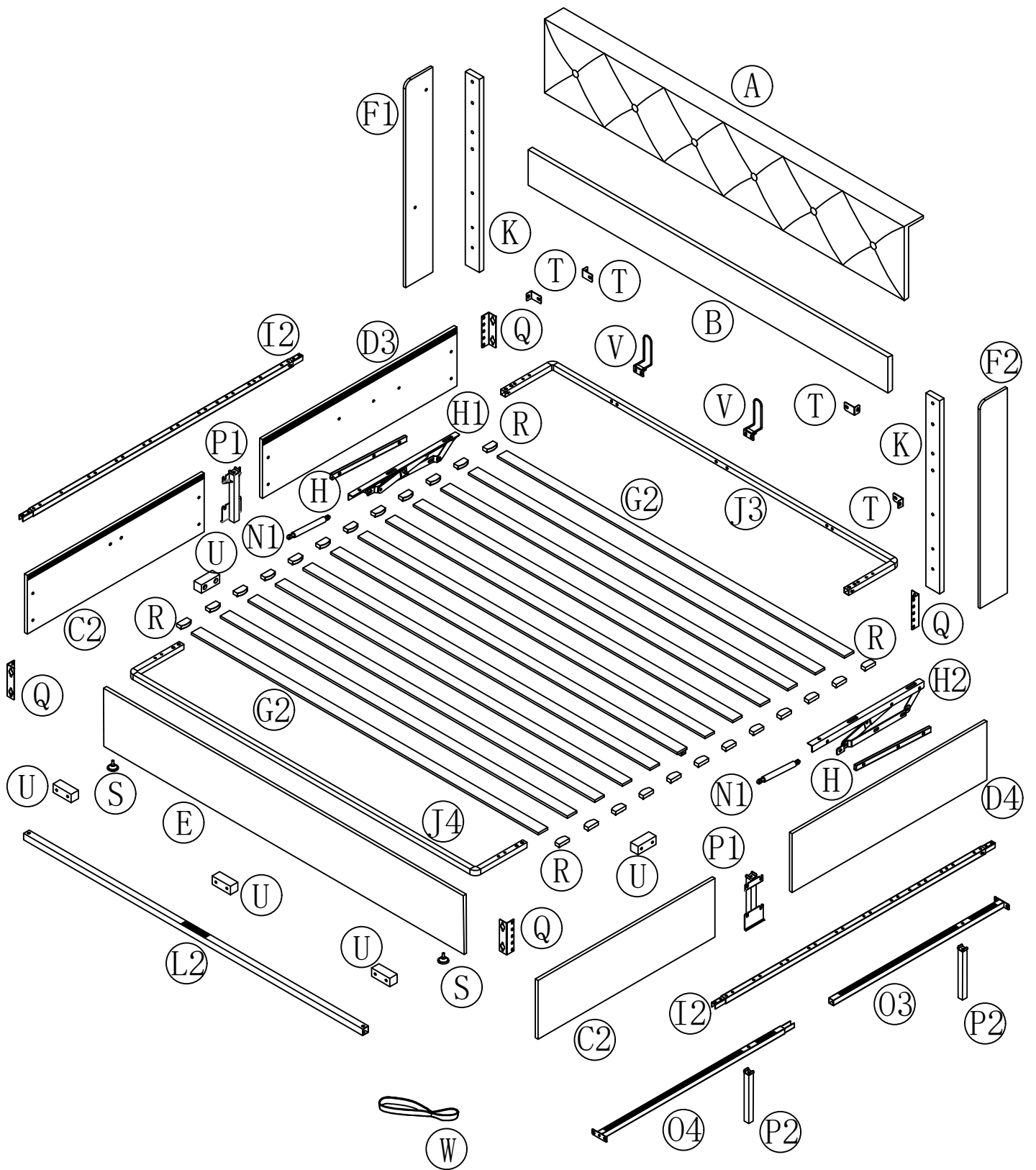
## NOTE:

1. When assembling, please do not fully tighten the screws one by one until you have ensured that all corresponding screws are in the correct positions.
2. The storage function is easier to operate after placing the mattress.

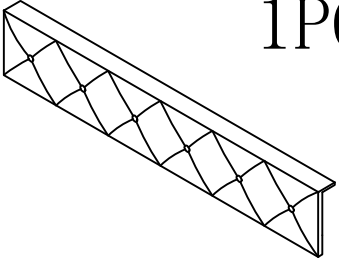
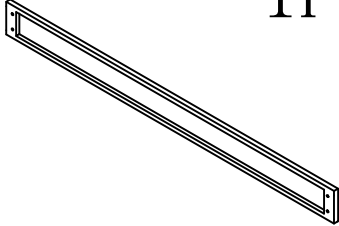
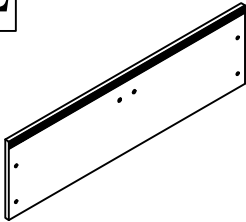
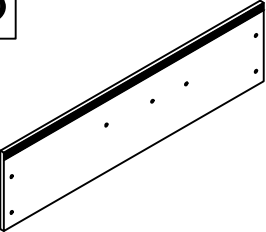
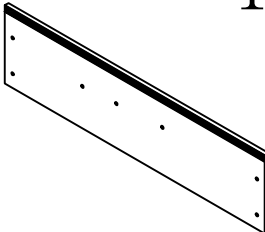
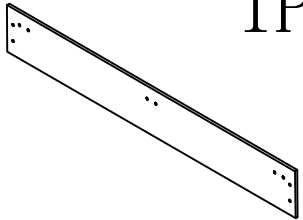


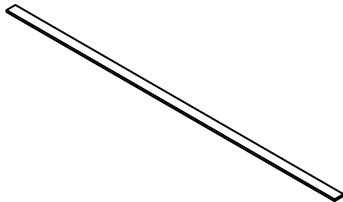
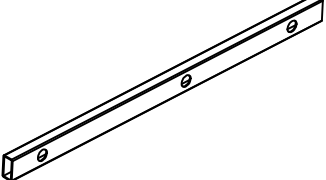
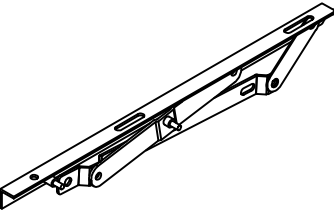
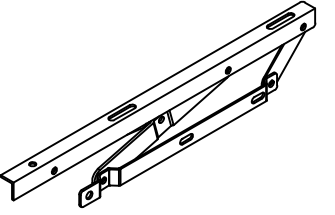
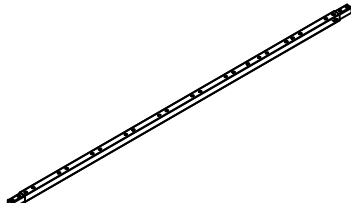
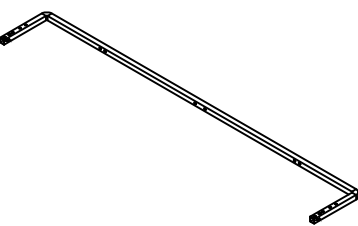
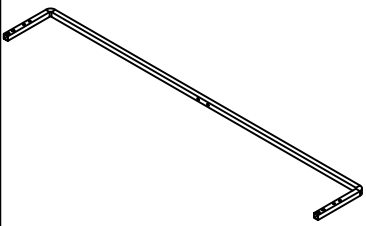

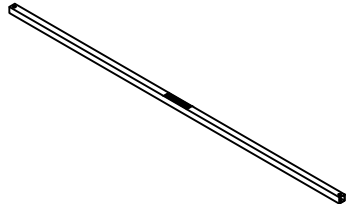
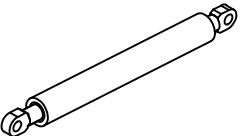
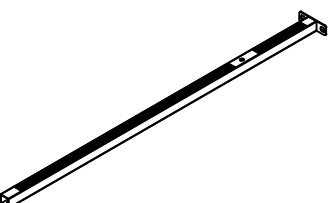
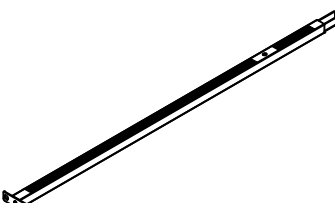
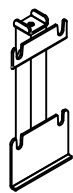

All parts are labeled with letters or alphanumeric codes for easy assembly. If you encounter any problems, please contact us promptly.

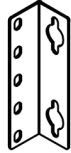
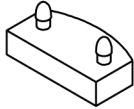
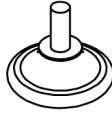
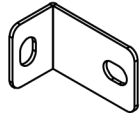
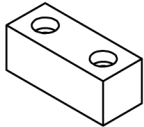
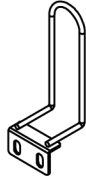



Please install strictly according to the instructions!

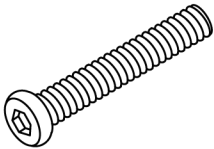
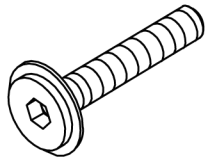
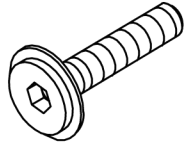
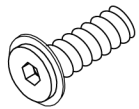
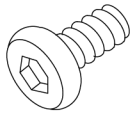
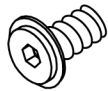
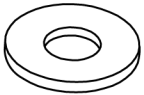

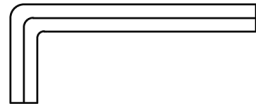
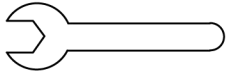


# Part list

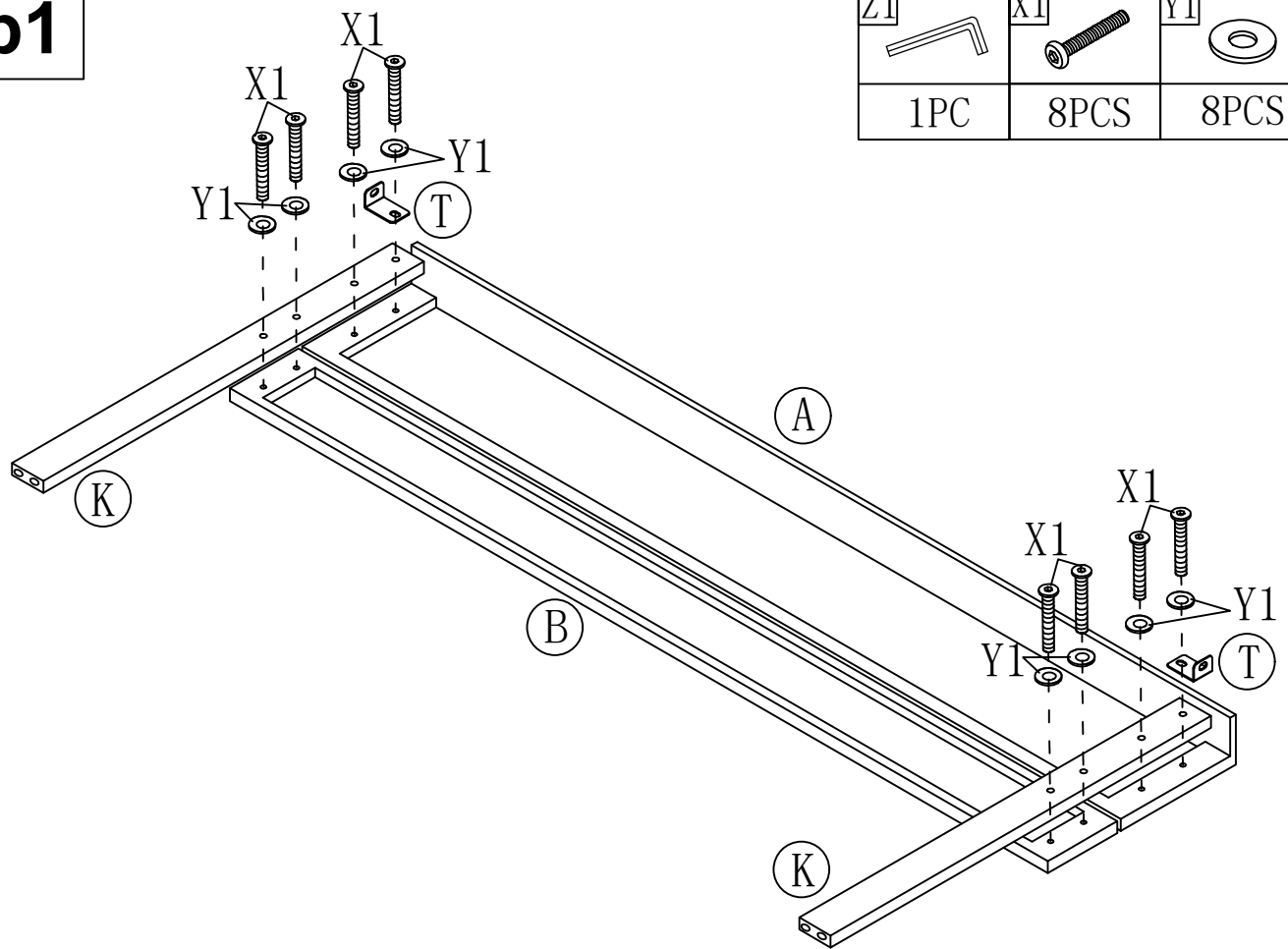
<p>A 1PC</p> 	<p>B 1PC</p> 	<p>C2 2PCS</p> 	
<p>D3 1PC</p> 	<p>D4 1PC</p> 	<p>E 1PC</p> 	
<p>F1 1PC</p> 	<p>F2 1PC</p> 	<p>G2 12PCS</p> 	<p>H 2PCS</p> 
<p>H1 1PC</p> 	<p>H2 1PC</p> 	<p>I2 2PCS</p> 	<p>J3 1PC</p> 
<p>J4 1PC</p> 	<p>K 2PCS</p> 	<p>L2 1PC</p> 	<p>N1 2PCS</p> 
<p>O3 1PC</p> 	<p>O4 1PC</p> 	<p>P1 2PCS</p> 	<p>P2 2PCS</p> 

Q	4PCS	R	24+2PCS	S	2PCS	T	4PCS
							
U	5PCS	V	2PCS	W	1PC		
							

### Hardware list

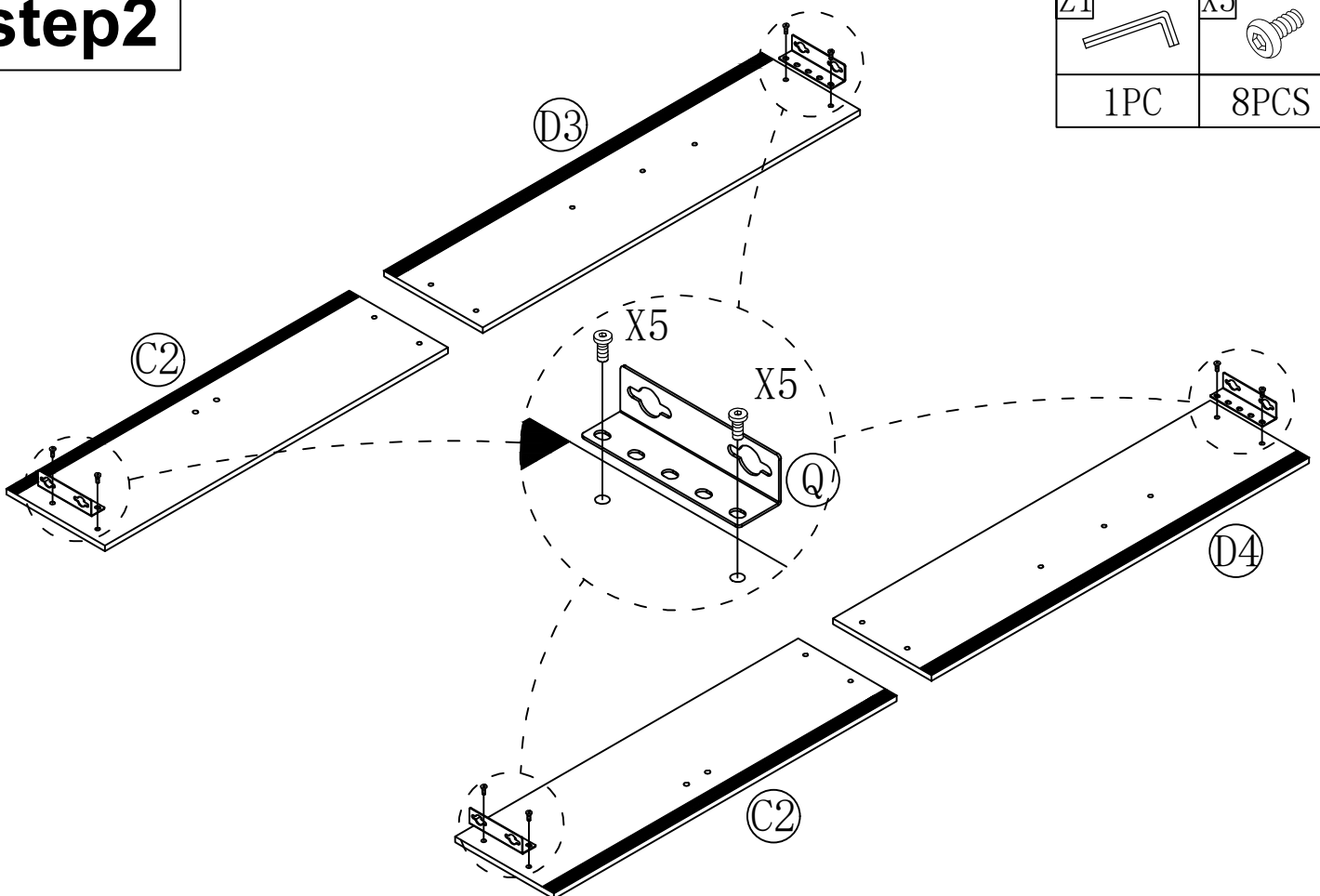
X1	8+1PCS	X2	4PCS	X3	16+2PCS		
							
M8*50mm		M8*45mm		M8*40mm			
X4	10+1PCS	X5	36+3PCS	X6	8+1PCS		
							
M8*30mm		M8*16mm		M8*14mm			
Y1	8+1PCS	Y2	10+1PCS	Z1	1PC	Z2	1PC
							
22*8.5		M8		M5		M13	

# step1



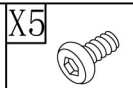
Z1	X1	Y1
1PC	8PCS	8PCS

# step2

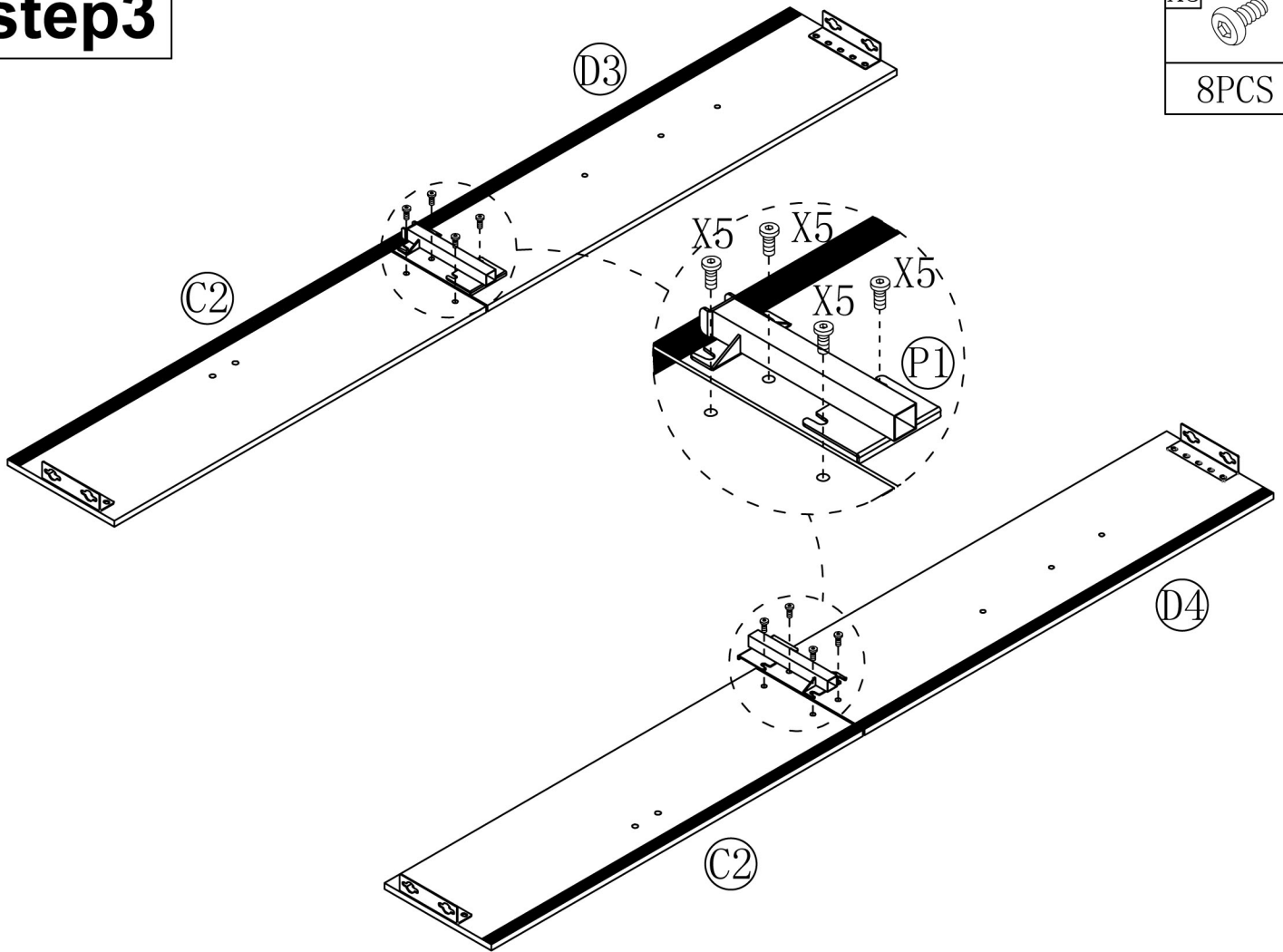


Z1	X5
1PC	8PCS

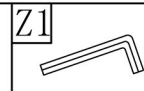
# step3



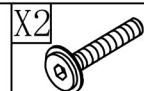
8PCS



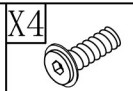
# step4



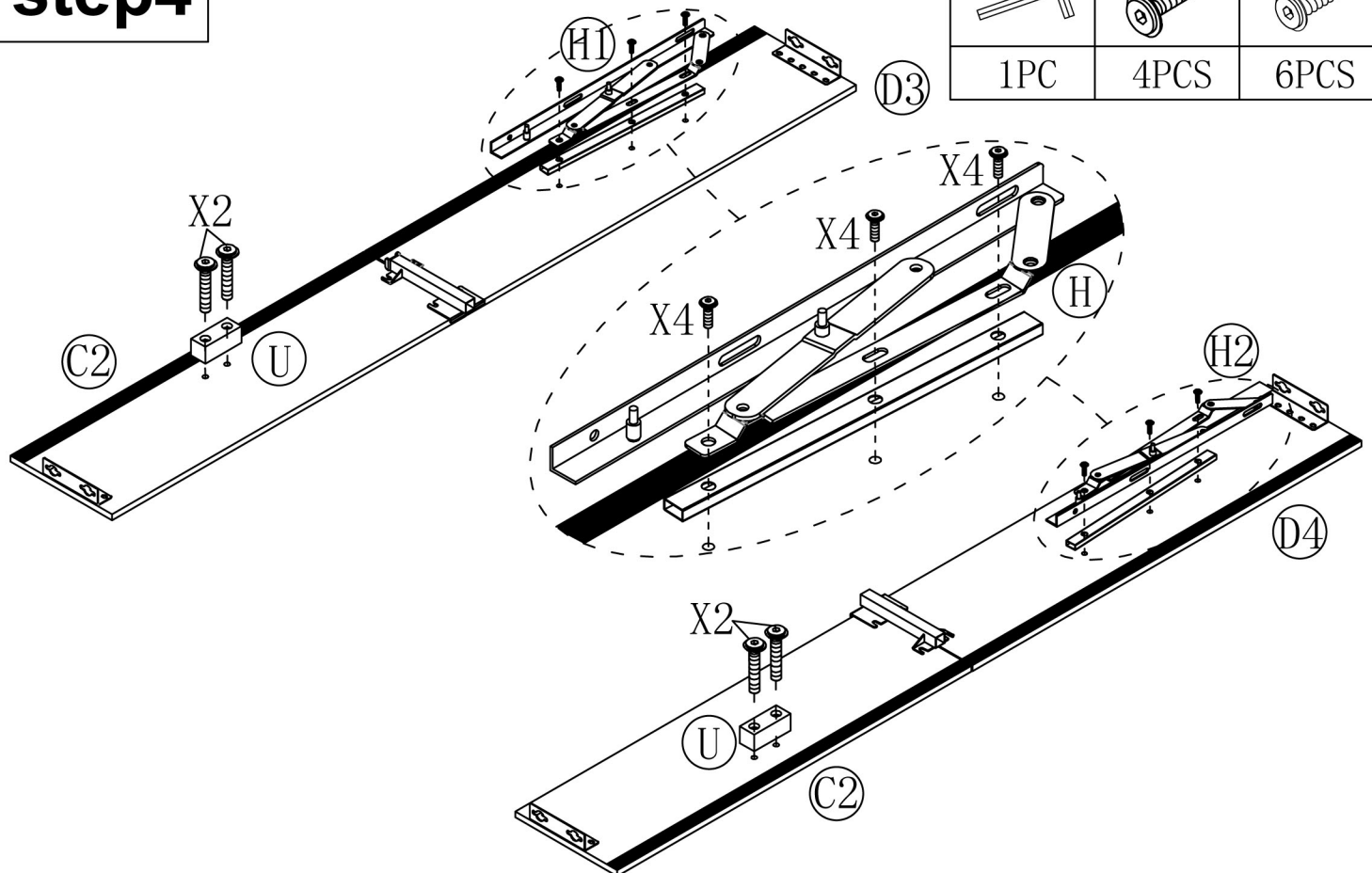
1PC






4PCS

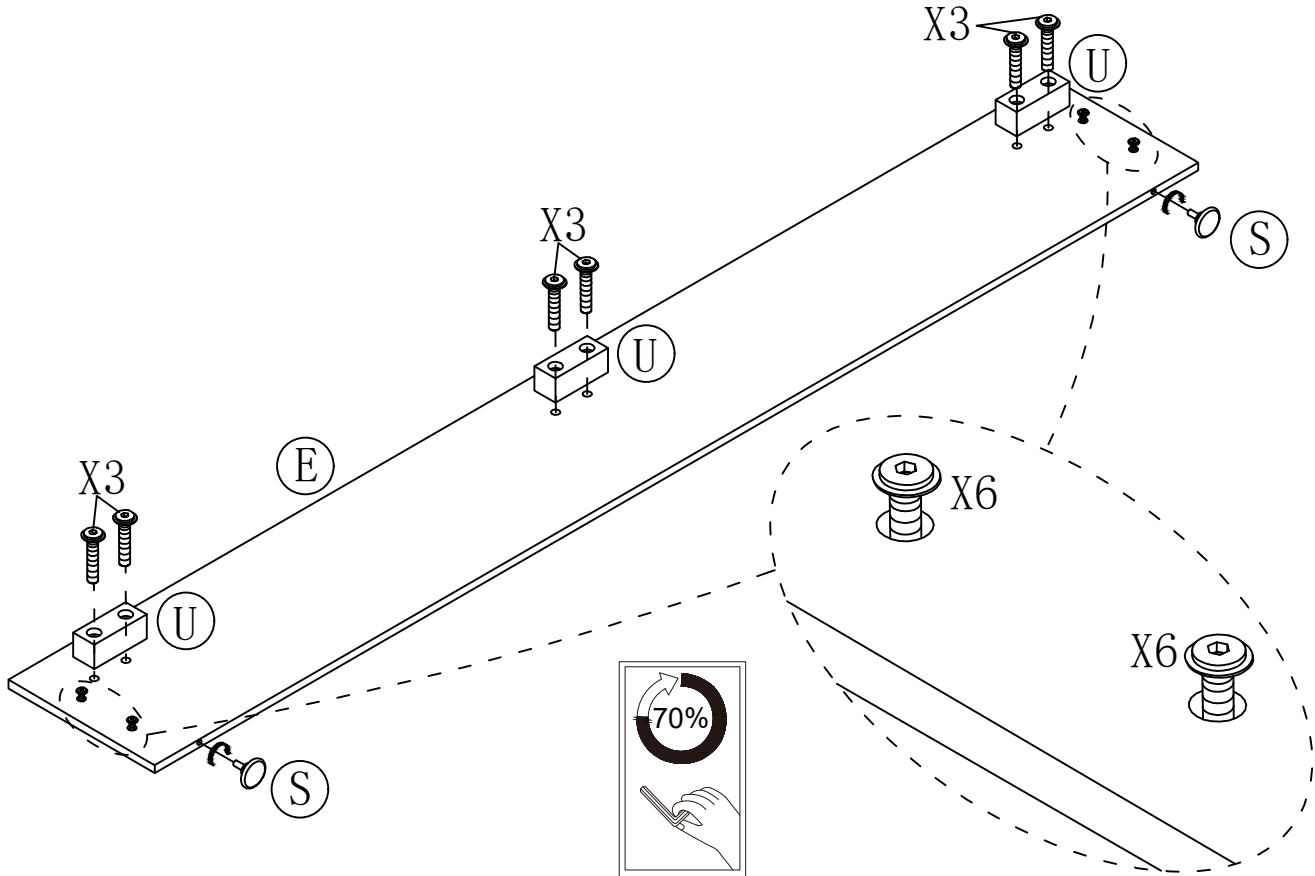


6PCS





# step5

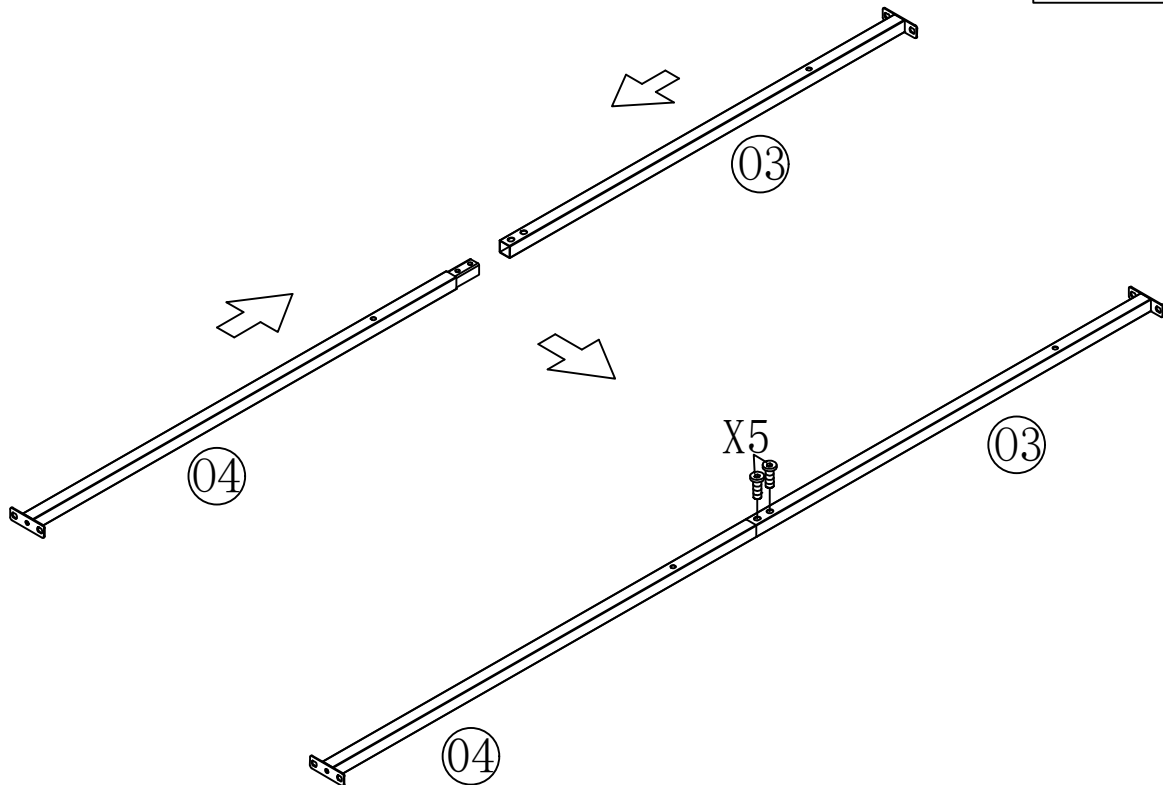
Z1	X3	X6
		
1PC	6PCS	4PCS



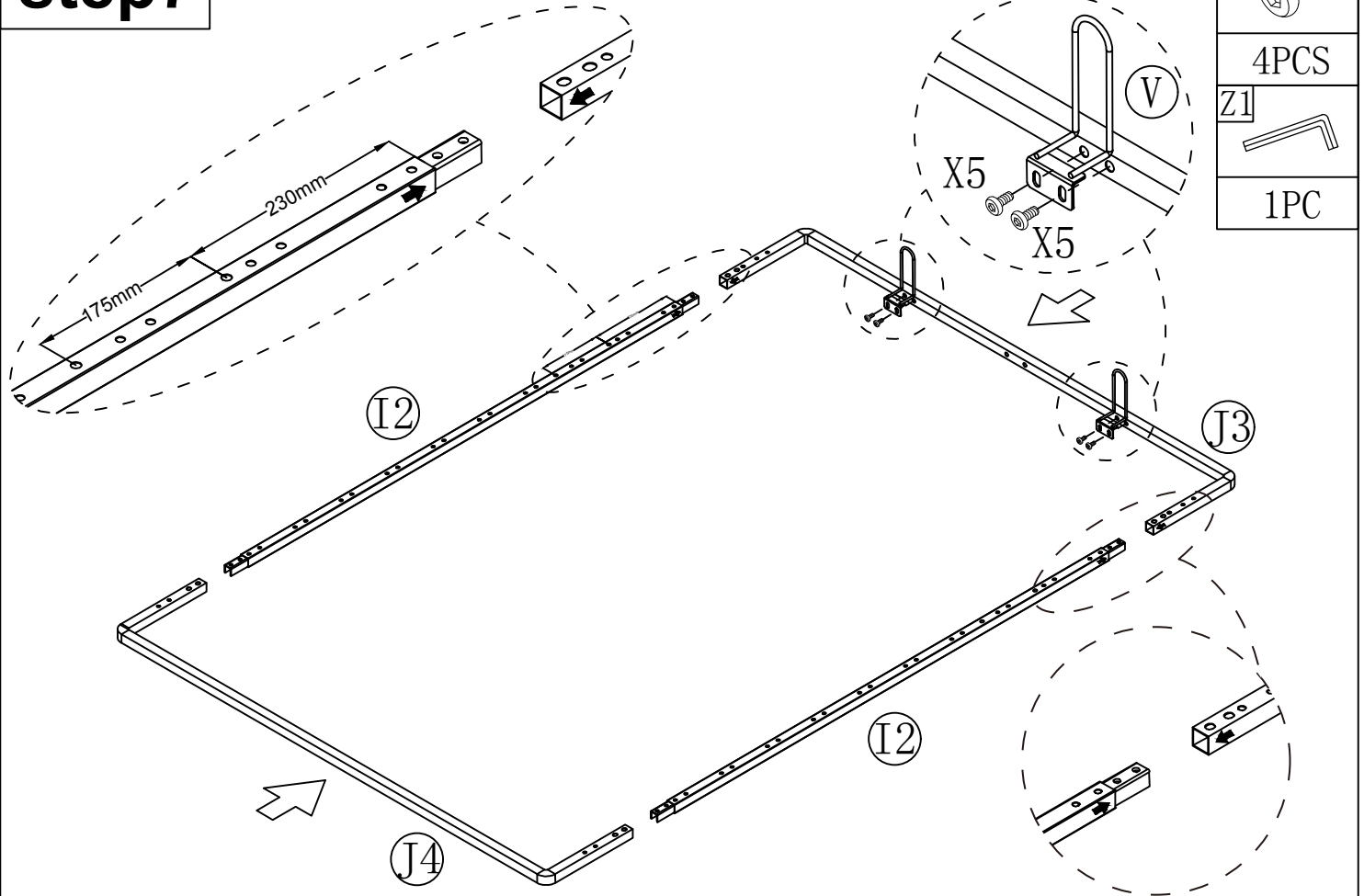
Tighten the X6 screws by 70%

# step6

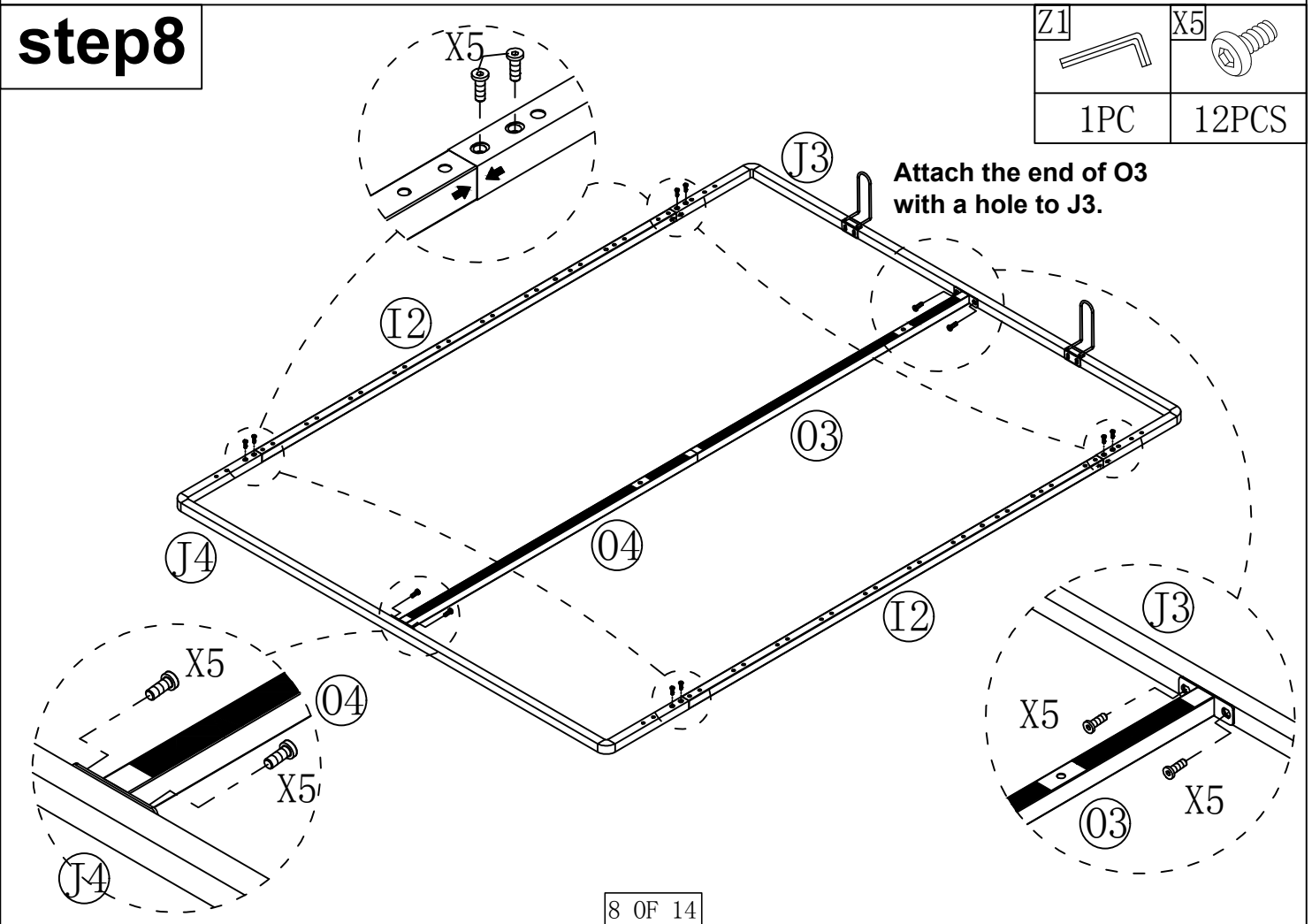
Z1	X5
	
1PC	2PCS



# step7

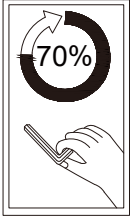


# step8

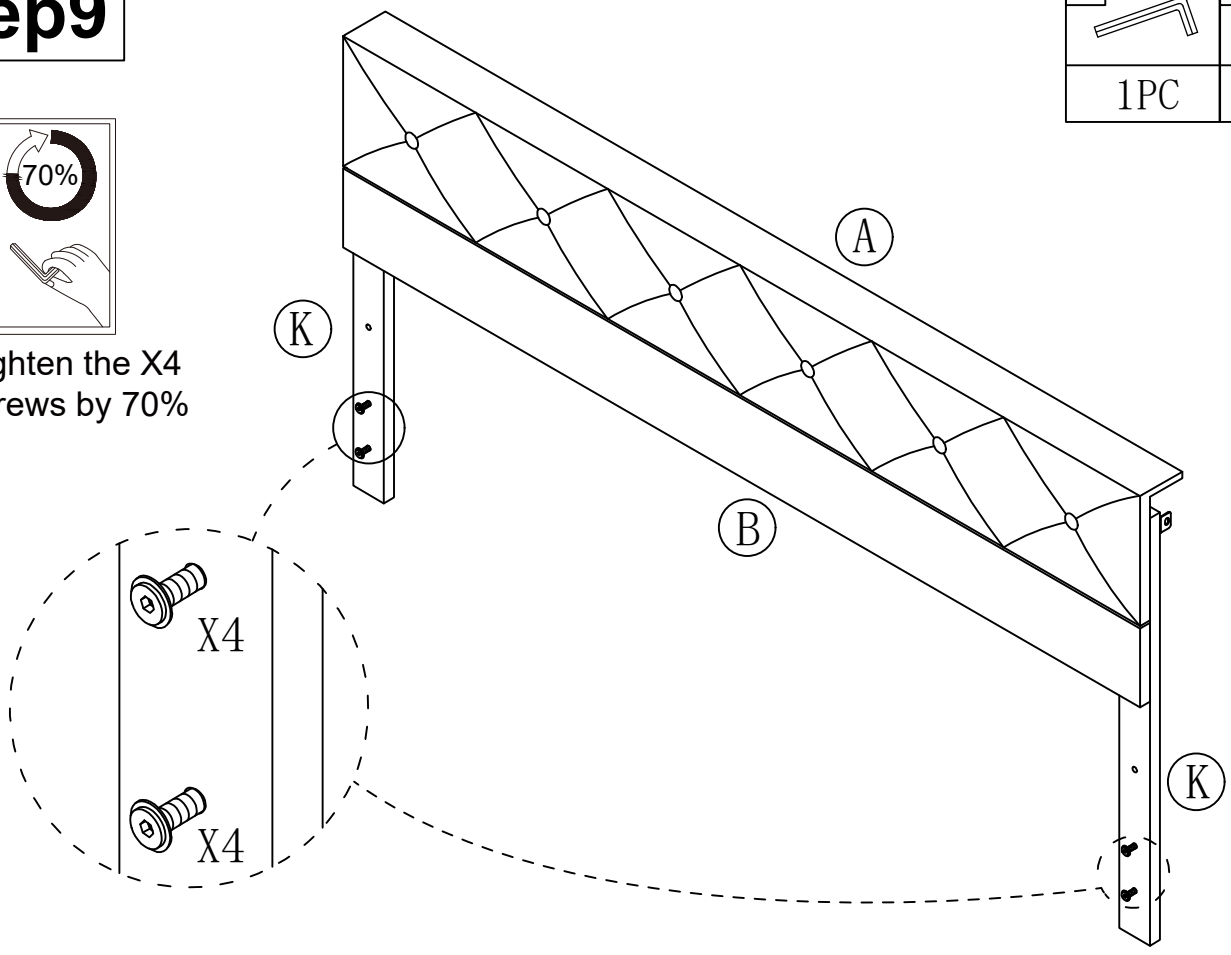


# step9

Z1	X4
1PC	4PCS

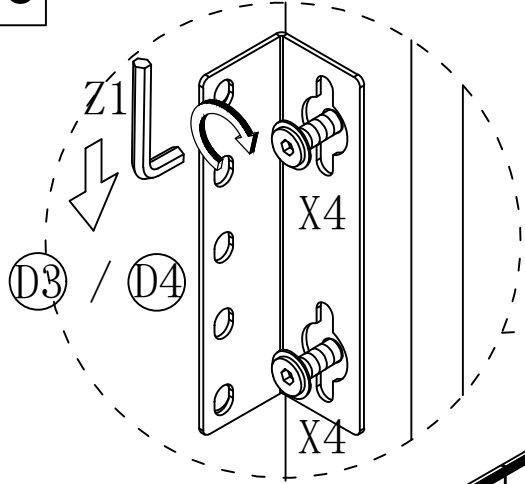


Tighten the X4 screws by 70%

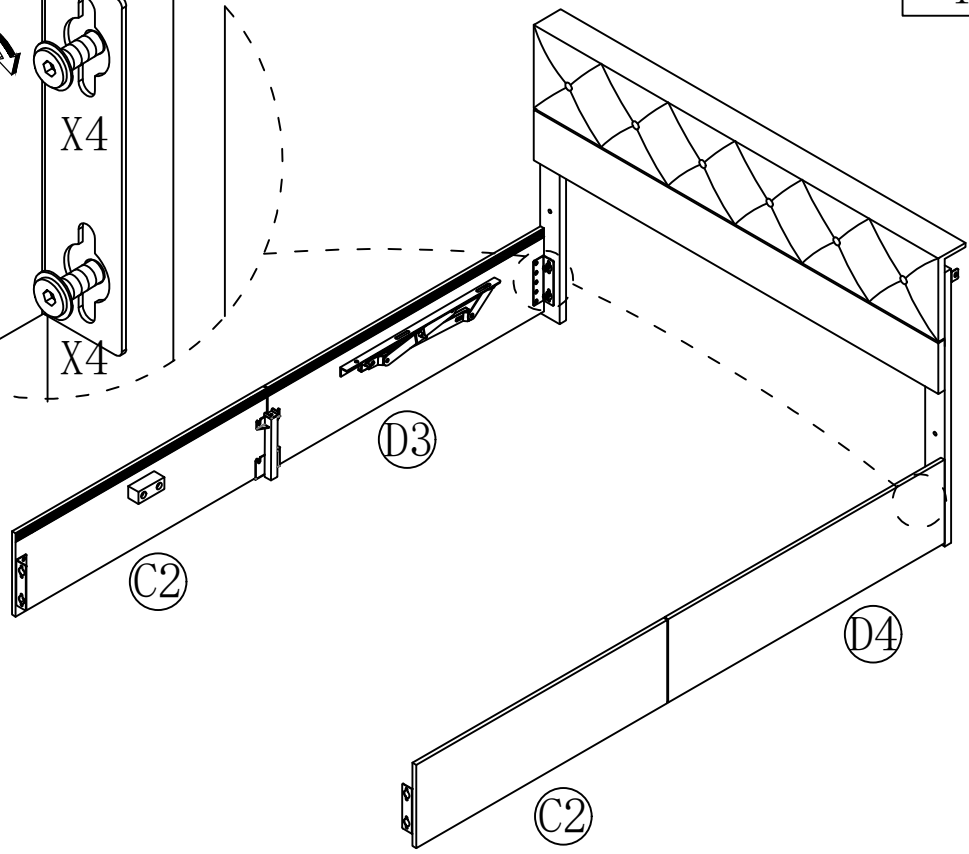


# step10

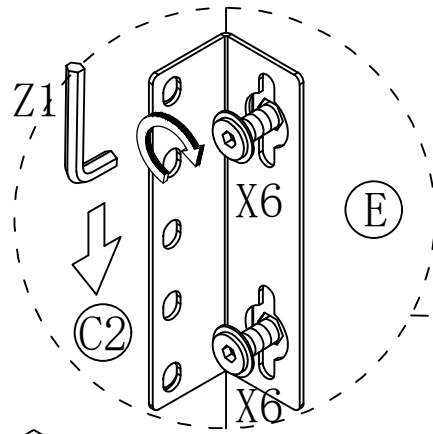
Z1
1PC



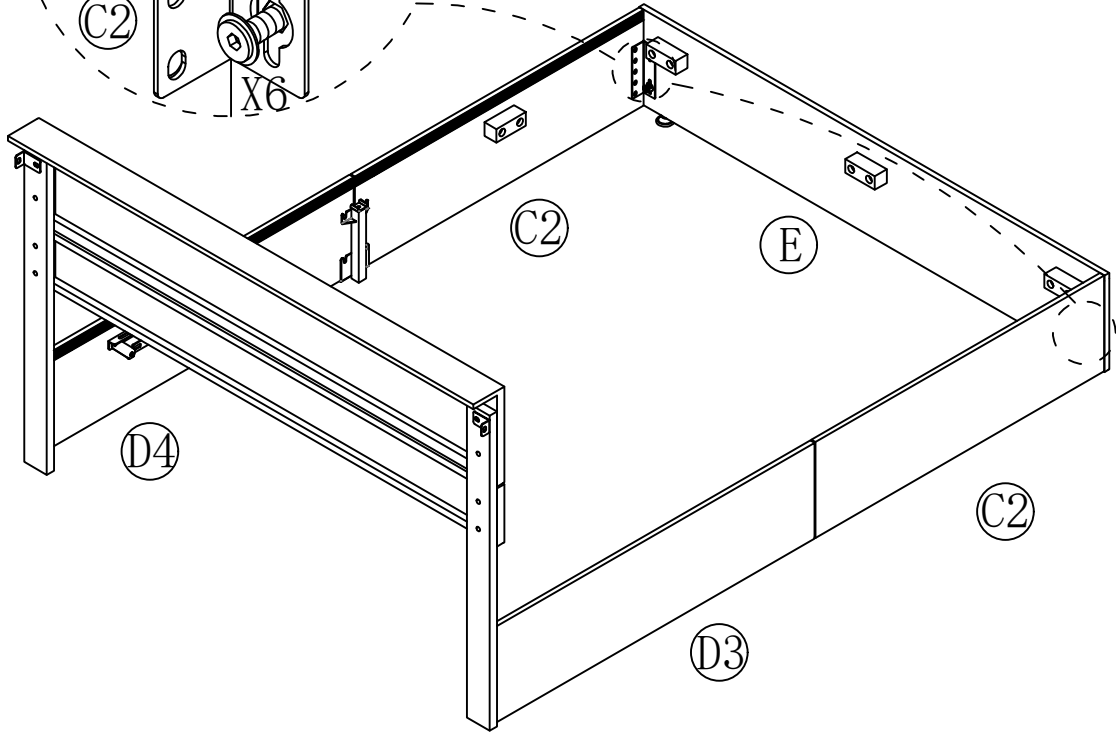
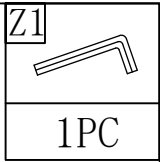
Tighten the X4 screws by 100%



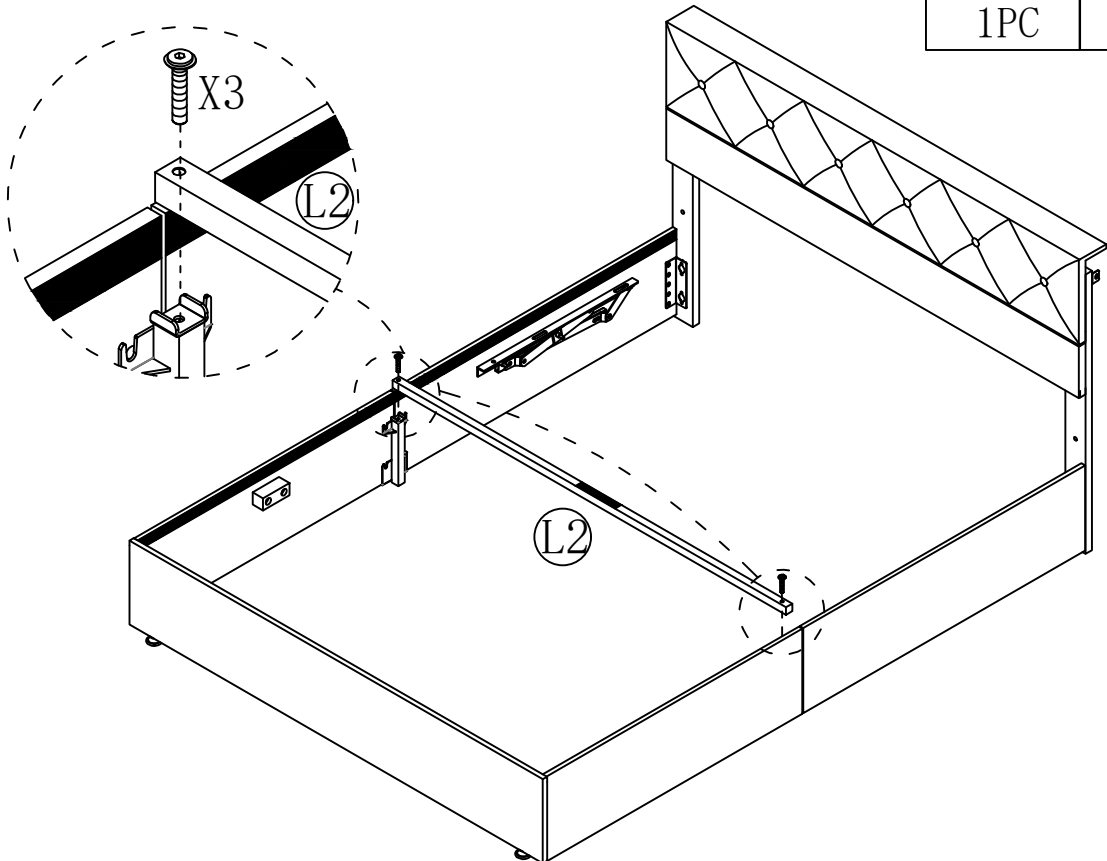
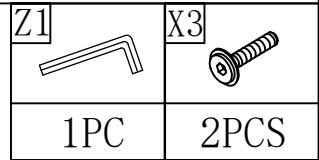
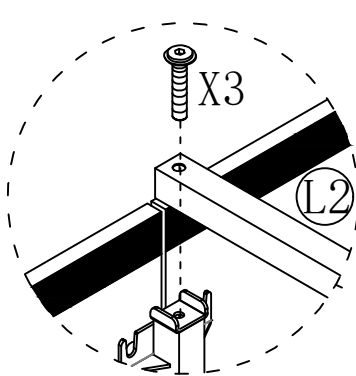
# step11





Tighten the X6 screws by 100%

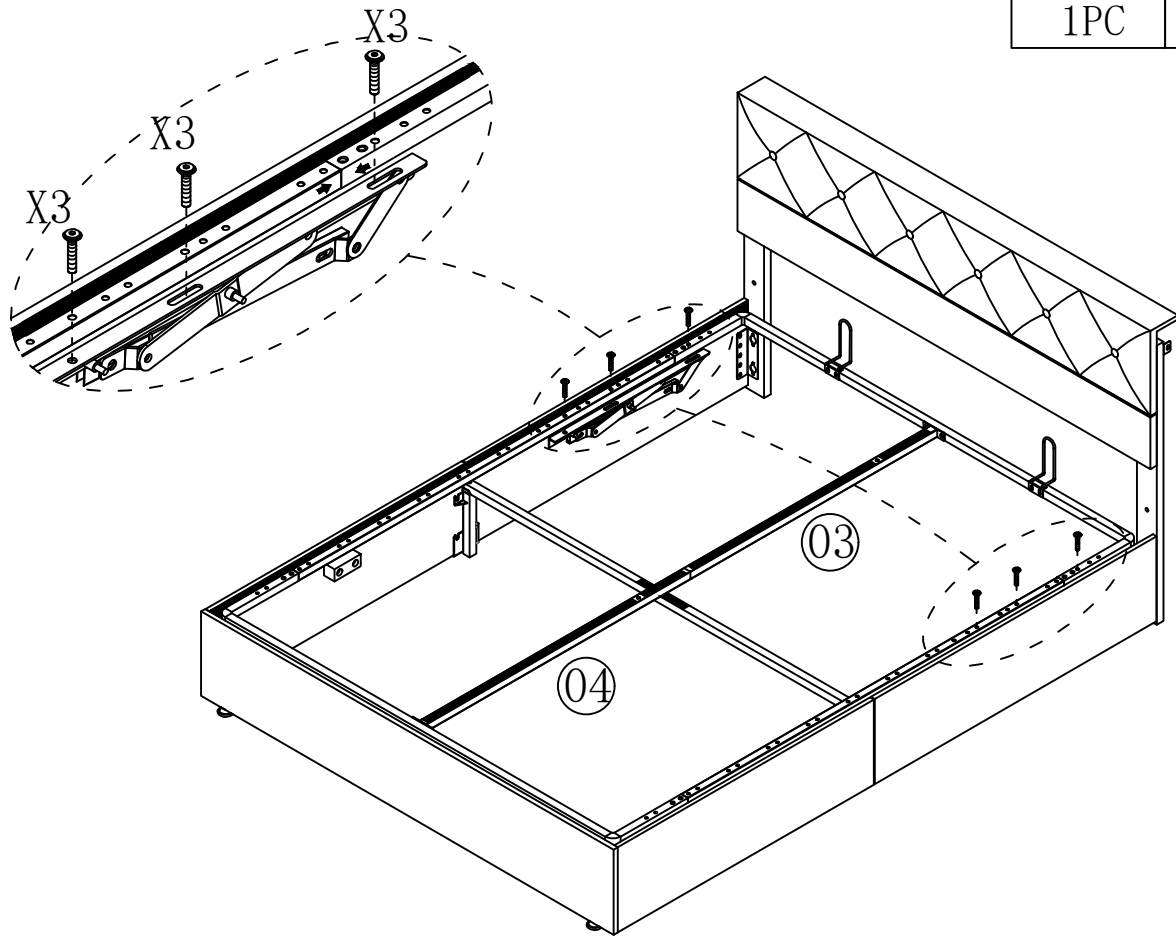


# step12

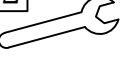



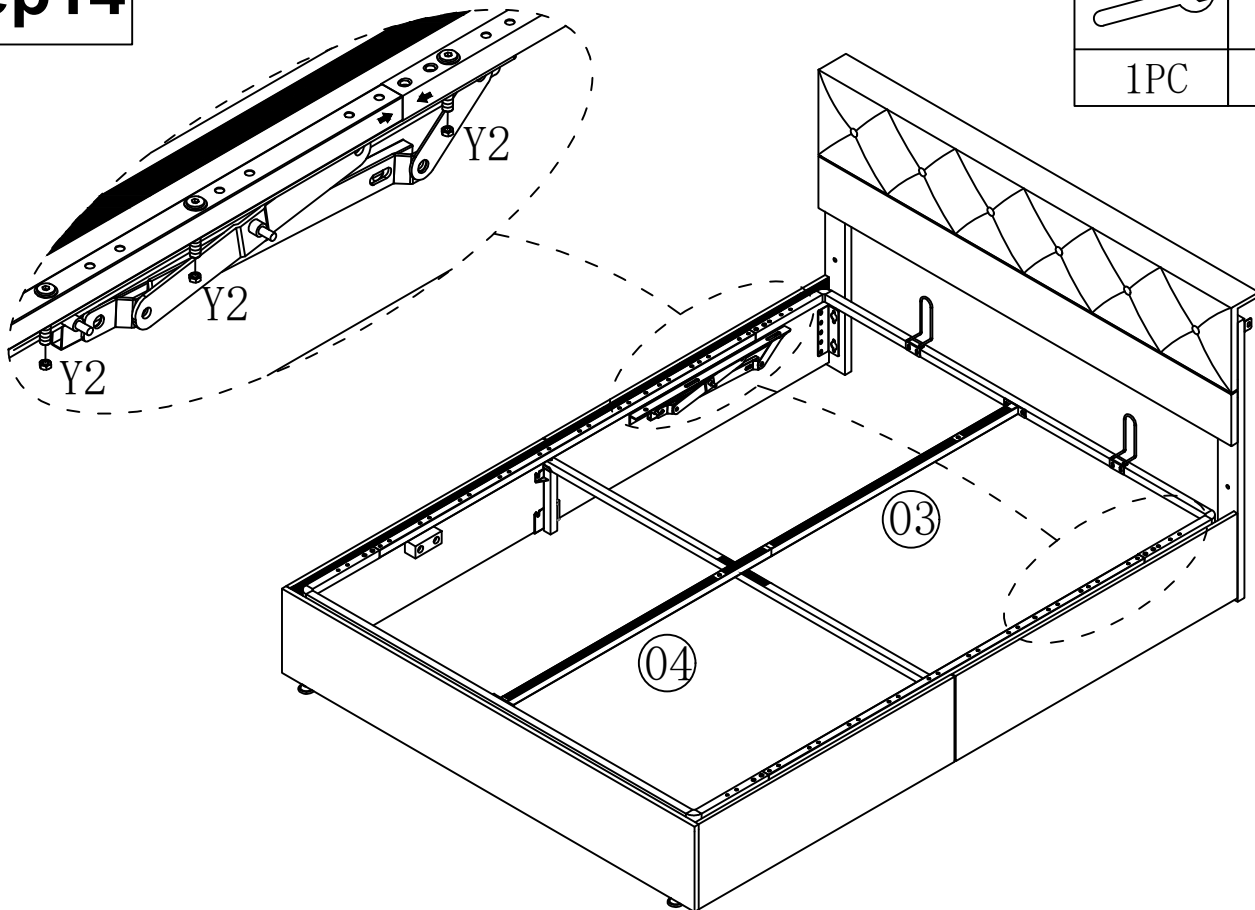
# step13

Z1	X3
	
1PC	6PCS





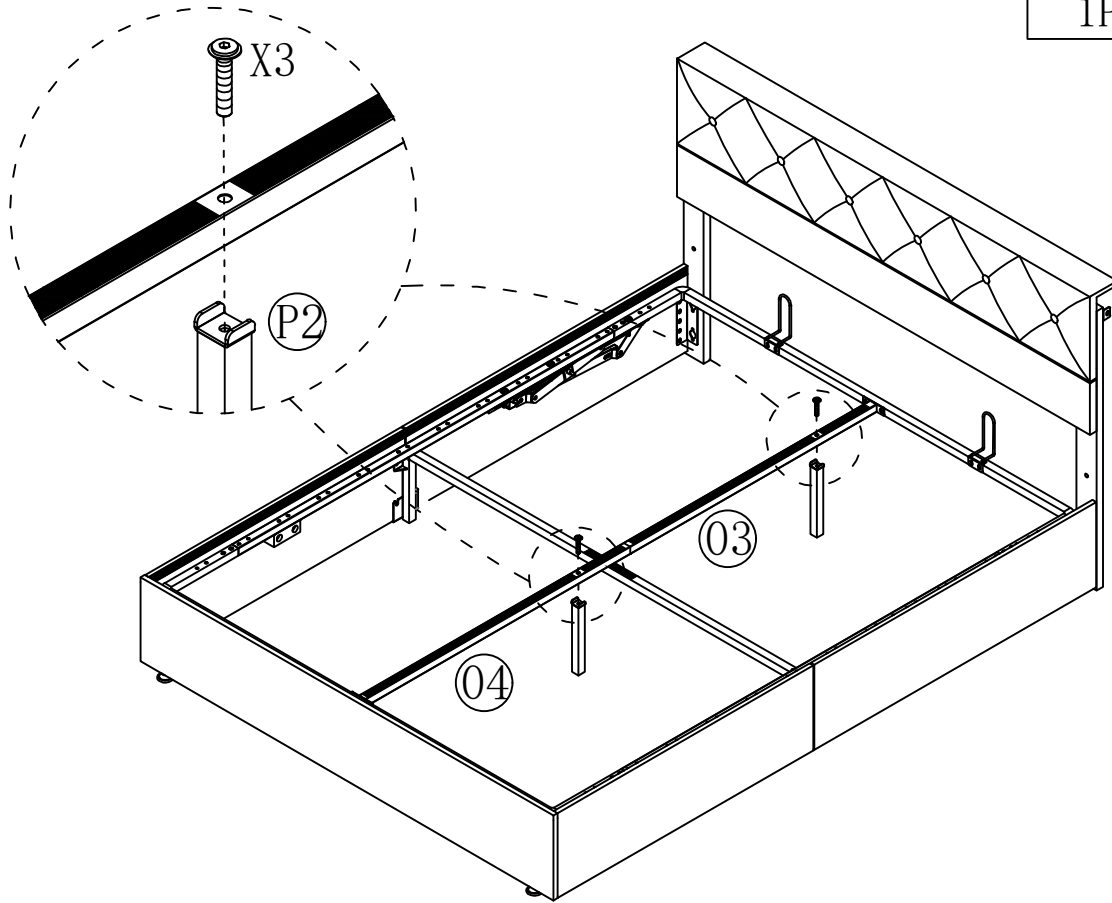
# step14

Z2	Y2
	
1PC	6PCS

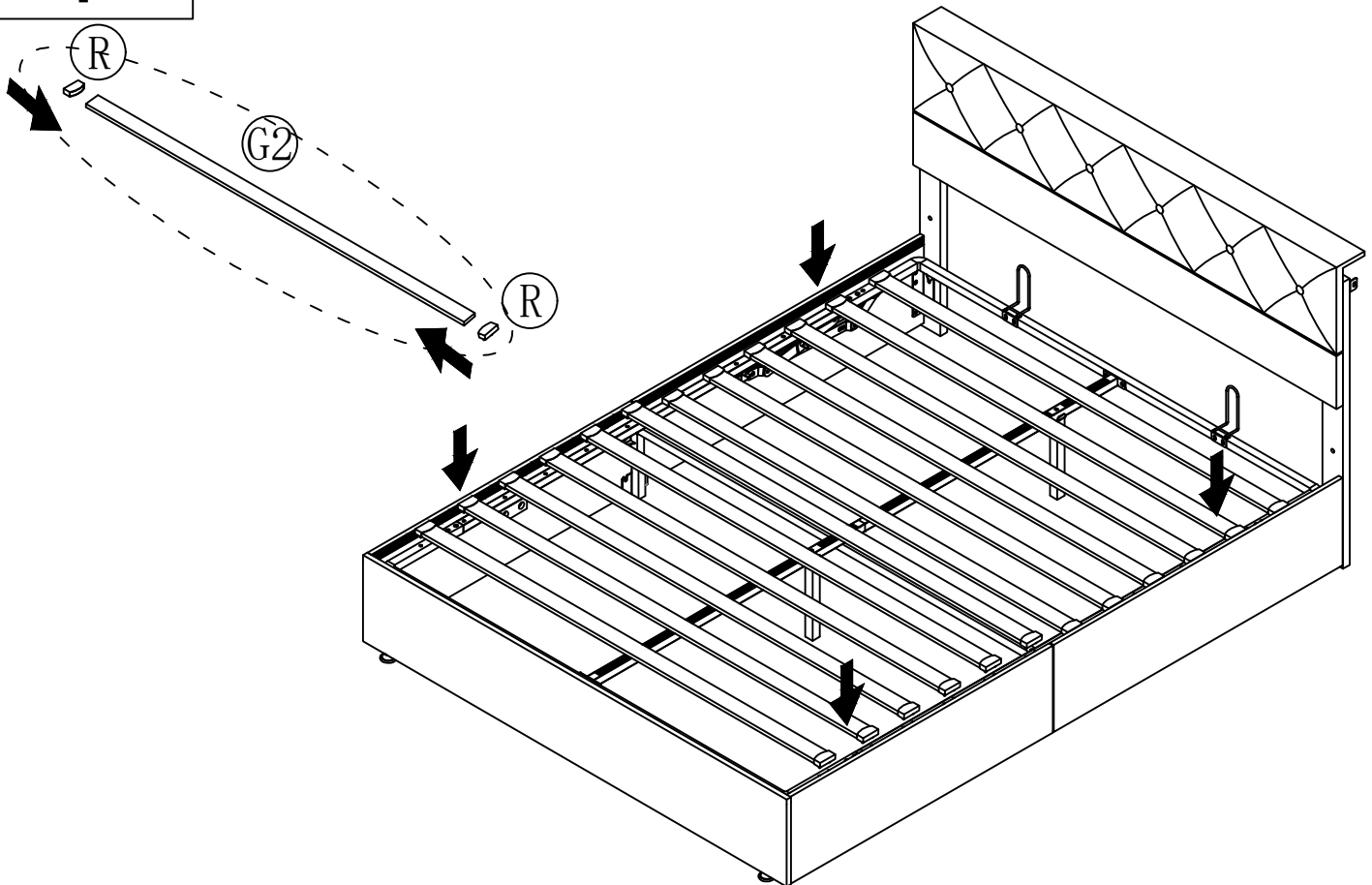


# step15



Z2	X3
	
1PC	2PCS

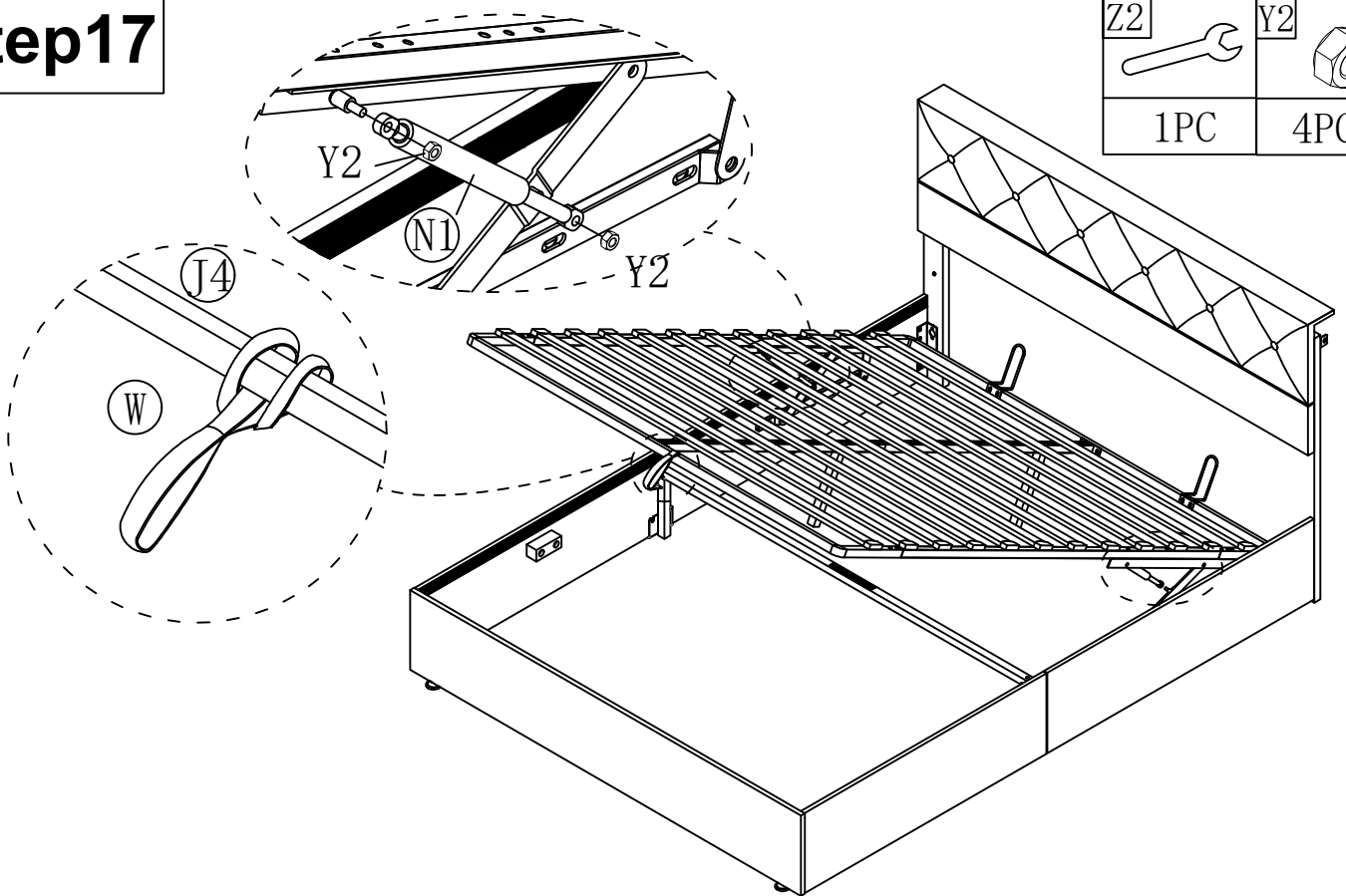


# step16



# step17



Z2	Y2
	
1PC	4PCS

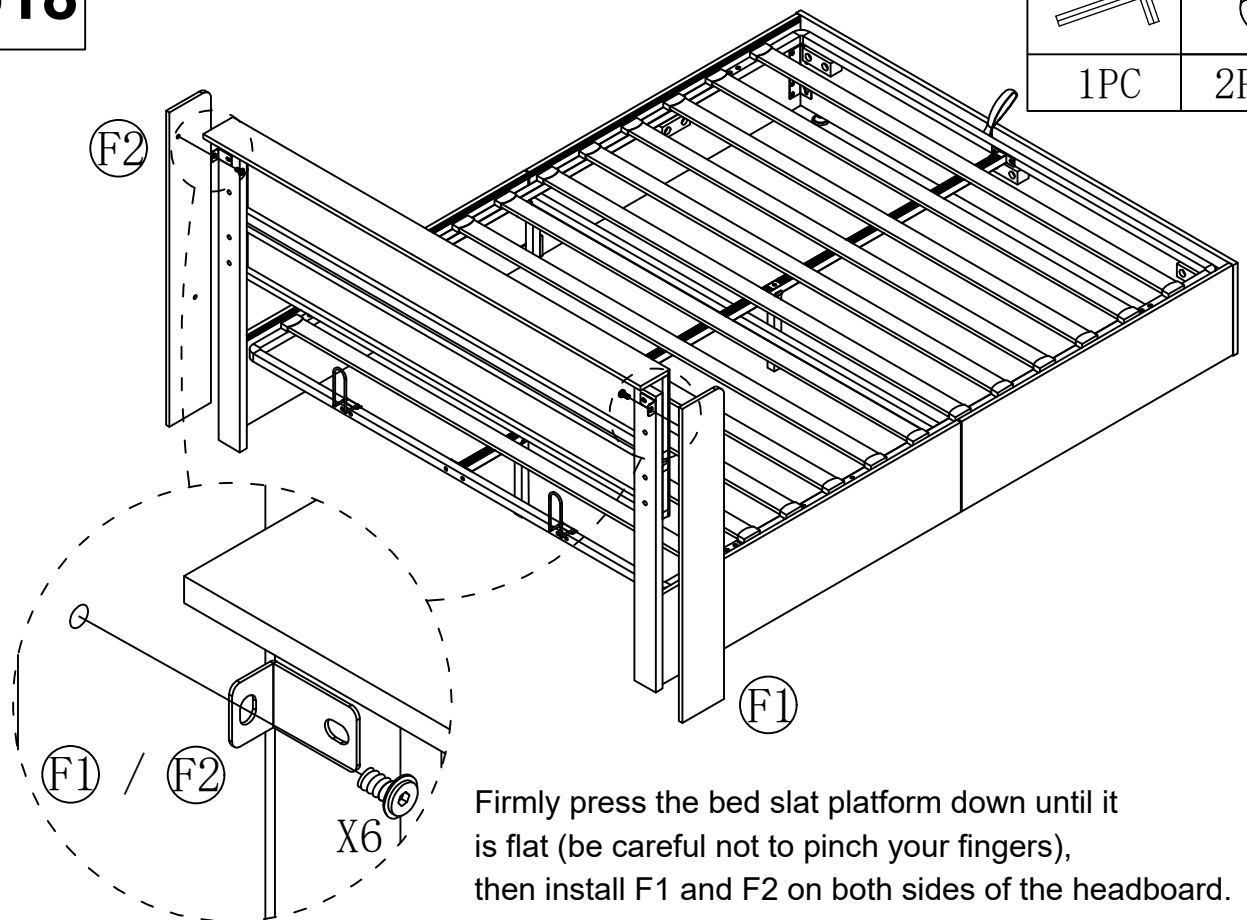


Pull up the bed slats to raise the hydraulic rods (being careful not to hit your head), then tie strap (W) in place.

NOTE: You can pull strap (W) to raise the hydraulic rods after placing the mattress.




# step18

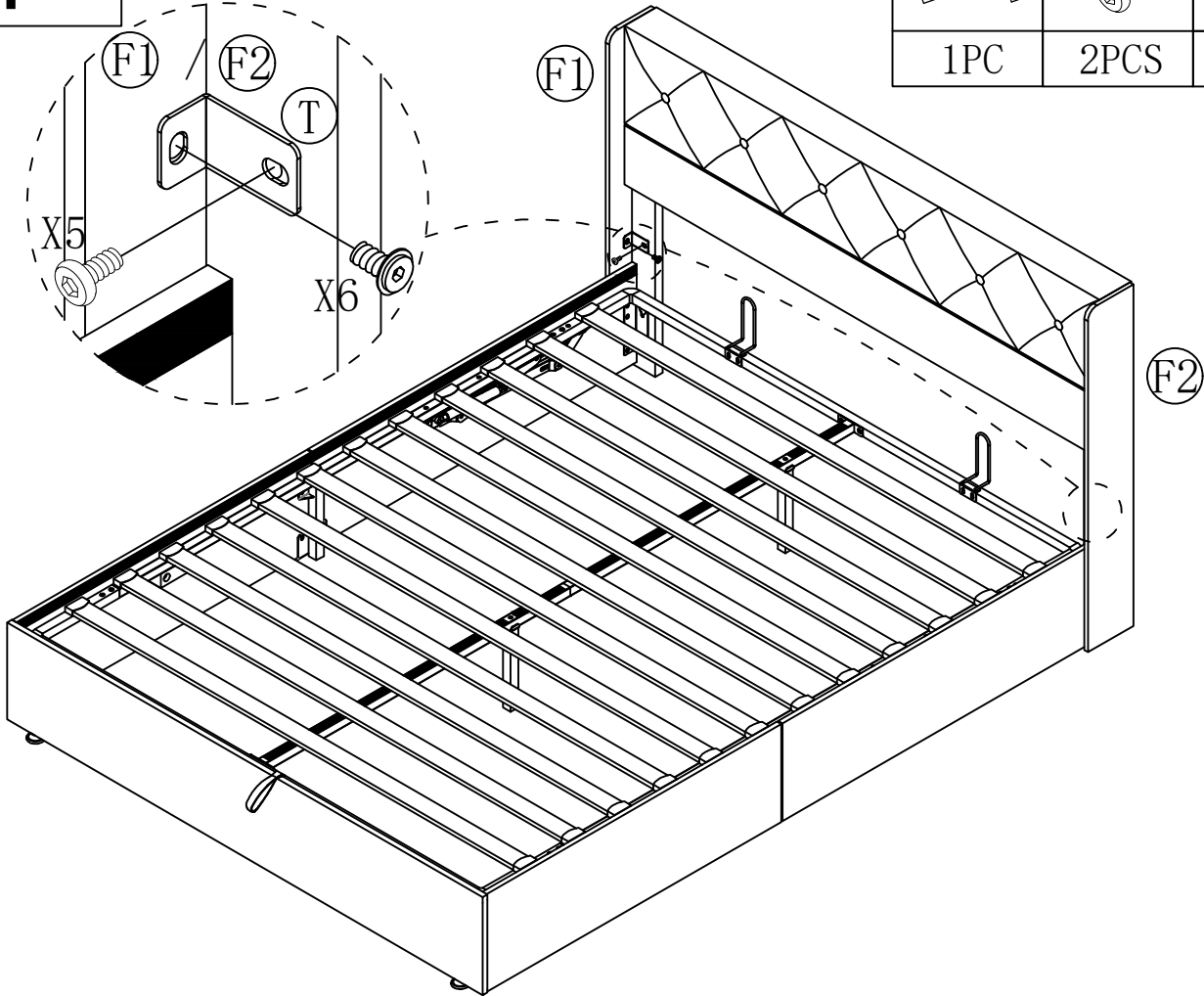
Z1	X6
	
1PC	2PCS



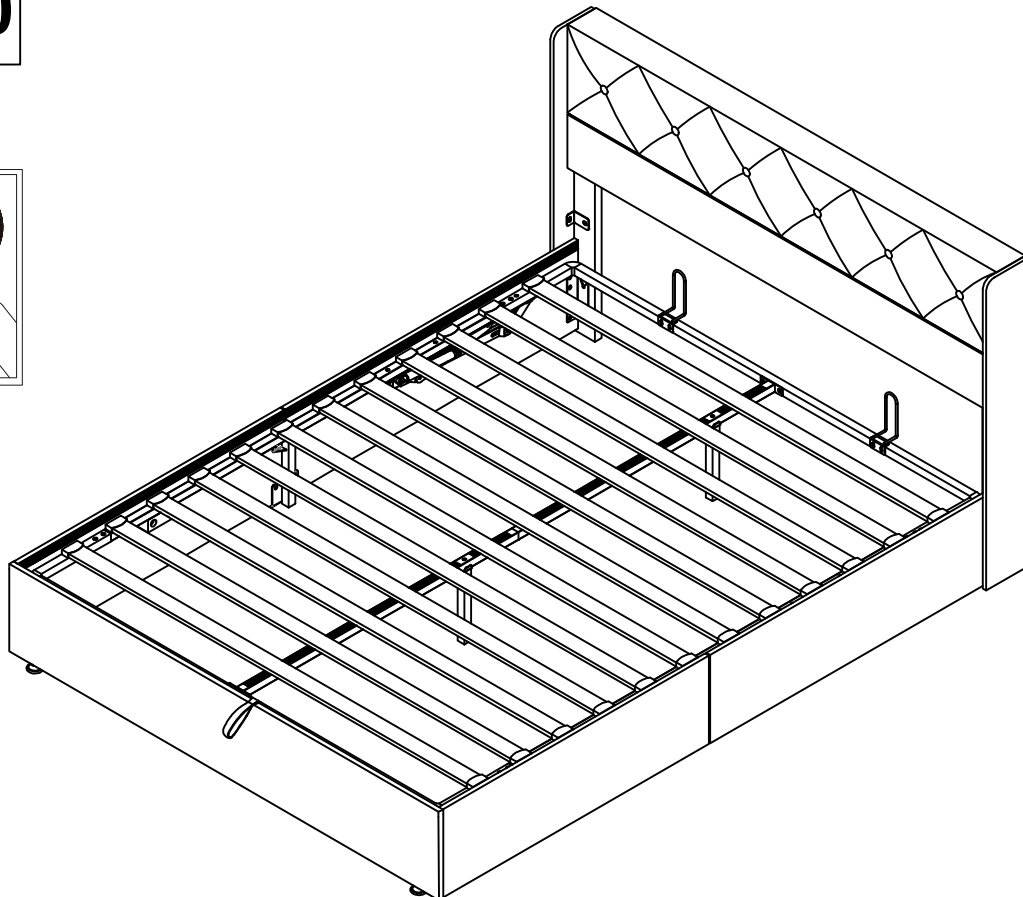
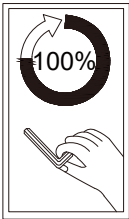
Firmly press the bed slat platform down until it is flat (be careful not to pinch your fingers), then install F1 and F2 on both sides of the headboard.

# step19

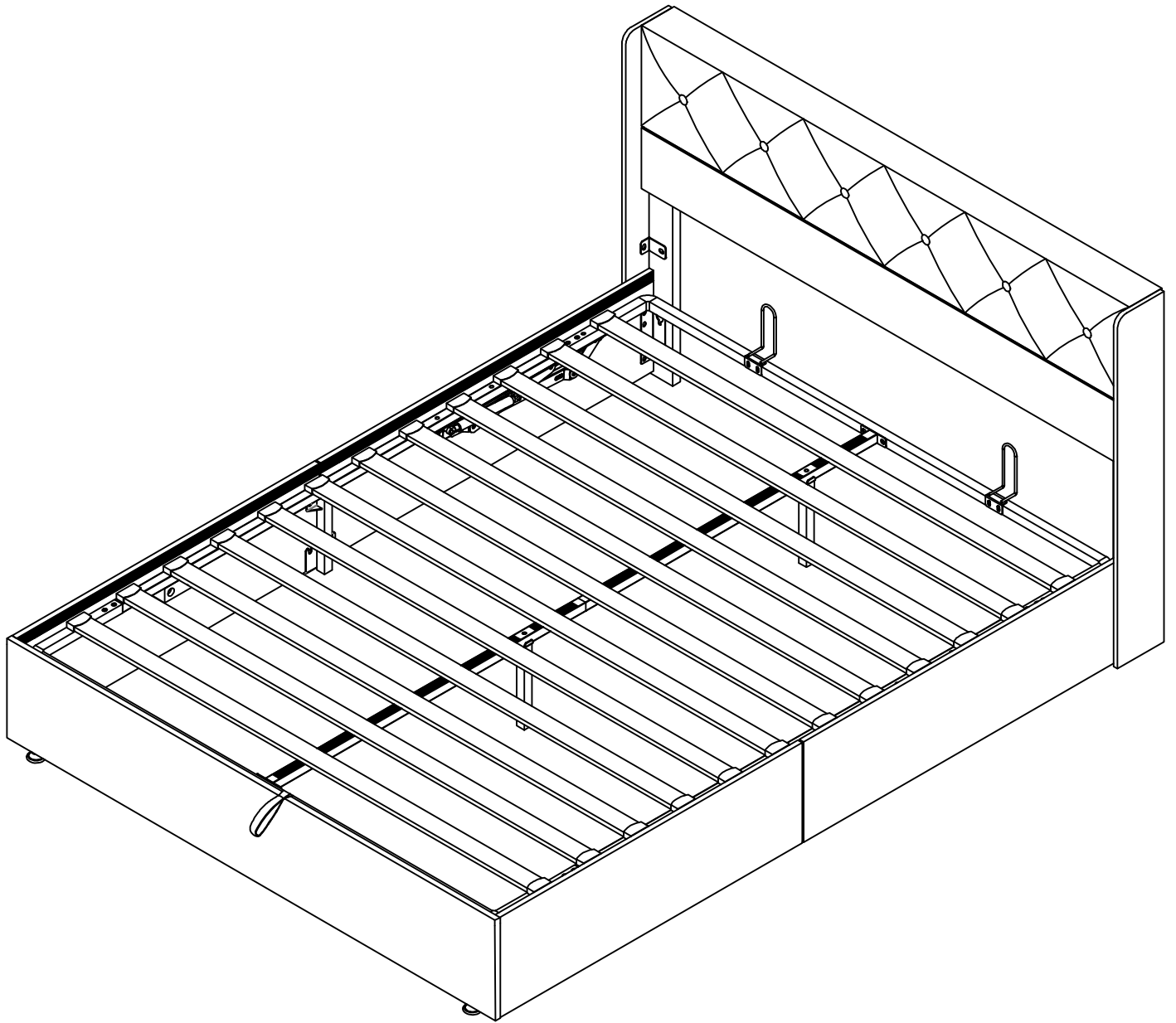
Z1	X5	X6
		
1PC	2PCS	2PCS



# step20



Installation complete! Please tighten all bolts by 100% .



## Technical Support

(909)637-7665 | (909)637-7593

## Other Info

[HJ-Customer-Service@outlook.com](mailto:HJ-Customer-Service@outlook.com)

Thank you for choosing this product. We strive to provide you with the best quality products and services in the industry. Should you have any issues, please don't hesitate to contact us.