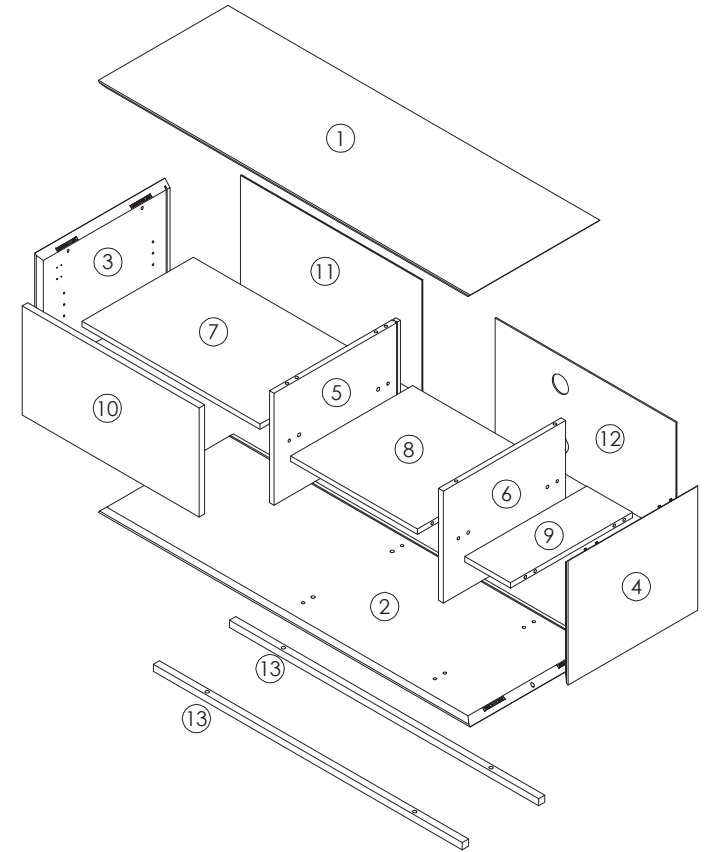


Assembly Instructions

48 Media Stand



PLEASE NOTE: Check that you have received all components and hardware before assembling. If you are missing any parts, contact your retailer.



A (16 pcs)
8x35mm

B (12 pcs)
15x12mm

C (12 pcs)
7x35mm

D (2 pcs)

E (2 pcs)

F (1 pc)
3x12mm

G (3 pcs)
3.5x12mm

H (4 pcs)
3x18mm

I (12 pcs)
4x15mm

J (20 pcs)
6x14x2mm

P (20 pcs)
6x10x2mm

Q (4 pcs)
6.5x47mm

R (1 pc)

S (1 pc)

T (1 pc)

K (1 pc)
4x70x50mm

L (16 pcs)
6x20mm

M (4 pcs)
6x35mm

N (4 pcs)
5x16mm

O (2 pcs)
416x150x56mm

U (4 pcs)

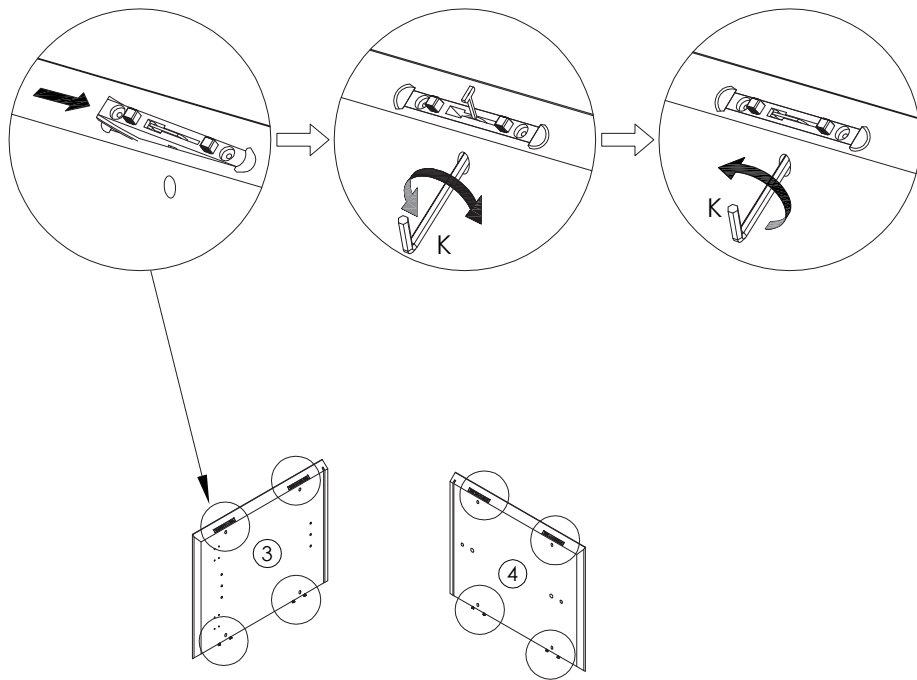
V (4 pcs)
20mm

During assembly, hand tighten screws only. When the screws are in place, tighten completely.

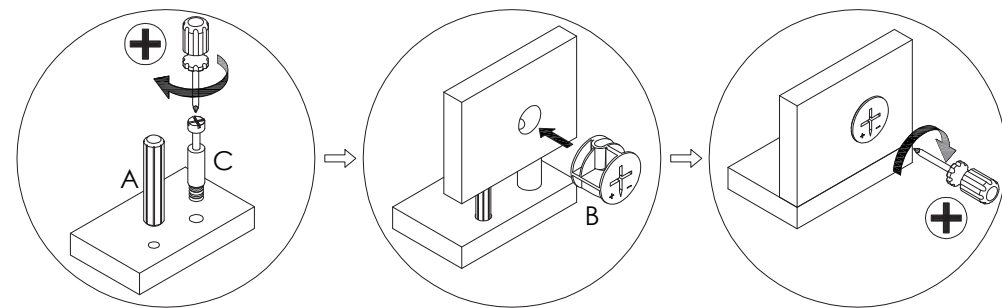
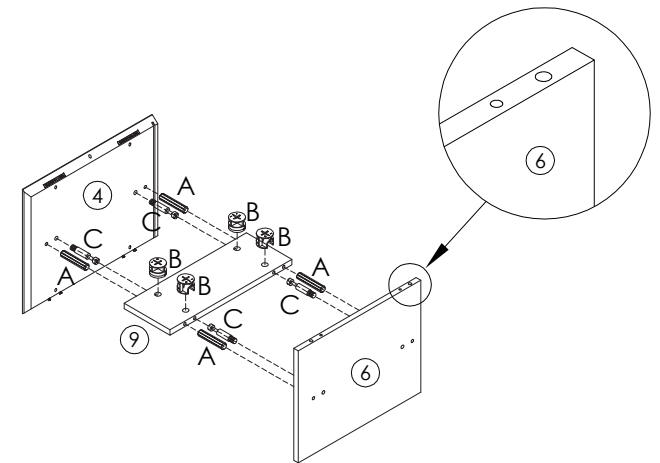
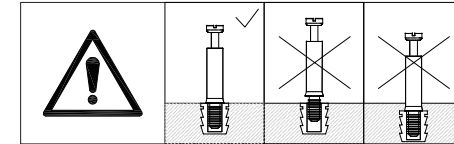
PLEASE NOTE: Check that you have received all components and hardware before assembling. If you are missing any parts, contact your retailer.

Assembly Instructions 48 Media Stand

1



2



During assembly, hand tighten screws only. When the screws are in place, tighten completely.

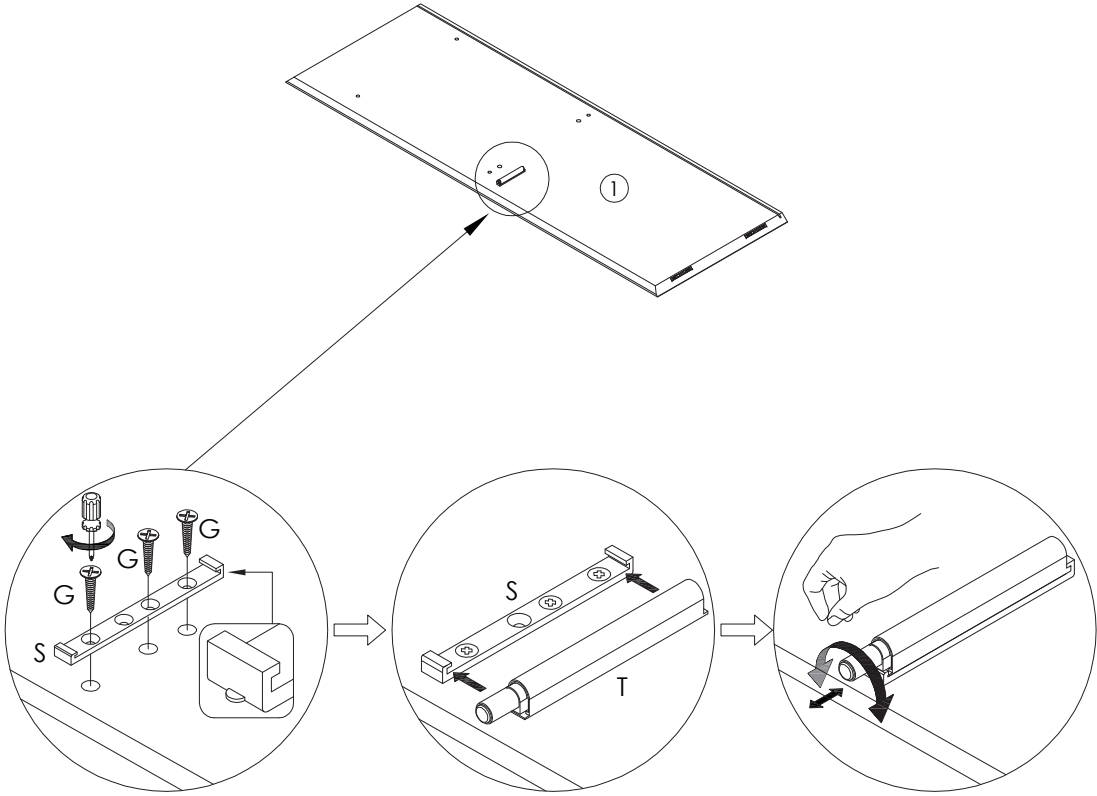
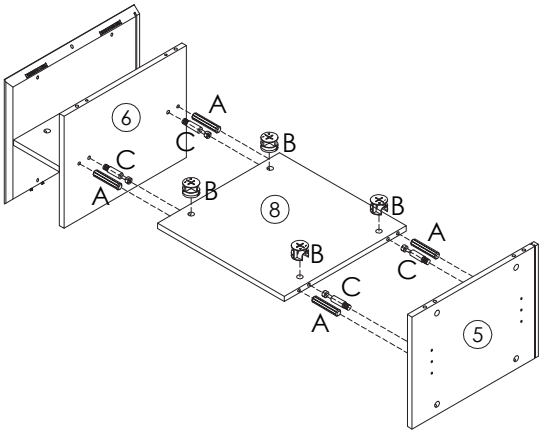
PLEASE NOTE: Check that you have received all components and hardware before assembling. If you are missing any parts, contact your retailer.

Assembly Instructions

48 Media Stand

4

3



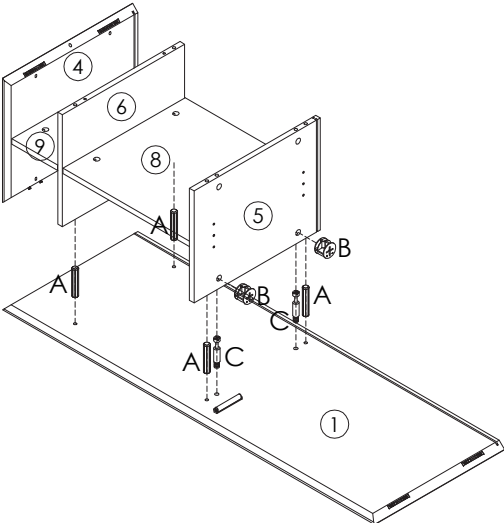
During assembly, hand tighten screws only. When the screws are in place, tighten completely.

PLEASE NOTE: Check that you have received all components and hardware before assembling. If you are missing any parts, contact your retailer.

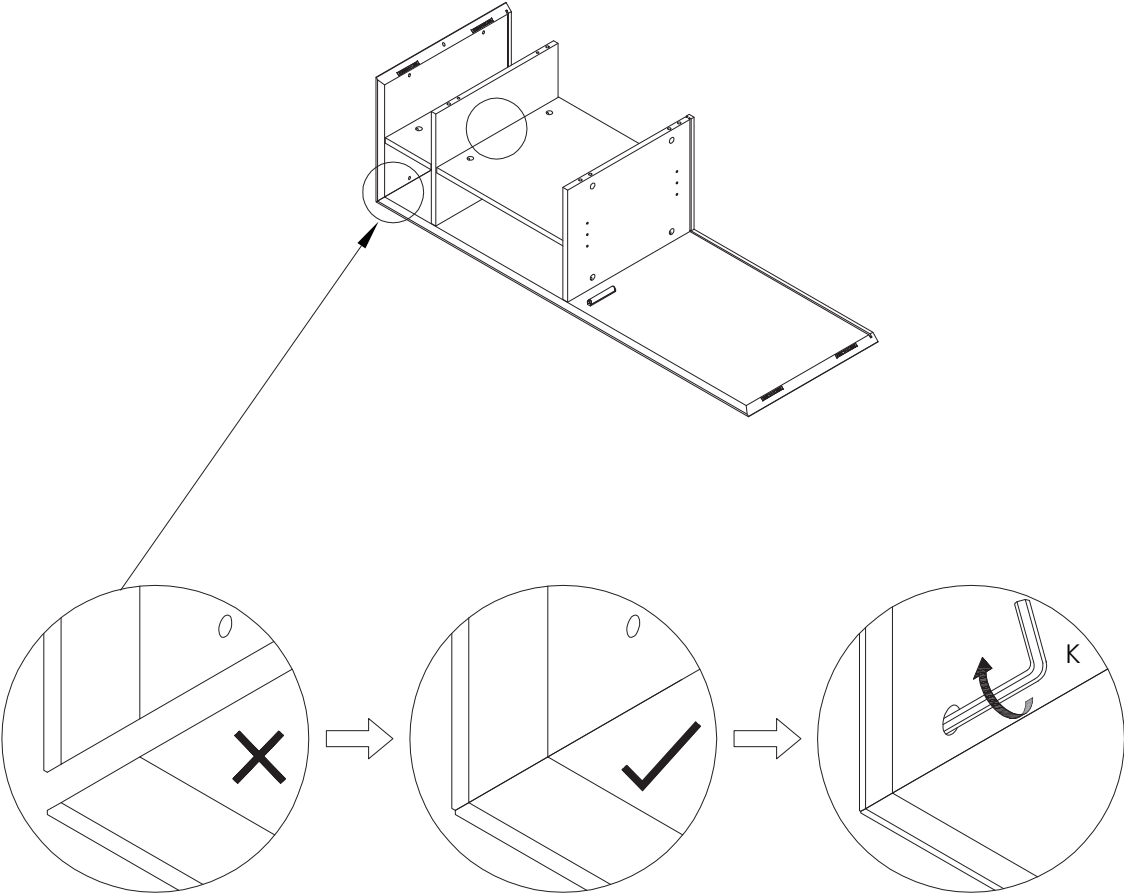
Assembly Instructions

48 Media Stand

5



6

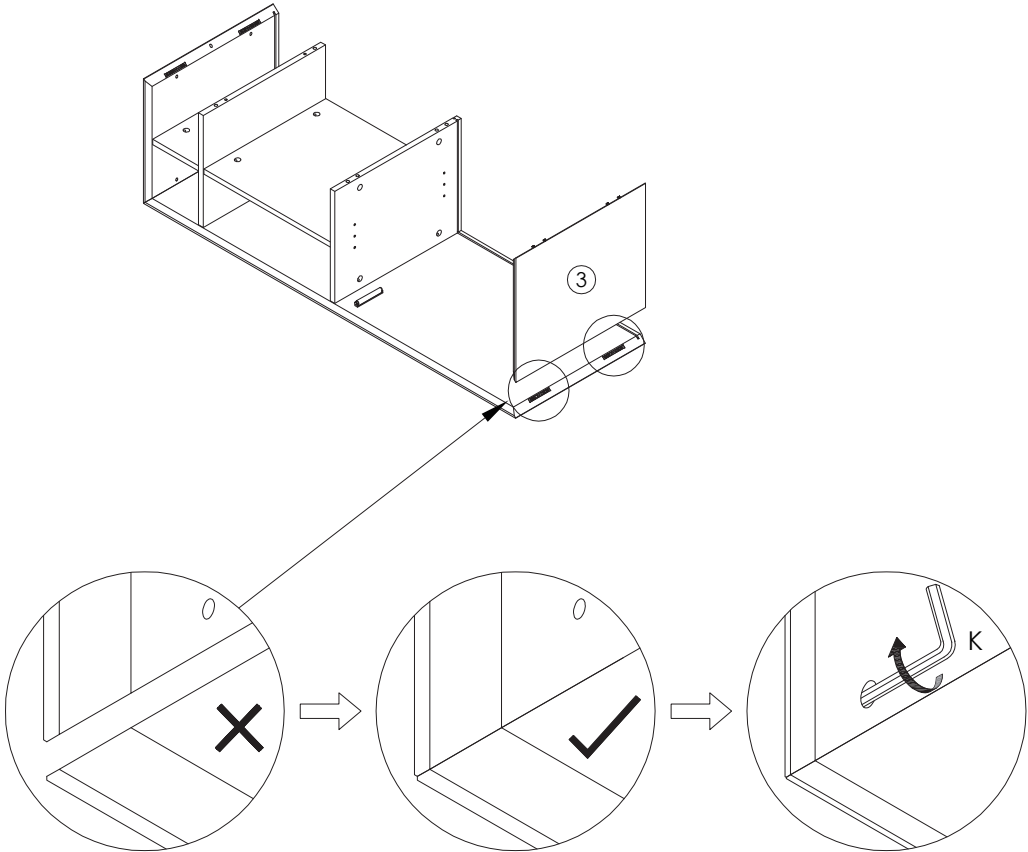


During assembly, hand tighten screws only. When the screws are in place, tighten completely.

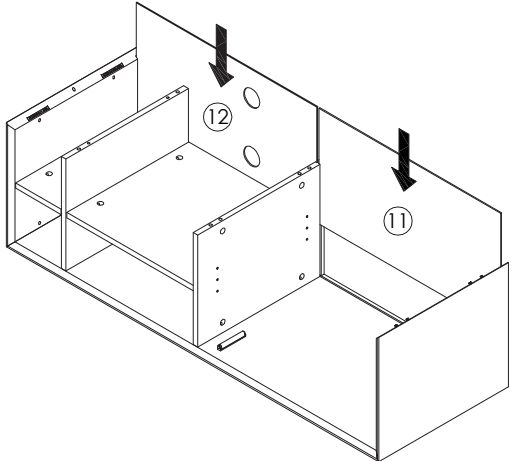
PLEASE NOTE: Check that you have received all components and hardware before assembling. If you are missing any parts, contact your retailer.

Assembly Instructions 48 Media Stand

7



8



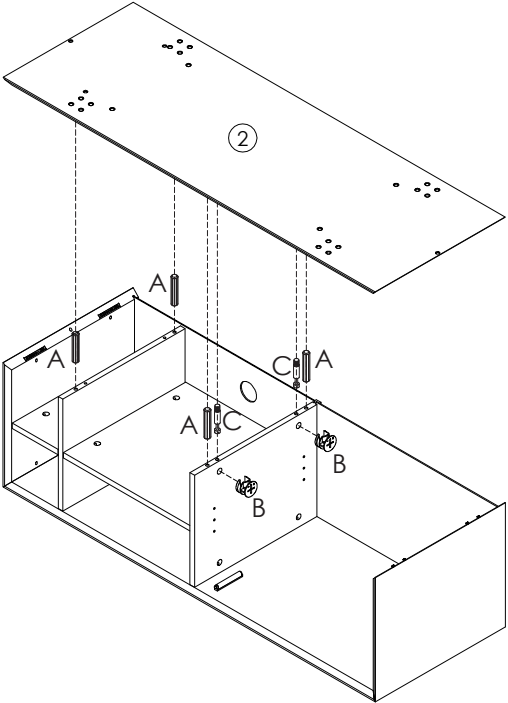
During assembly, hand tighten screws only. When the screws are in place, tighten completely.

PLEASE NOTE: Check that you have received all components and hardware before assembling. If you are missing any parts, contact your retailer.

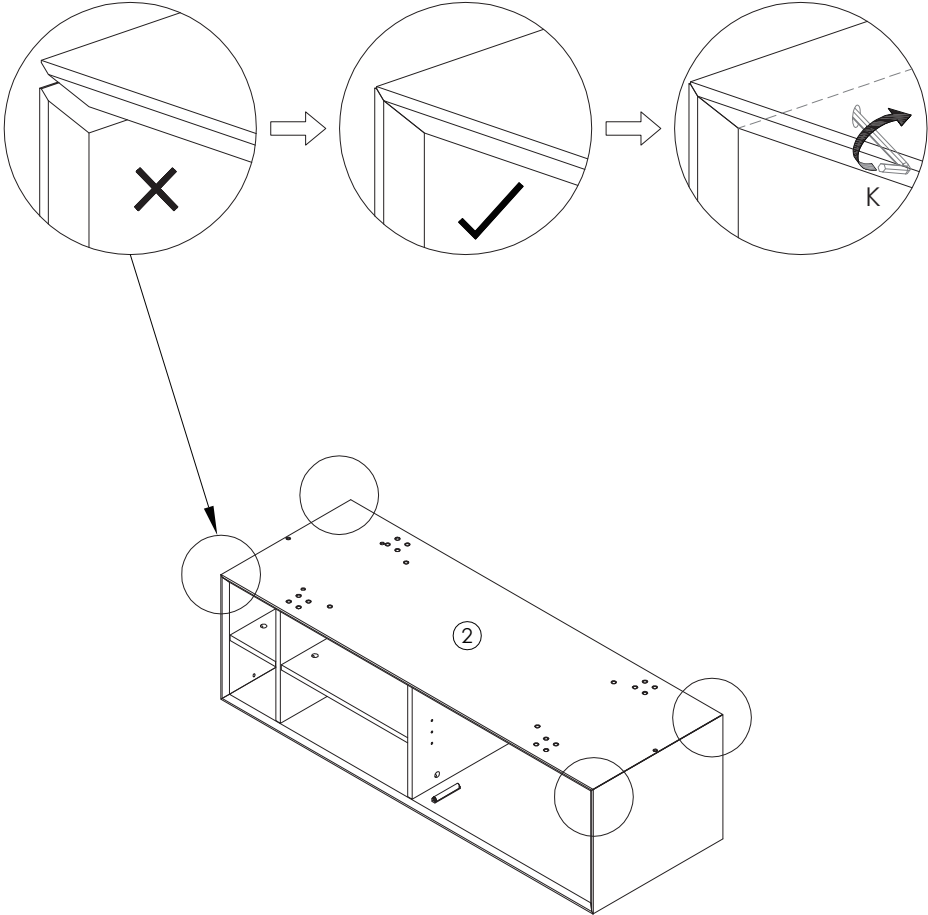
Assembly Instructions

48 Media Stand

9



10

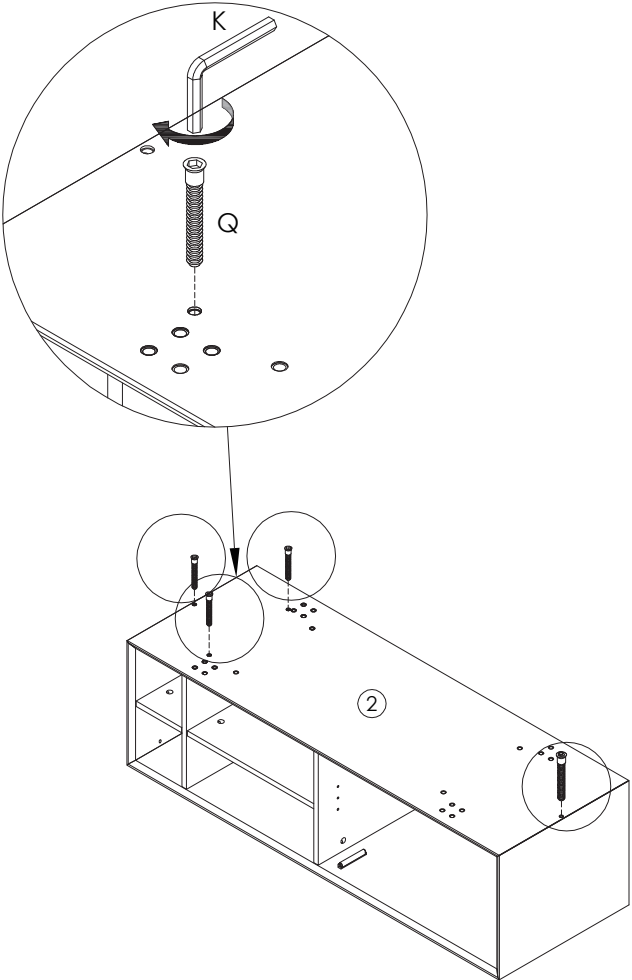


During assembly, hand tighten screws only. When the screws are in place, tighten completely.

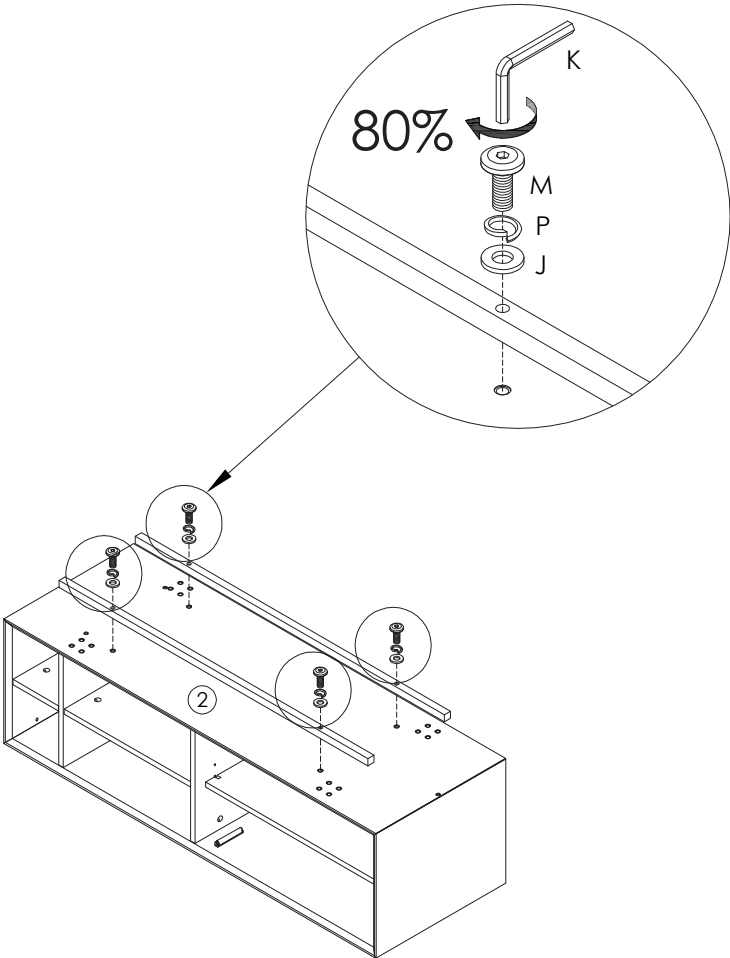
PLEASE NOTE: Check that you have received all components and hardware before assembling. If you are missing any parts, contact your retailer.

Assembly Instructions 48 Media Stand

11



12

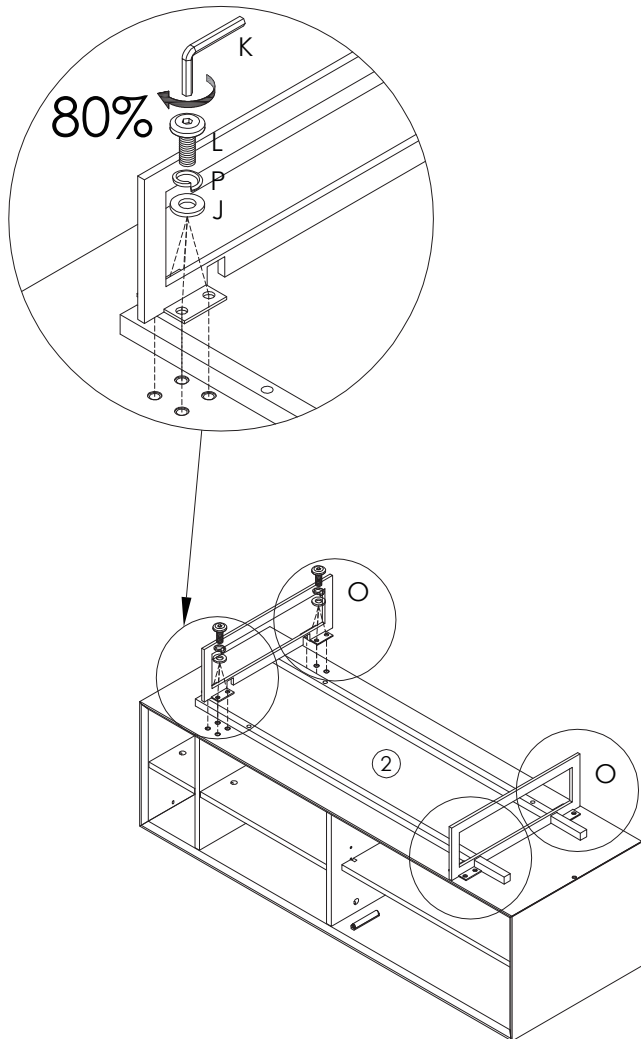


During assembly, hand tighten screws only. When the screws are in place, tighten completely.

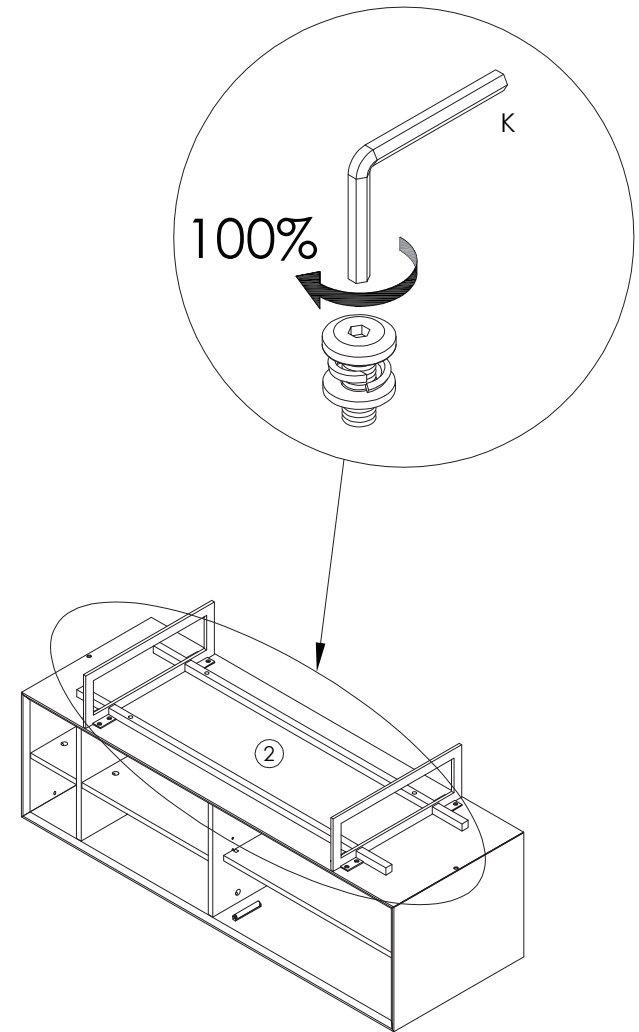
PLEASE NOTE: Check that you have received all components and hardware before assembling. If you are missing any parts, contact your retailer.

Assembly Instructions 48 Media Stand

13



14

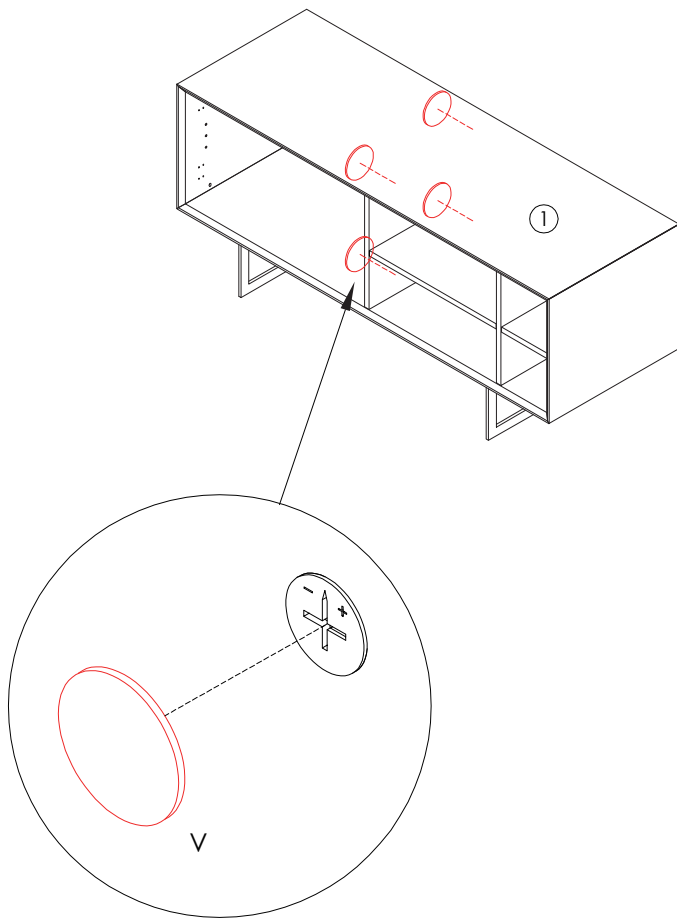


During assembly, hand tighten screws only. When the screws are in place, tighten completely.

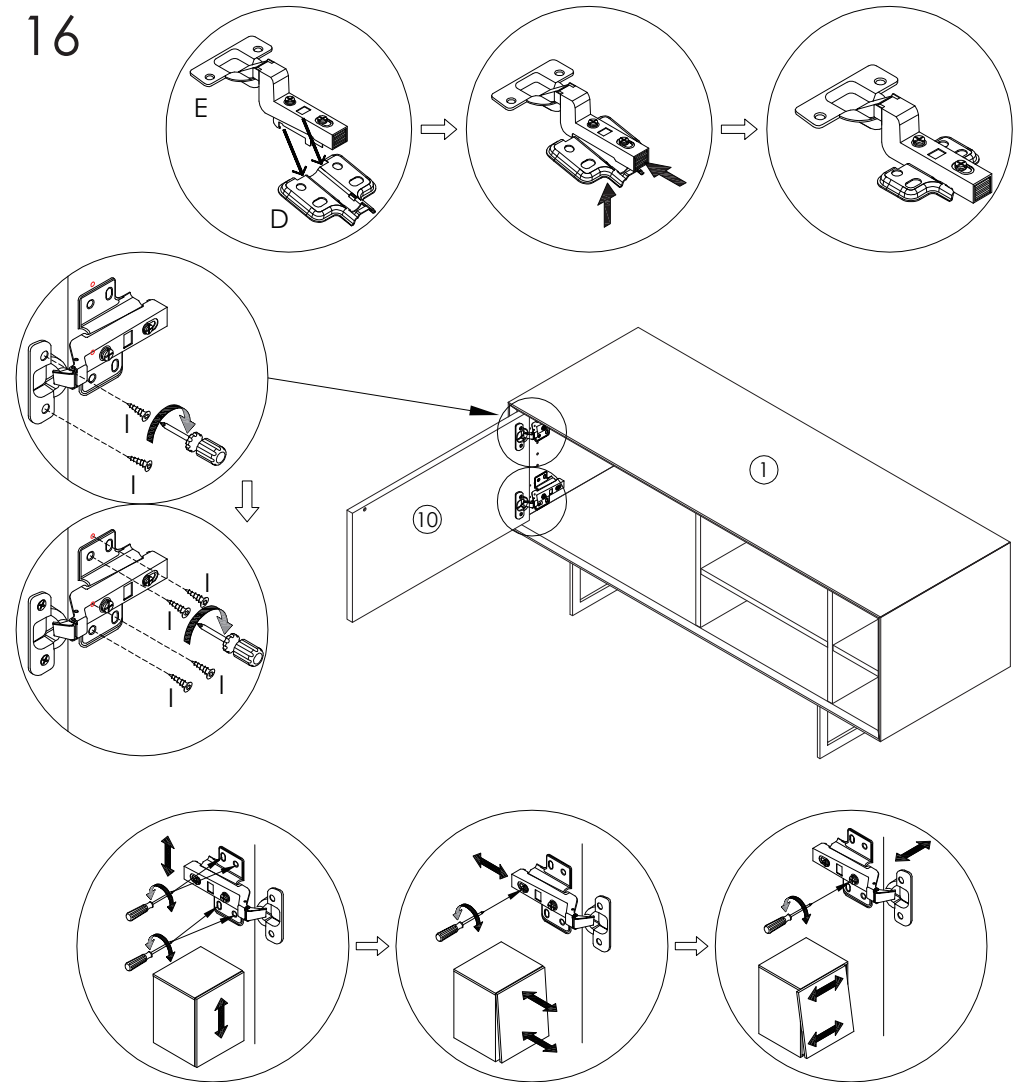
PLEASE NOTE: Check that you have received all components and hardware before assembling. If you are missing any parts, contact your retailer.

Assembly Instructions 48 Media Stand

15



16



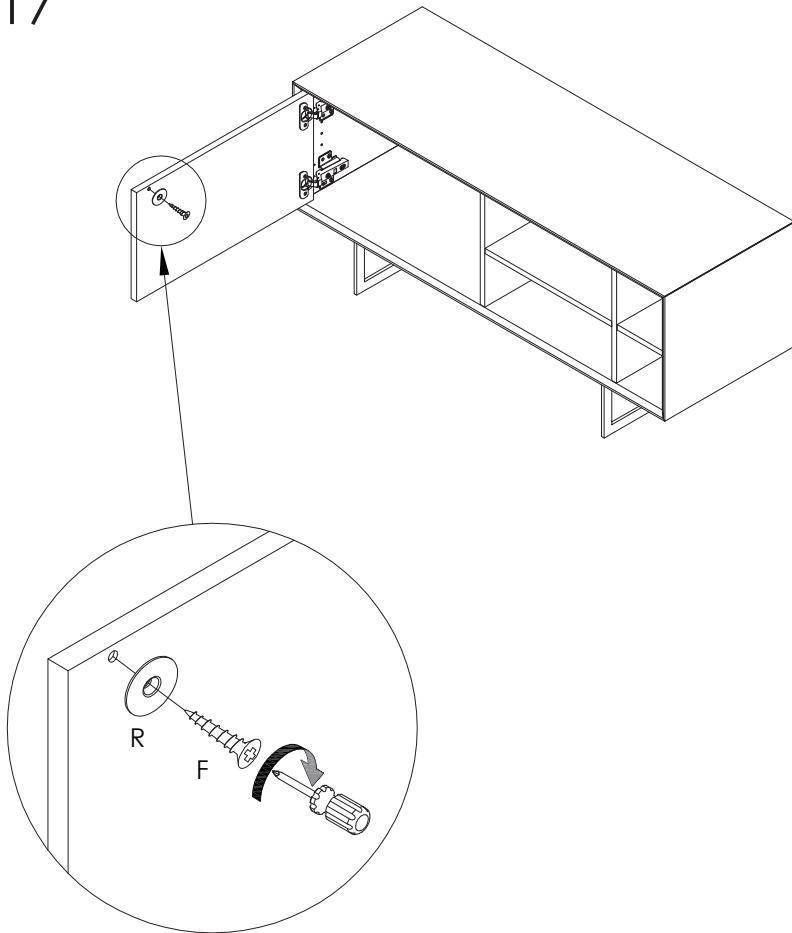
During assembly, hand tighten screws only. When the screws are in place, tighten completely.

PLEASE NOTE: Check that you have received all components and hardware before assembling. If you are missing any parts, contact your retailer.

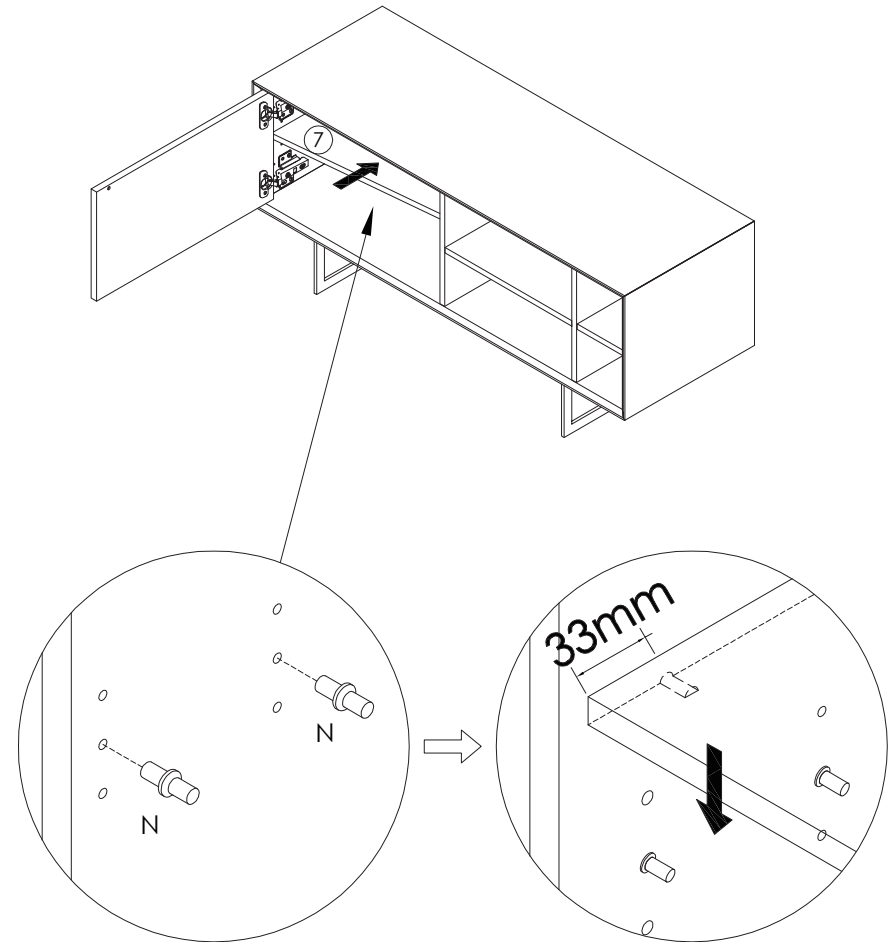
Assembly Instructions

48 Media Stand

17



18



During assembly, hand tighten screws only. When the screws are in place, tighten completely.

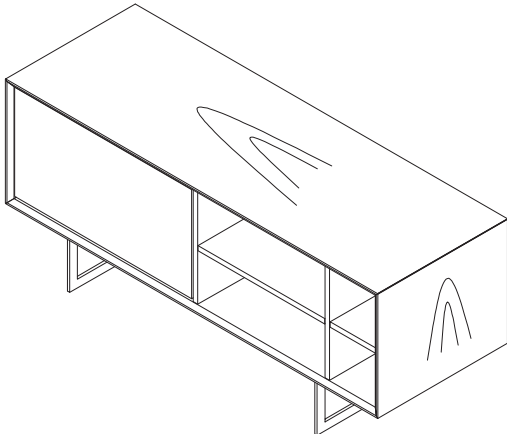
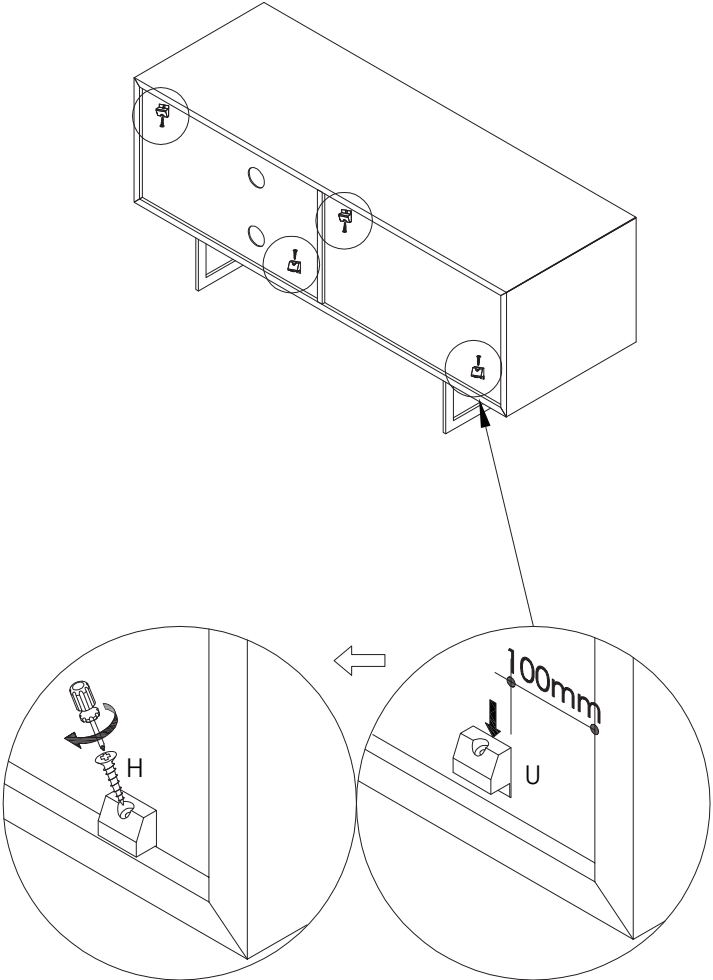
PLEASE NOTE: Check that you have received all components and hardware before assembling. If you are missing any parts, contact your retailer.

Assembly Instructions

48 Media Stand

20

19



During assembly, hand tighten screws only. When the screws are in place, tighten completely.