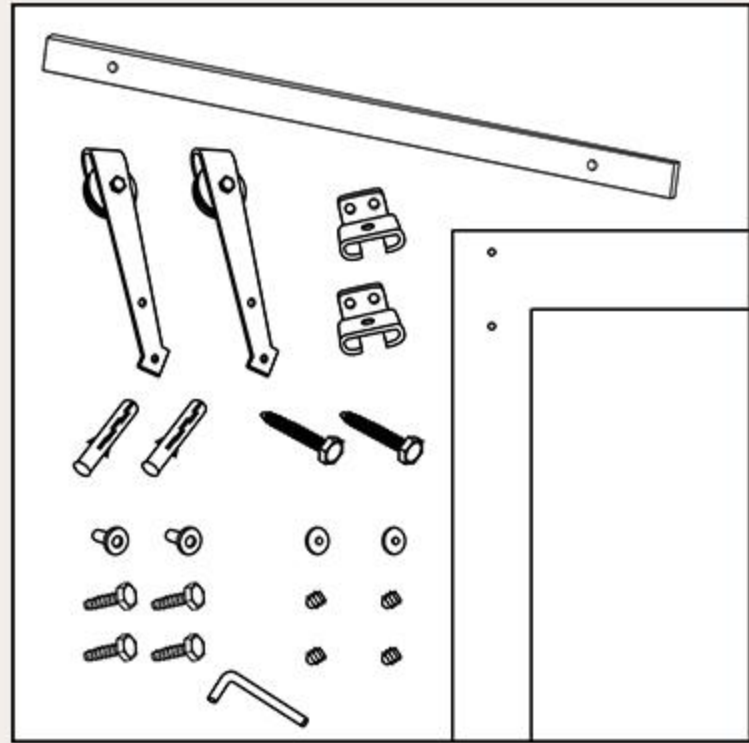
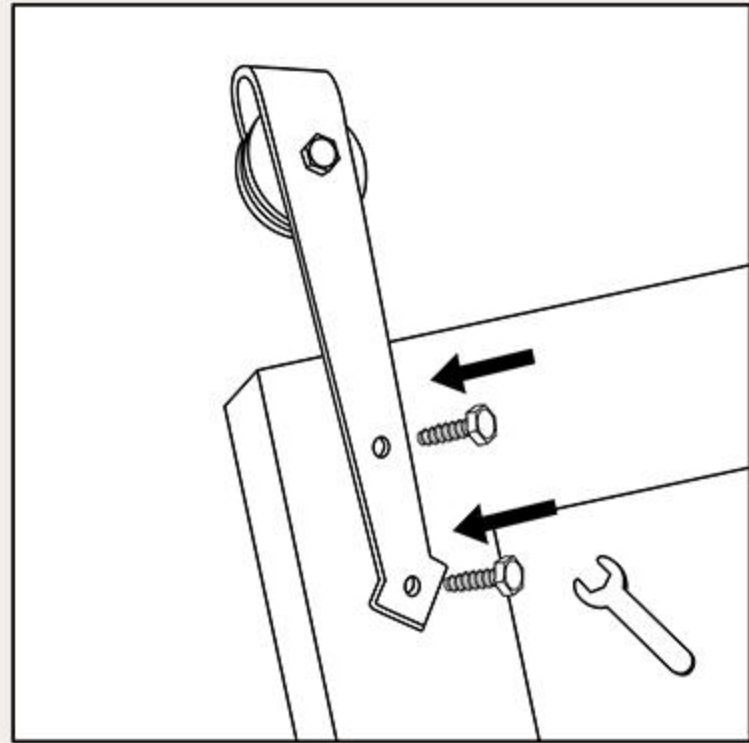


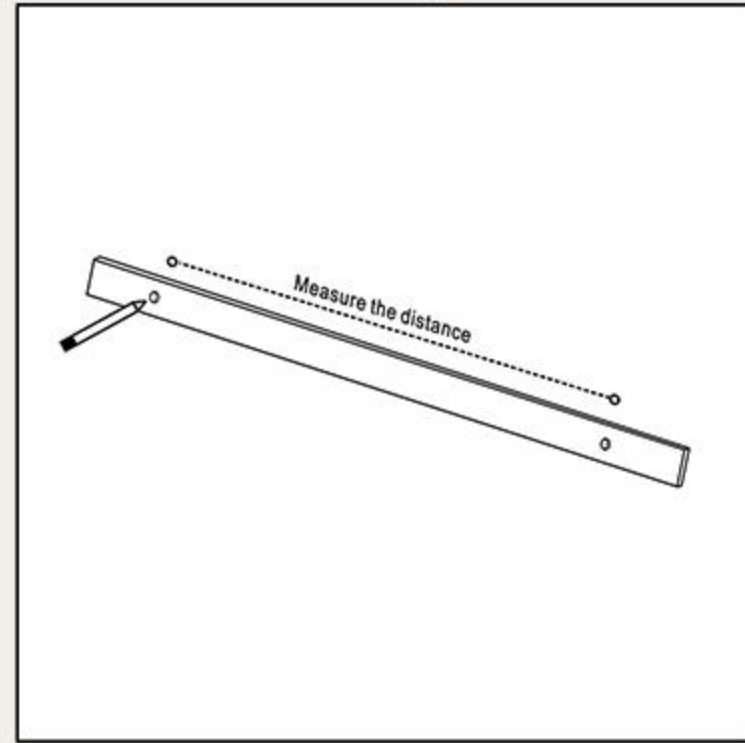
Assembly Guide



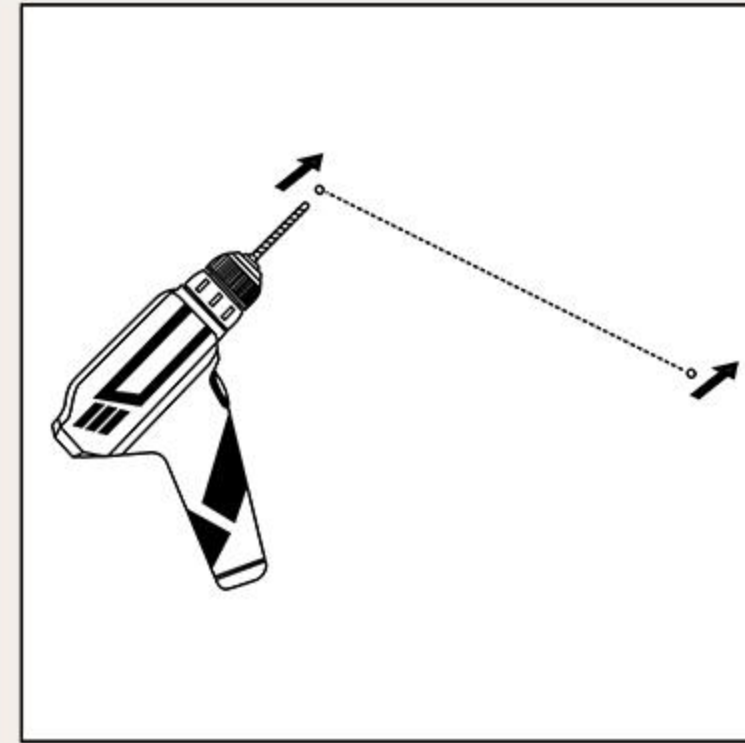
1. Check accessories



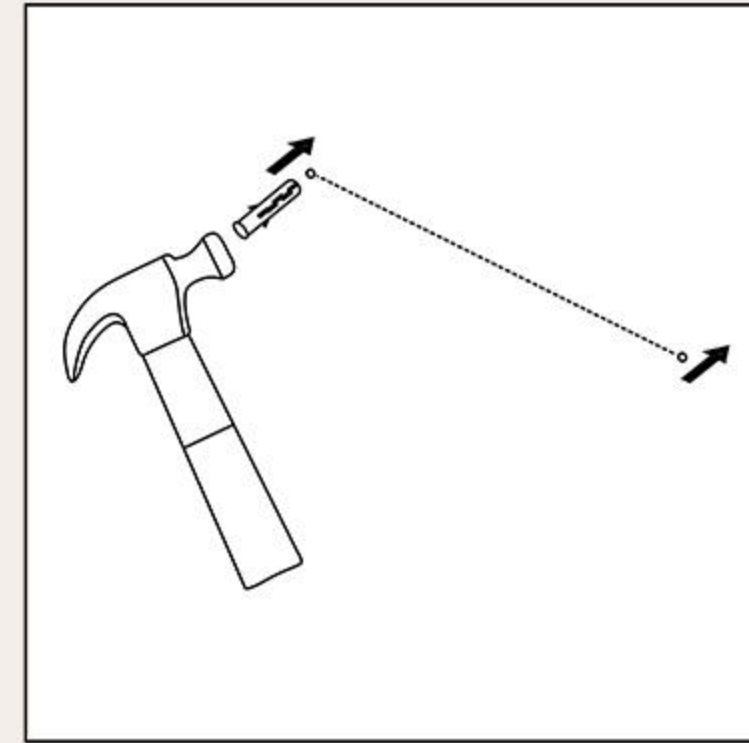
2. Installation of pulleys



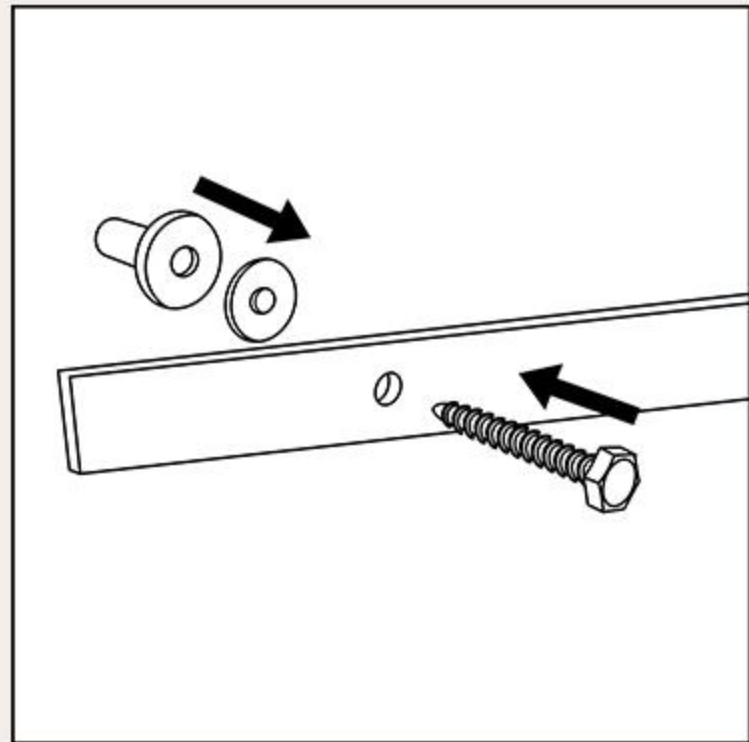
3. Wall hole markings



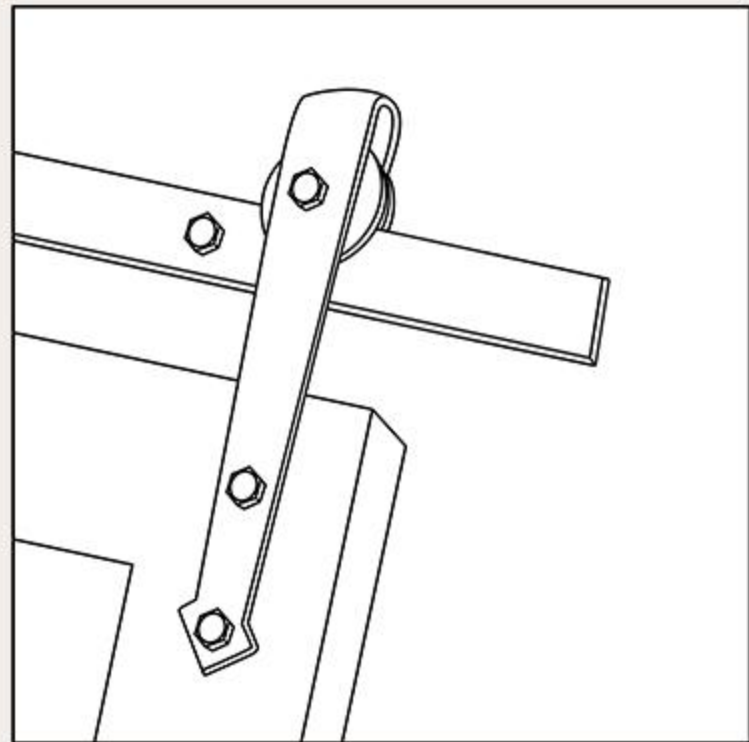
4. Hole drilling



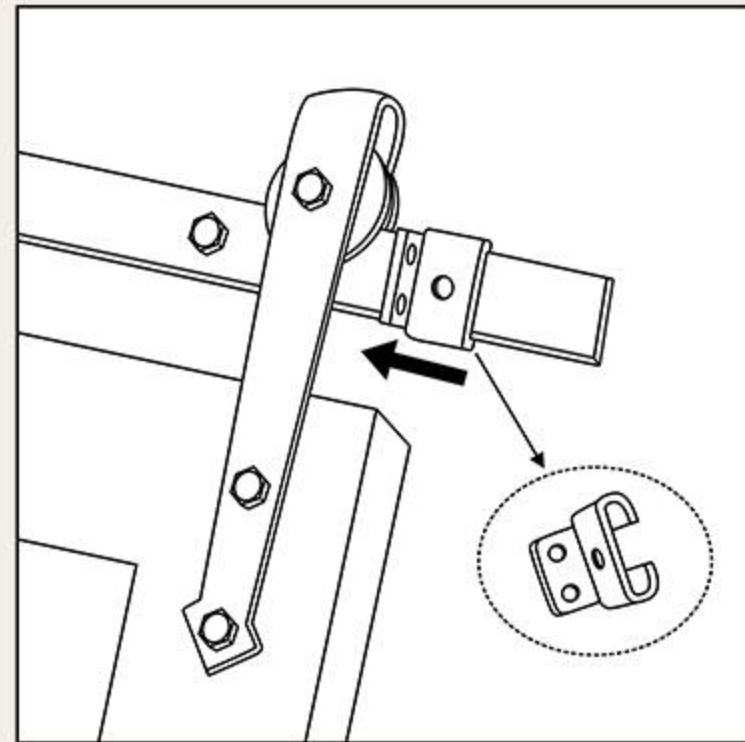
5. Nail the expansion screws



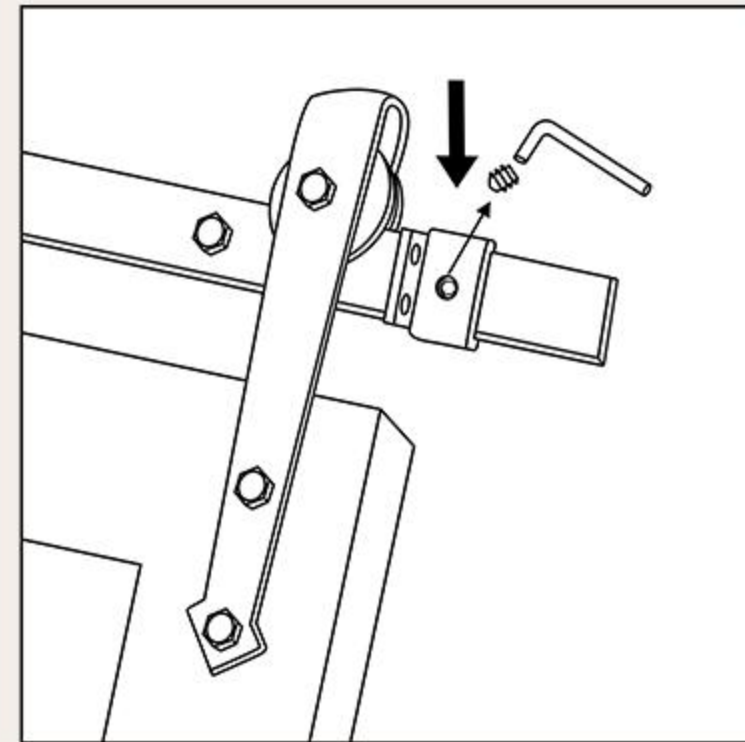
6. Tighten the screws



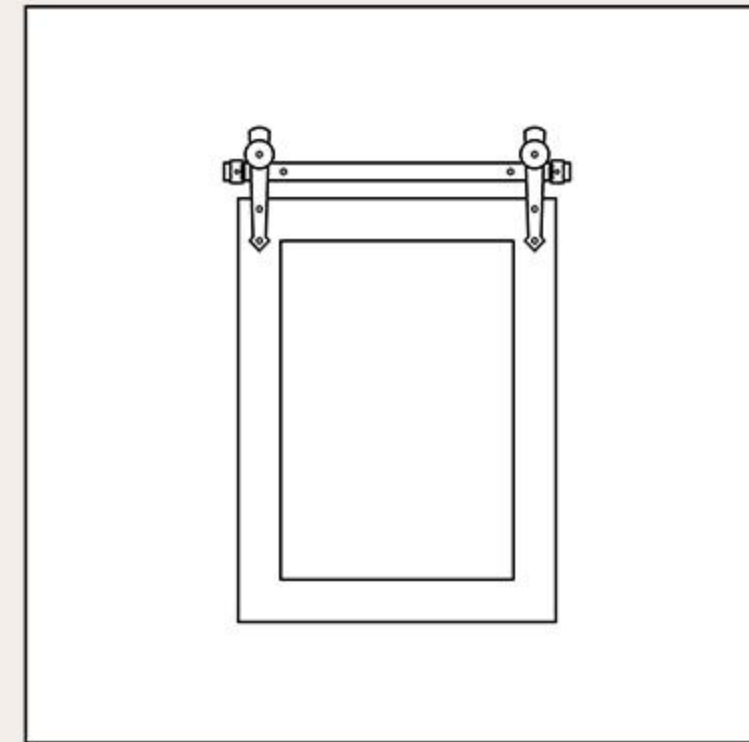
7. Snap the pulley into the track



8. Fixing the door stopper



9. Turn the screws



10. Complete Installation