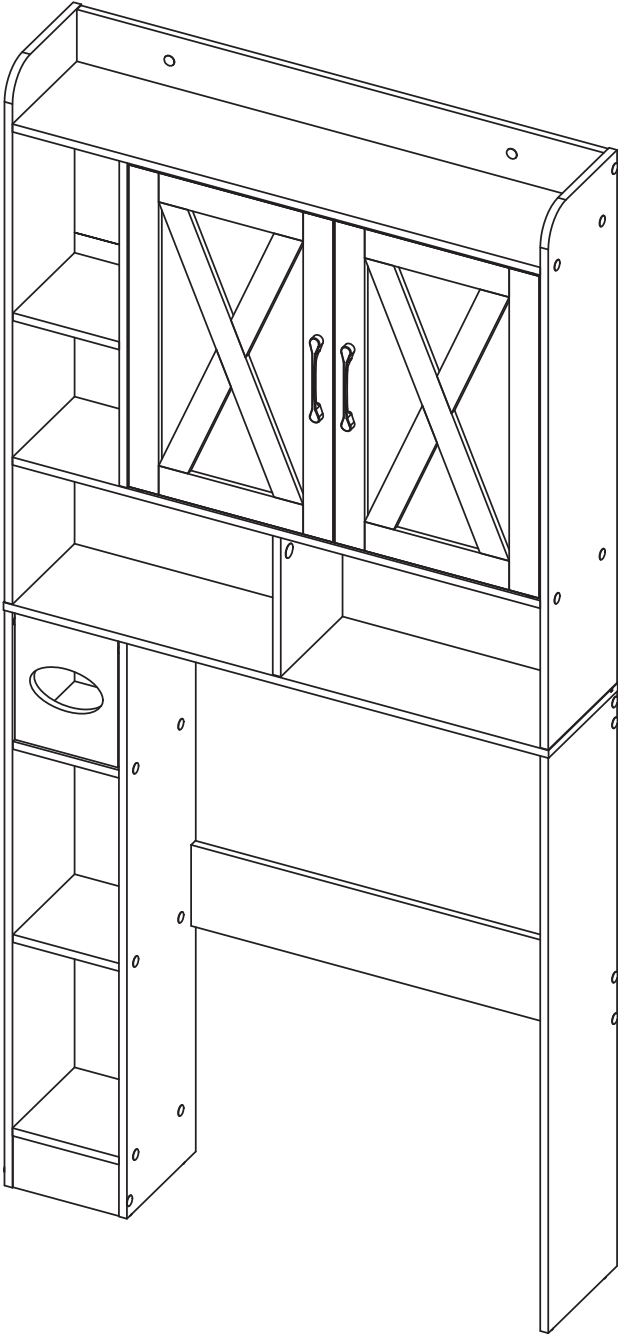
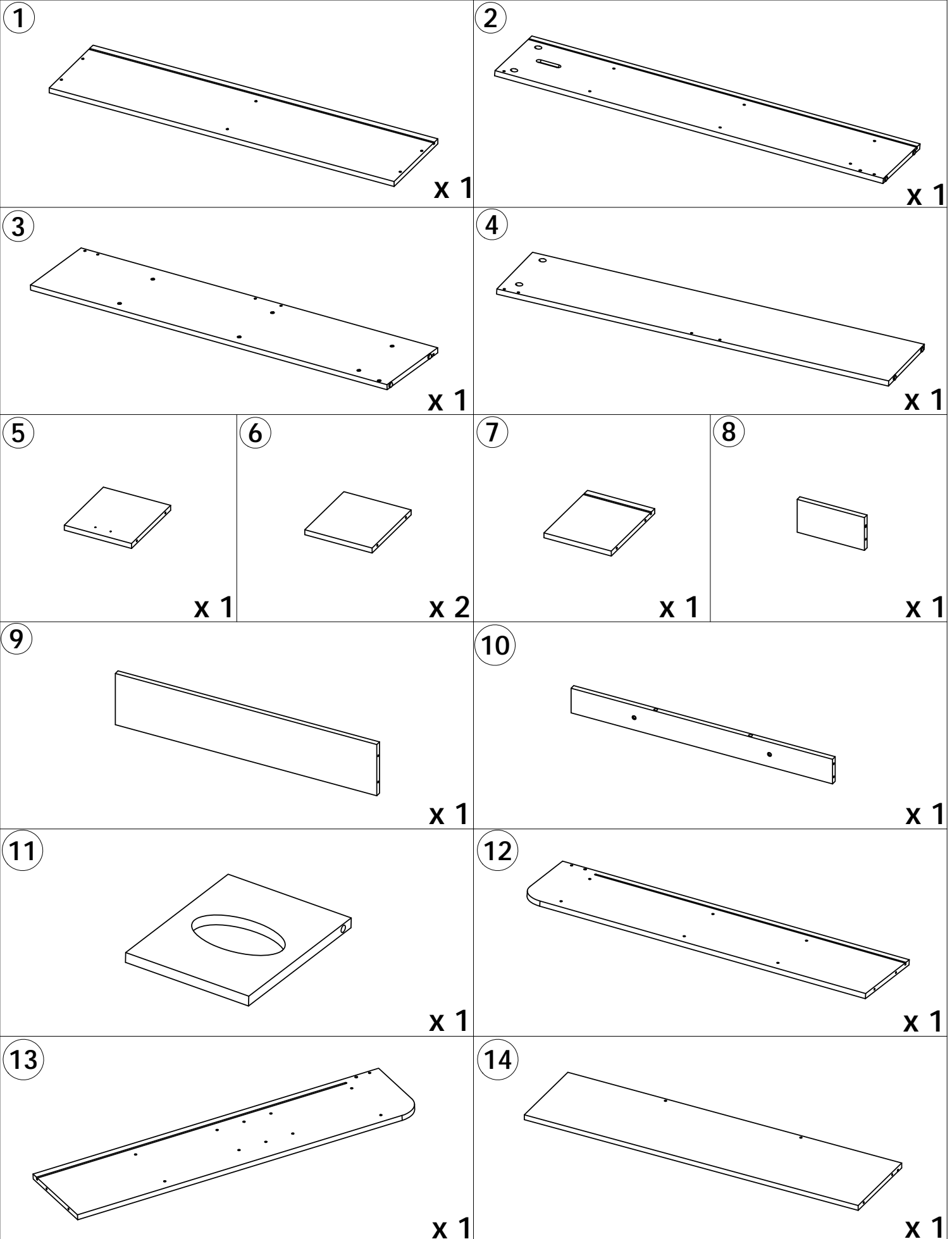


ASSEMBLY INSTRUCTIONS

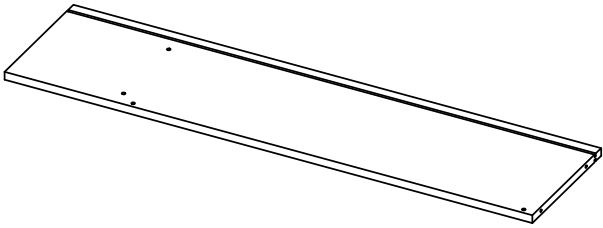


CABINET PARTS



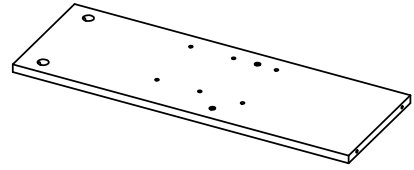
CABINET PARTS

15



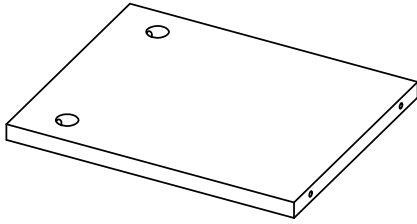
x 1

16



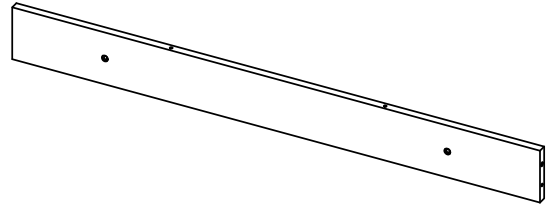
x 1

17



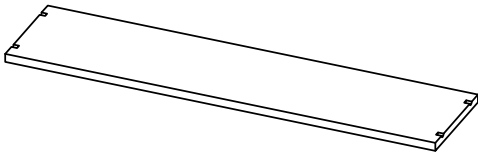
x 1

18



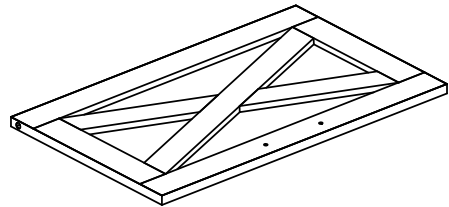
x 1

19



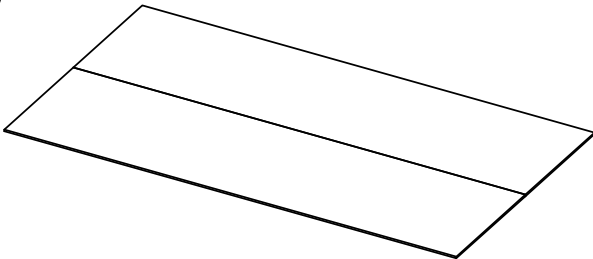
x 1

20



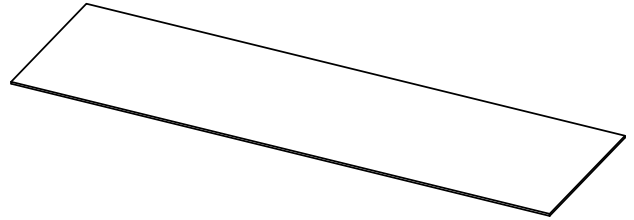
x 2

21



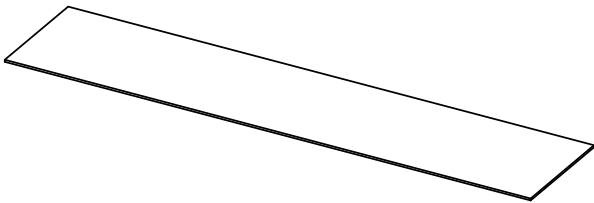
x 1

22



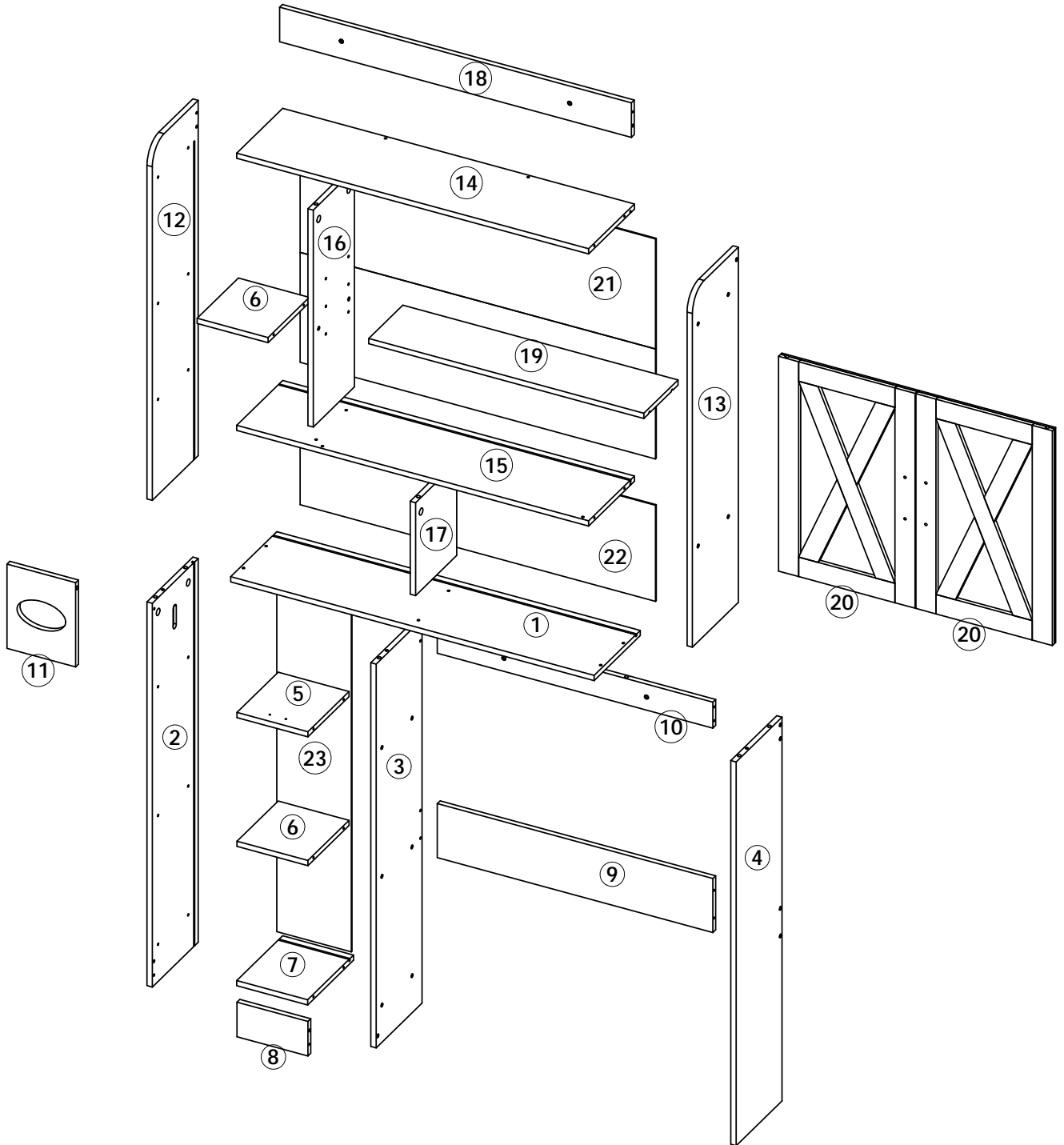
x 1

23

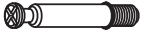





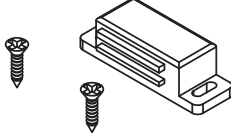
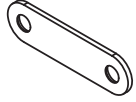


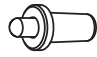




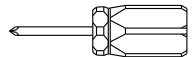


x 1

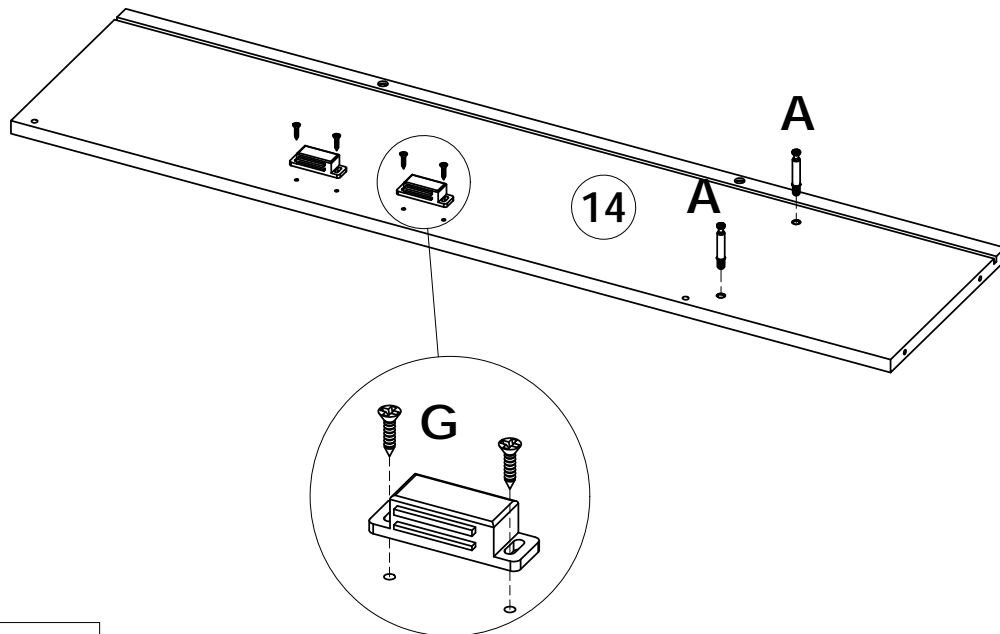
CABINET PARTS

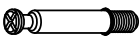



PARTS

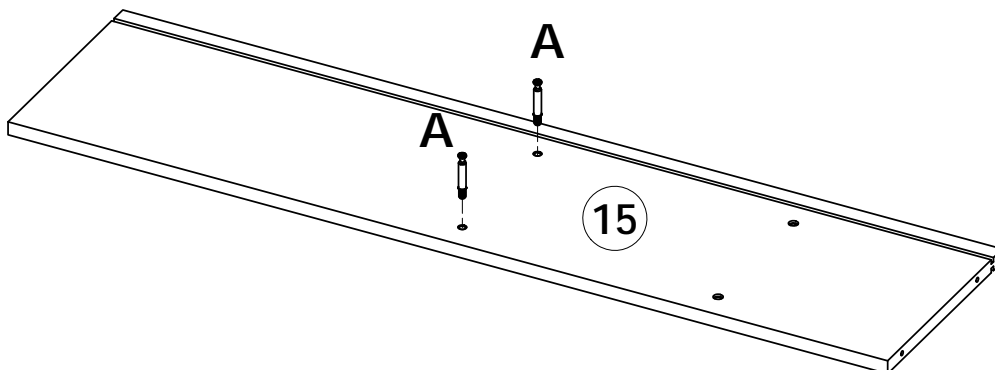
A	x12+1	B	x12+1	C	x46+1	D	x7+1
							
M6 x 40		M15 x 9.5		M5 x 40		M6 x 30	
E	x46+1	F	x4	G	x3	H	x3
							
M20				M3 x 14			
I	x31+2	J	x25+1	K	x6	L	x2
							
M3 x 12							
M	x4	N	x4	O	x1	P	x1
							
M4 x 18		M4 x 50 M6 x 30		L168mm			

STEP 1



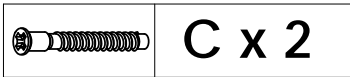
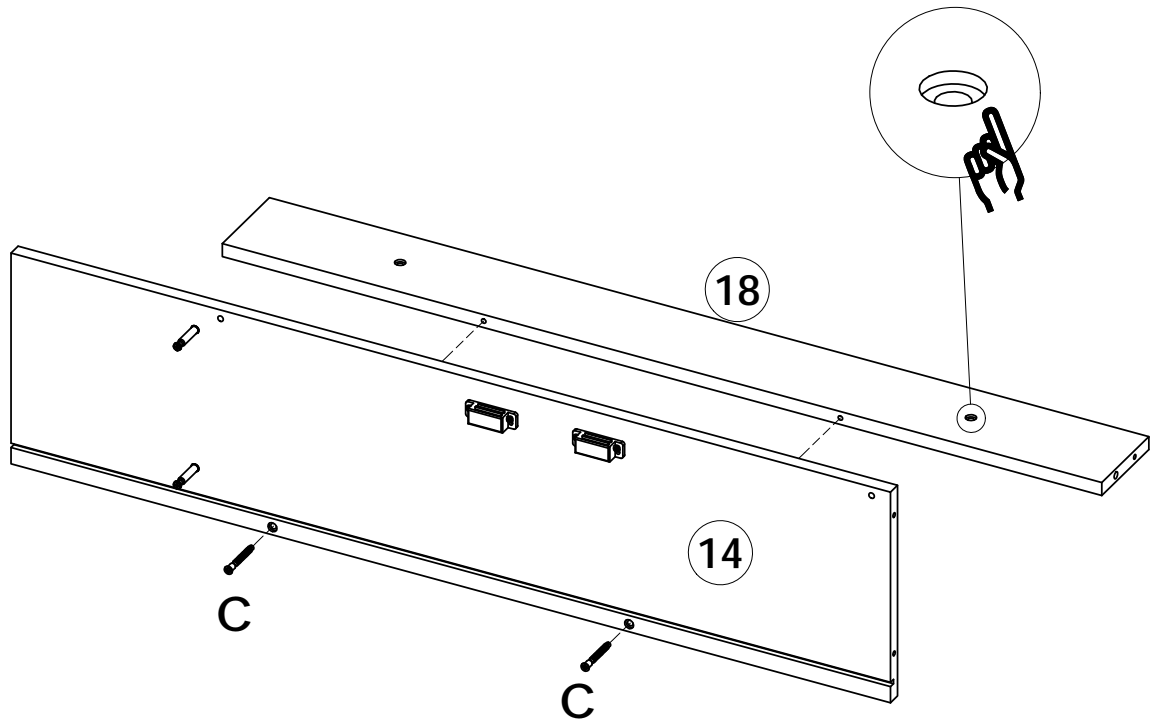
	A x 2
	G x 2

STEP 2

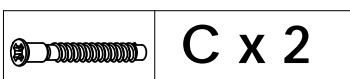
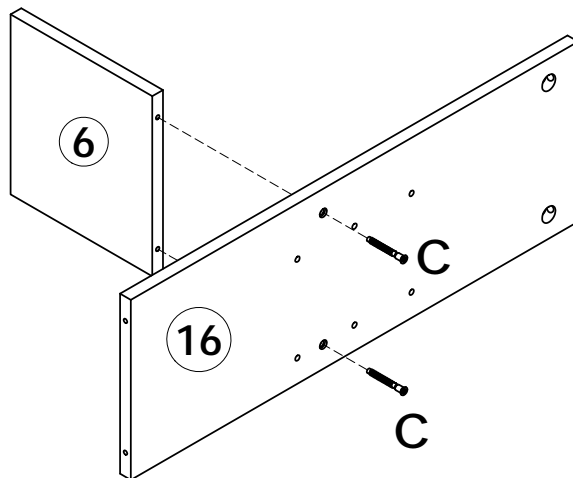


	A x 2
--	-------

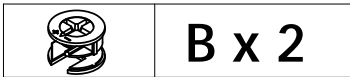
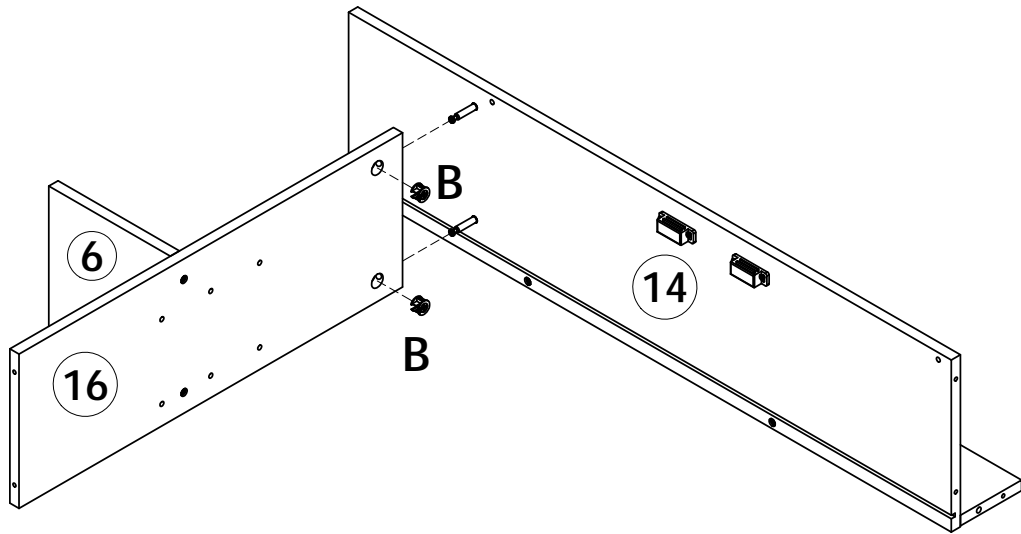
STEP 3



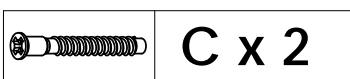
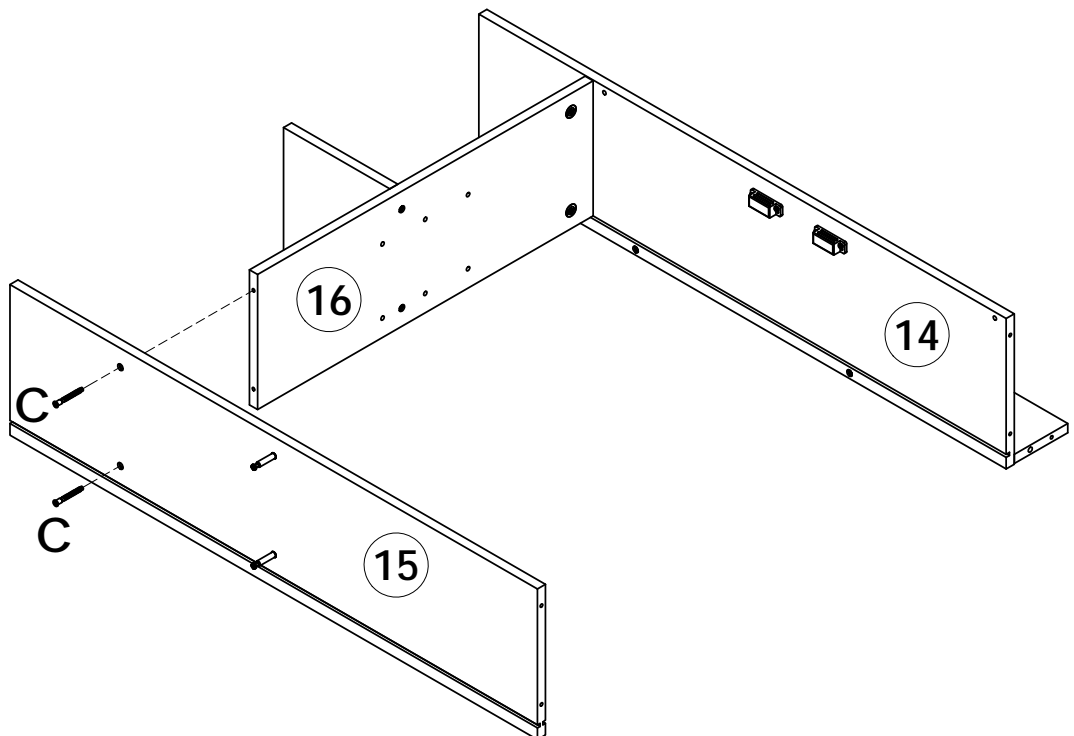
STEP 4



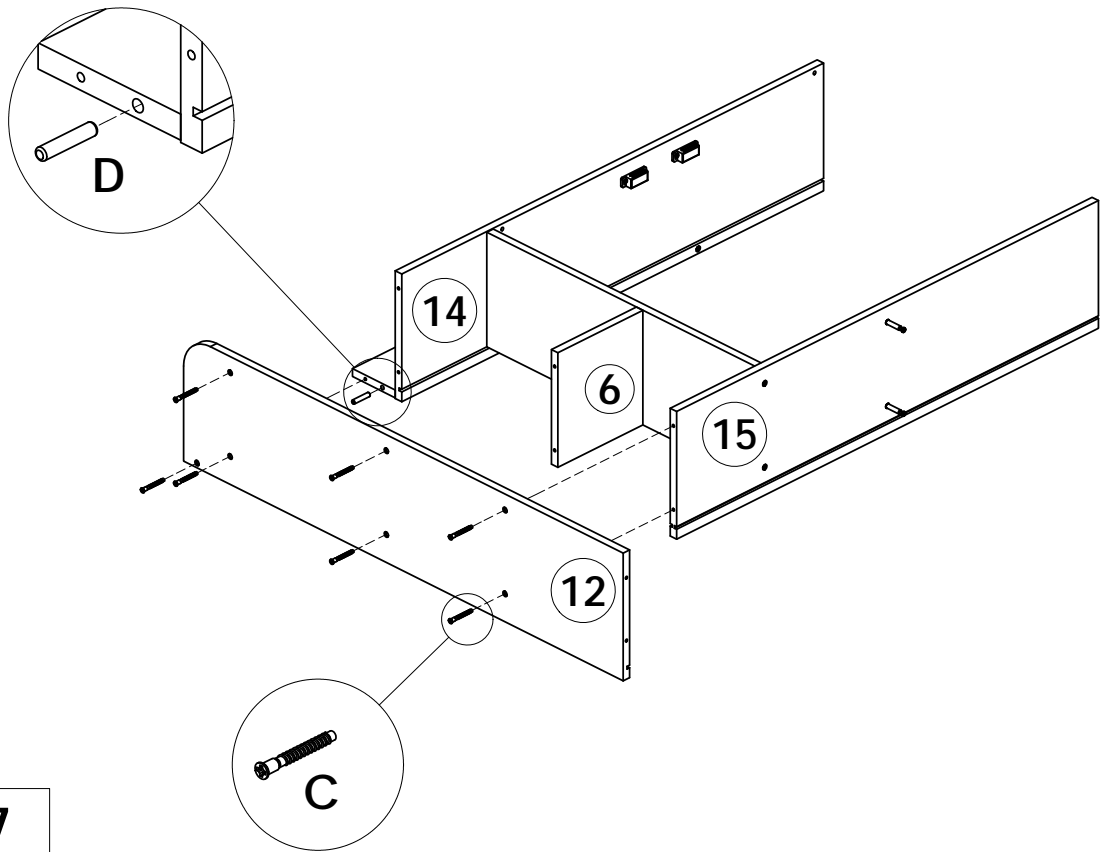
STEP 5


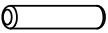


STEP 6

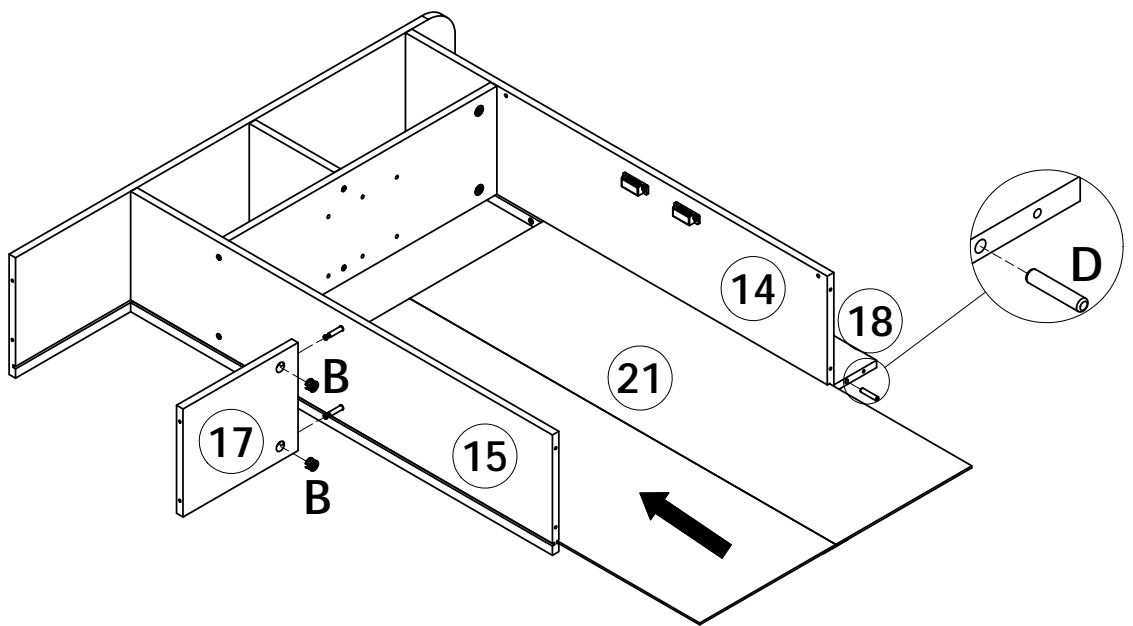



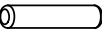
STEP 7



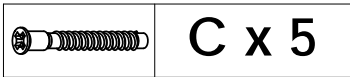
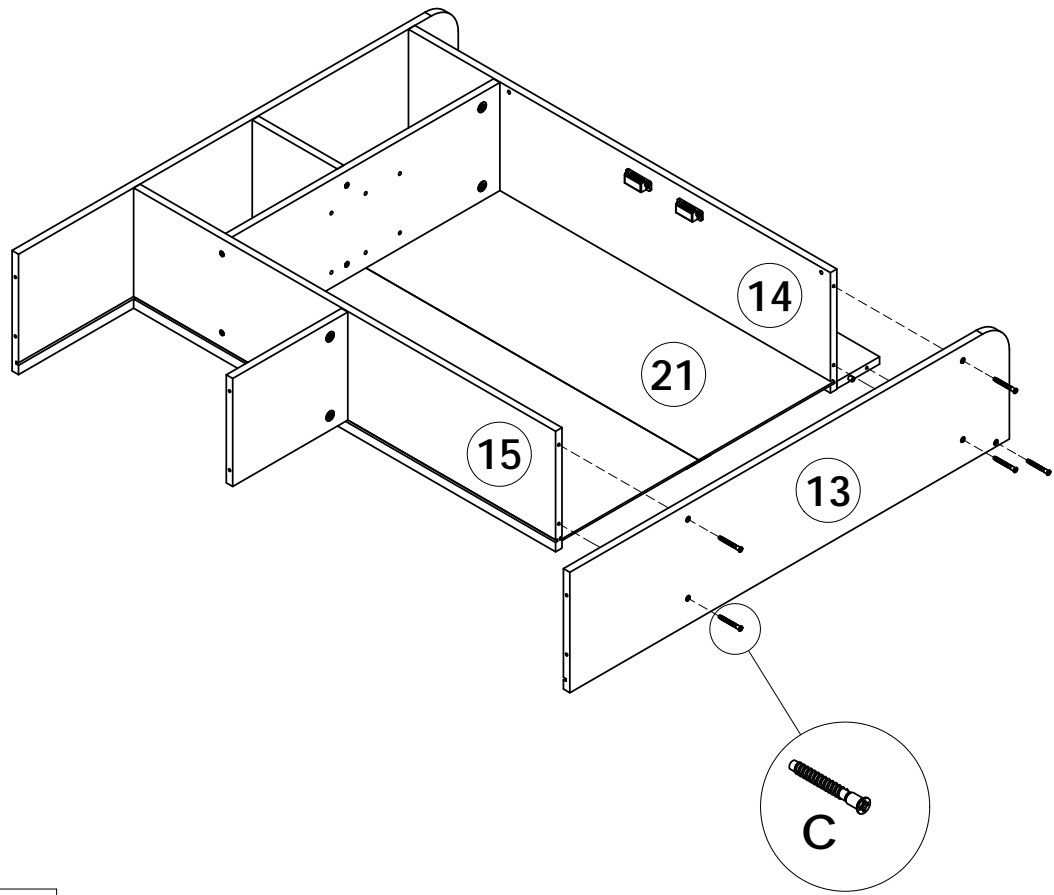
	C x 7
	D x 1

STEP 8

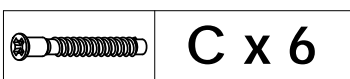
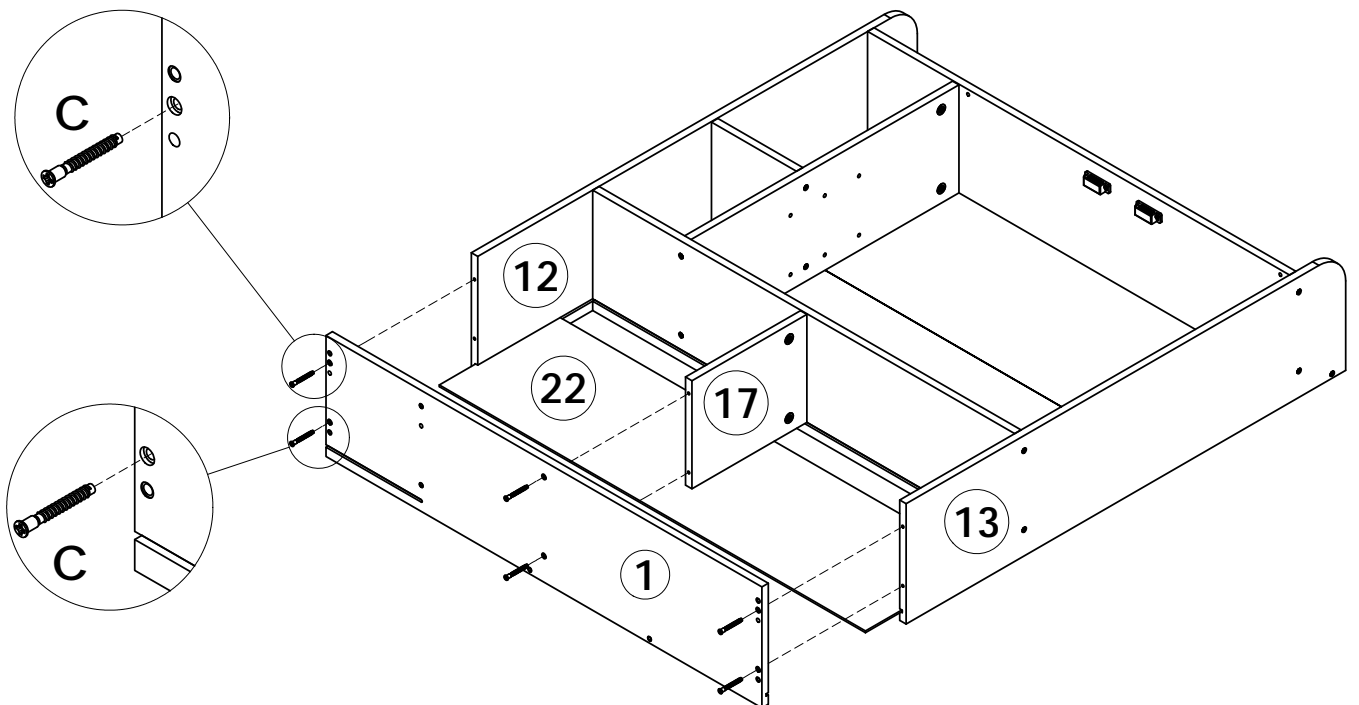


	B x 2
	D x 1

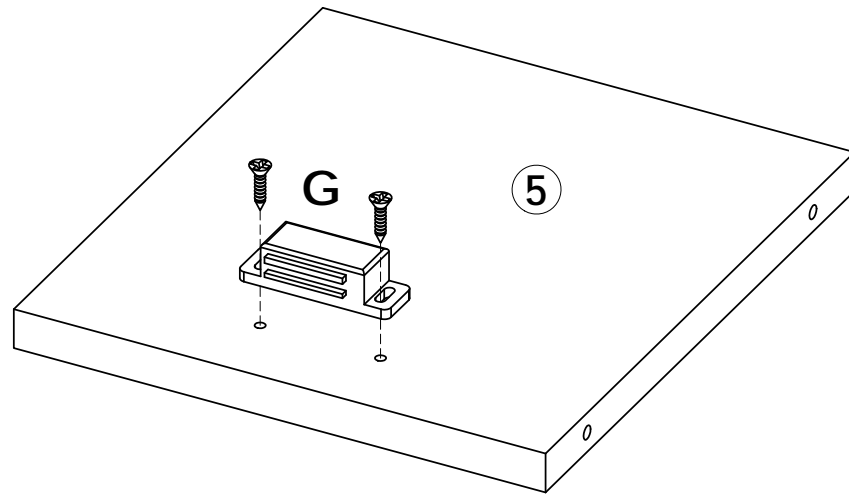
STEP 9



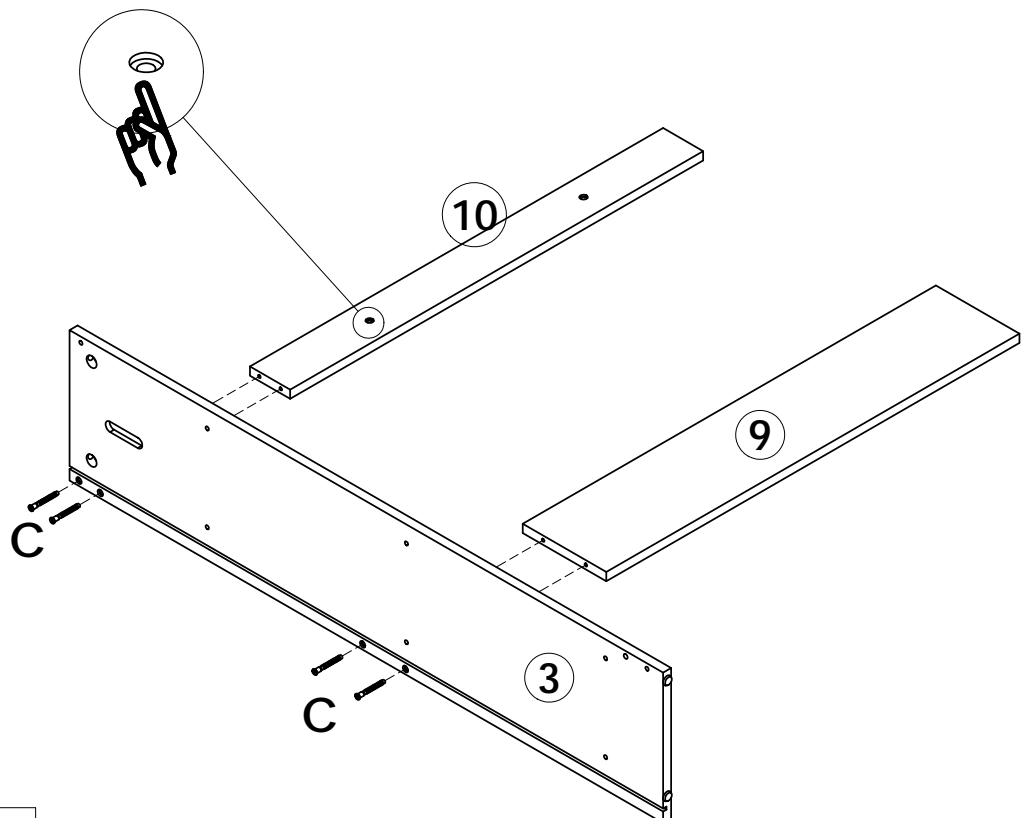
STEP 10



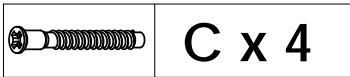
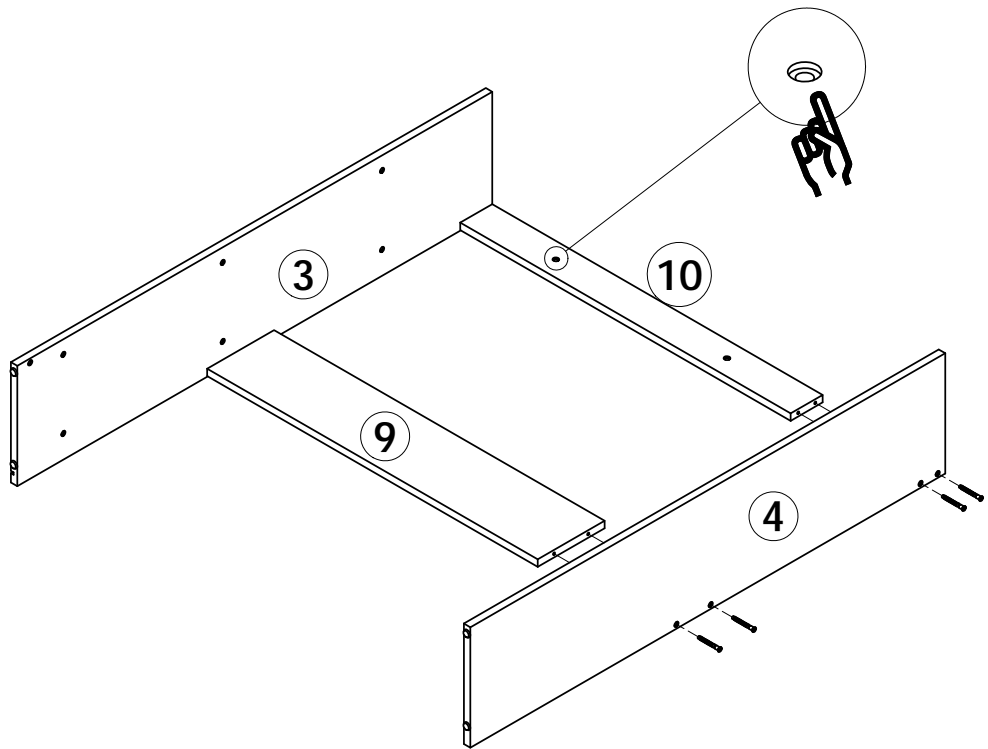
STEP 11



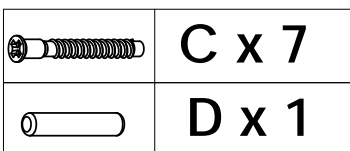
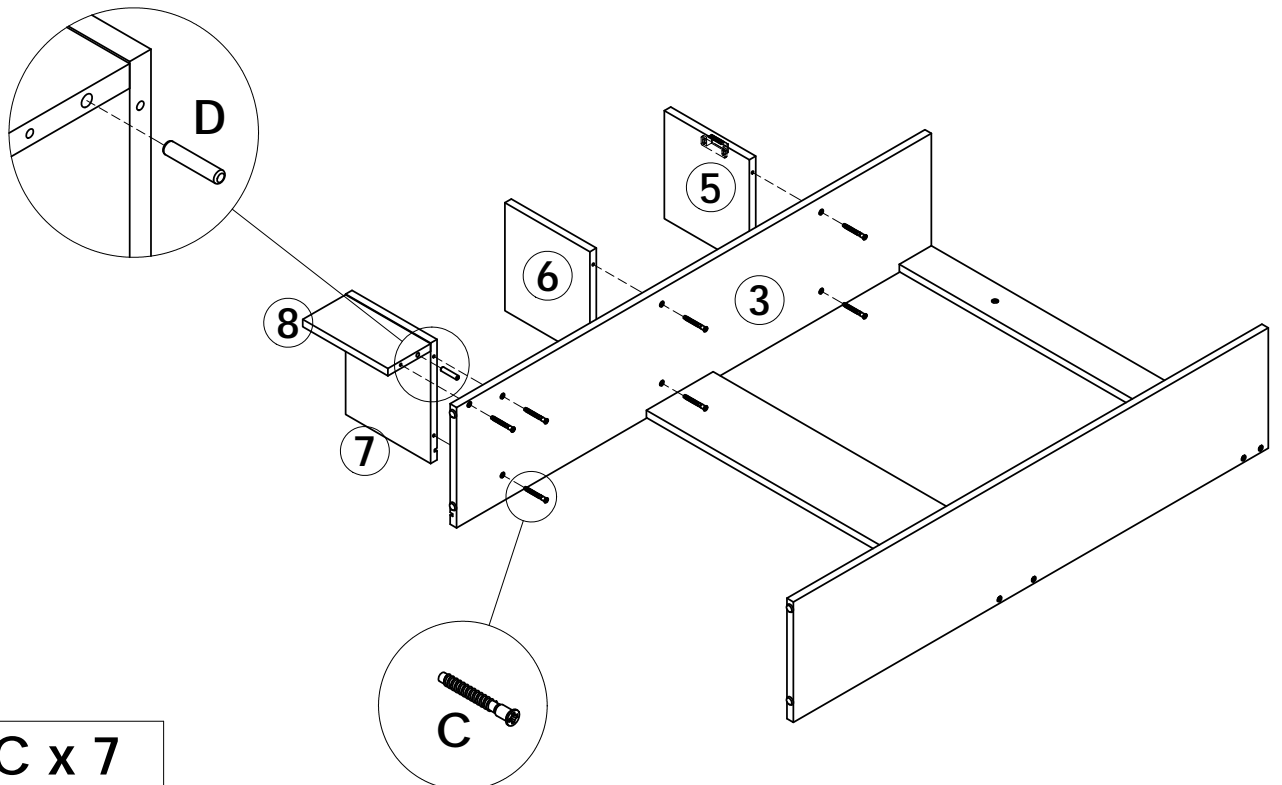
STEP 12



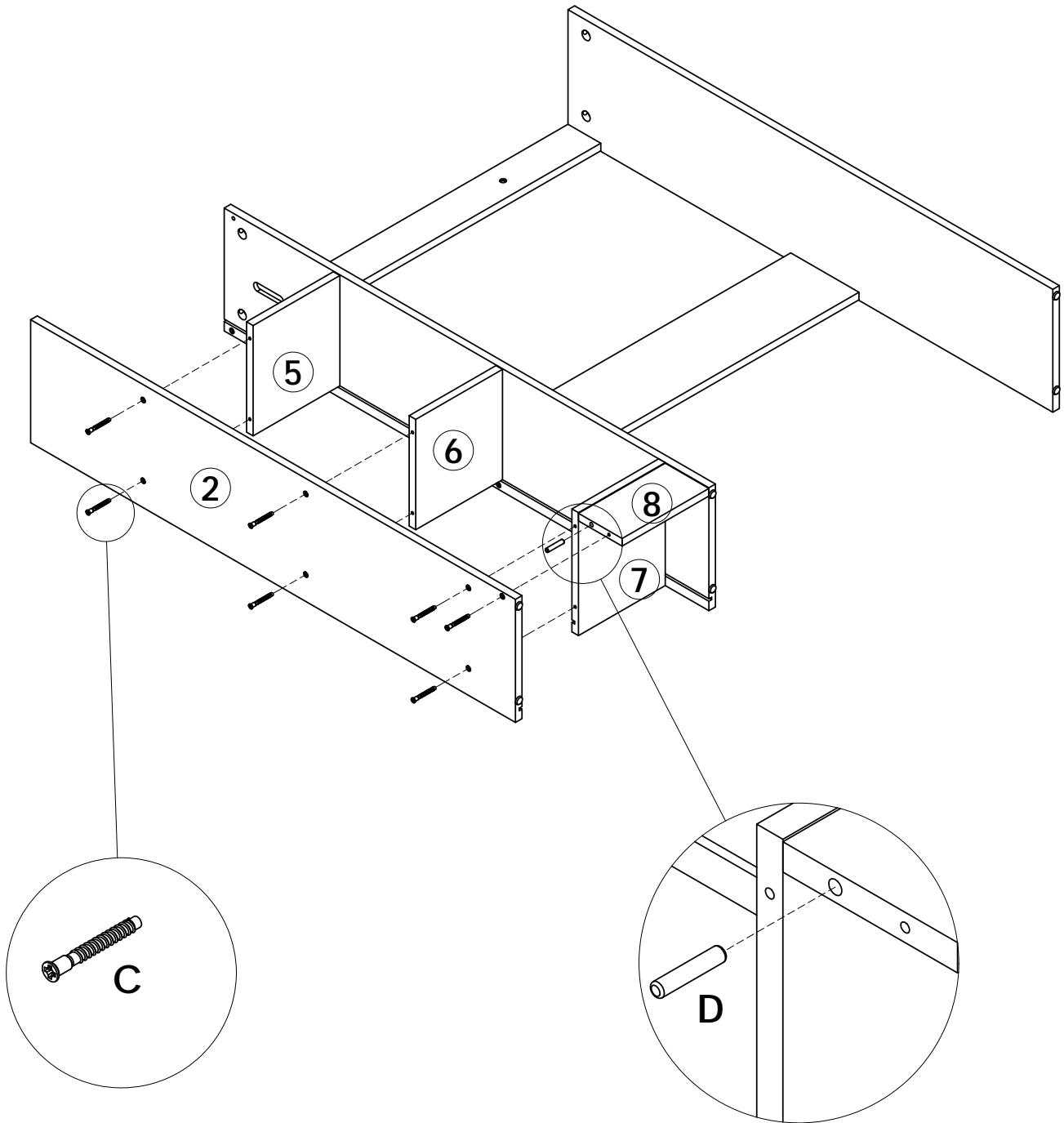
STEP 13


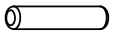


STEP 14

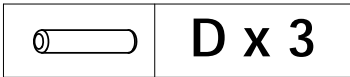
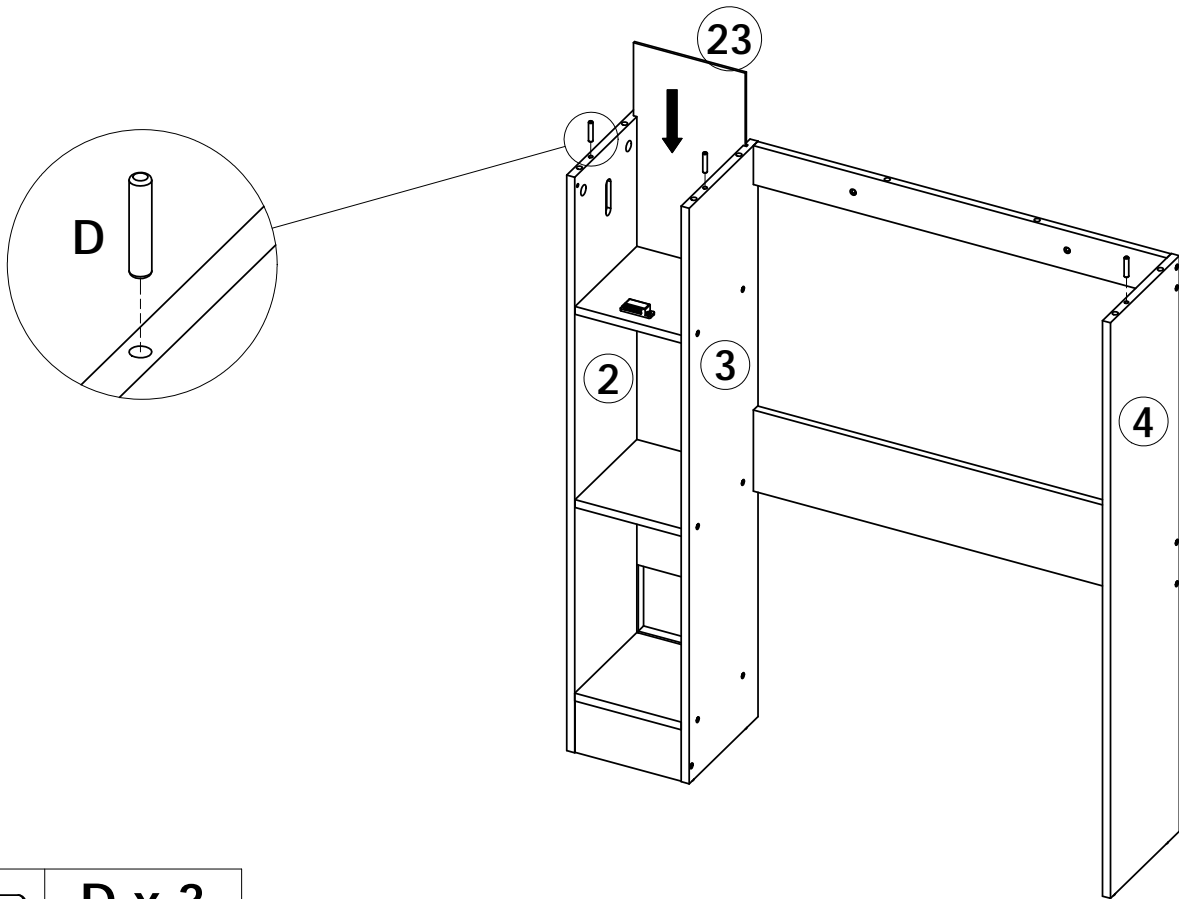


STEP 15

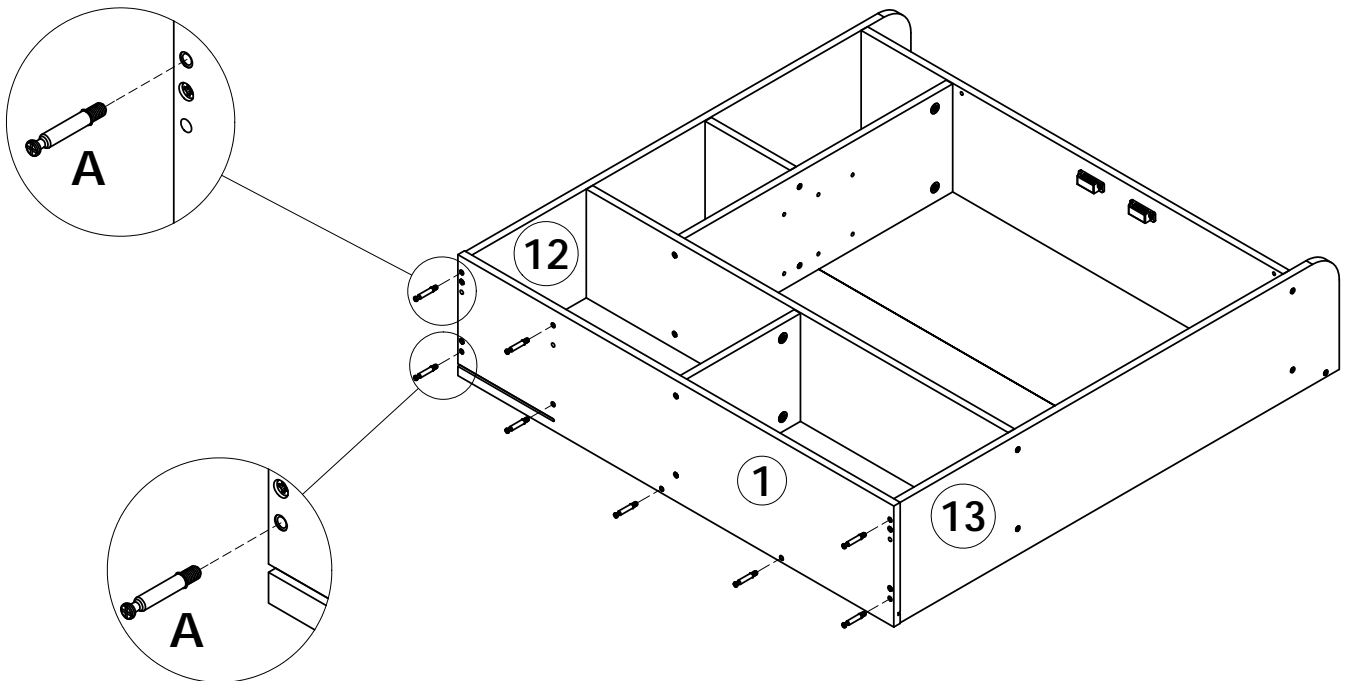


	C x 7
	D x 1

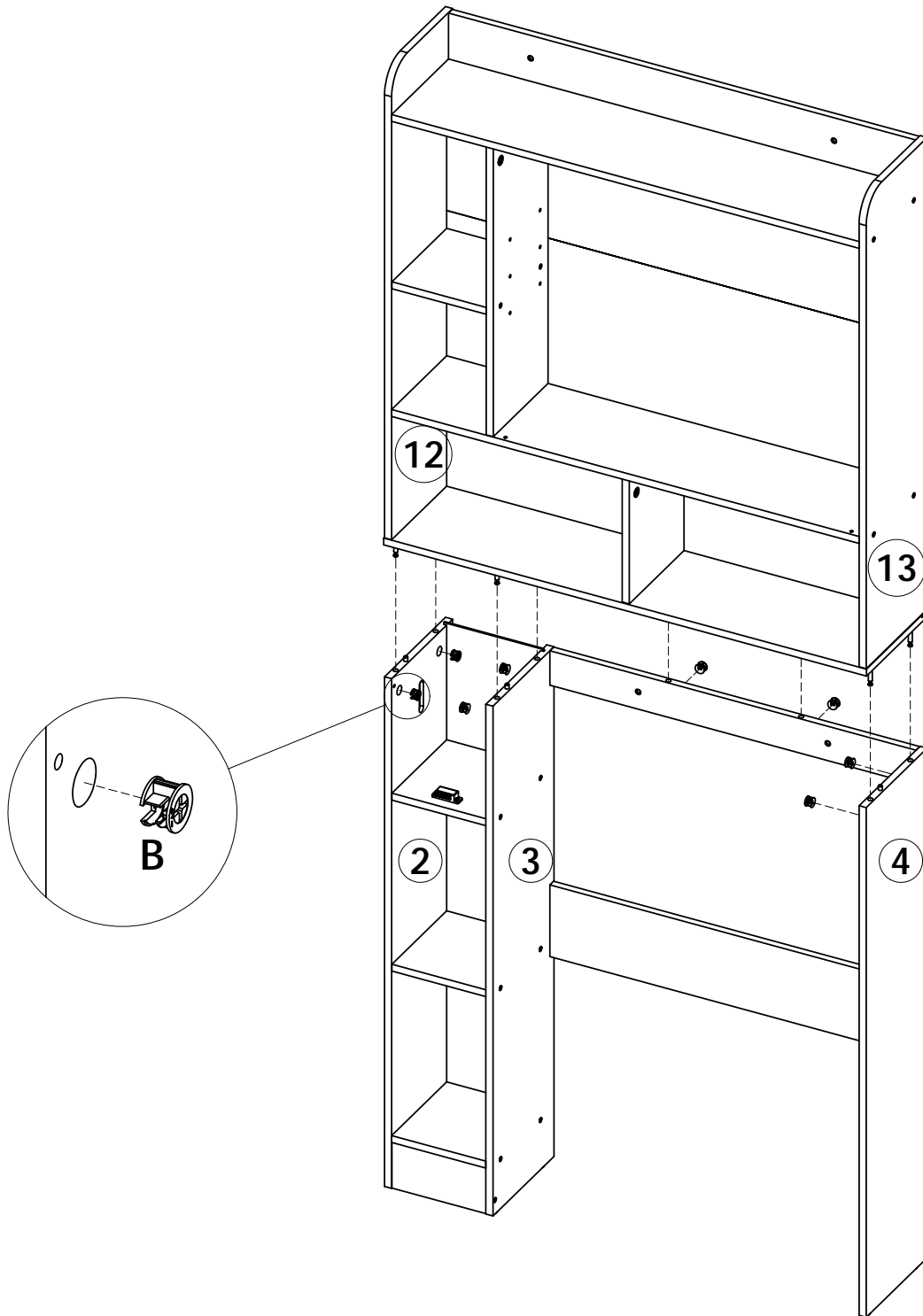
STEP 16



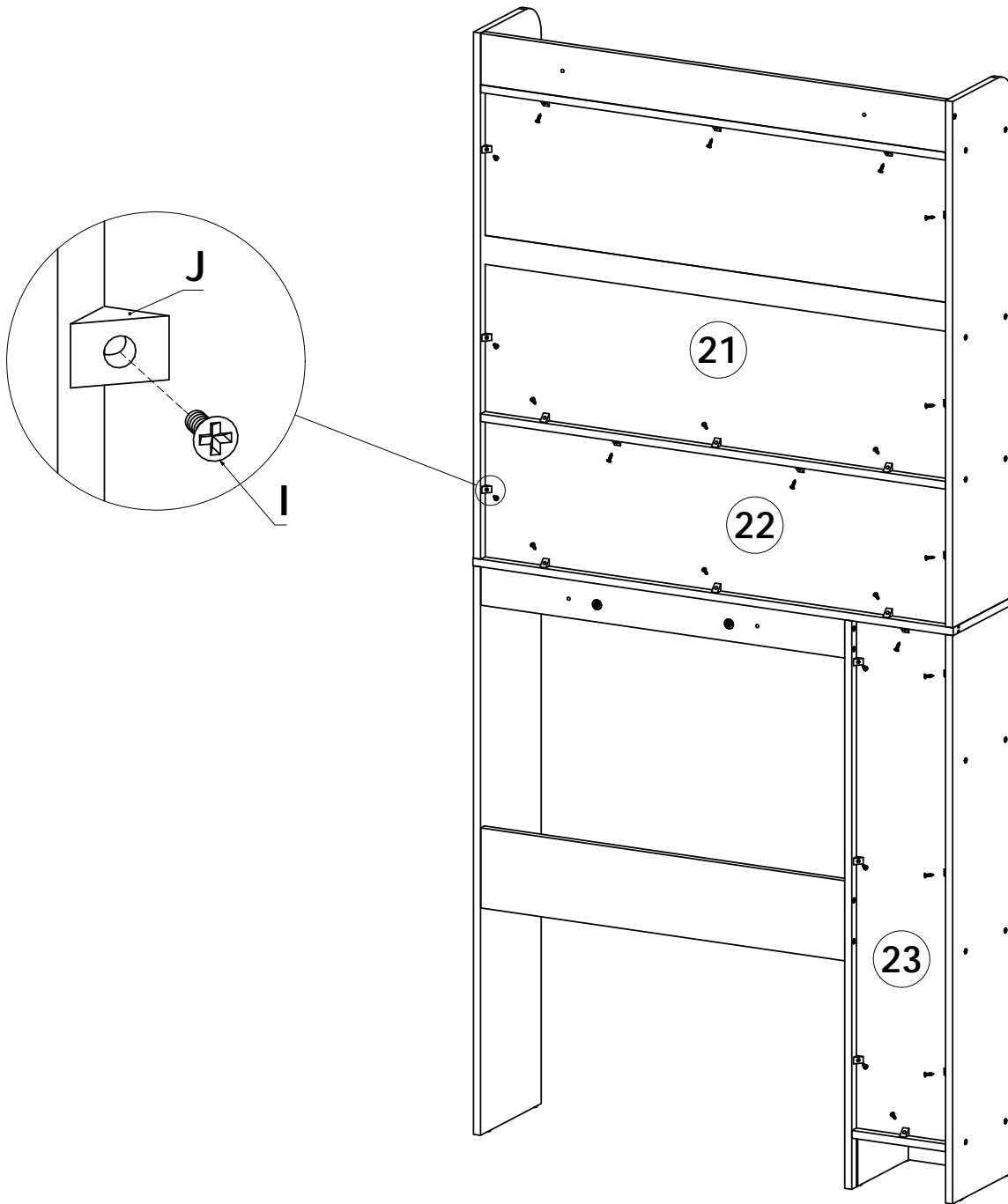
STEP 17





STEP 18

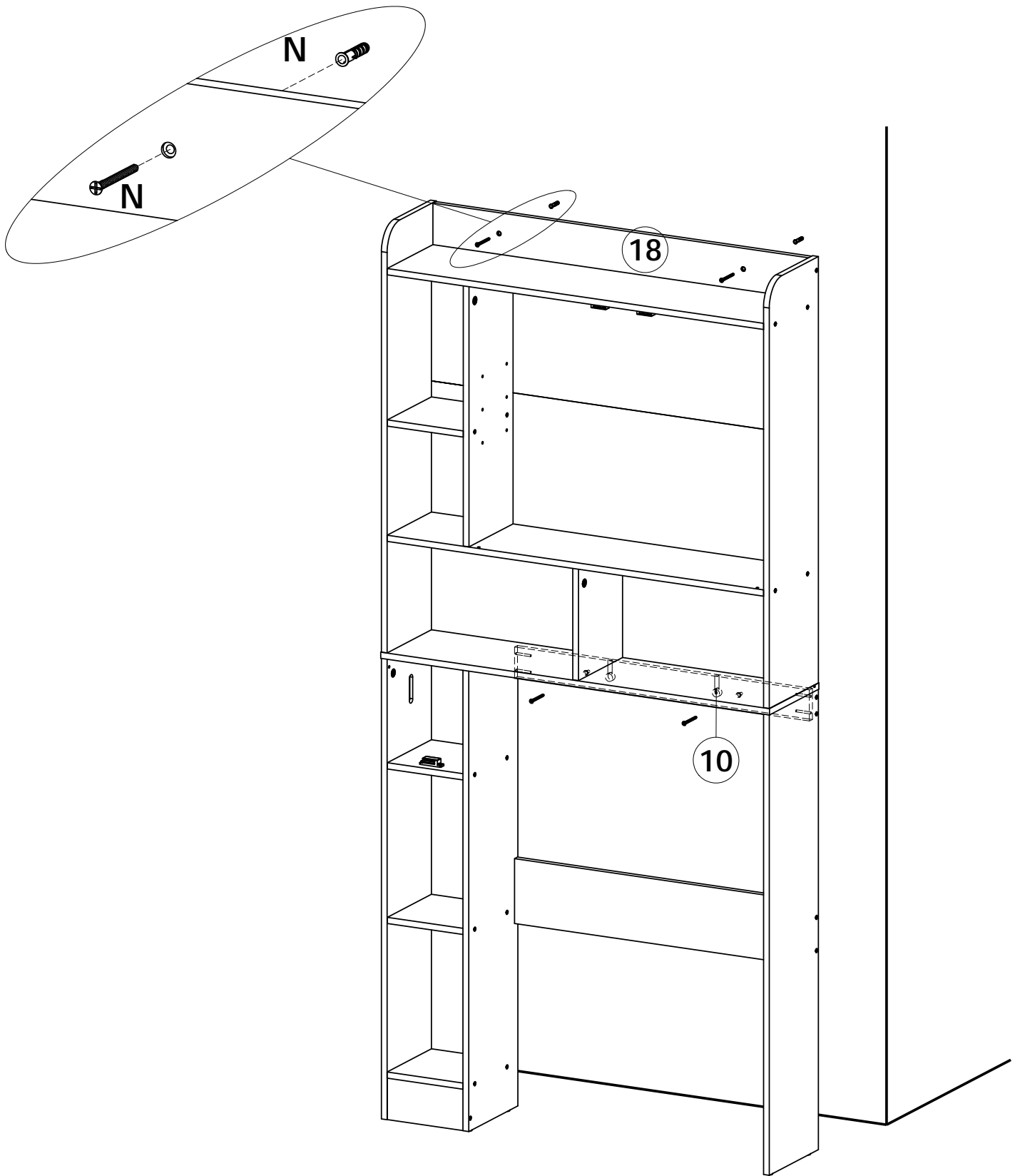


STEP 19

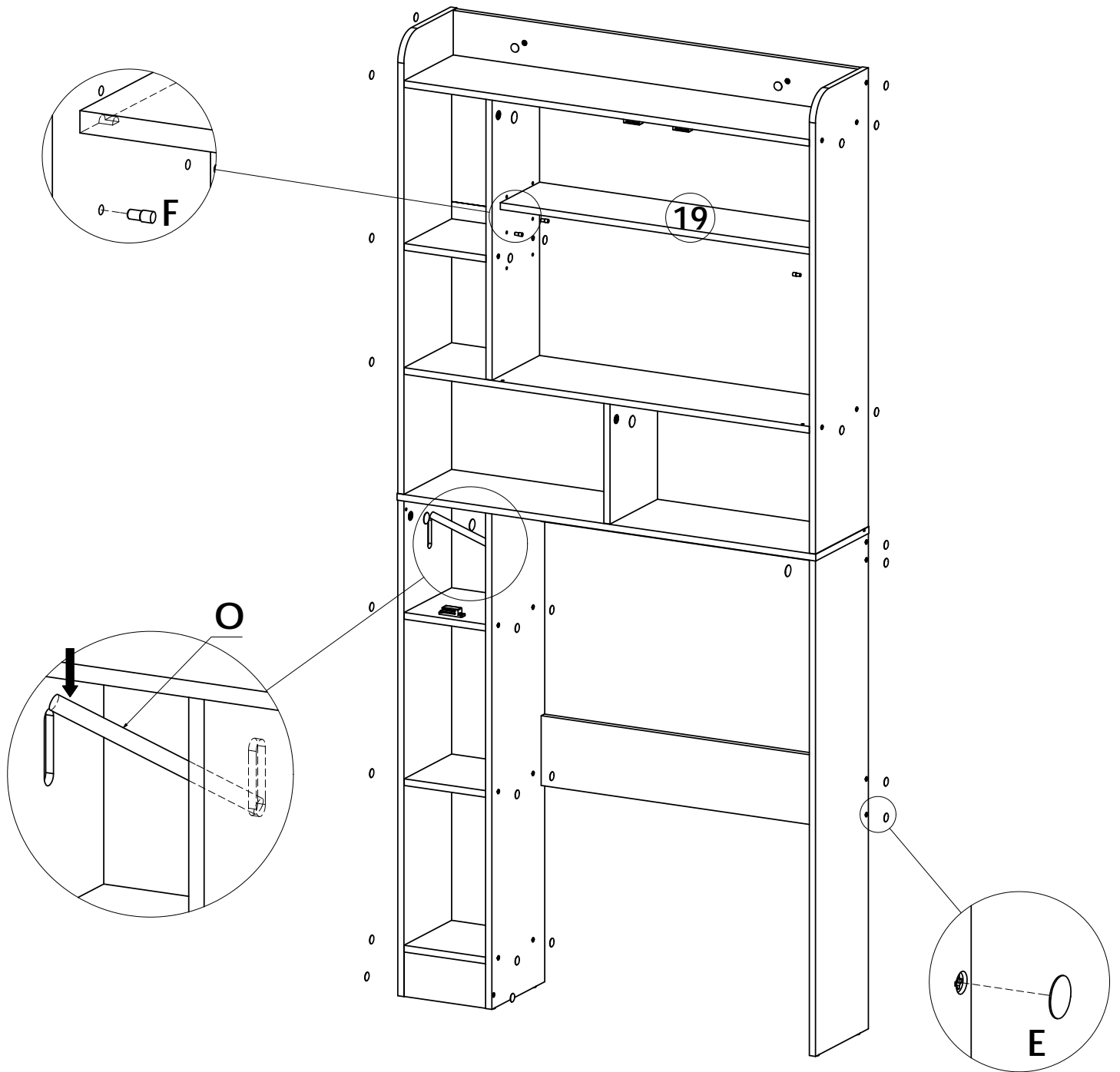




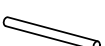
	I x 25
	J x 25

STEP 20

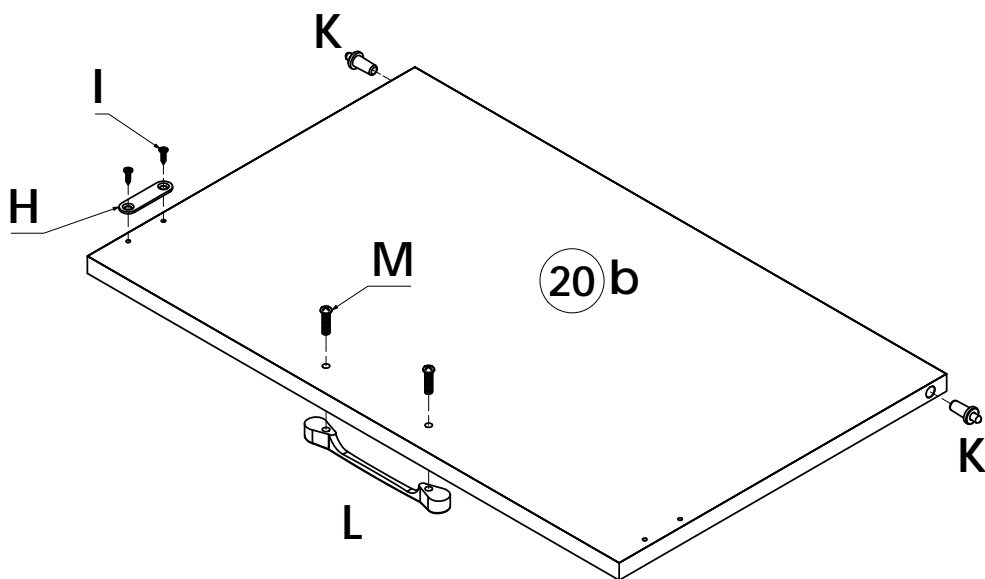
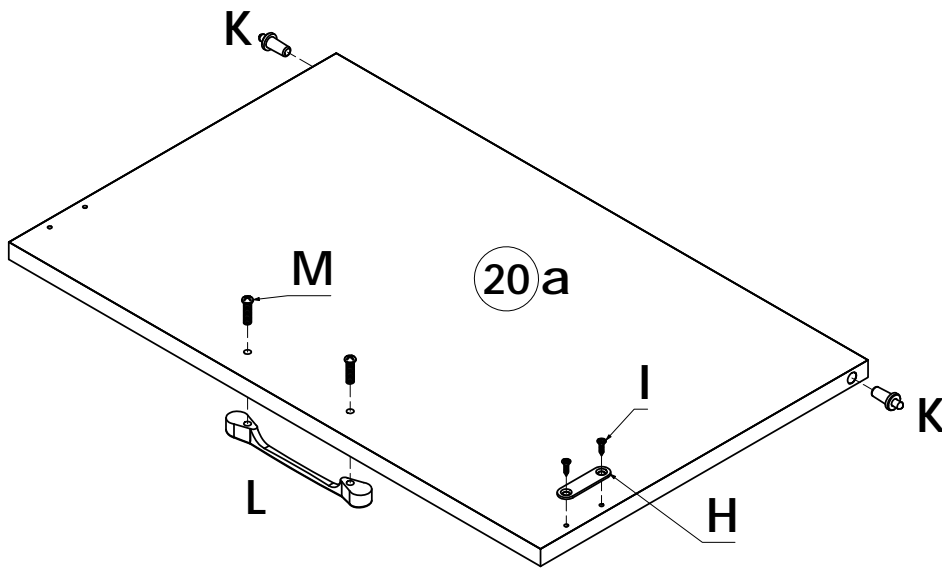
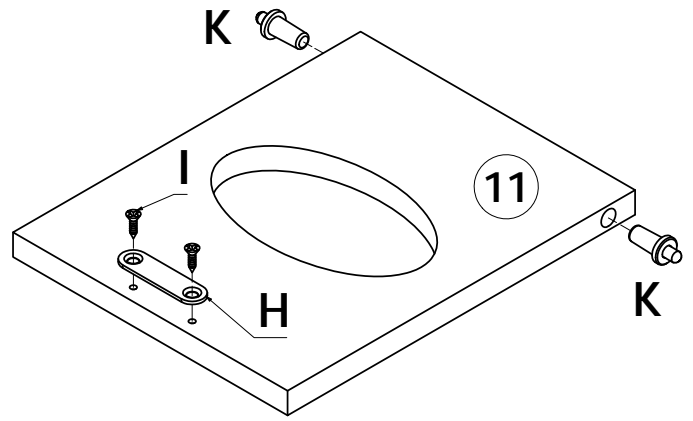


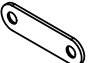




STEP 21



	E x 46
	F x 4
	O x 1

STEP 22



	H x 3		
	I x 6		L x 2
	K x 6		M x 4

STEP 23

