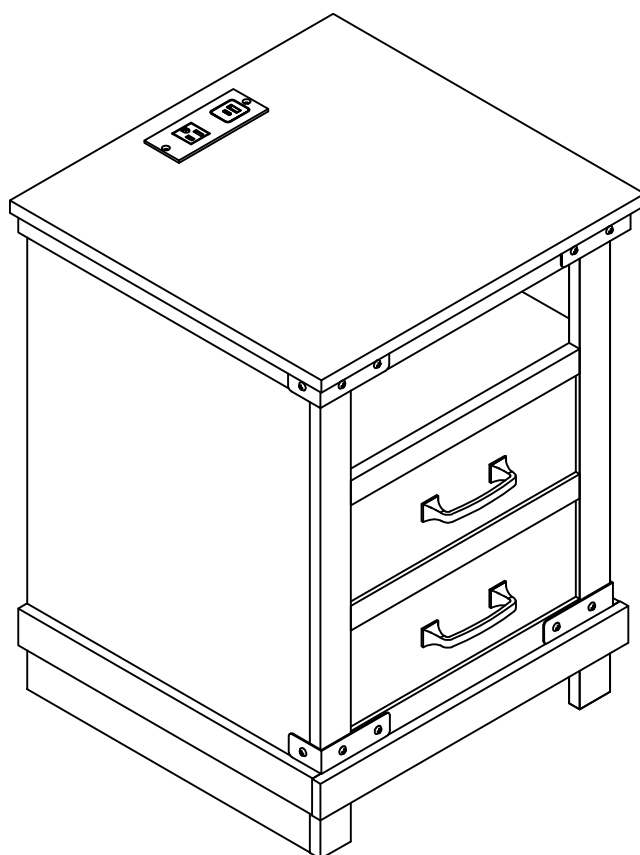


Nightstand

Assembly Instructions - Please keep for future reference



Dimensions

Width - 18inch
Depth - 17.3inch
Height - 24.2inch

Any question please feel free to contact us:
support@amer-life.com TEL:(901) 347-2181
We will provide further assistance within 24 hours.

Important – Please read these instructions fully before starting assembly



Safety and Care Advice

Important – Please read these instructions fully before starting assembly

- Check you have all the components and tools listed on the following pages.
- Remove all fittings from the plastic bags and separate them into their groups.
- Keep children and animals away from the work area, small parts could choke if swallowed.
- Make sure you have enough space to layout the parts before starting.

- During assembly do not stand or put weight on the product, this could cause damage.
- Assemble the item as close to its final position (in the same room) as possible.
- Assemble on a soft level surface to avoid damaging the unit or your floor.
- Parts of the assembly will be easier with 2 people.



- To reduce the likelihood of damaging your product please ensure that your power drill is set on a low torque setting.

Care and maintenance

- Only clean using a damp cloth and mild detergent, do not use bleach or abrasive cleaners.
- From time to time check that there are no loose screws on this unit.
- This product should not be discarded with household waste. Take to your local authority waste disposal centre.

Handy Hints

- Assemble all parts and bolts loosely during assembly, only once the product is complete should you fully tighten the bolts
- Regularly check and ensure that all bolts and fittings are tightened properly.

WARNING In order to help prevent overturning – please follow these instructions

To help prevent product toppling over please follow the below steps:-

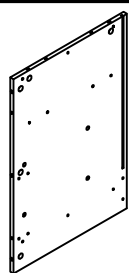
Use the anti tip strap or wall fixing method provided (if applicable)
Do not allow children to climb or hang on the furniture
Do not open more than one drawer at a time
Do not place heavy items in the top drawers
Do not place heavy items on top of the furniture, unless the furniture has been designed for this purpose

please note that only the anti tip strap is provided.

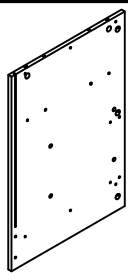
You will need to provide wall plugs and screws applicable for your wall type

Components - Panels

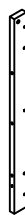
Please check you have all the panels listed below



1 (595X400X12mm)X1



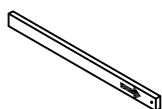
2 (595X400X12mm)X1



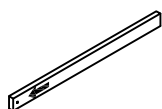
3 (595X43X15mm)X1



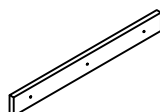
4 (595X43X15mm)X1



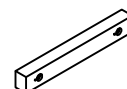
5 (416X30X12mm)X1



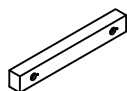
6 (416X30X12mm)X1



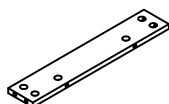
7 (416X45X12mm)X2



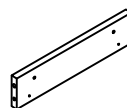
8 (300X40X30mm)X2



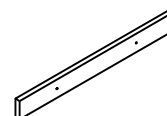
9 (300X40X30mm)X2



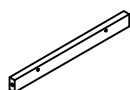
10 (384X70X12mm)X2



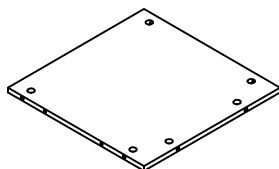
11 (323X75X15mm)X1



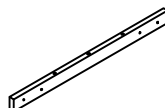
12 (435X45X12mm)X1



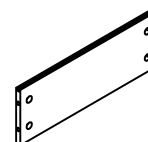
13 (323X30X15mm)X2



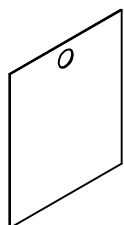
14 (384X384X12mm)X1



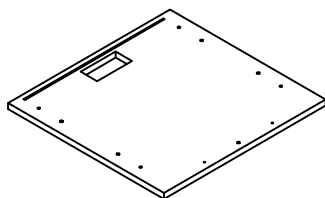
15 (435X30X12mm)X1



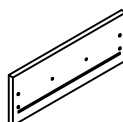
16 (384X135X12mm)X1



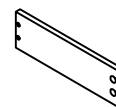
17 (470X394X2.7mm)X1



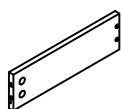
18 (457X440X15mm)X1



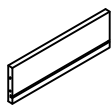
19 (318X118X12mm)X2



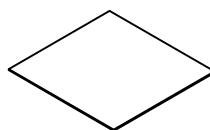
20 (300X88X12mm)X2



21 (300X88X12mm)X2



22 (275X88X12mm)X2



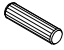
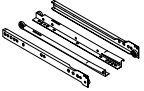



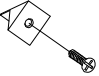



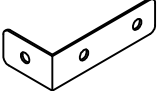





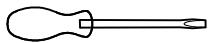
23 (285X297X2.7mm)X2

Components - Fittings

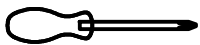
Please check you have all the hardware listed below

Note: The quantitie below are the correctet amount to complete the assembly. In some cases more fittings may be supplied than are required.

A  Male Camlock x 42	B  Female Camlock x 42	C  Dowel x 19
D  Drawer slider 12"x 2	E  4*12mm Screw x 12	F  3*12mm Screw x 16
G  4*30mm Screw x 10	H  Back Panel Stiffener x 4	I  4*20mm Screw x 16
J  6*30mm Screw x 8	K  Handle & Fixings x 2	L  x 4
M  Protective Feet x 6	N  Socket x1	O  3.5*14mm Screw x 2

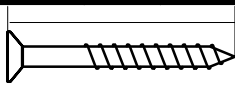


Tools required



Phillips screwdriver
(medium & large)

Ruler - Use this ruler to help correctly identify the screws



The screws length is measured from the head to the point (30mm screw shown).

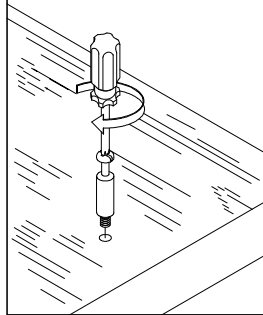
Using Camlocks

Step 1

Connect the male camlock as directed in the assembly instructions using a screwdriver.

1

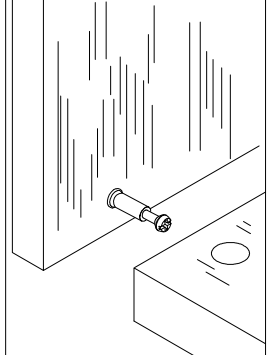
DO NOT OVER TIGHTEN.
NE PAS SERRER EXCESSIVEMENT.



Step 2

Push the male camlock into the entry hole.

2

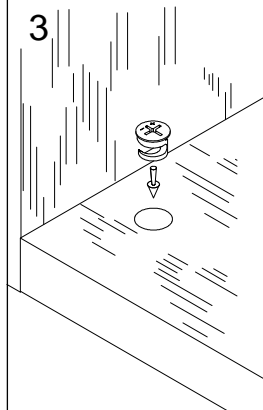


Step 3

Insert the female camlock as shown in the instruction.

Note: ensure that the arrow on the top of the camlock points towards the entry hole for the male camlock.

3



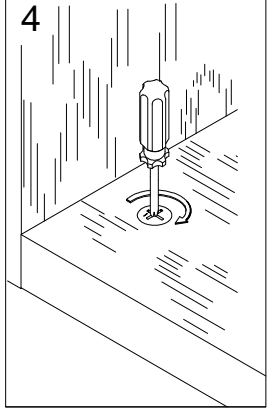
Step 4

Turn the female camlock clockwise with a screwdriver.

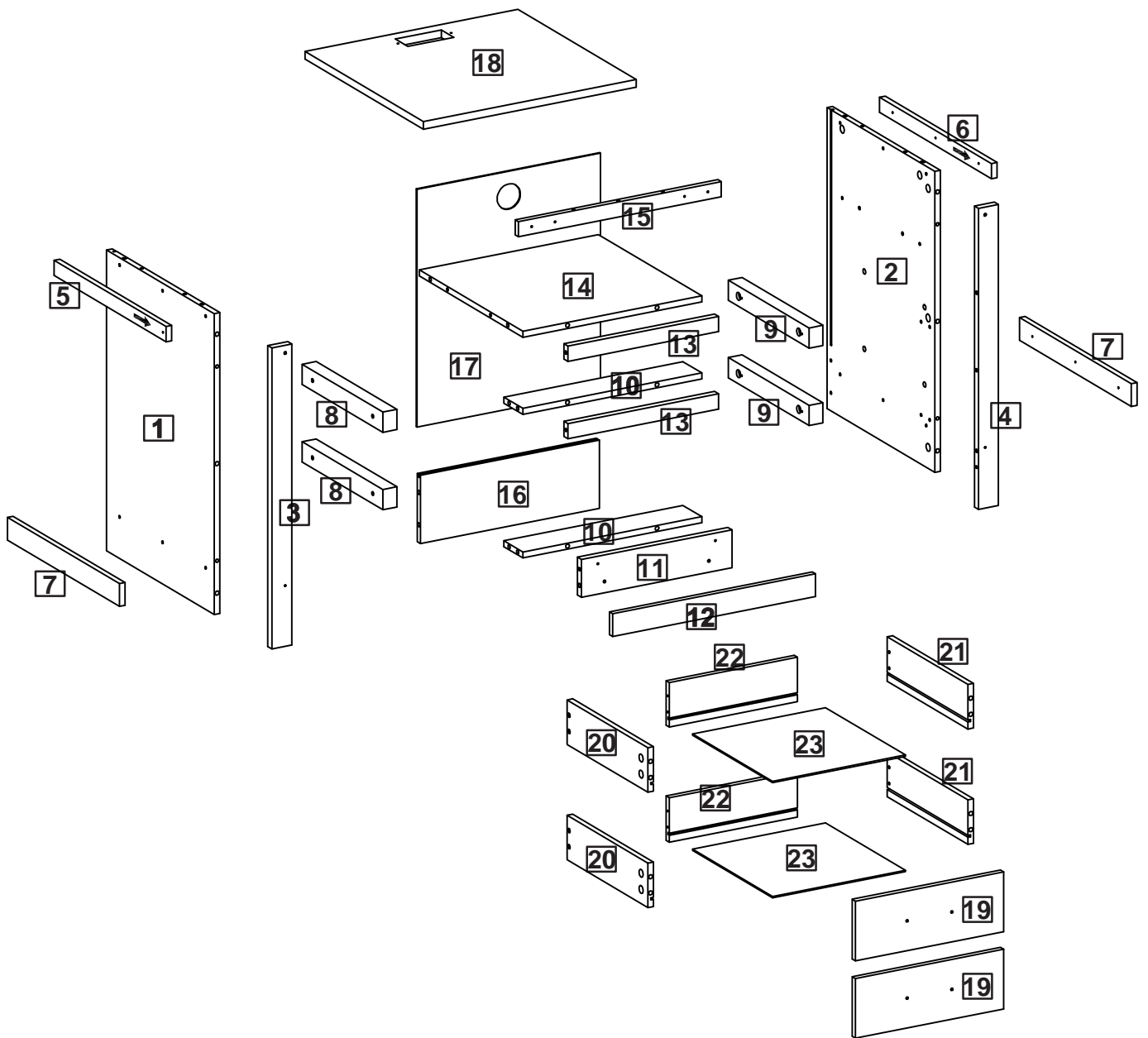
You should feel a click when the camlock is locked in place.

The joint is now secure.

4

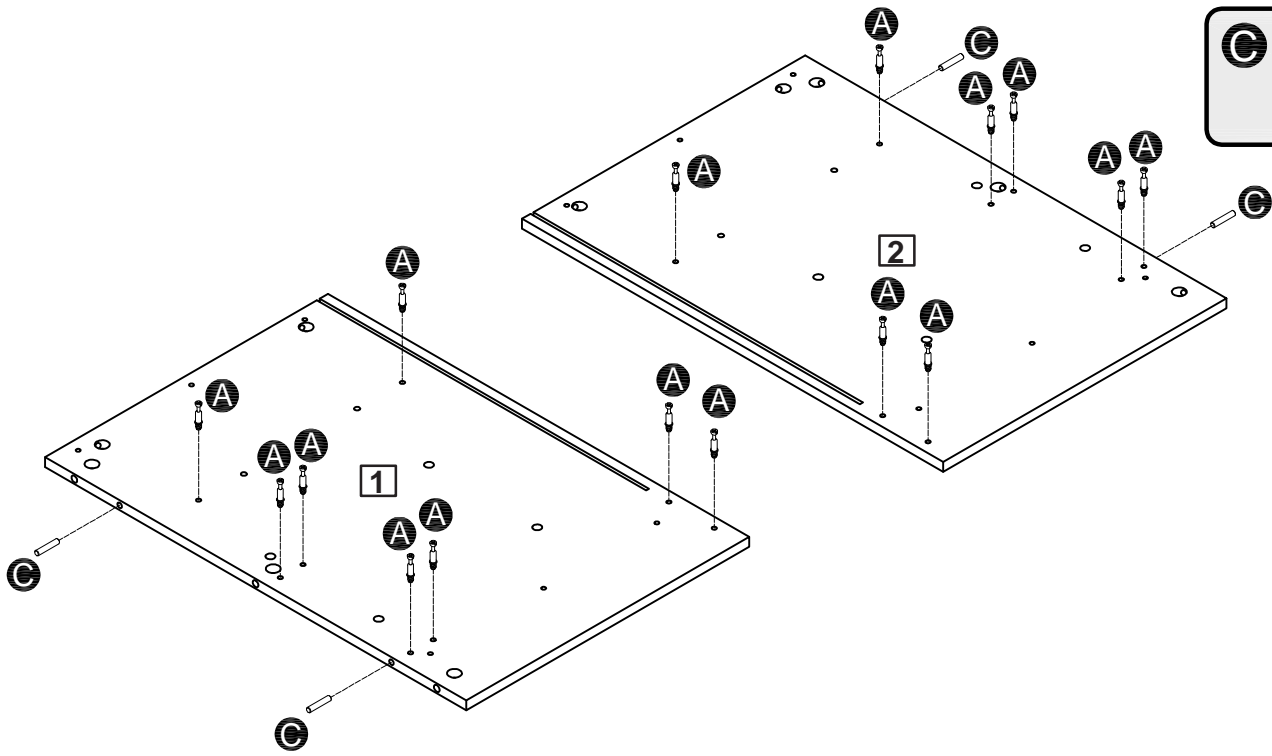


Assembly Instructions

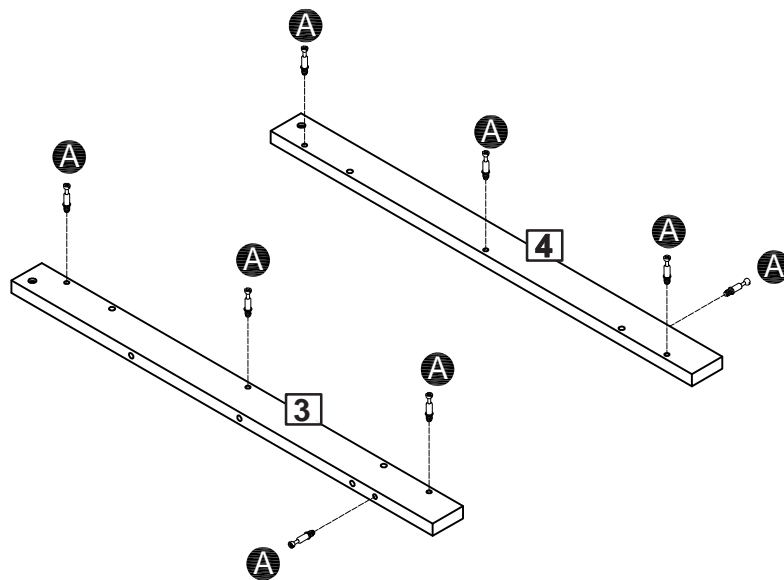


Assembly Instructions

Step 1



Step 2



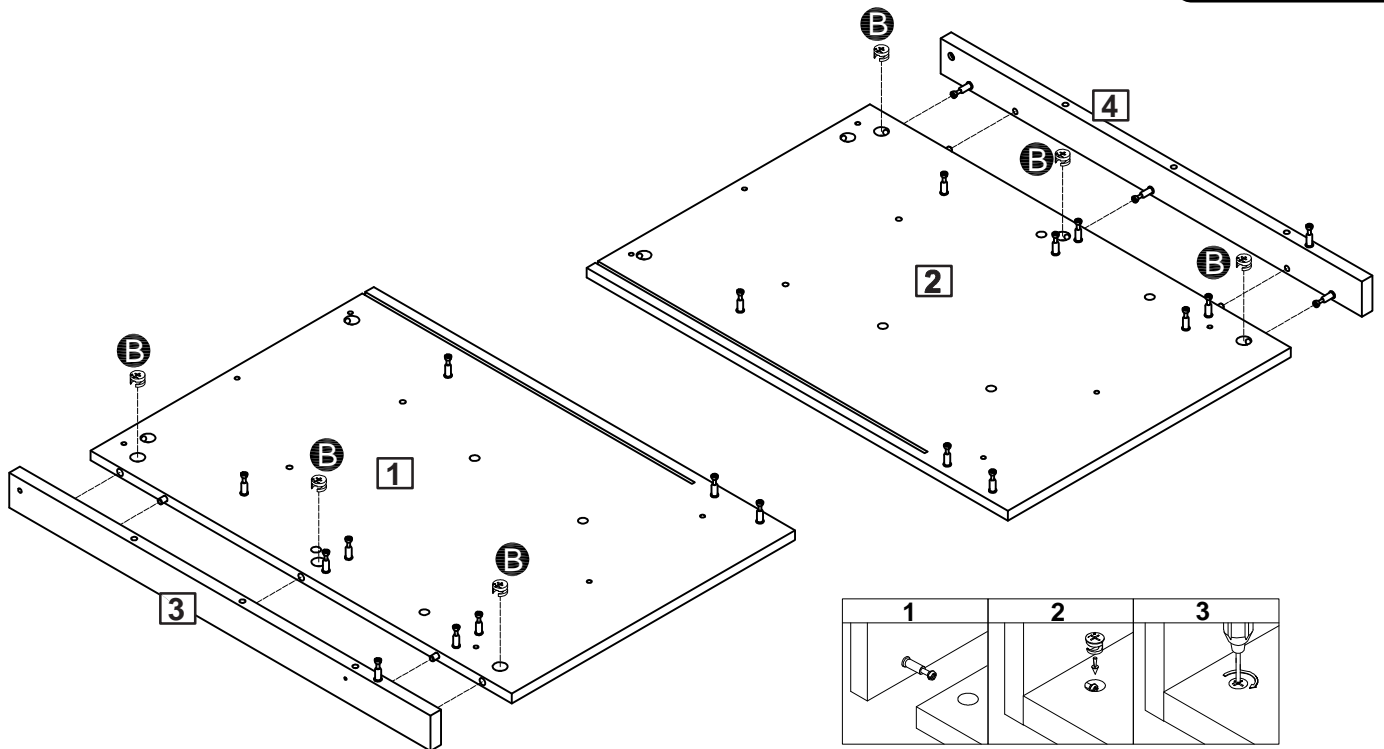
Assembly Instructions

Step 3

B



B x 6

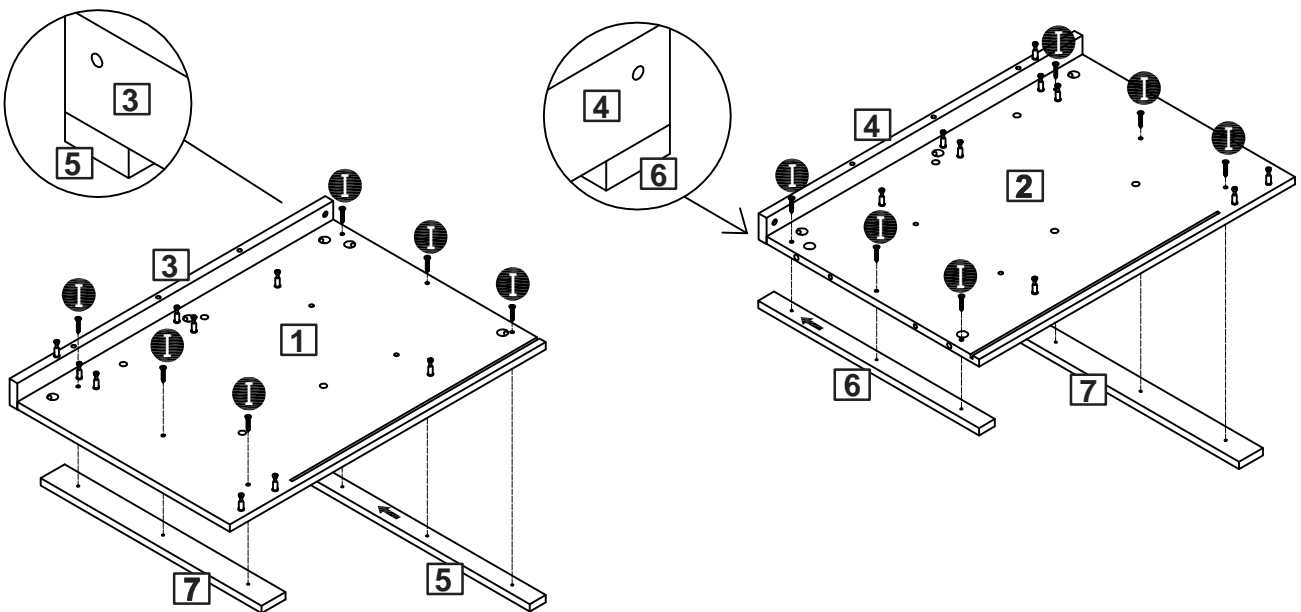


Step 4

I



I x 12



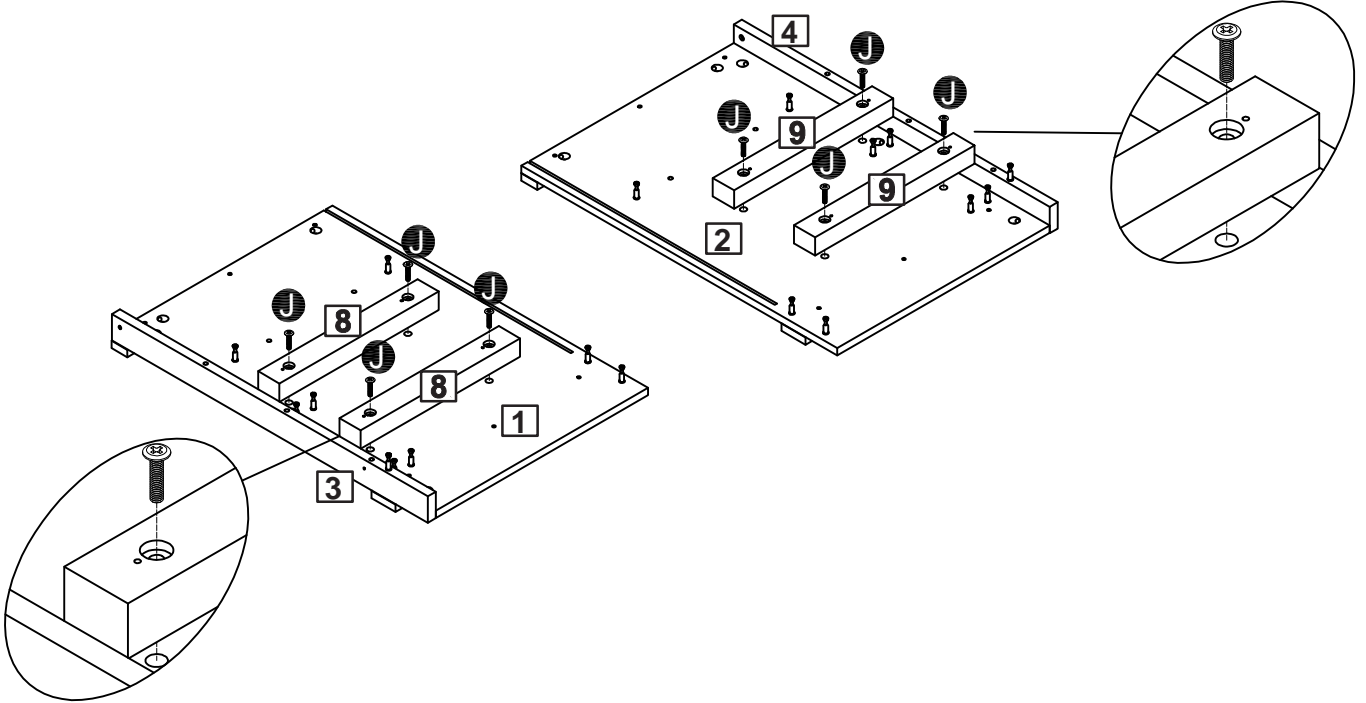
Assembly Instructions

Step 5

J



J x 8

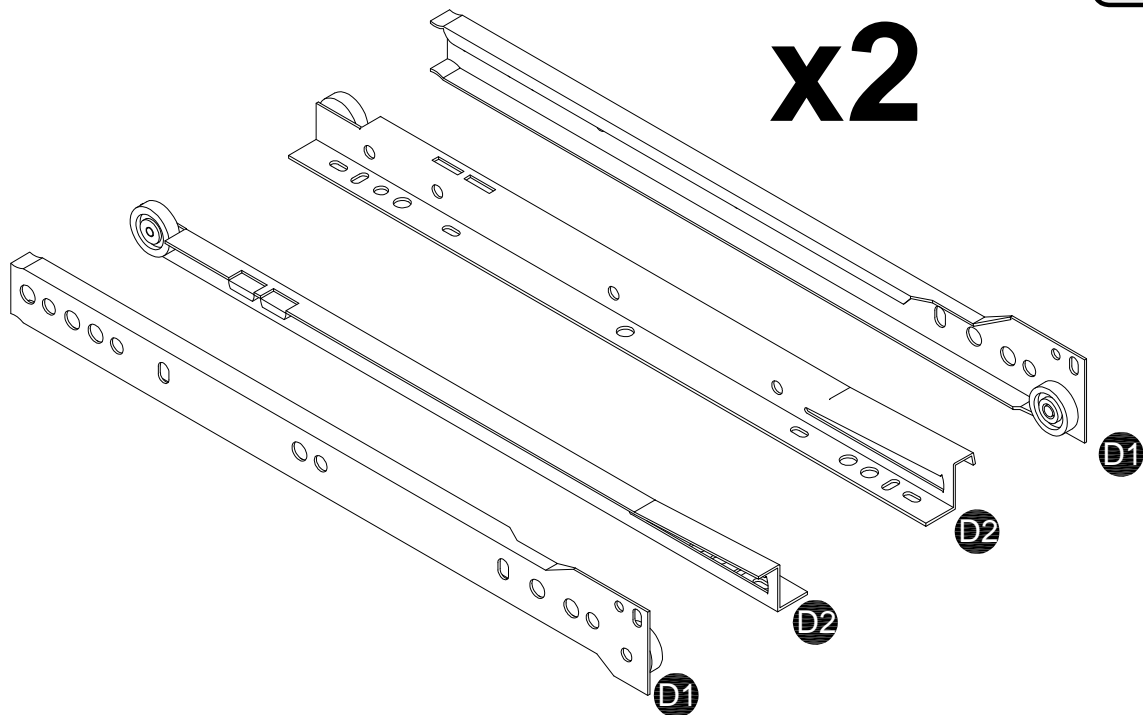


Step 6

D

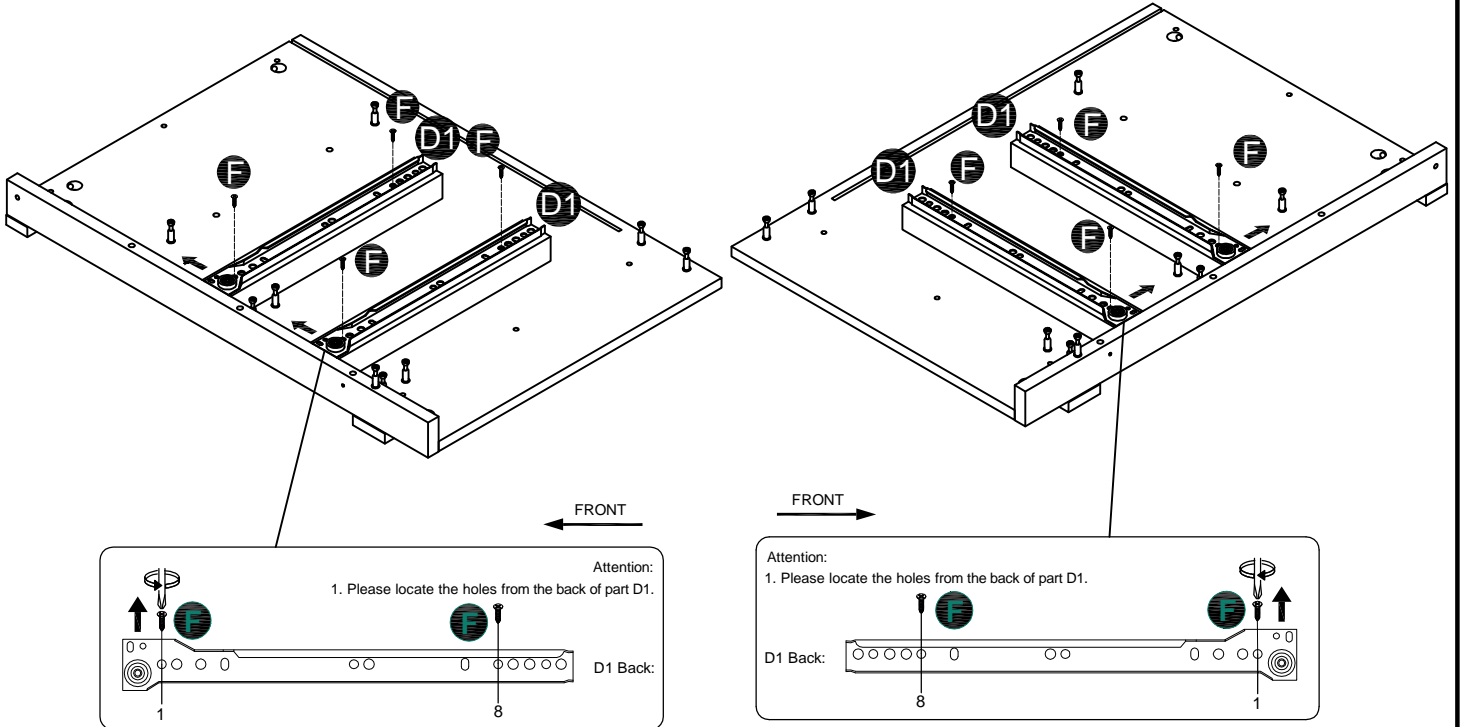


D x 2

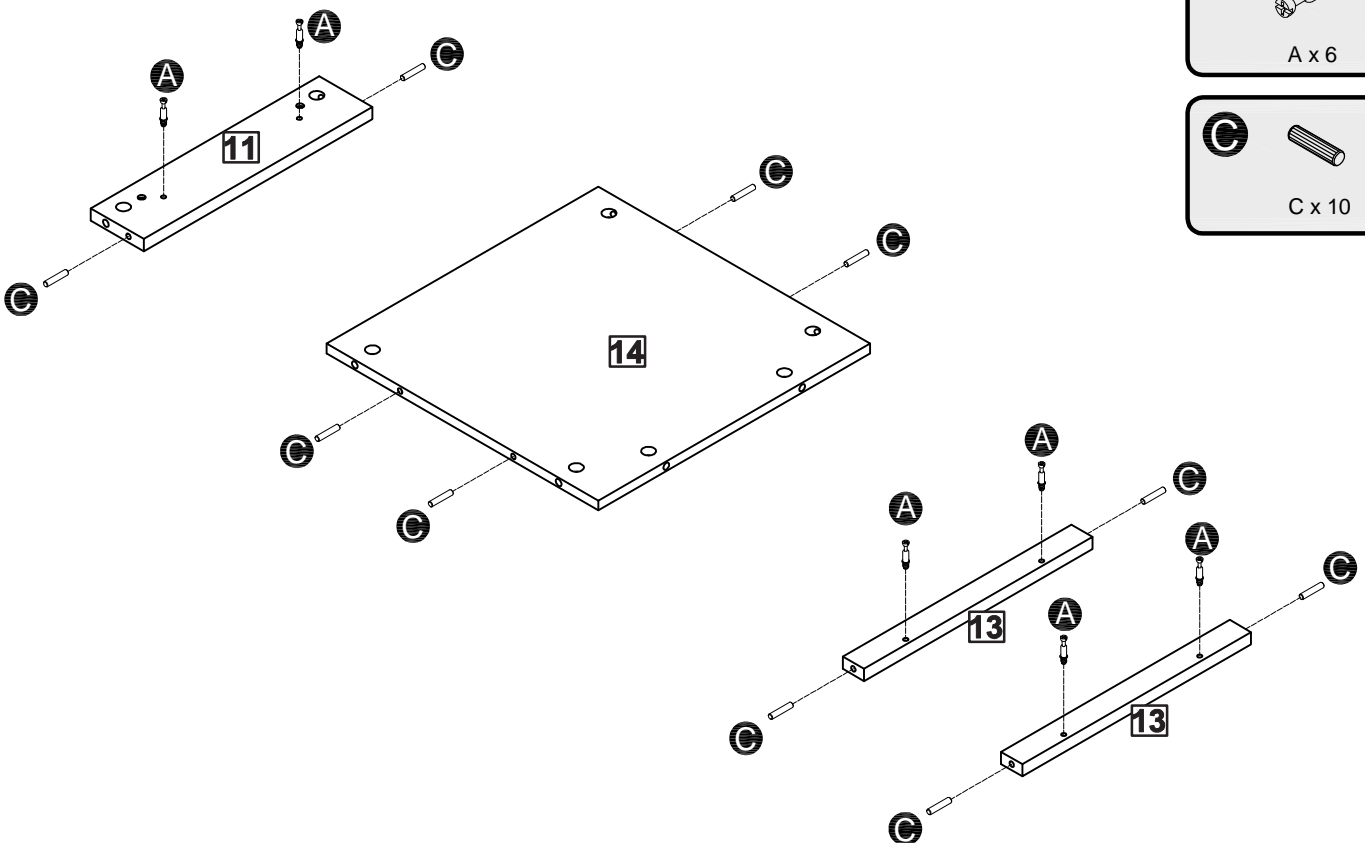
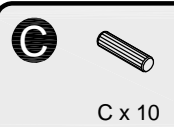
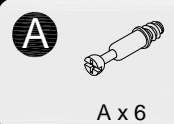


Assembly Instructions

Step 7



Step 8



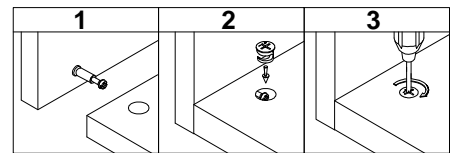
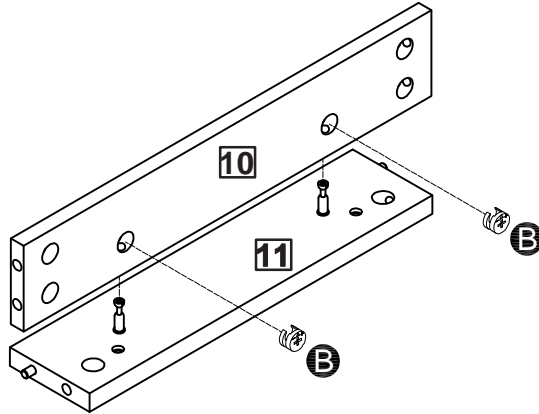
Assembly Instructions

Step 9

B



B x 2

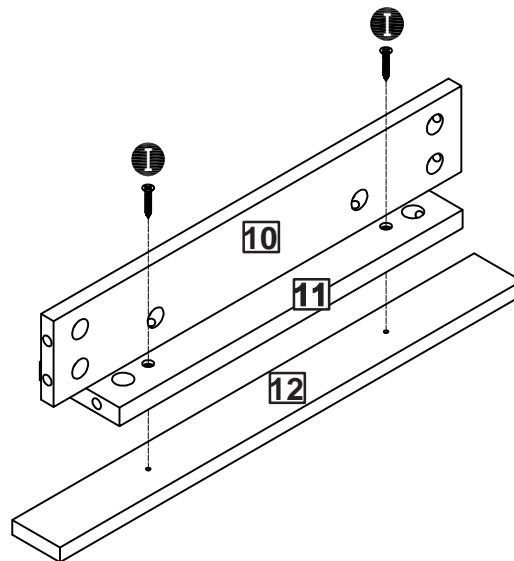


Step 10

I

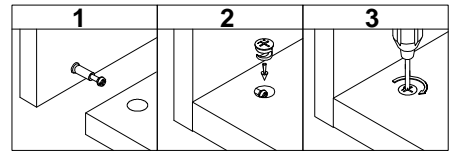
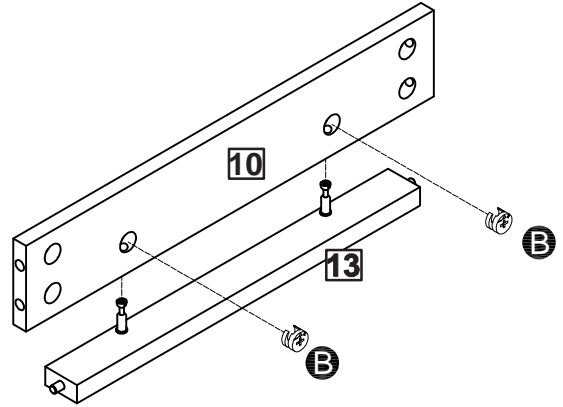
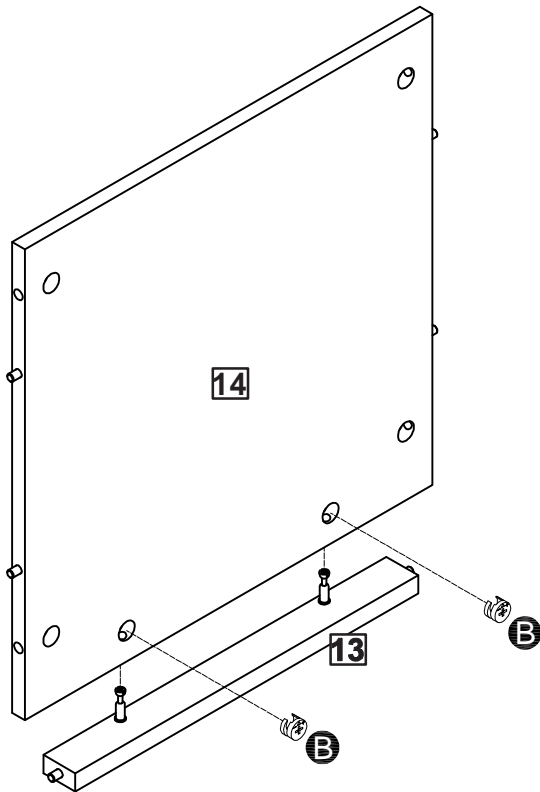


I x 2

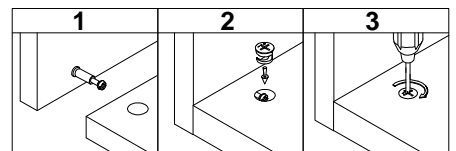
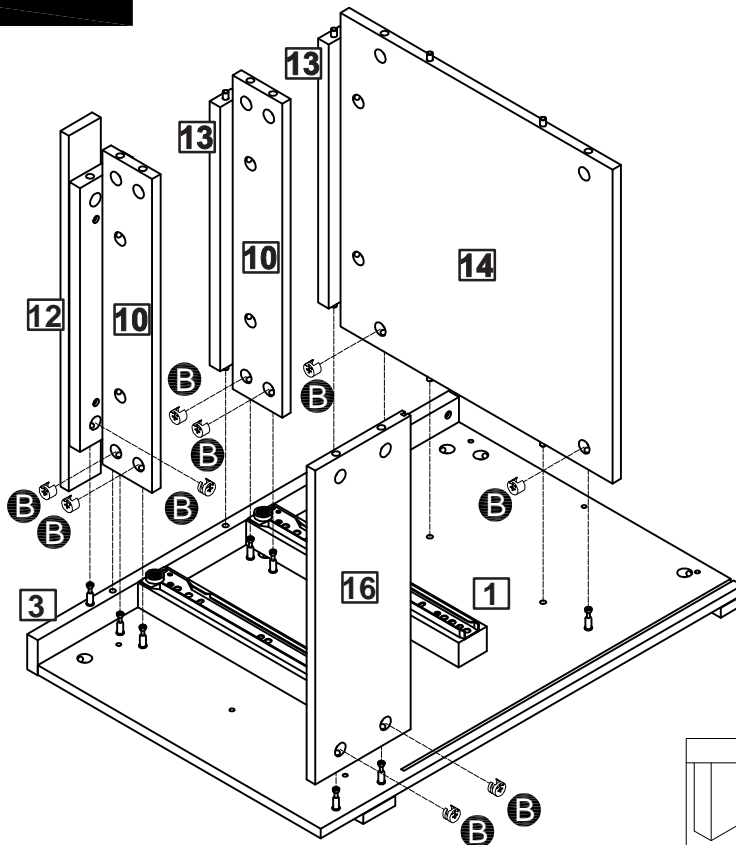


Assembly Instructions

Step 11

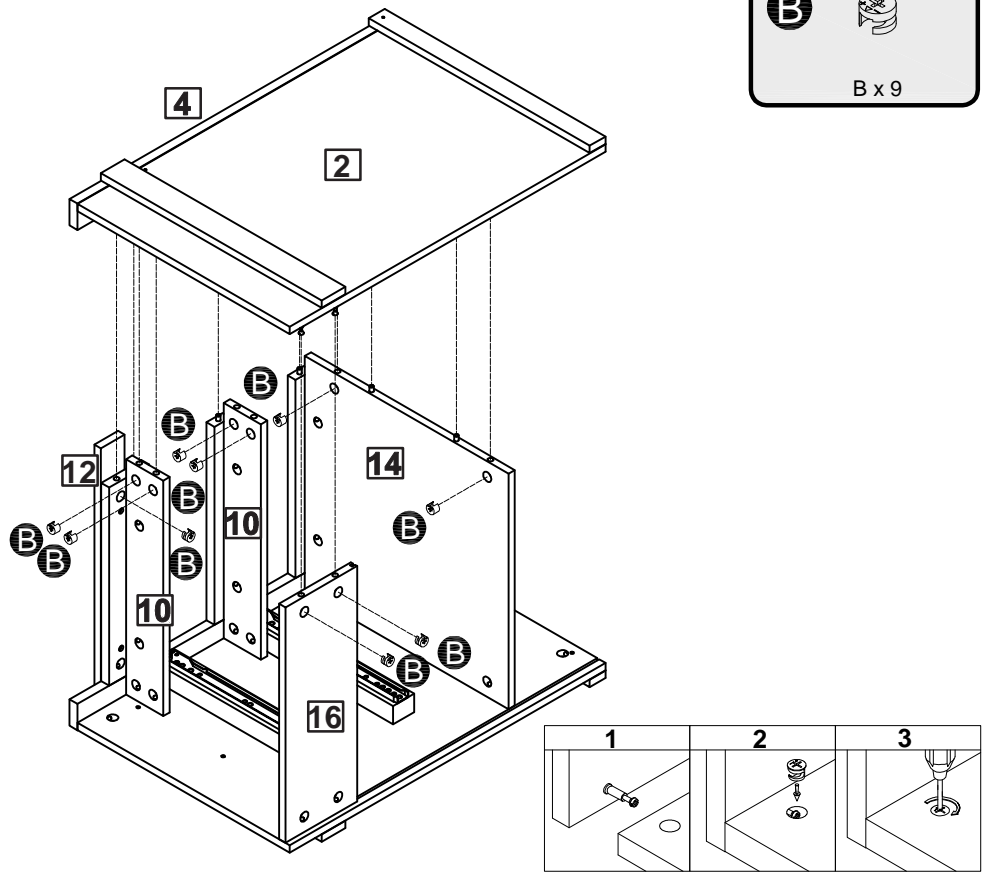
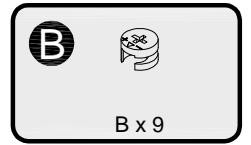


Step 12

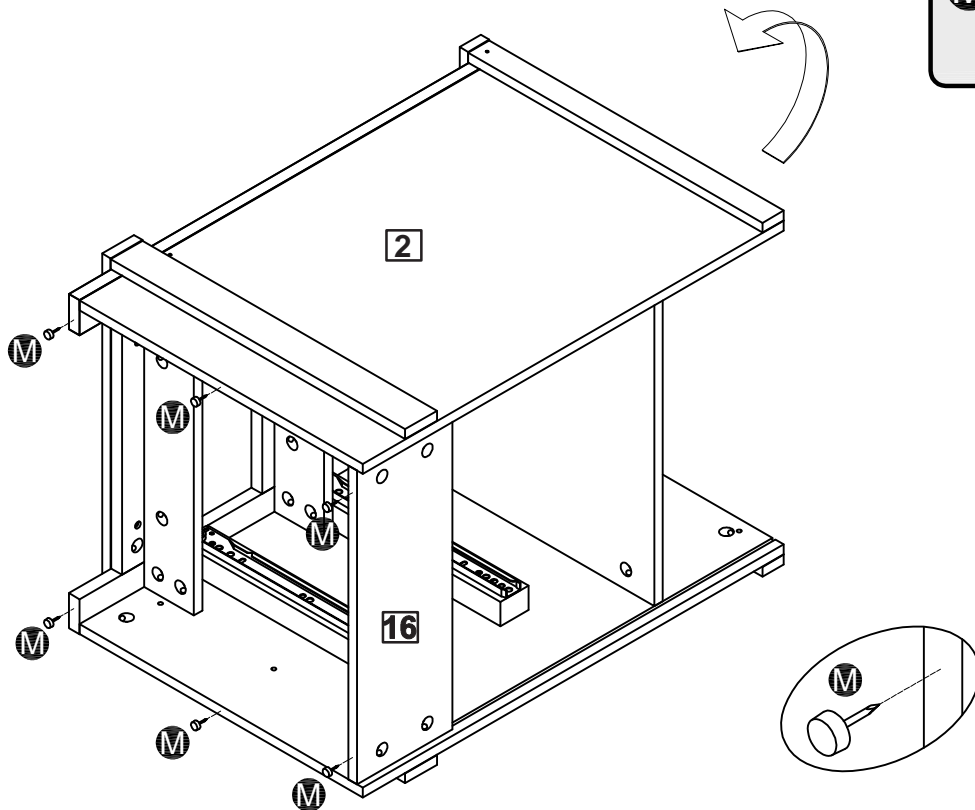
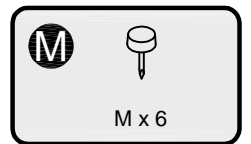


Assembly Instructions

Step 13

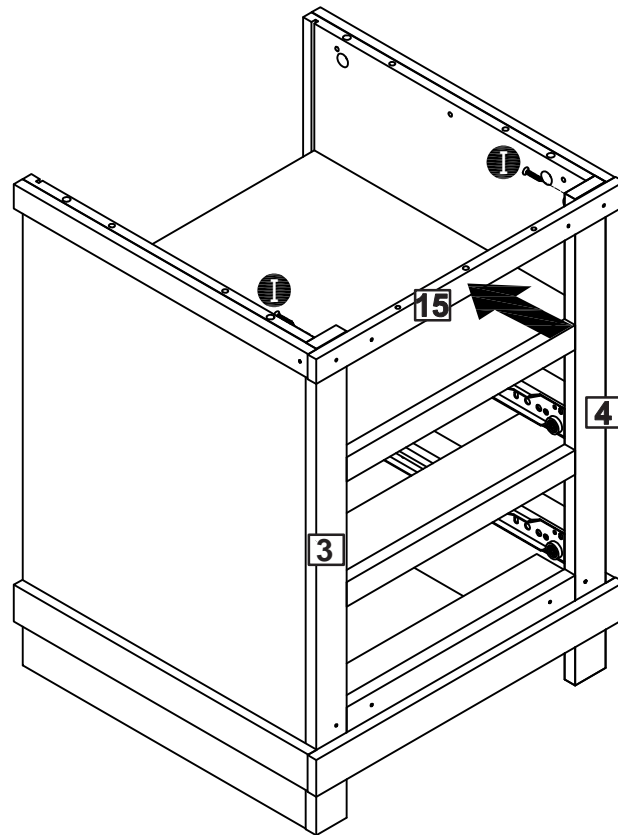


Step 14



Assembly Instructions

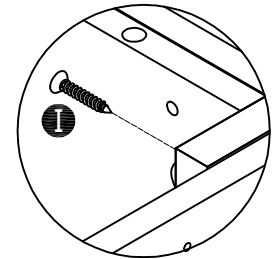
Step 15



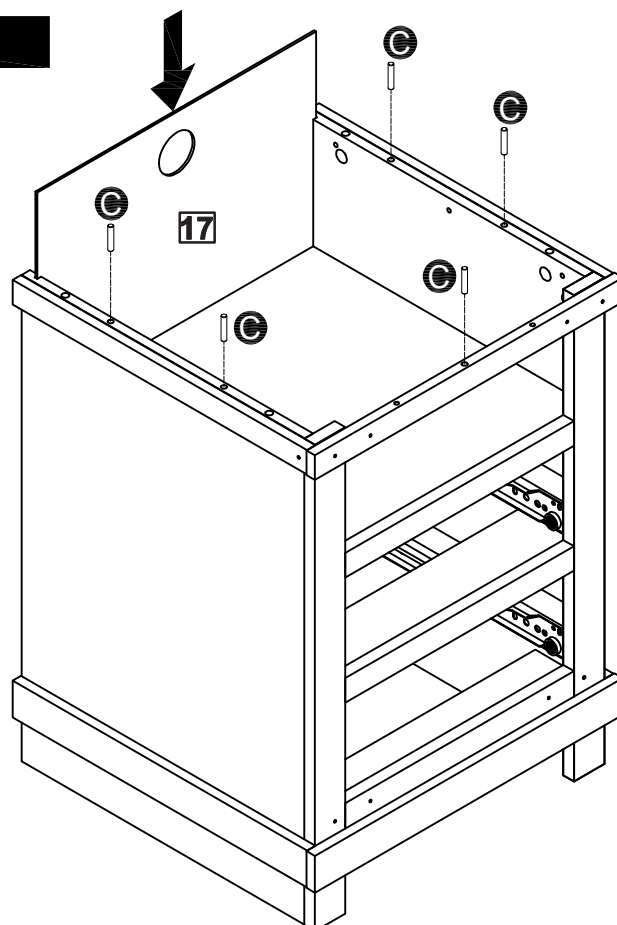
I



I x 2



Step 16



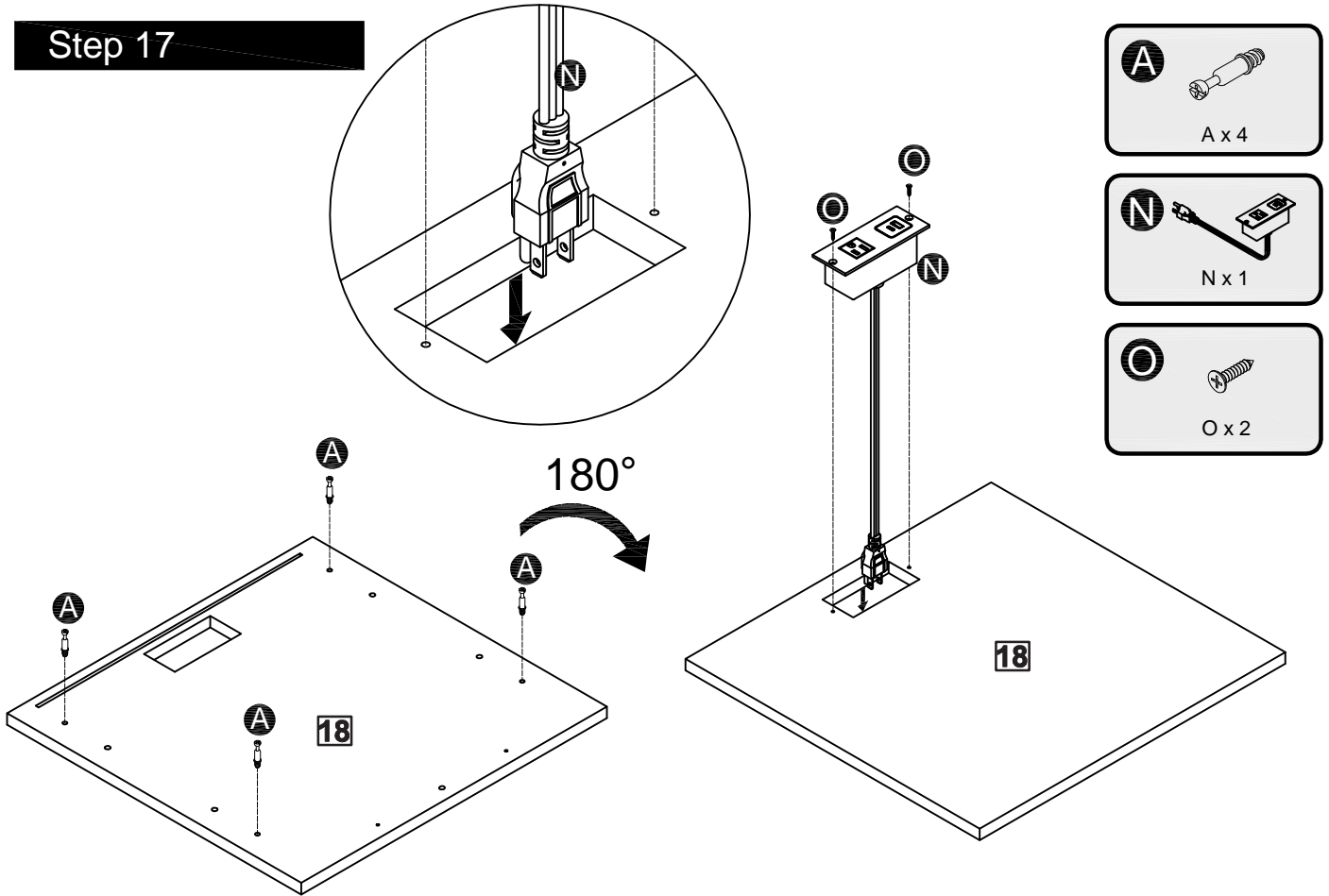
C



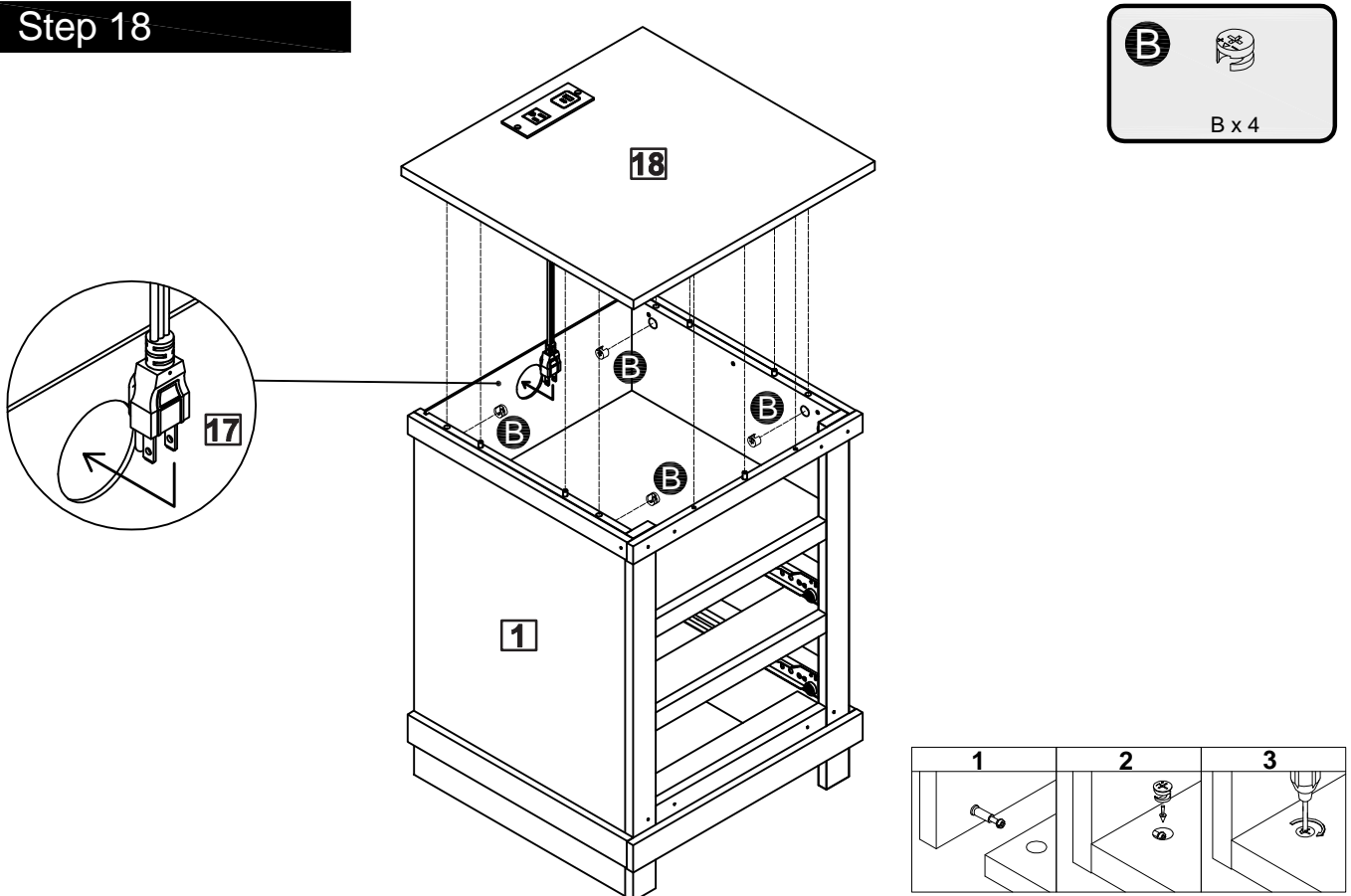
C x 5

Assembly Instructions

Step 17

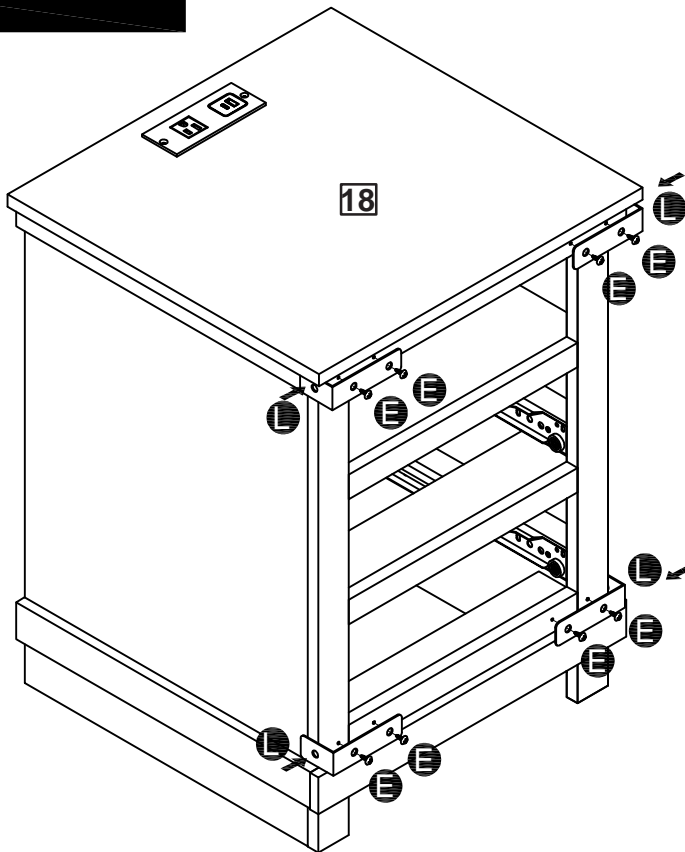


Step 18

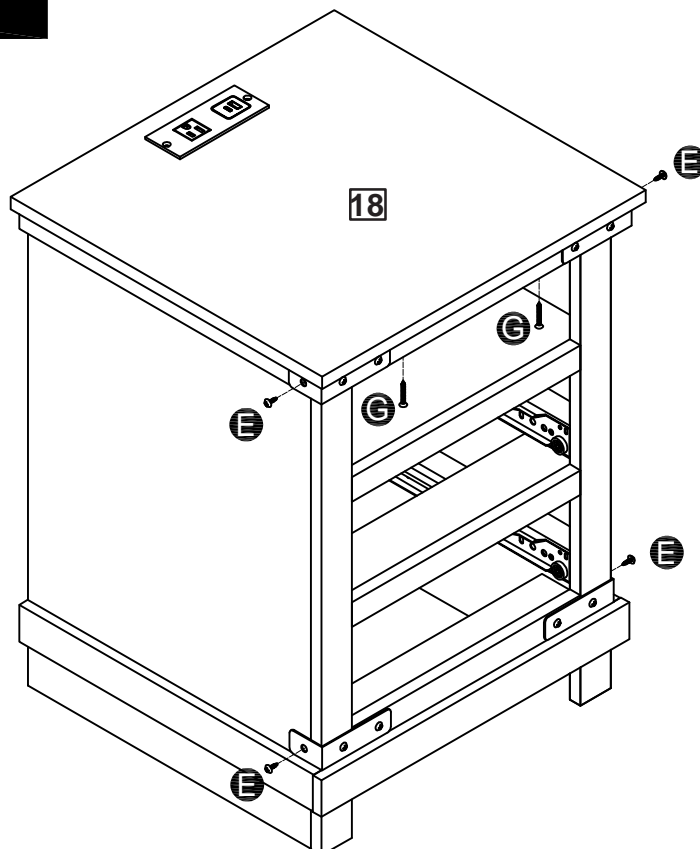


Assembly Instructions

Step 19

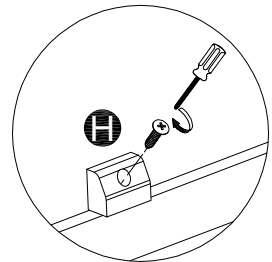
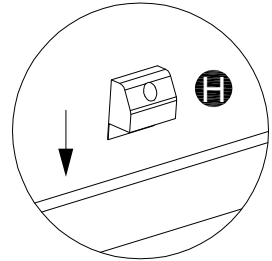
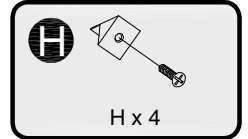
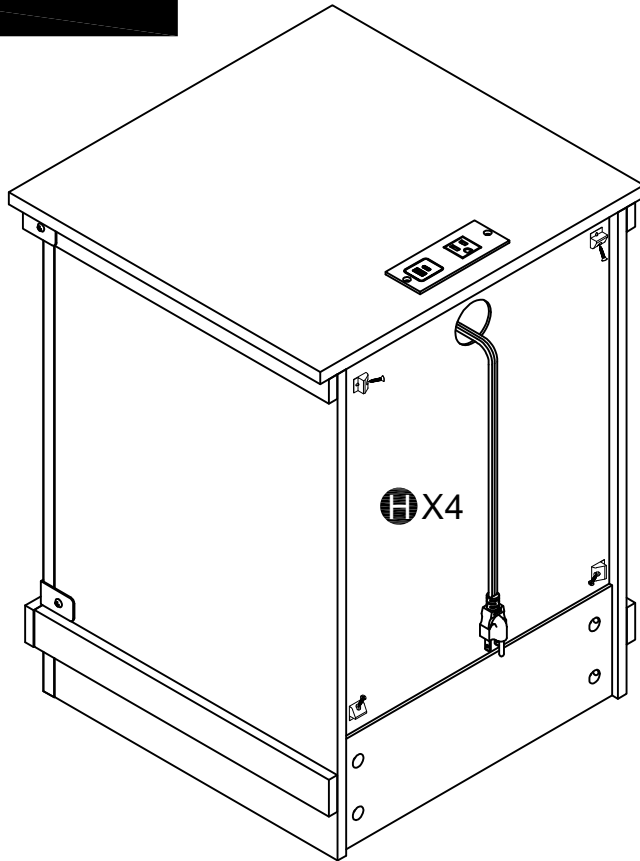


Step 20

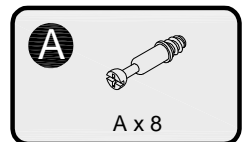
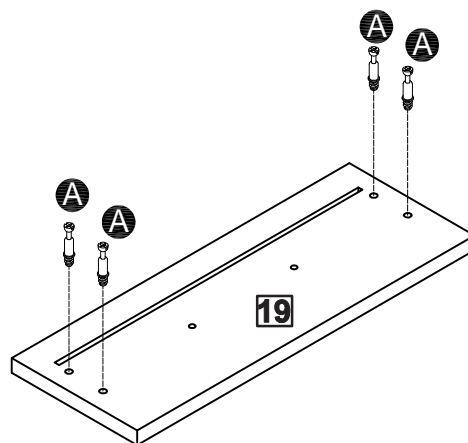


Assembly Instructions

Step 21



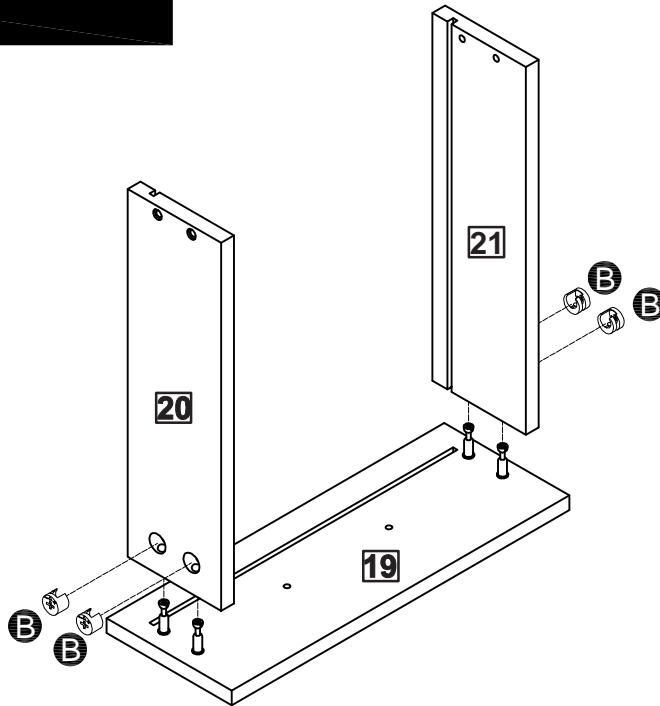
Step 22



x2

Assembly Instructions

Step 23

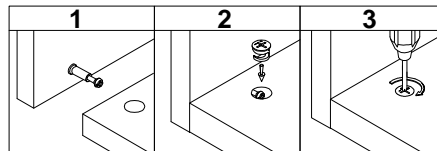


B

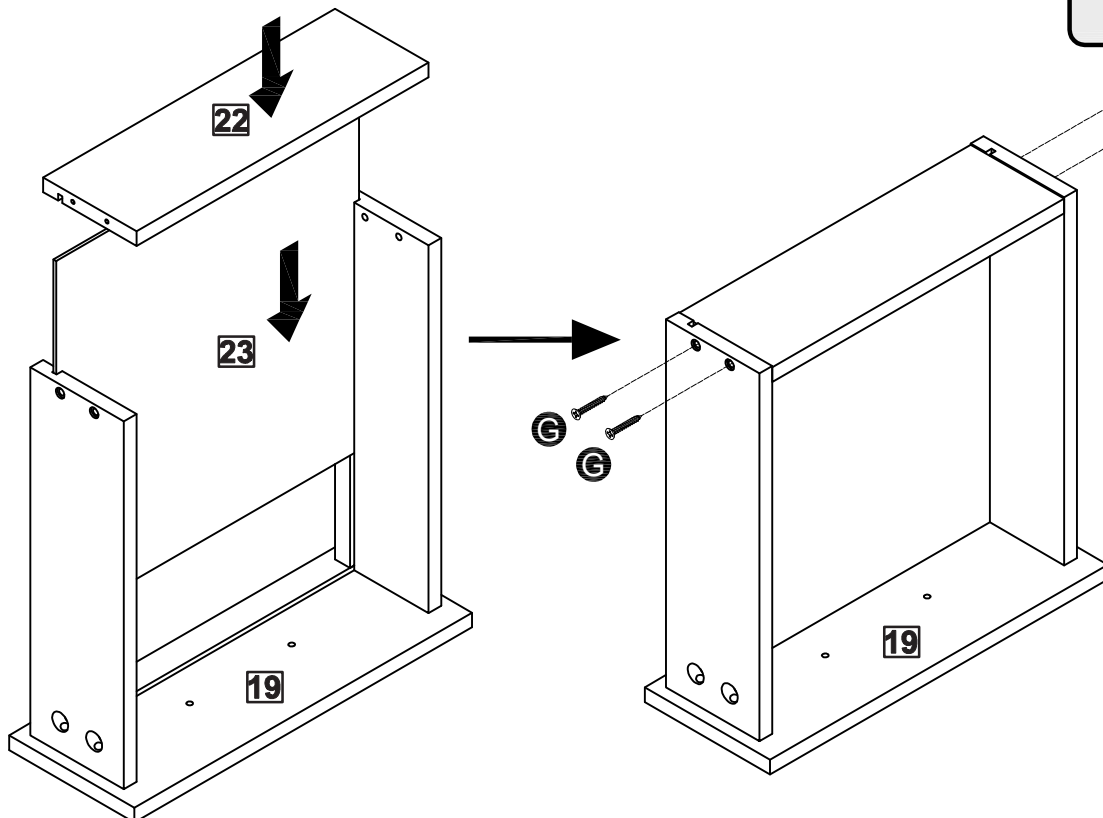


B x 8

x2



Step 24



G

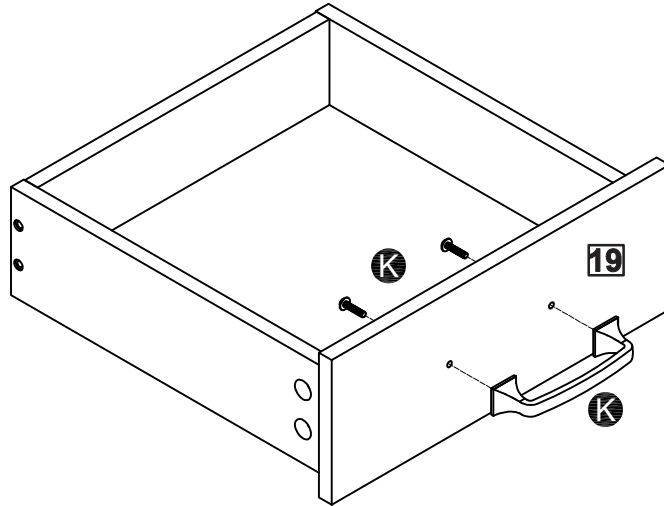
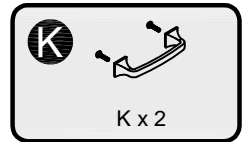


G x 8

x2

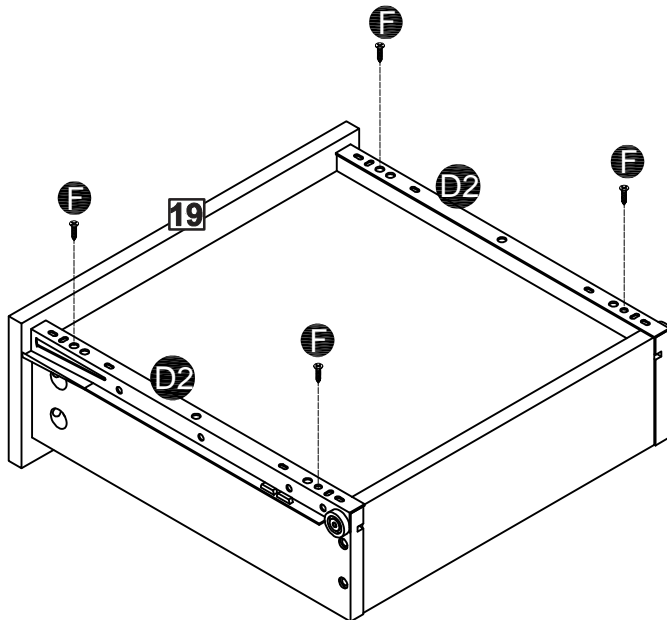
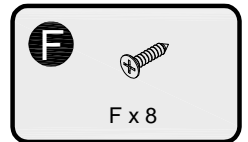
Assembly Instructions

Step 25



x2

Step 26

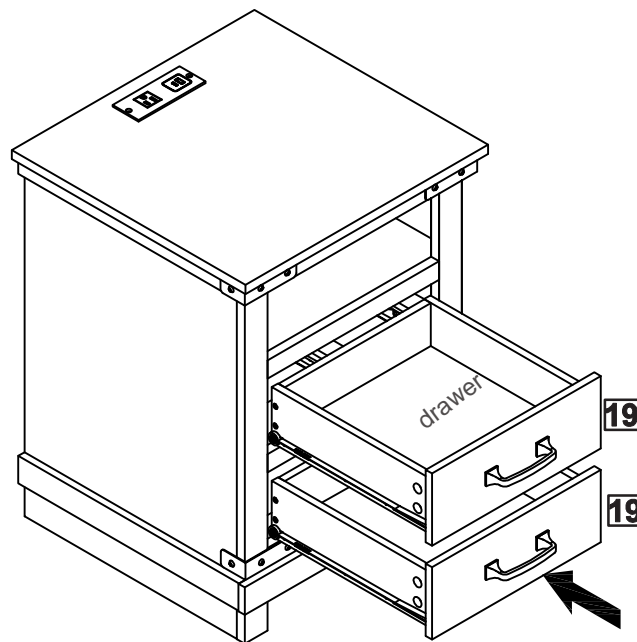


x2

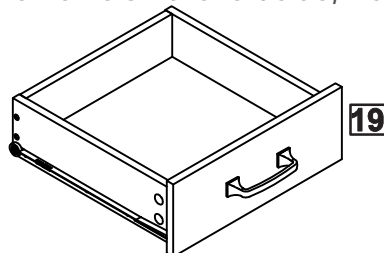
Assembly Instructions

Step 27

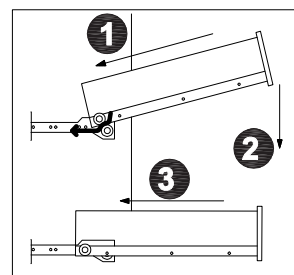
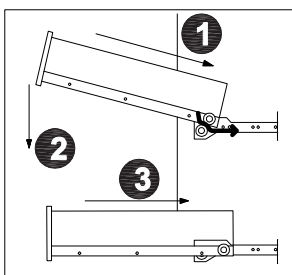
Congratulation! You've made to the last step! But don't be too thrilled yet, put on the drawer can be frustrating if you do it wrong. So, take your time and follow the steps below.



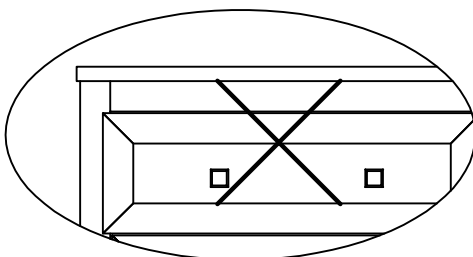
1. Make sure that you have right and left drawers sorted out first, because the drawer panel may cover the side if the right drawer is on the left side, vice versa.



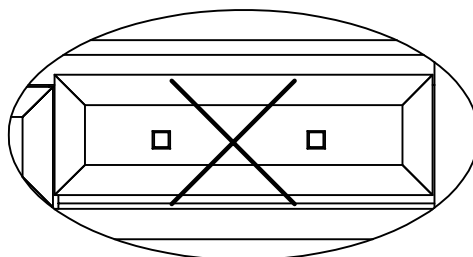
2. Please ensure that you have matched the wheels on BOTH sides of the drawer with the wheels on rails installed BEFORE push in the drawer.



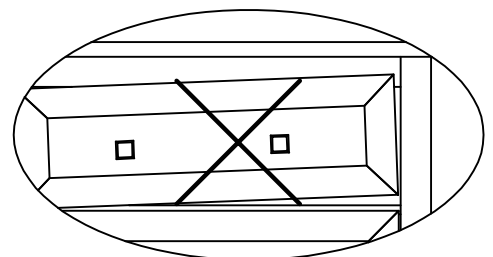
3. If the following occurs, redo the first two steps.



(drawer is on the wrong side)



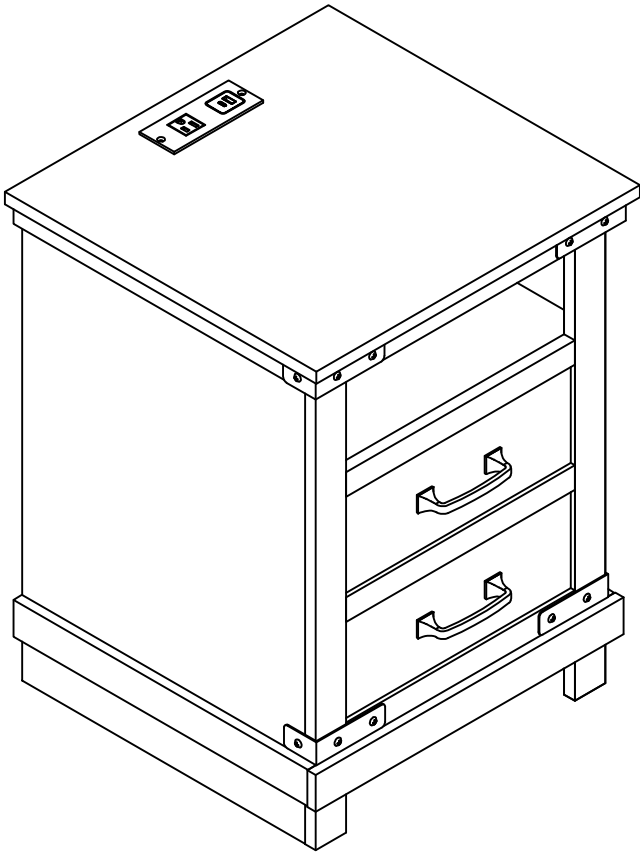
(both wheels are off the rails)



(one wheel is off the rail)

Assembly Instructions

Step 28



Assembly is complete.