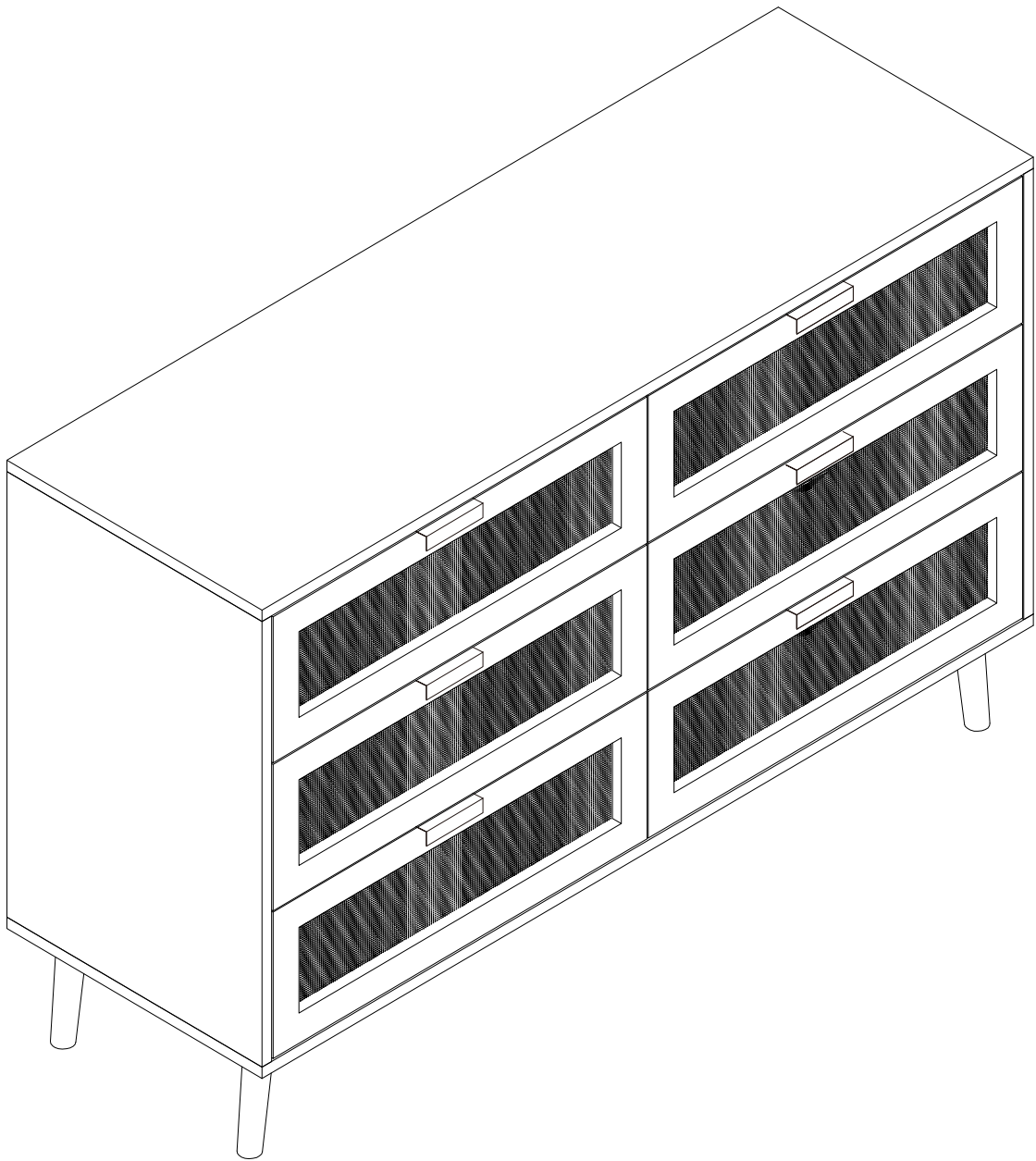
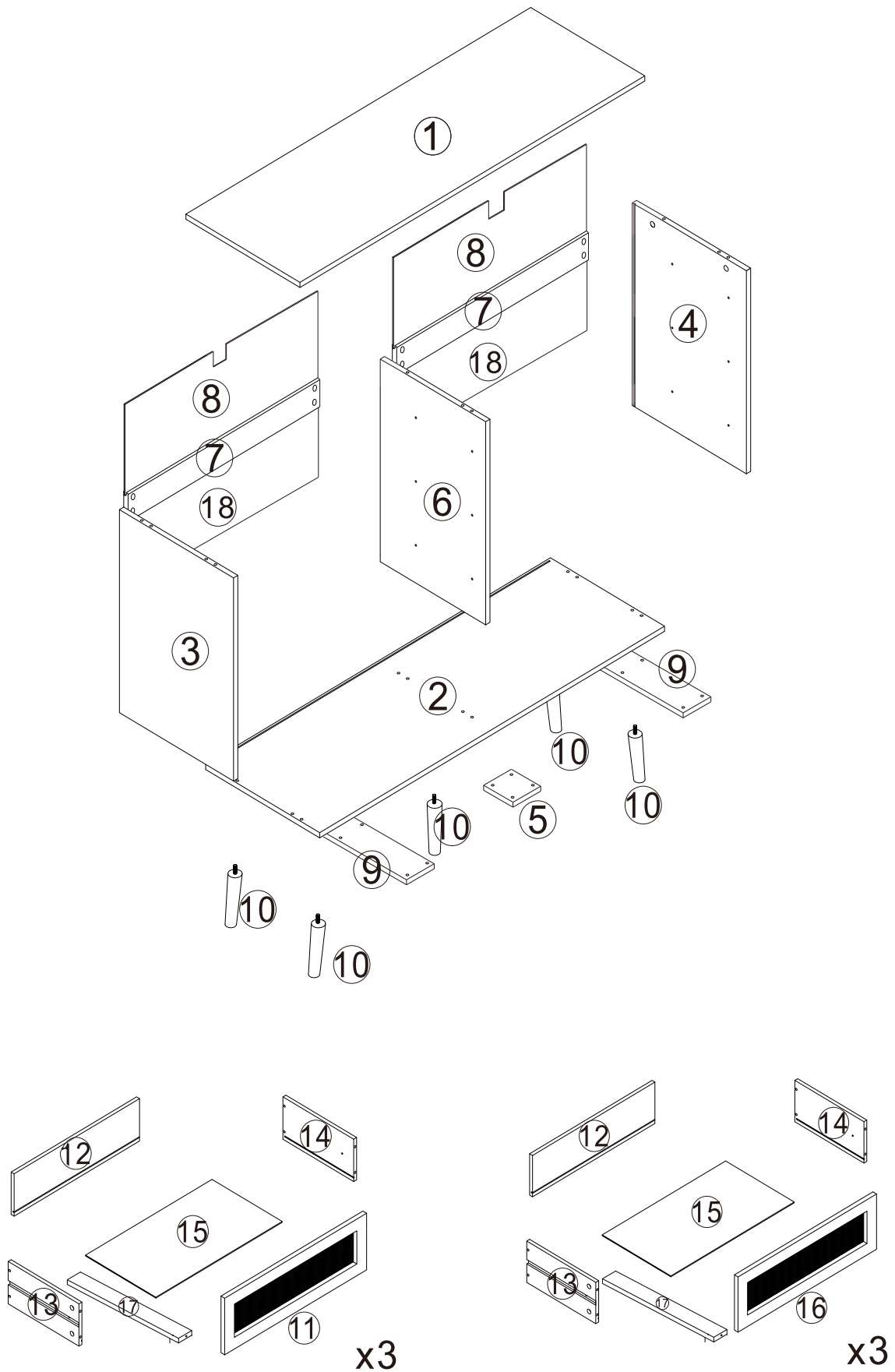


6 Drawer Cabinet Instruction



Panels

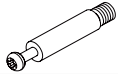


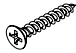






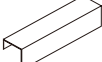





Fittings

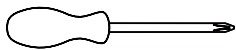
Please verify that you have all the listed accessories below:

NOTE: The quantities provided are sufficient to complete the assembly, and in some cases, there might be more accessories supplied than required.

Bag 1

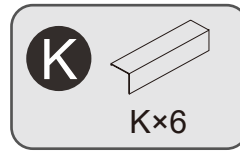
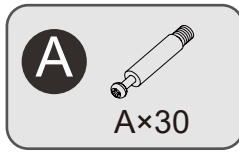
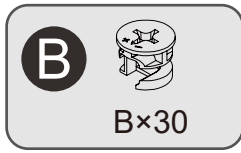
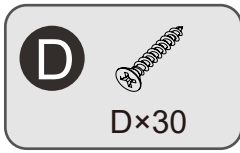
ITEM	PART	QTY	ITEM	PART	QTY
A		44 PCS	B		44 PCS
C		12 PCS	D		30 PCS
E		36 PCS	F		2 PCS
G		6 PCS	H		2 PCS
I		2 PCS	J		16 PCS
K		6 PCS	L		2 PCS
M		12 PCS	N		12 PCS

Tools required



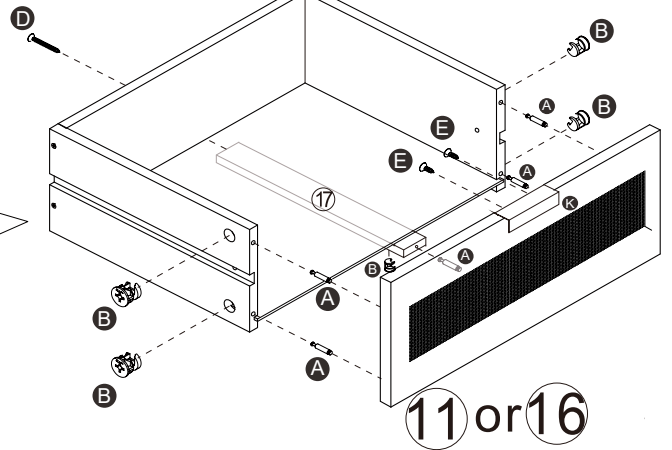
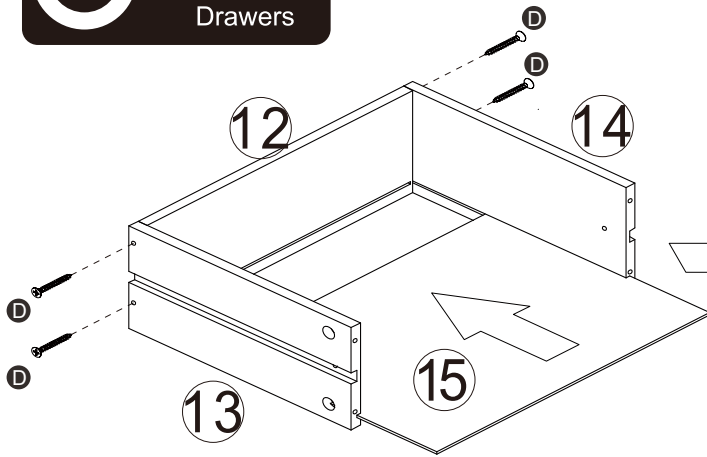
Phillips screwdriver
(small & medium)

step 1

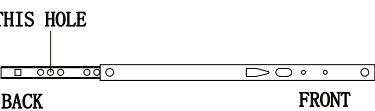
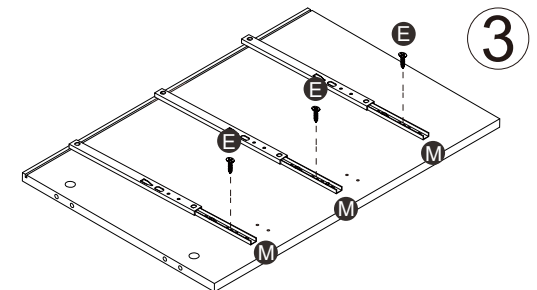
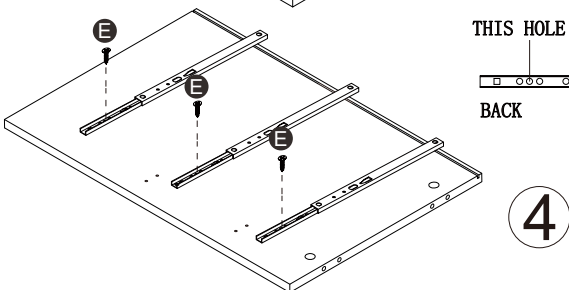
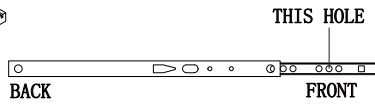
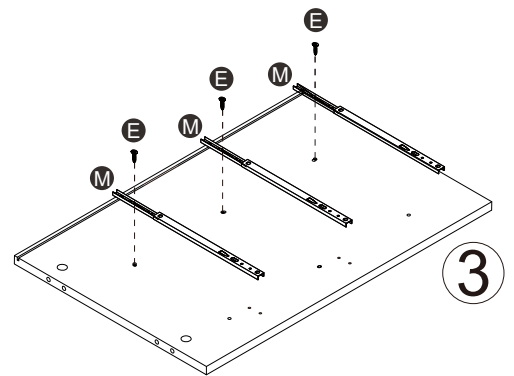
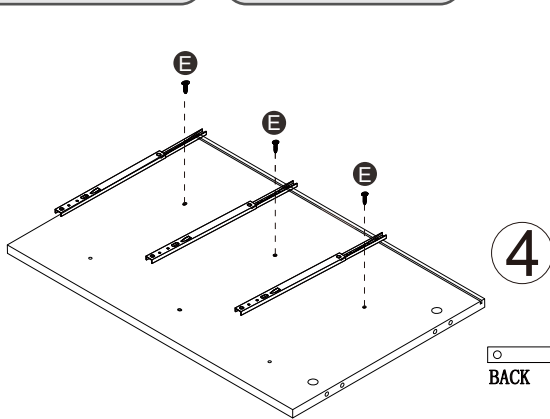
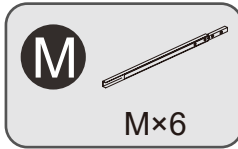
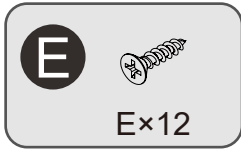


X6

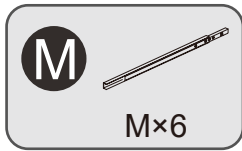
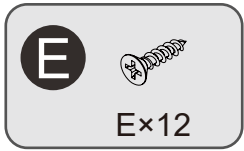
REPEAT
for six
Drawers



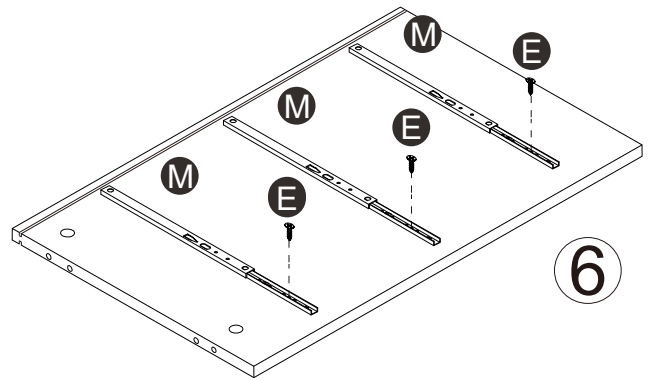
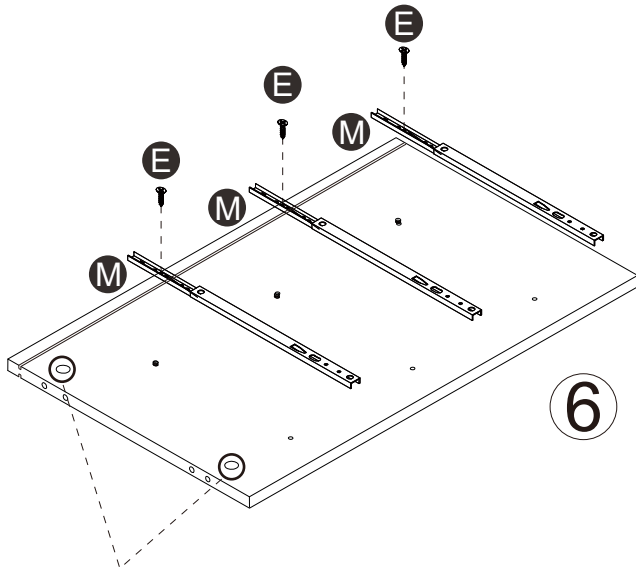
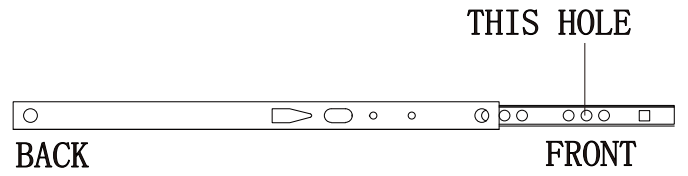
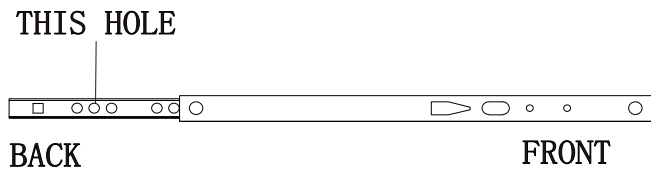
step 2



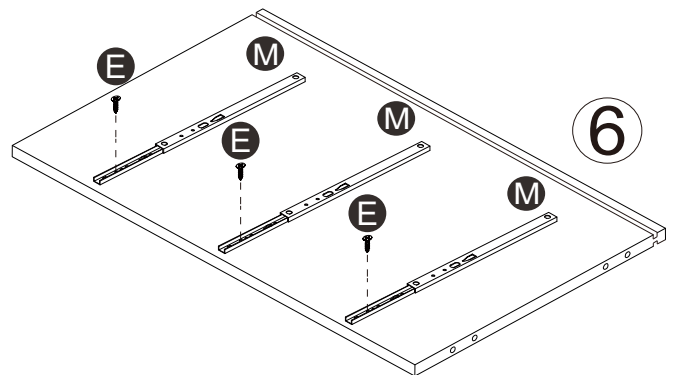
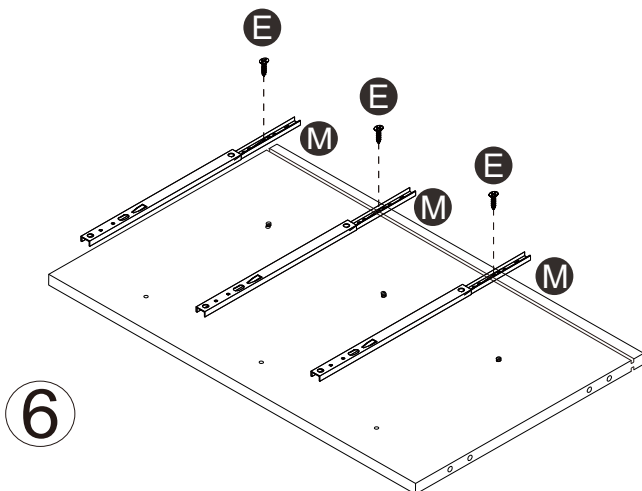
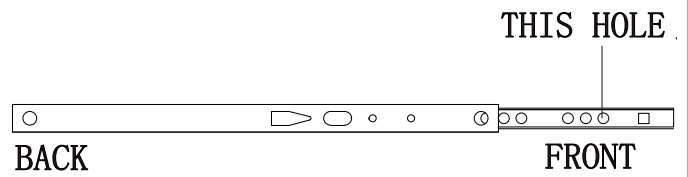
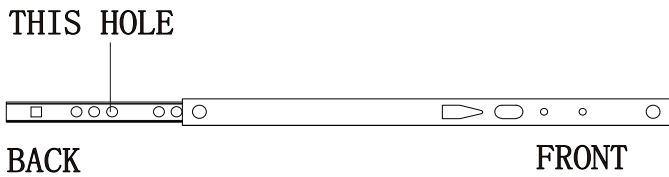
step 3



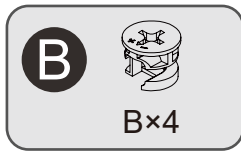
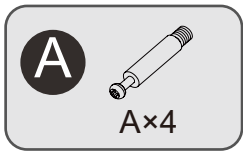
NOTE: Please pay attention to distinguishing the left and right direction of #6 board. The upper part is the right side to install #6 board, and the lower part is the left side.



As shown in the picture above, the side of the board with the TWO HOLES is the right side.

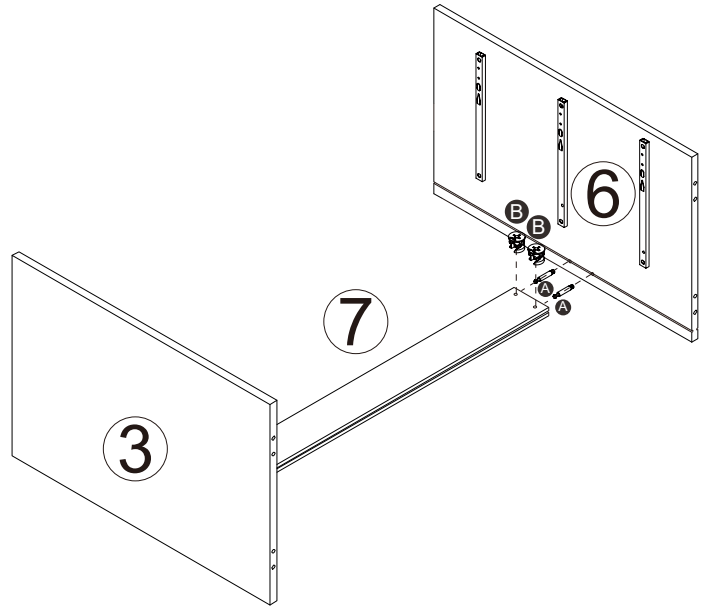
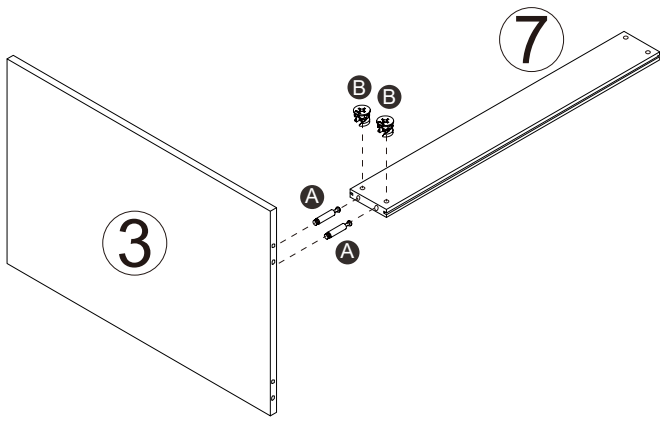


step 4

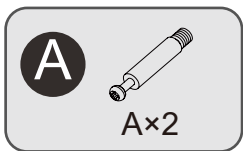


NOTE: In the next steps 4, 5, and 6, please pay attention to distinguish the direction of the board #3 and #4.

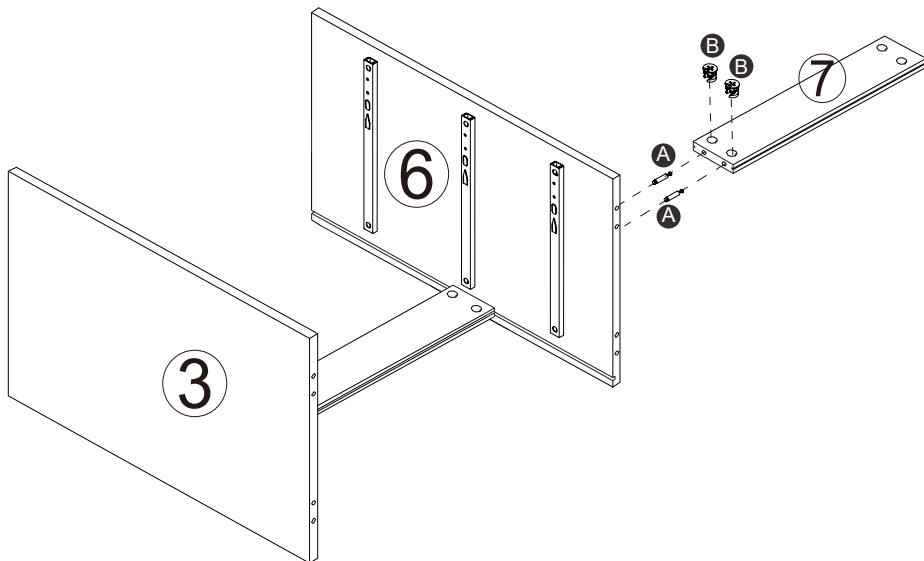
The #3 board is installed on the left side of the dresser, and the #4 board is installed on the right side.



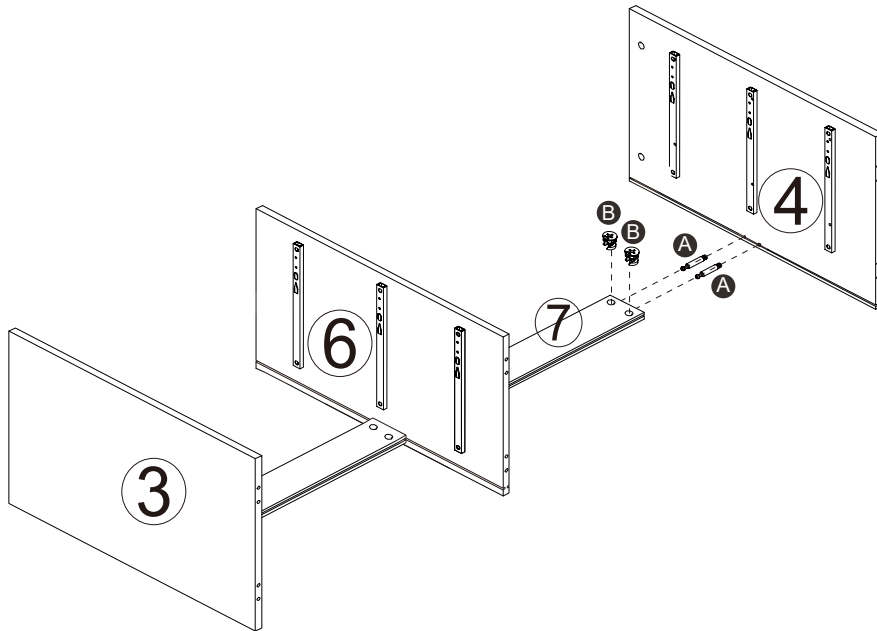
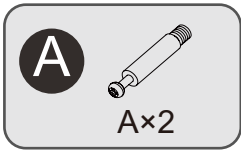
step 5



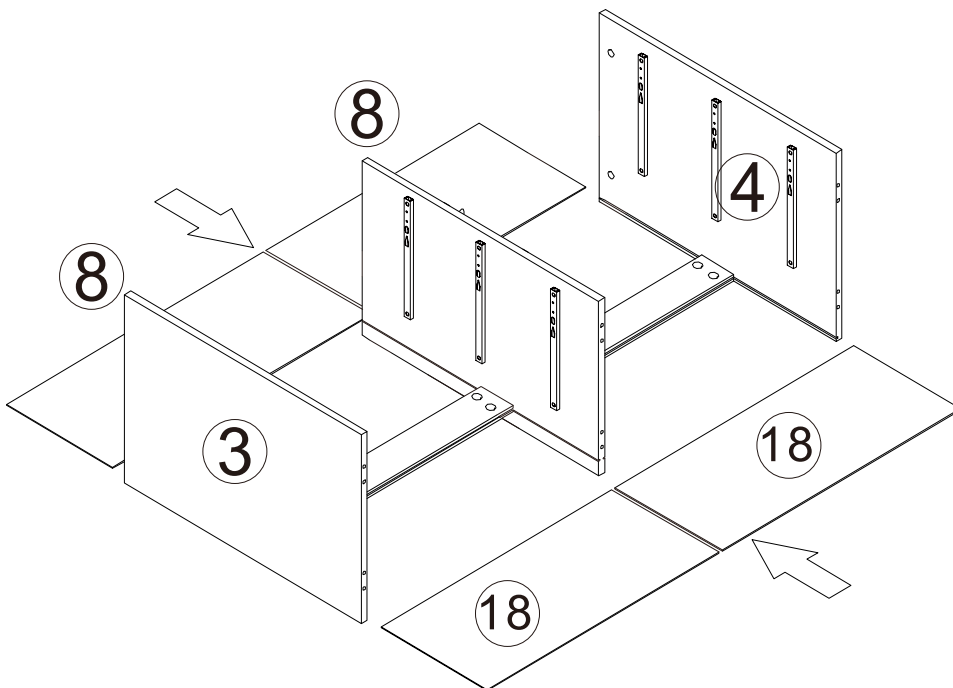
As shown in the picture above, the side of the board with the TWO HOLES is the right side.



step 6



step 7



step 8

A



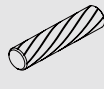
A×6

B



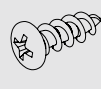
B×6

C



C×6

H

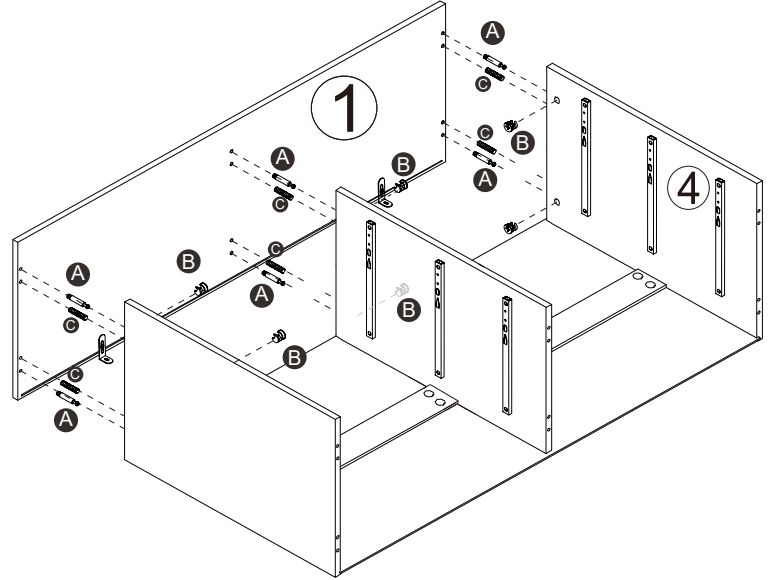
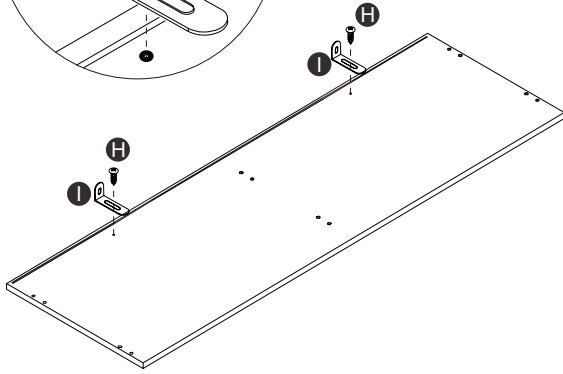
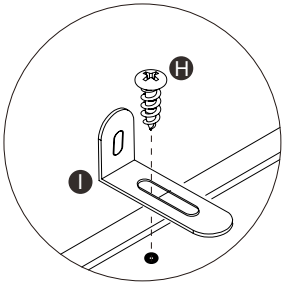


H×2

I



I×2



step 9

C

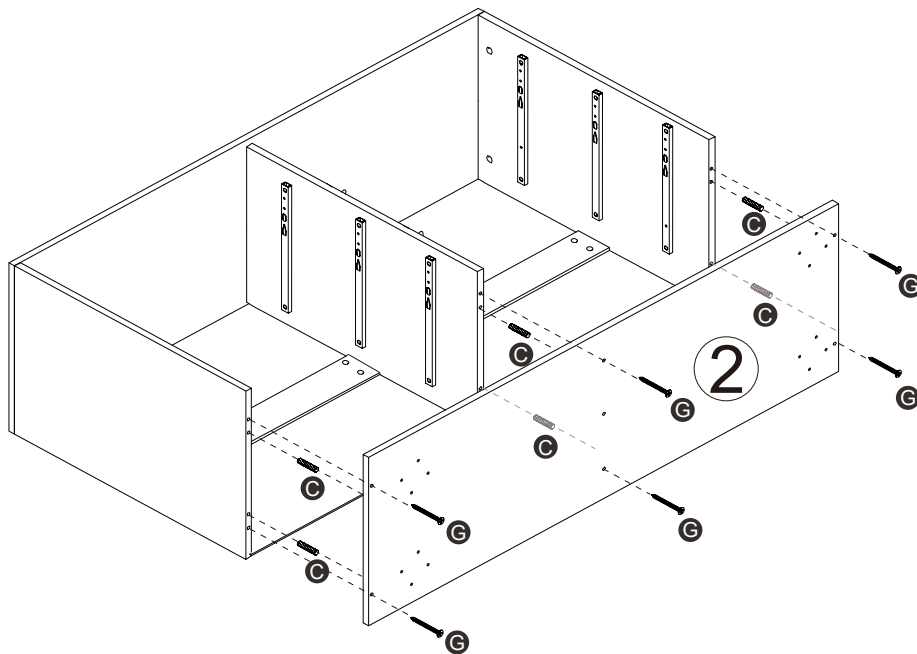


C×6

G

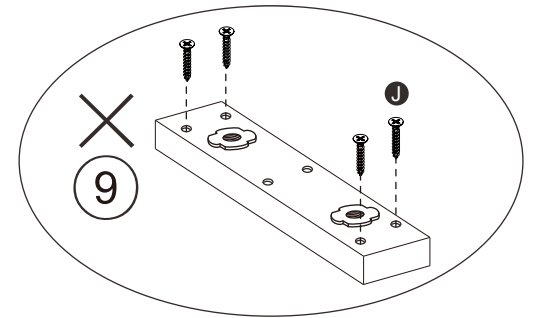
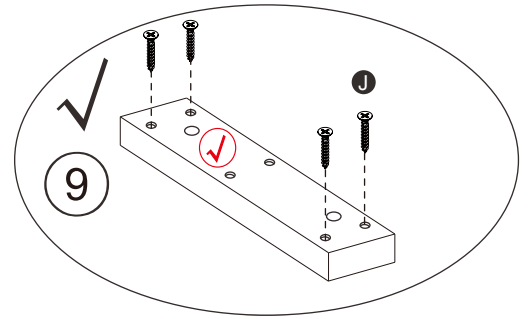
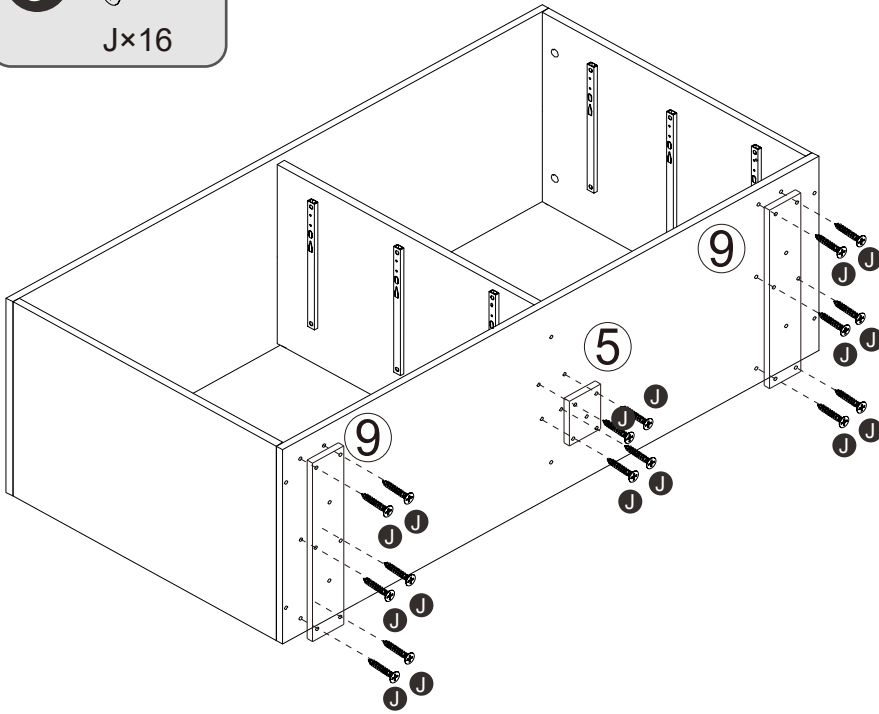


G×6

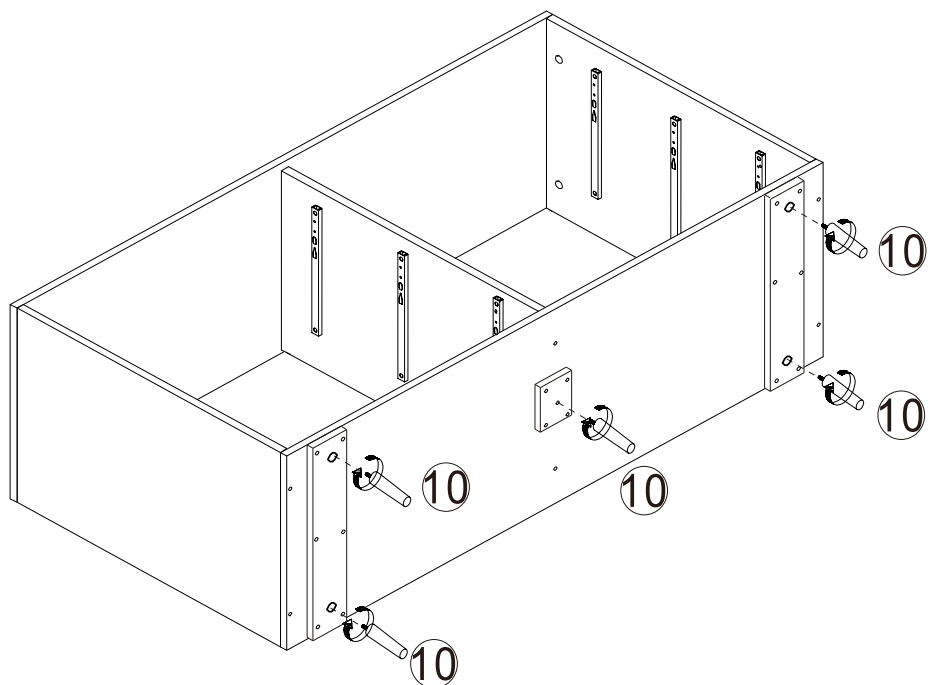


step 10

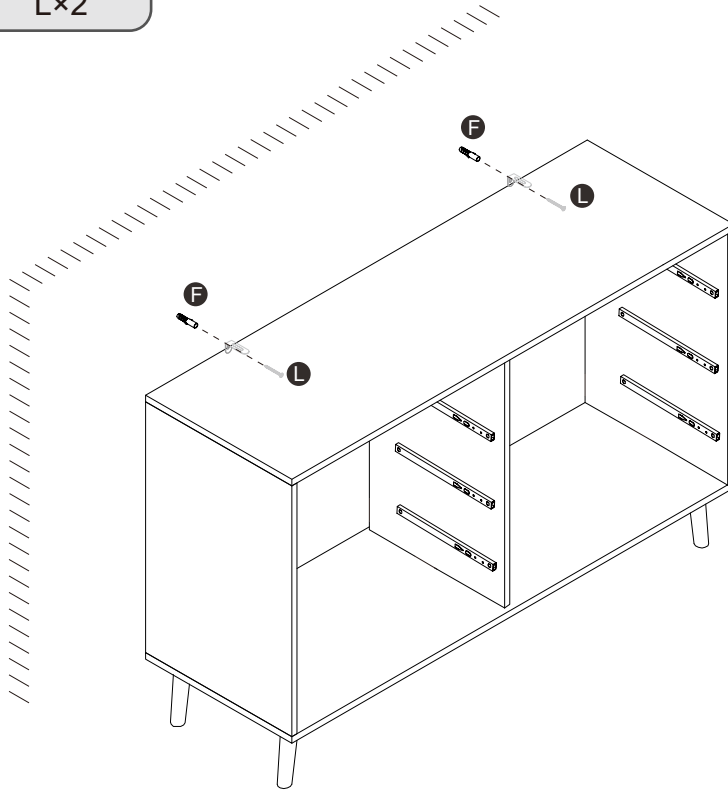
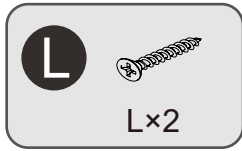
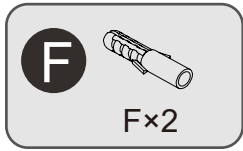
NOTE: Please pay attention to distinguishing the front and back of the #9 board. The ✓ labeled side is the front side and should be exposed on the outside.



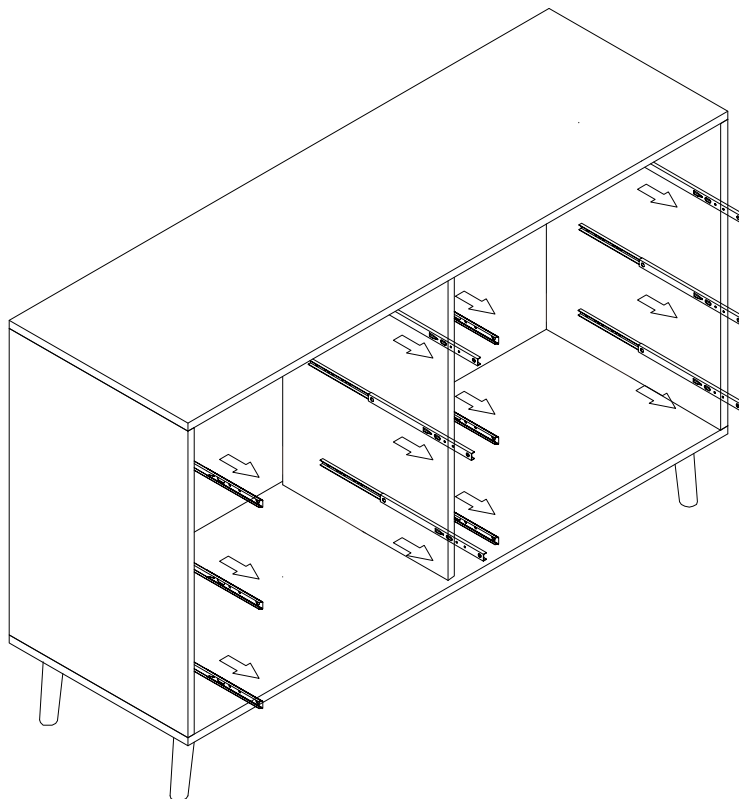
step 11



step 12

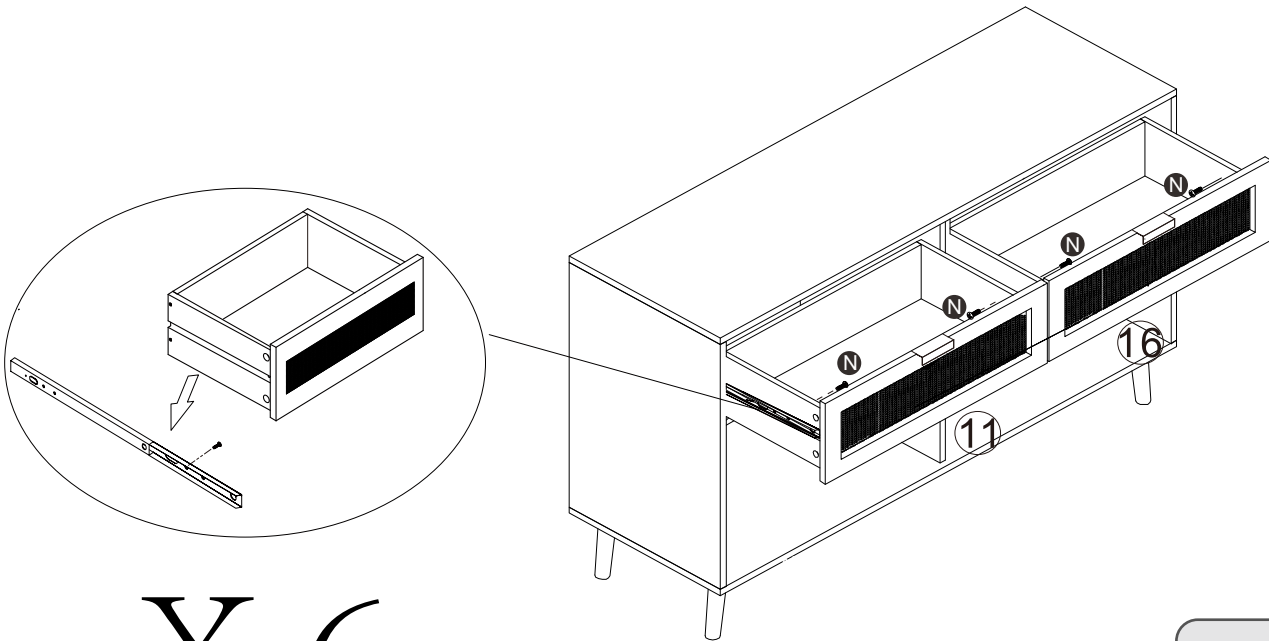


step 13

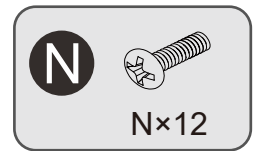


step 14

Note: Please pay attention to distinguishing the left and right directions of the drawer.
The #11 board is on the left side of the drawer, and the #16 board is on the right side.



X 6



step 15

Congratulations!!

You have successfully completed the assembly!

