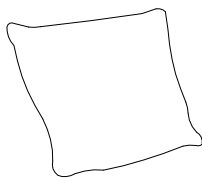
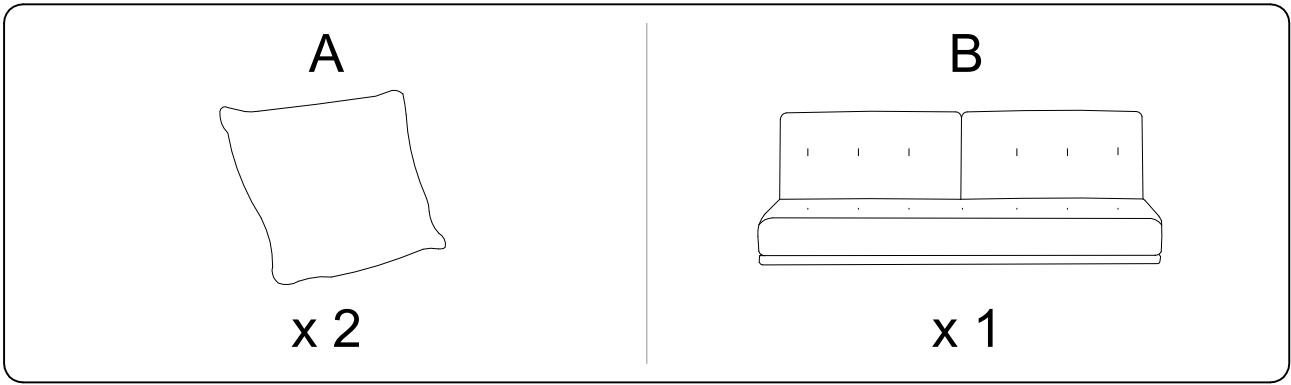


Assembly instructions for step 1/5:

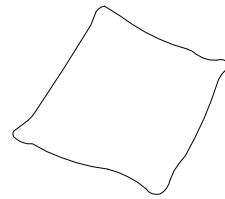
- Warning 1:** Do not use a power drill. Use an Allen key (shown in a circle) to tighten the screws.
- Warning 2:** Do not use a power saw. Use a hand saw (shown in a circle) to cut the foam padding.

Estimated time: 20'

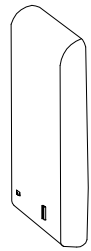
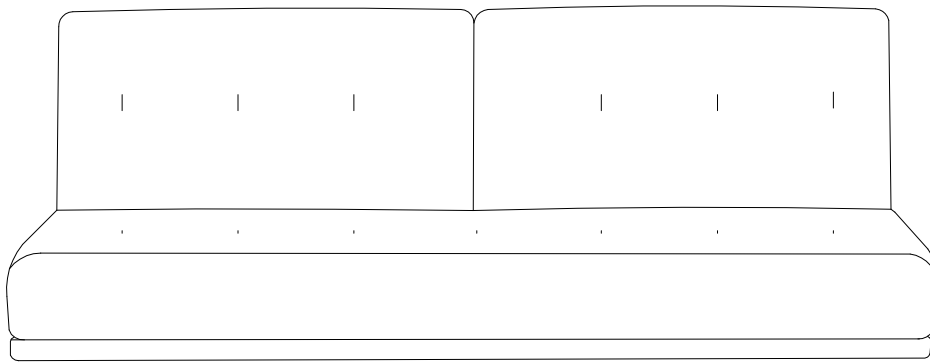
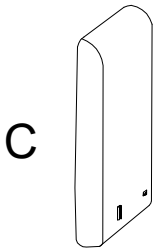
Number of people required: 1



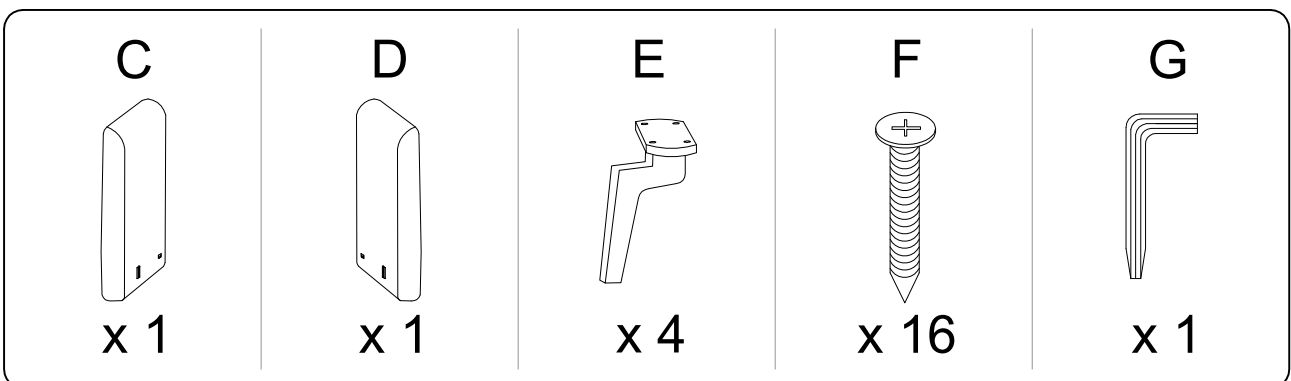
A x 2



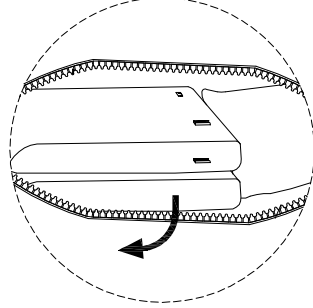
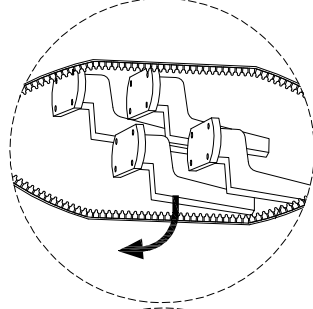
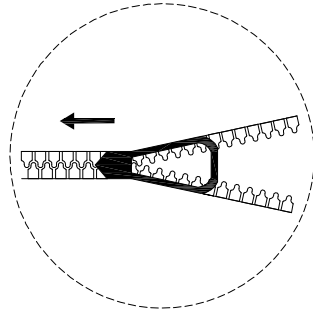
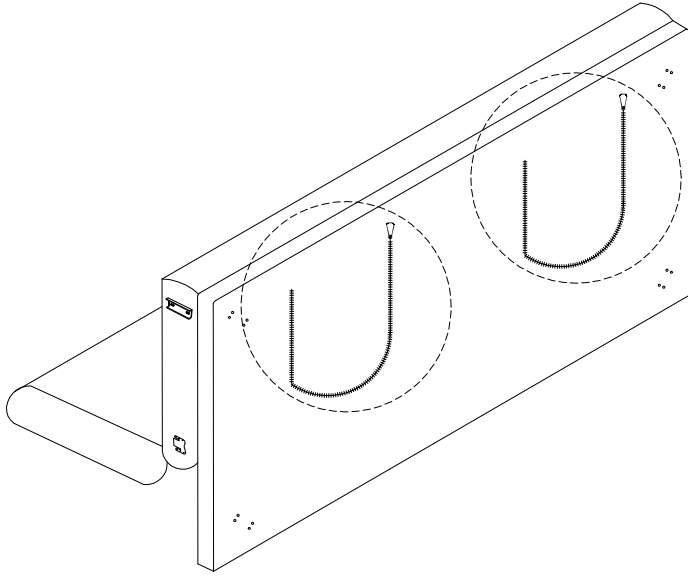
B



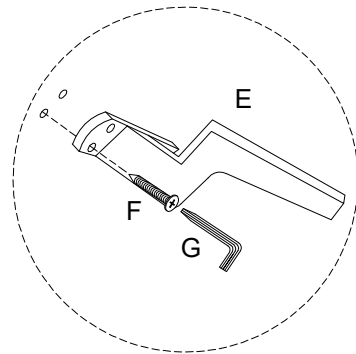
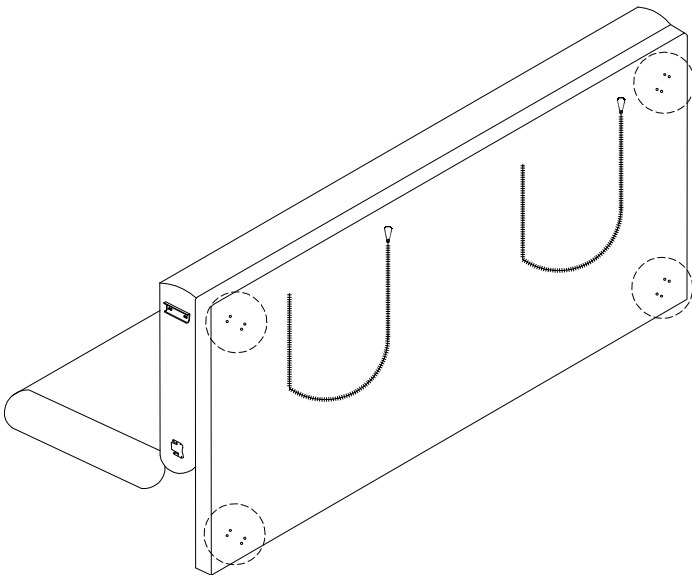
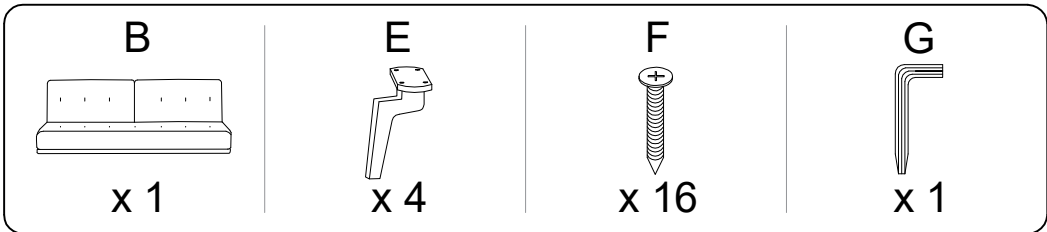
E x 4



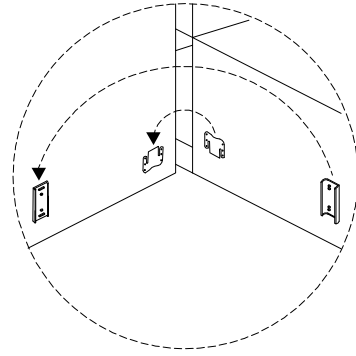
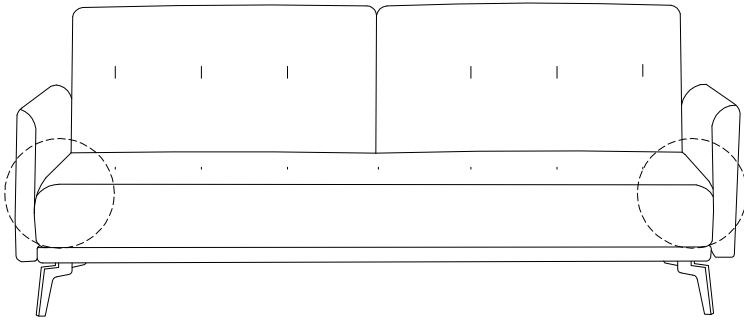
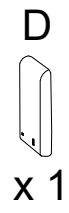
!



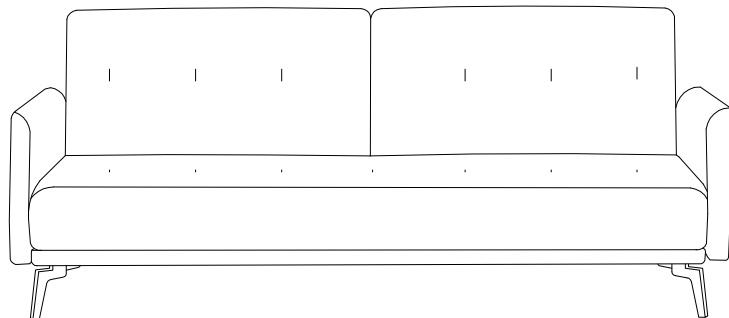
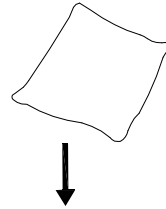
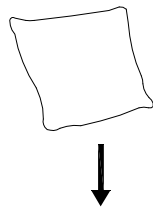
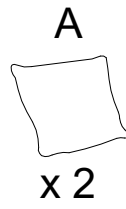
1



2



3



4

