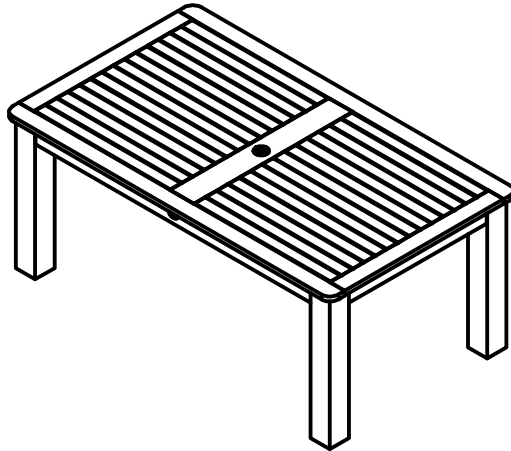


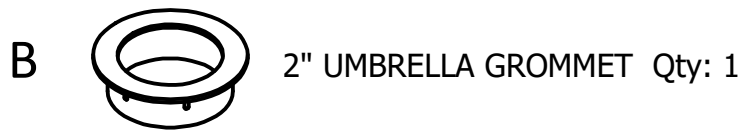
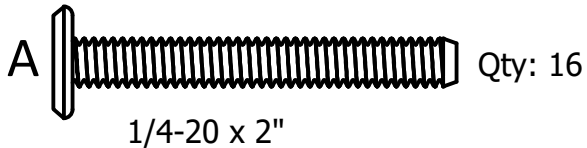
Square/Rectangular Dining Tables

Assembly Guide

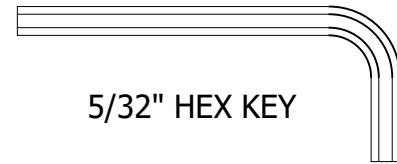


*Actual Style May Vary from the One Pictured in this Guide

HARDWARE INCLUDED

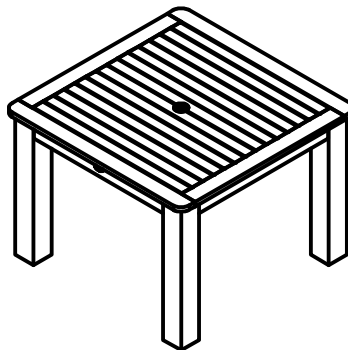


TOOLS INCLUDED

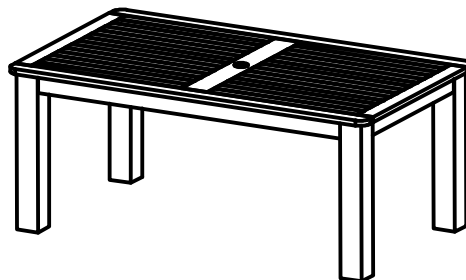


IMPORTANT!

DO NOT fully tighten bolts until all bolts are started.



DTB44/CTB44 - 42X42 SQUARE DINING OR COUNTER HEIGHT DINING TABLE



DTB47/CTB47 - 42X72 RECTANGULAR DINING OR COUNTER HEIGHT DINING TABLE
DTB48/CTB48 - 42X84 RECTANGULAR DINING OR COUNTER HEIGHT DINING TABLE

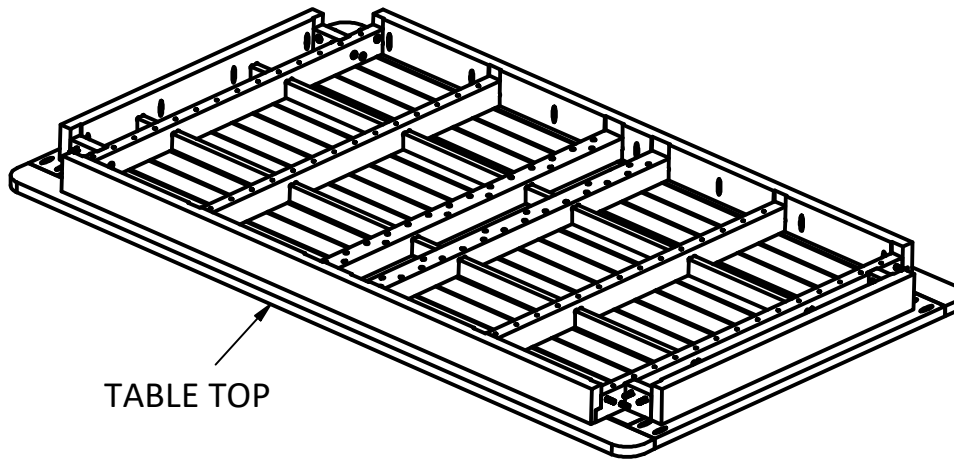
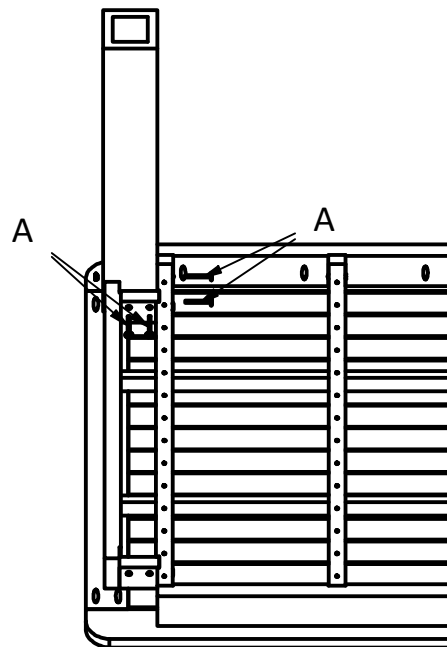


TABLE TOP

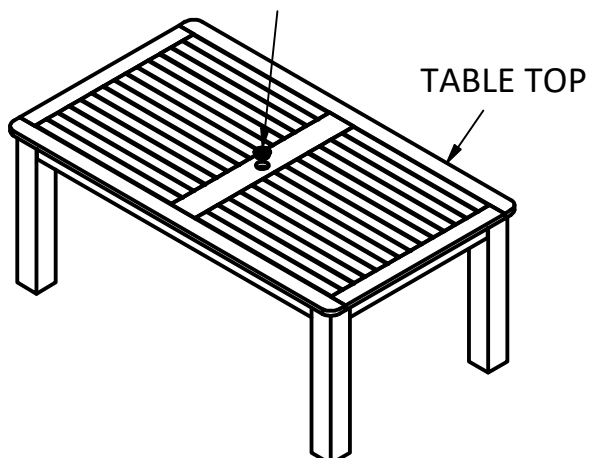
1) Place the Table Top upside down on a soft surface.



2) Attach Leg to Table Top with (4) A Bolts as shown.

3) Repeat for each Leg.

2" UMBRELLA GROMMET



4) If installing an umbrella, insert the 2" UMBRELLA GROMMET in the center hole of the Table Top.