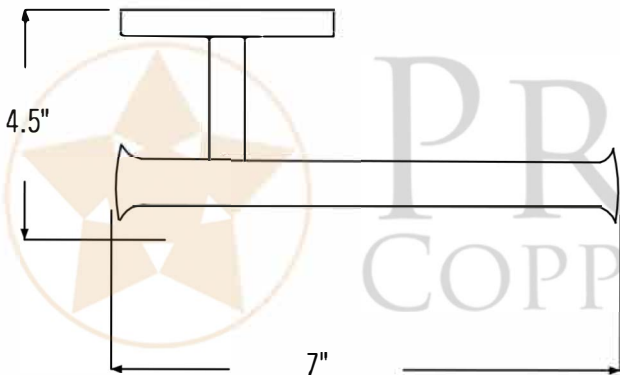
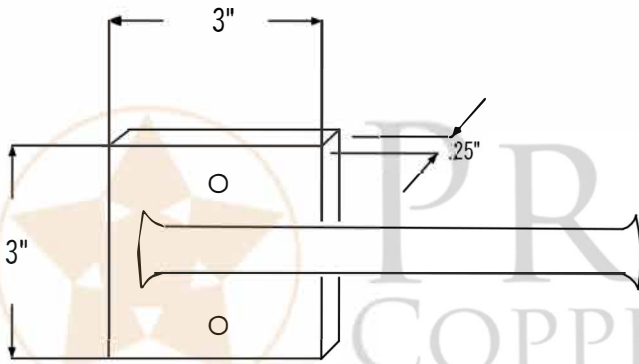




**PREMIER**  
COPPER PRODUCTS

**MODEL NUMBER: TPHLDRDB**

- \* Description: Hand Hammered Copper Tissue Paper Holder
- \* Outer Dimension: 7" x 3" x 4.5"
- \* Installation Type: Wall Mount (2 screws)
- \* Finish: Oil Rubbed Bronze



THIS PRODUCT IS HAND CRAFTED, SMALL VARIANCES IN COLOR AND SIZE MAY OCCUR.  
DO NOT MAKE ANY INSTALLATION CUTS UNTIL YOU RECEIVE YOUR ITEM(S).