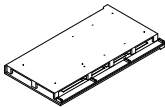
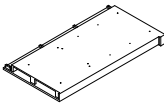
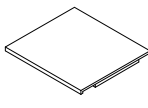
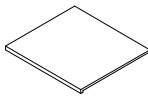
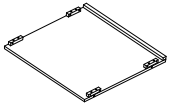
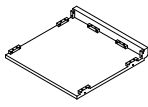
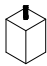
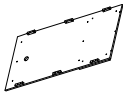
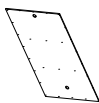


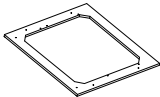









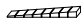
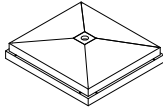
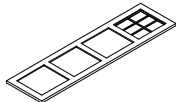
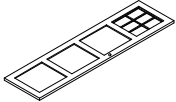
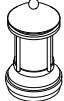


Read this instruction carefully. Refer hardware and furniture parts list for guidance. Please ensure all parts are complete before assembling. Place all wooden furniture parts on a clean and flat soft surface to prevent scratches. Refer steps provided as assembling guide. You will also need Philips screwdriver to complete assembly.

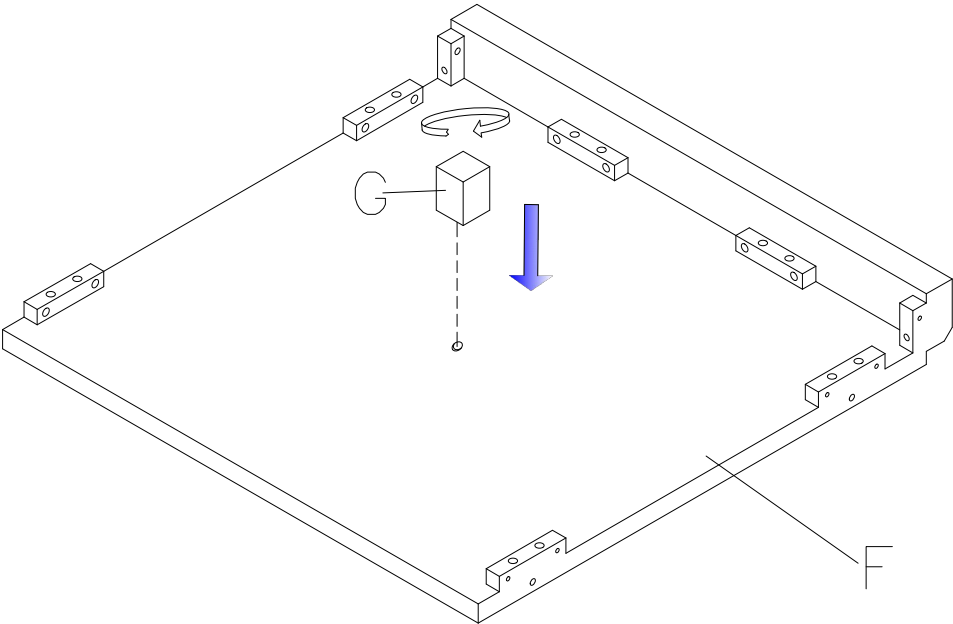
For your safety, we strongly advise consulting a licensed electrician to connect the wires for the lighting feature in the RAM Game Room Police Booth Bar Cabinet. We do not accept liability for any accidents or damages resulting from self-installation. Please prioritize safety and adhere to local electrical regulations.

PART LIST		
ITEM	DESCRIPTION	QTY
A	Left Side Panel 	1PC
B	Right Side Panel 	1PC
C	Fixed Panel 	1PC
D	Adjustable Panel 	2PCS
E	Top Panel 	1PC
F	Bottom Panel 	1PC
G	Middle Support 	1PC
H	Interior Back Panel 	1PC
I	Exterior Back Panel 	1PC
J	Front Top Stretcher 	1PC
K	Back Stretcher 	3PCS
L	Top Frame 	1PC

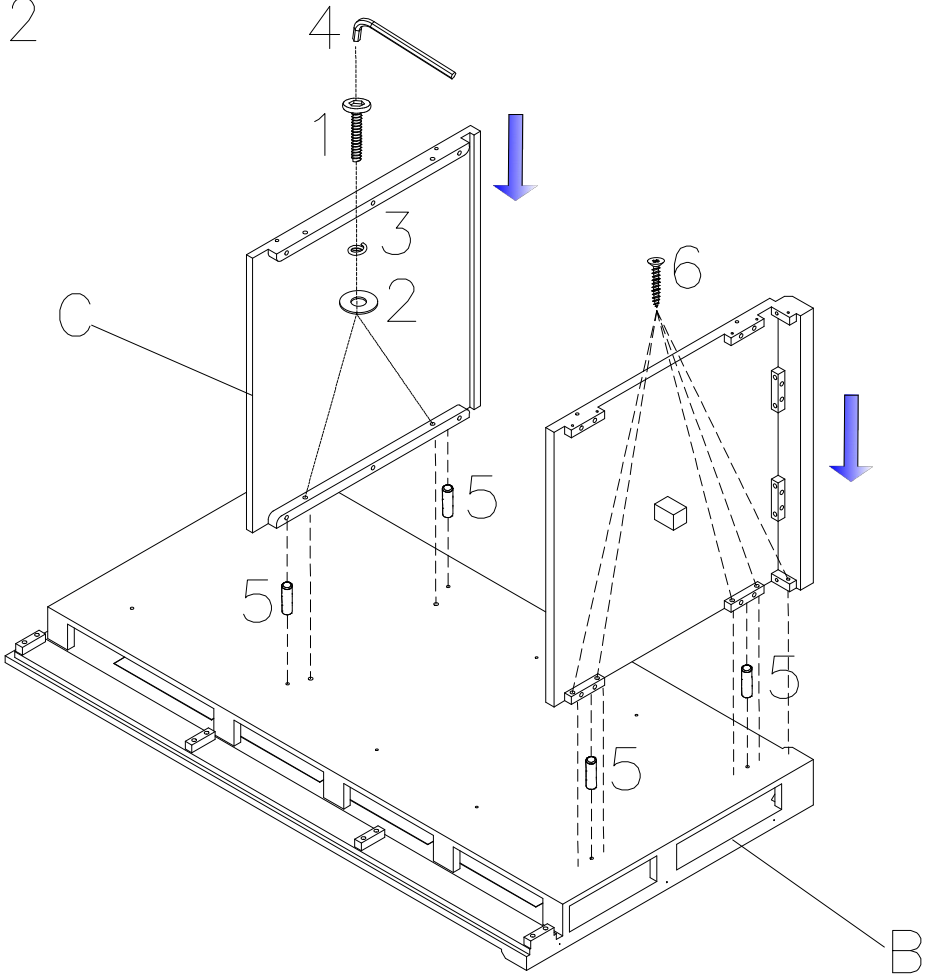
HARDWARE LIST		
ITEM	DESCRIPTION	QTY
1	Bolt $\varnothing 1/4" \times 1-1/2"$ 	4PCS
2	Washer $\varnothing 1/4"$ 	4PCS
3	Lock Washer $\varnothing 1/4"$ 	4PCS
4	Allen Washer 4mm 	4PCS
5	Wood Dowels $\varnothing 8 \times 30\text{mm}$ 	20PCS
6	Screw $\varnothing 8 \times 1"$ 	49PCS
7	Shelf Support $\varnothing 6\text{mm}$ 	4PCS
8	Screw $\varnothing M4 \times 30\text{mm}$ 	4PCS
9	Screw $\varnothing 3.5 \times 22\text{mm}$ 	41PCS
10	Screw $\varnothing 3.0 \times 16\text{mm}$ 	18PCS
11	Wood Cap $\varnothing 11 \times 8\text{mm}$ 	8PCS
12	Handle 140*18mm 	2PCS
13	Glue 	1PC
14	Screw $\varnothing 8 \times 1-3/4"$ 	8PCS
15	Screw $\varnothing 5/32 \times 3/4"$ 	4PCS
16	Leveler 	2PCS

M	Top 	1PC
N	Left Door 	1PC
O	Right Door 	1PC
P	Lamp 	1PC

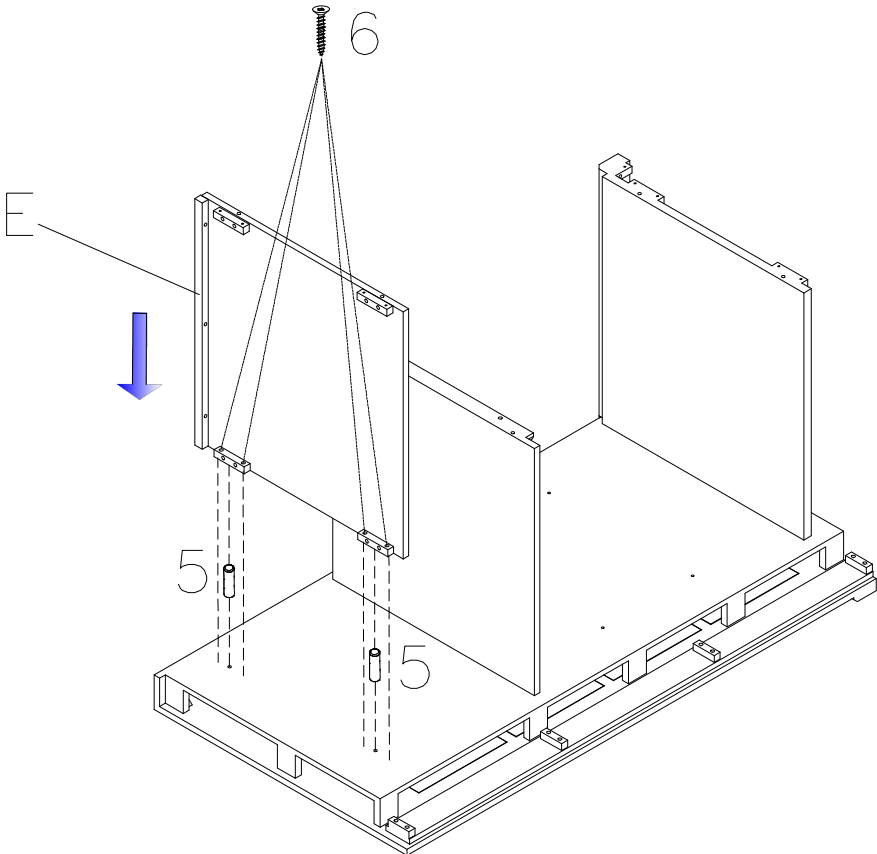
# STEP 1



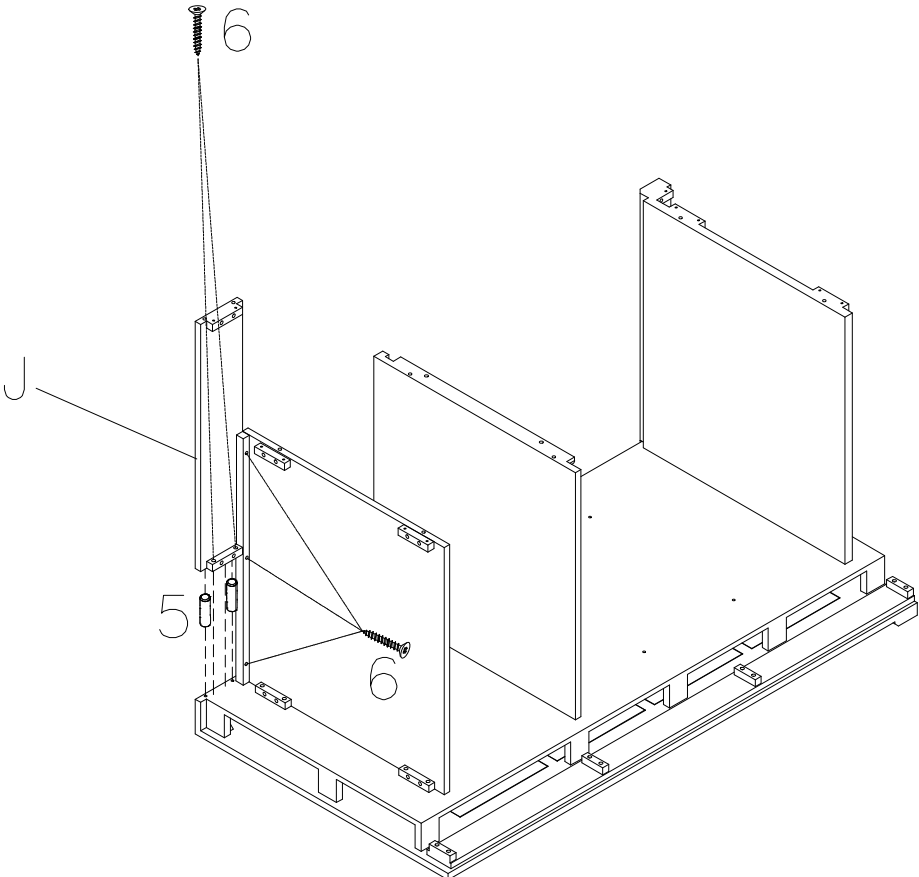
# STEP 2



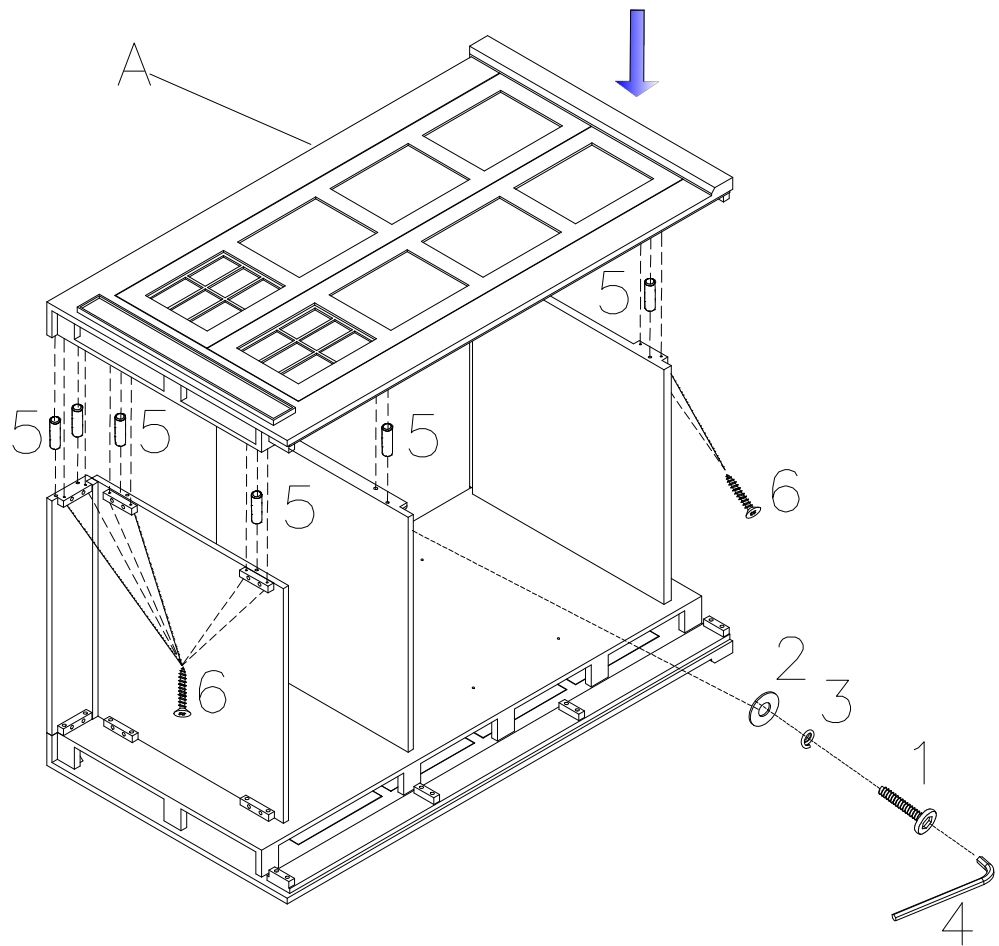
STEP 3



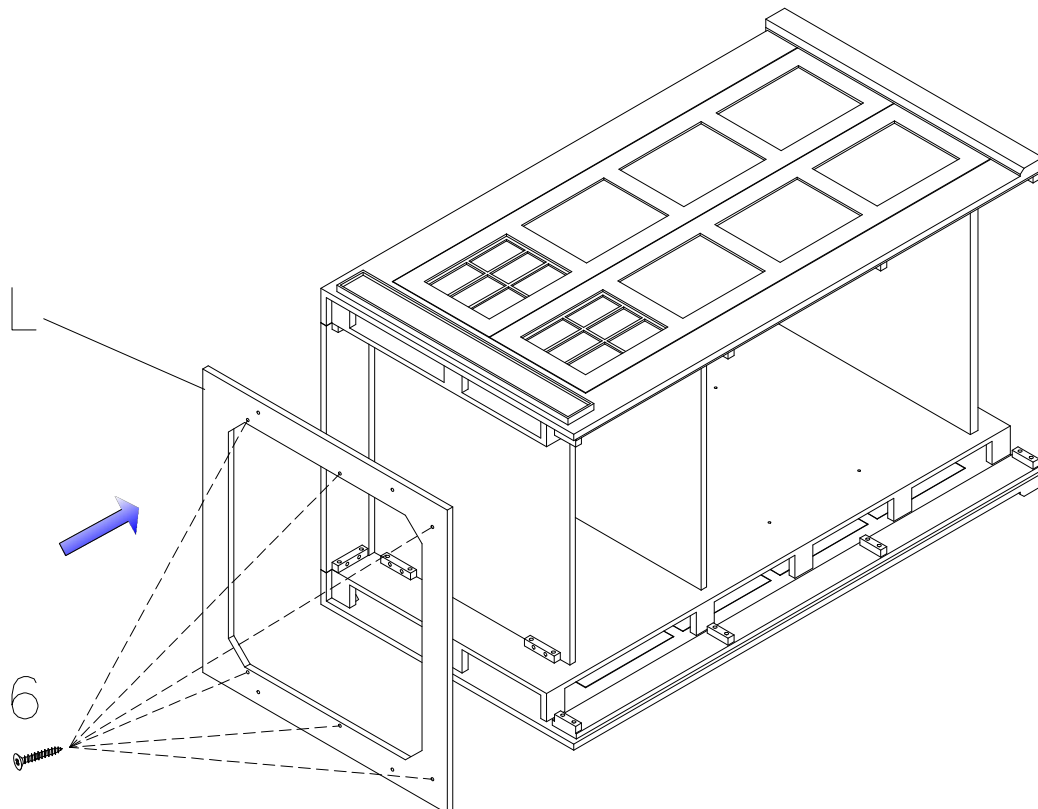
STEP 4



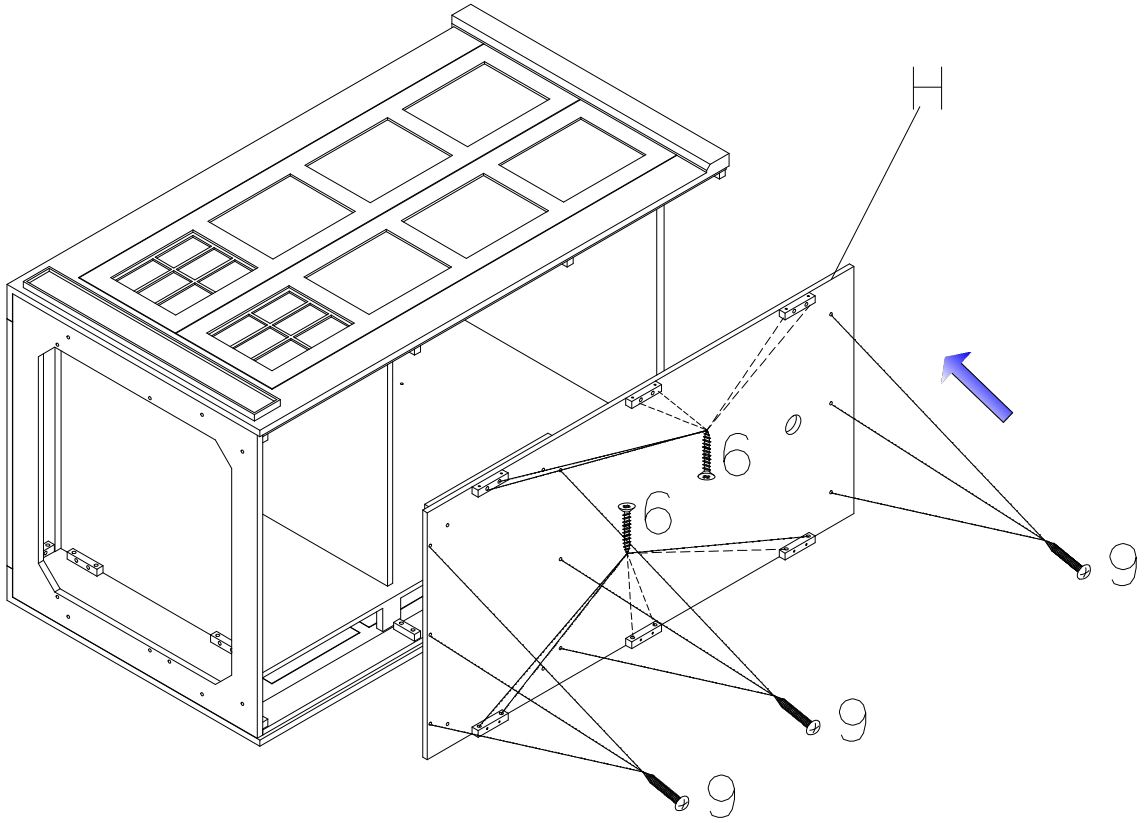
# STEP 5



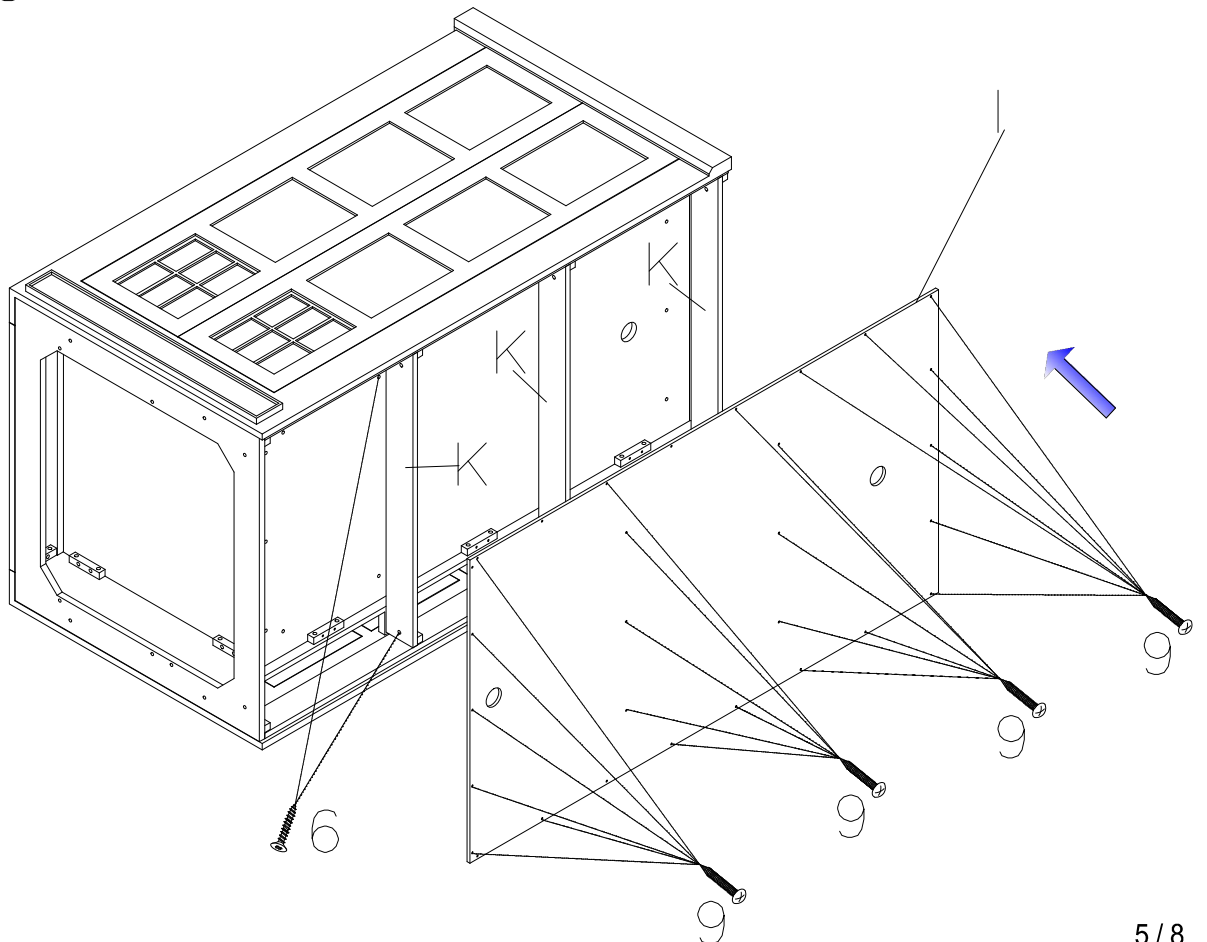
# STEP 6



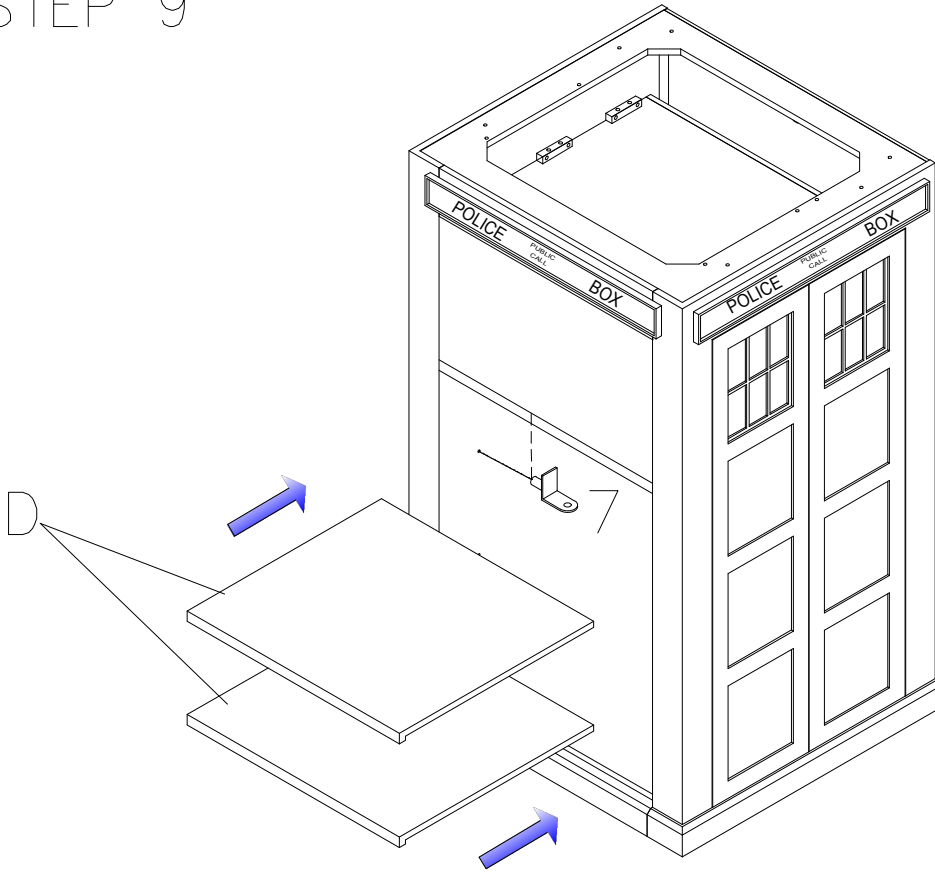
# STEP 7



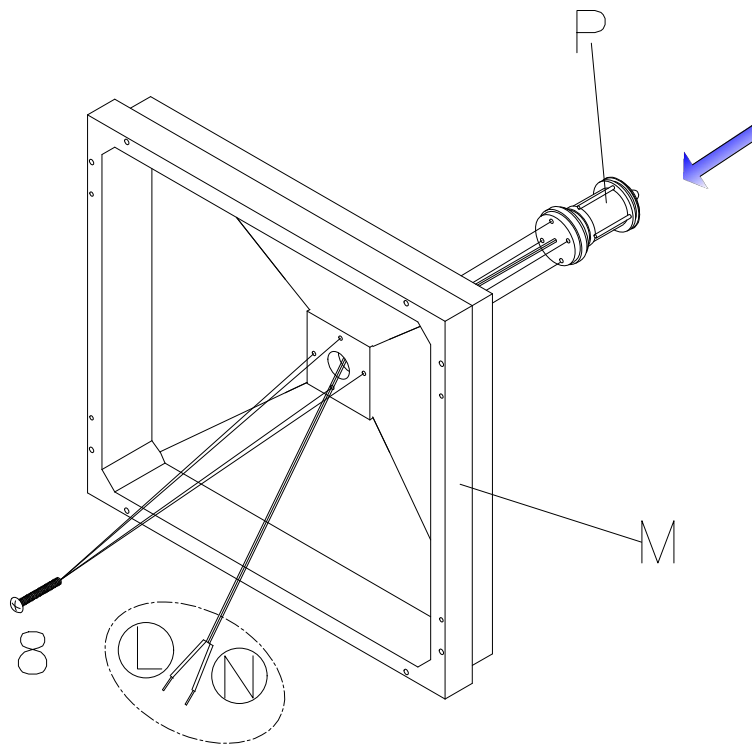
# STEP 8



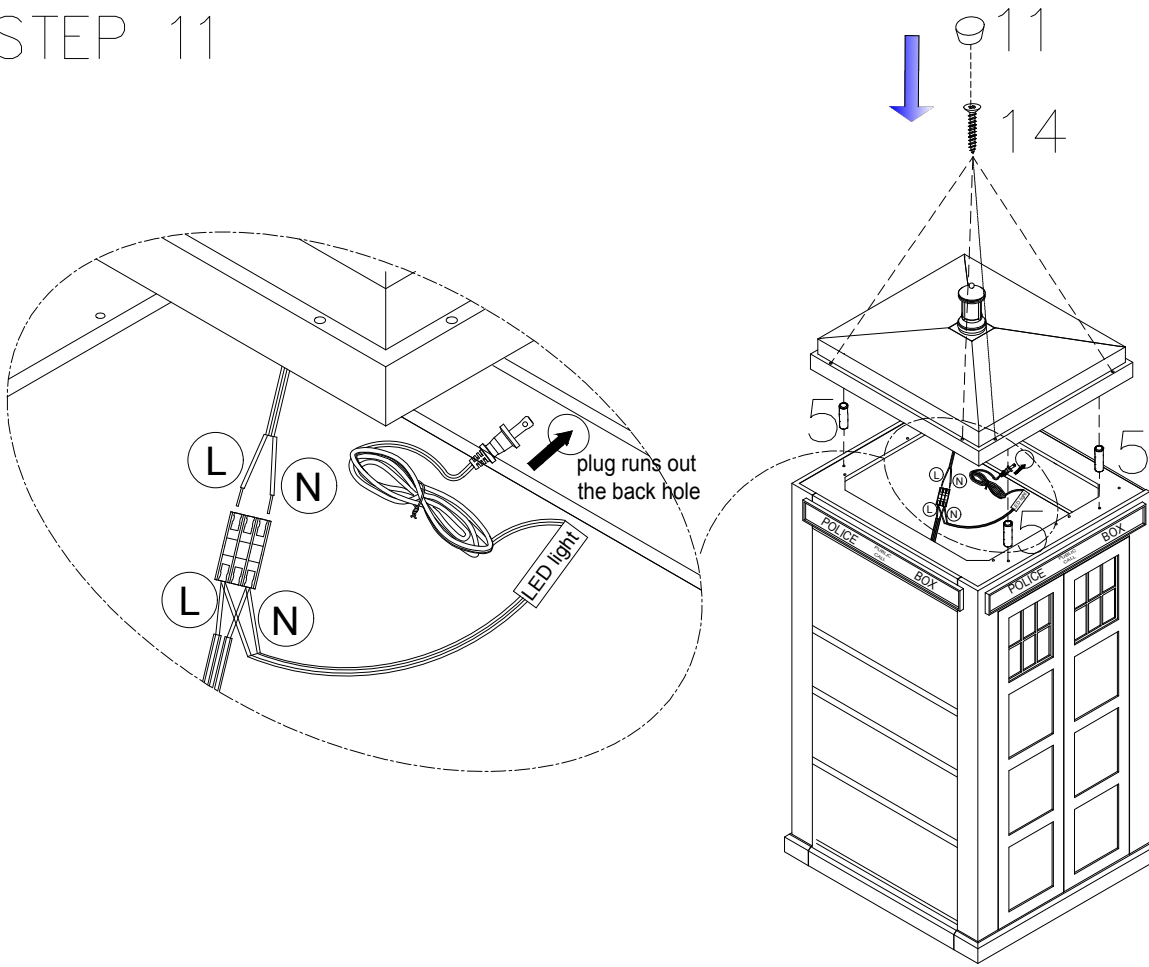
# STEP 9



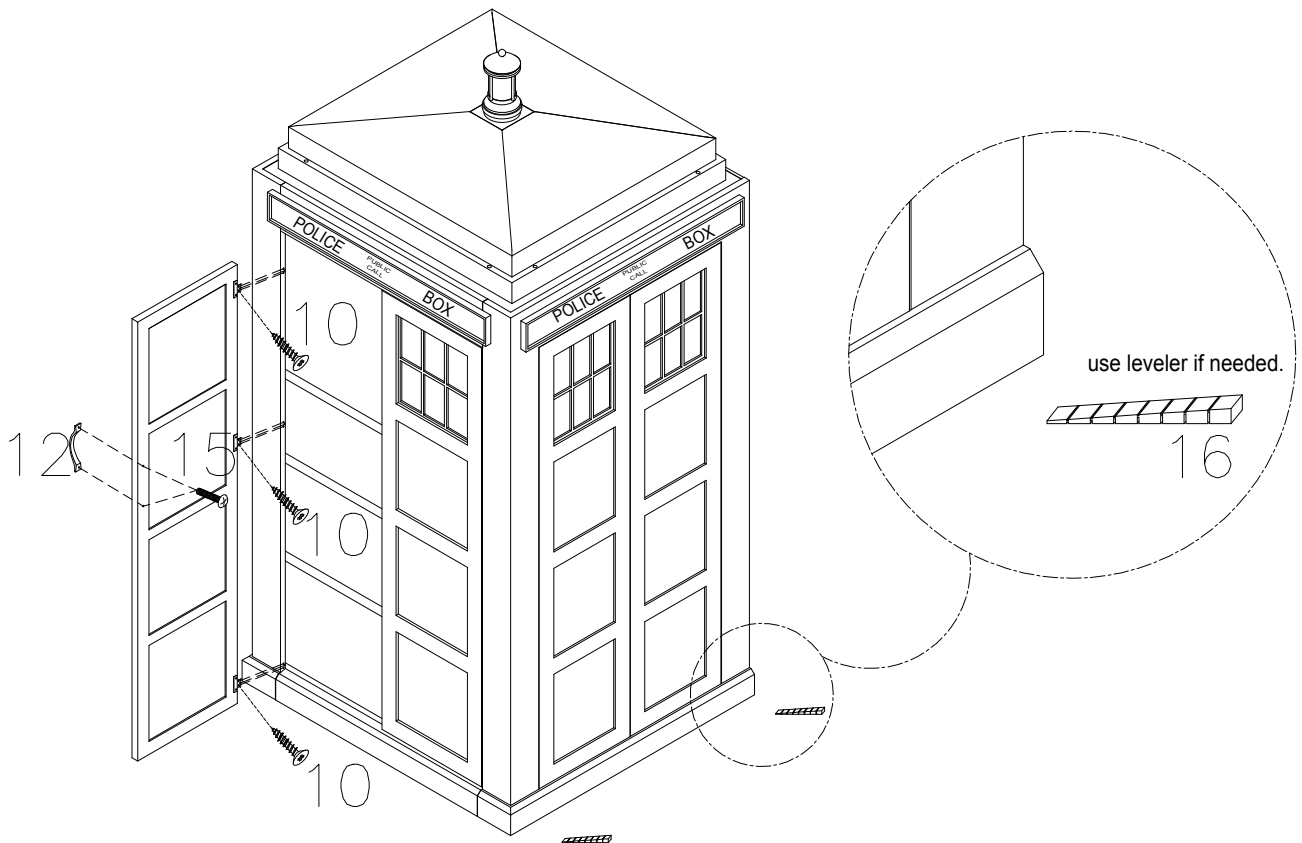
# STEP 10



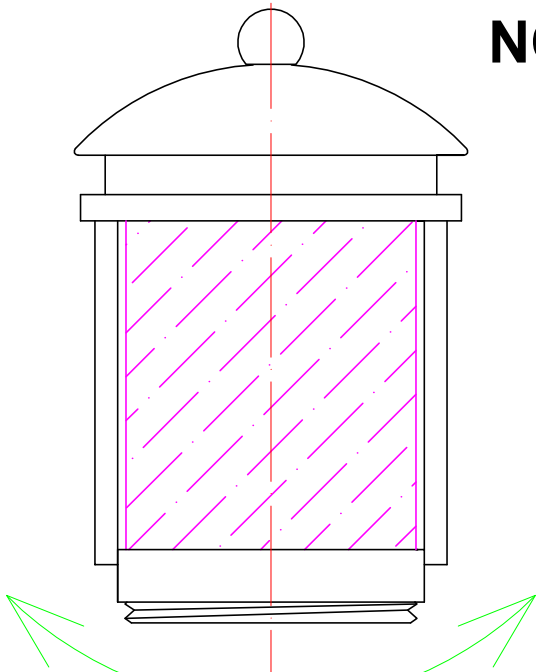
# STEP 11



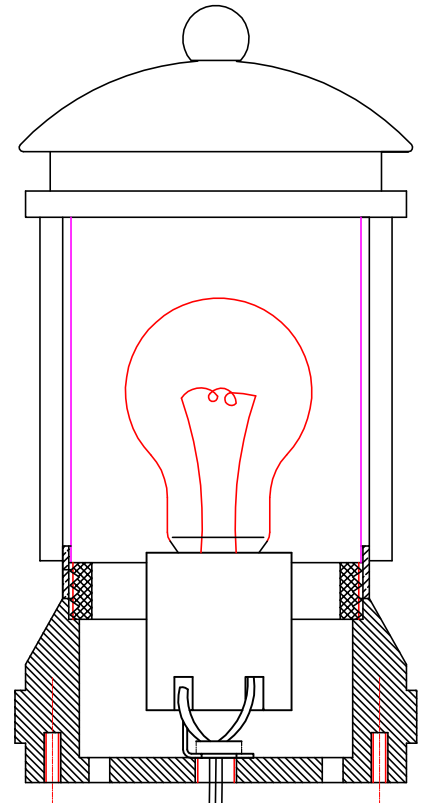
# STEP 12



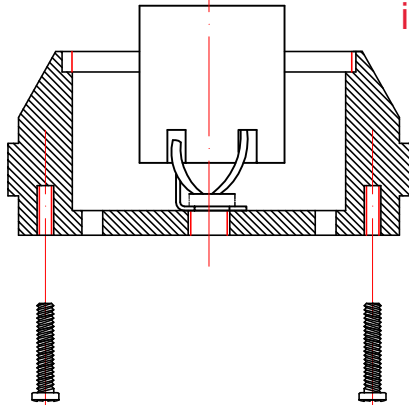
# NOTICE FOR LIGHTING:



open here to  
install the bulb



Connect lamp wires to  
the connector, "L" to "L"  
and "N" to "N".



screw from bottom

