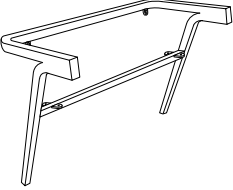
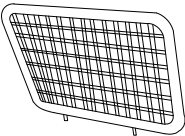
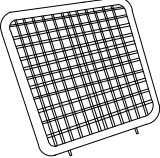
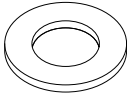
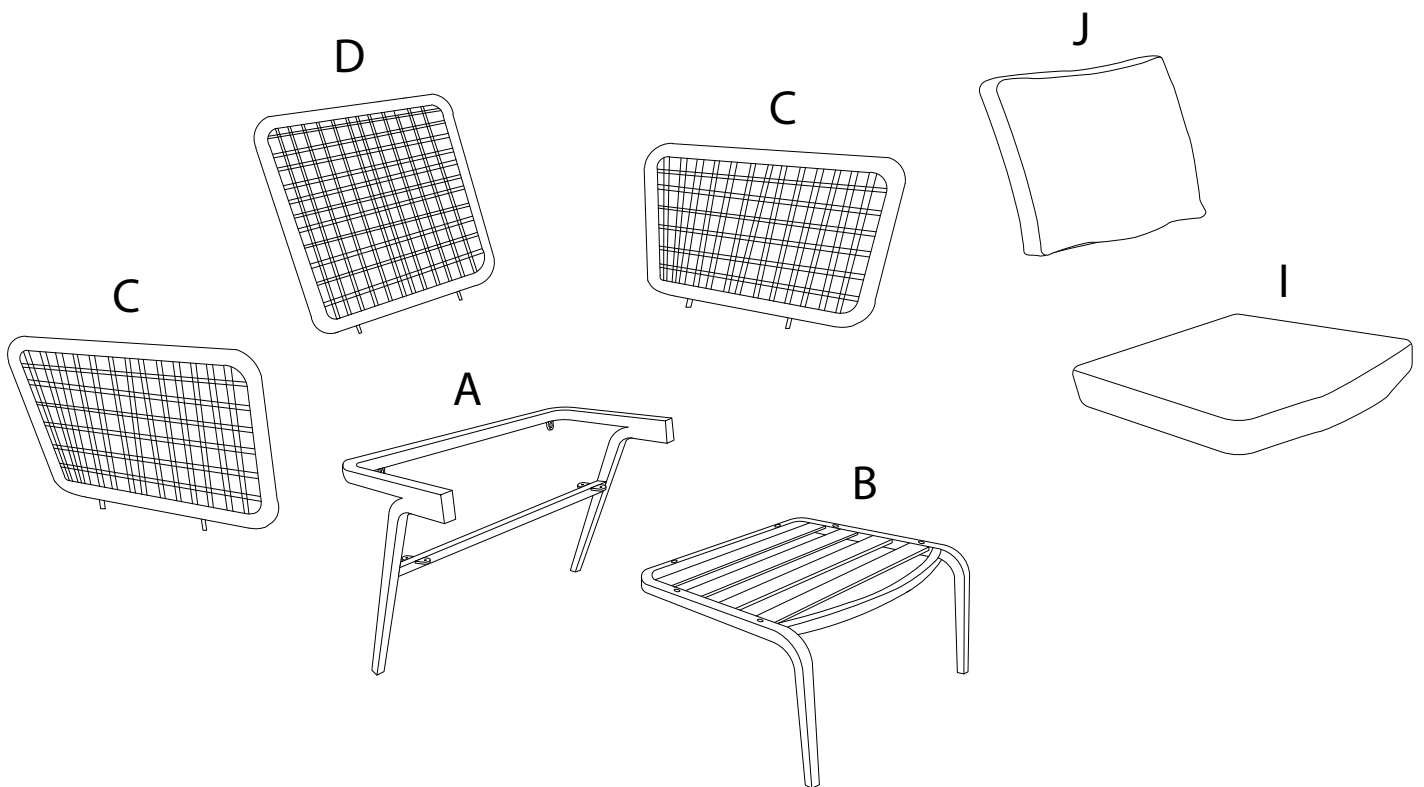
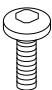
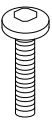

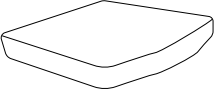
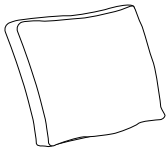


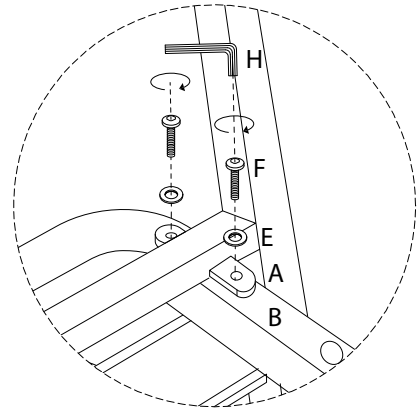
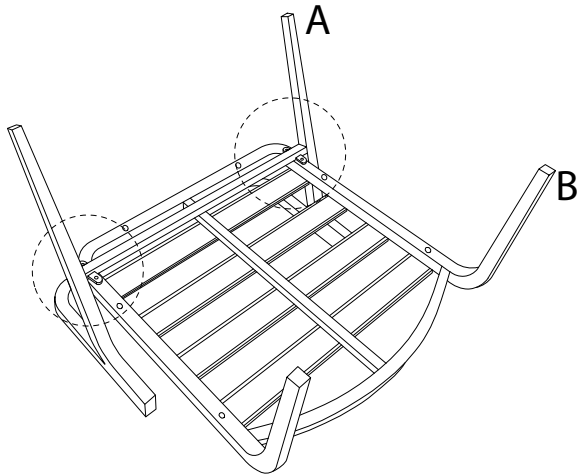
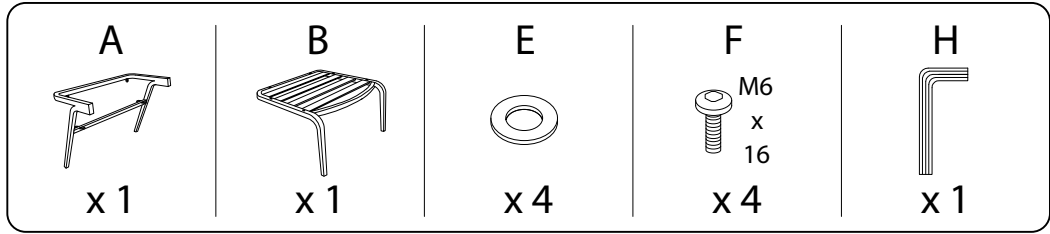
A x 2

A  x 1	B  x 1	C  x 2	D  x 1	E  x 12
---	---	---	--	--

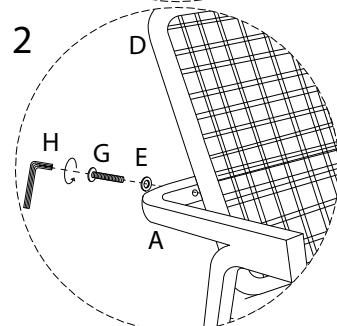
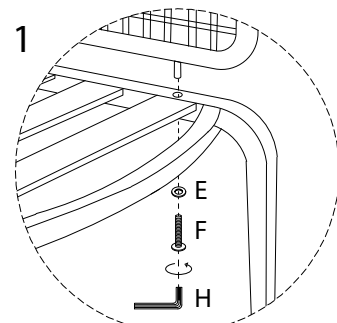
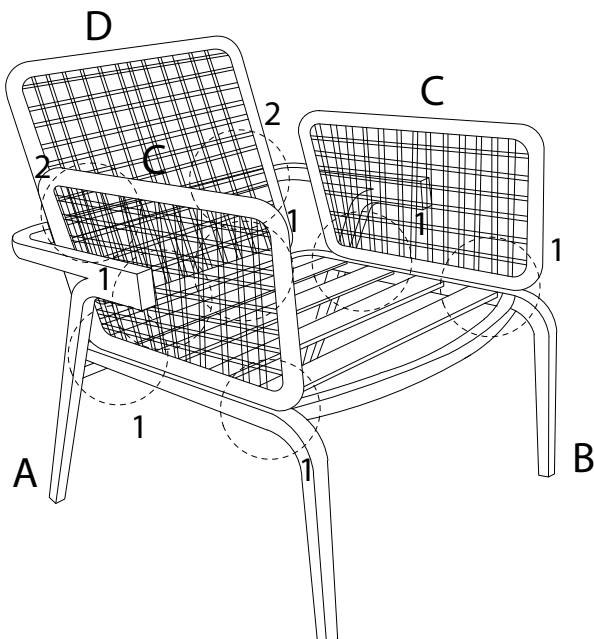
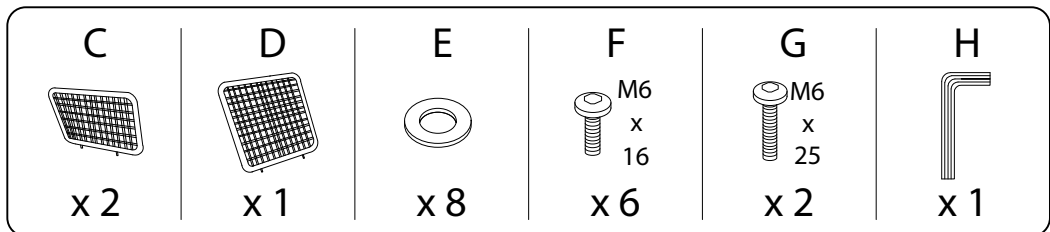


F  M6 x 16 x 10	G  M6 x 25 x 2	H  x 1	I  x 1	J  x 1
---	--	---	--	---

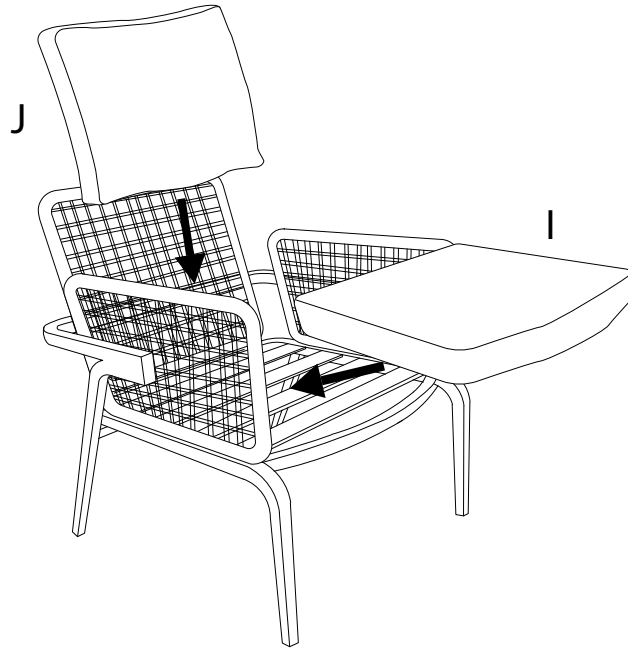
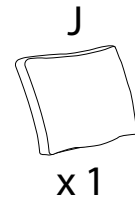
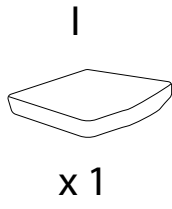
1



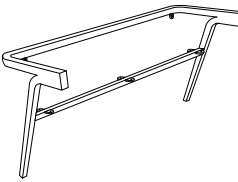
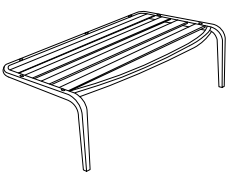
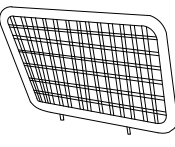
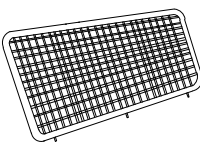
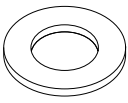
2

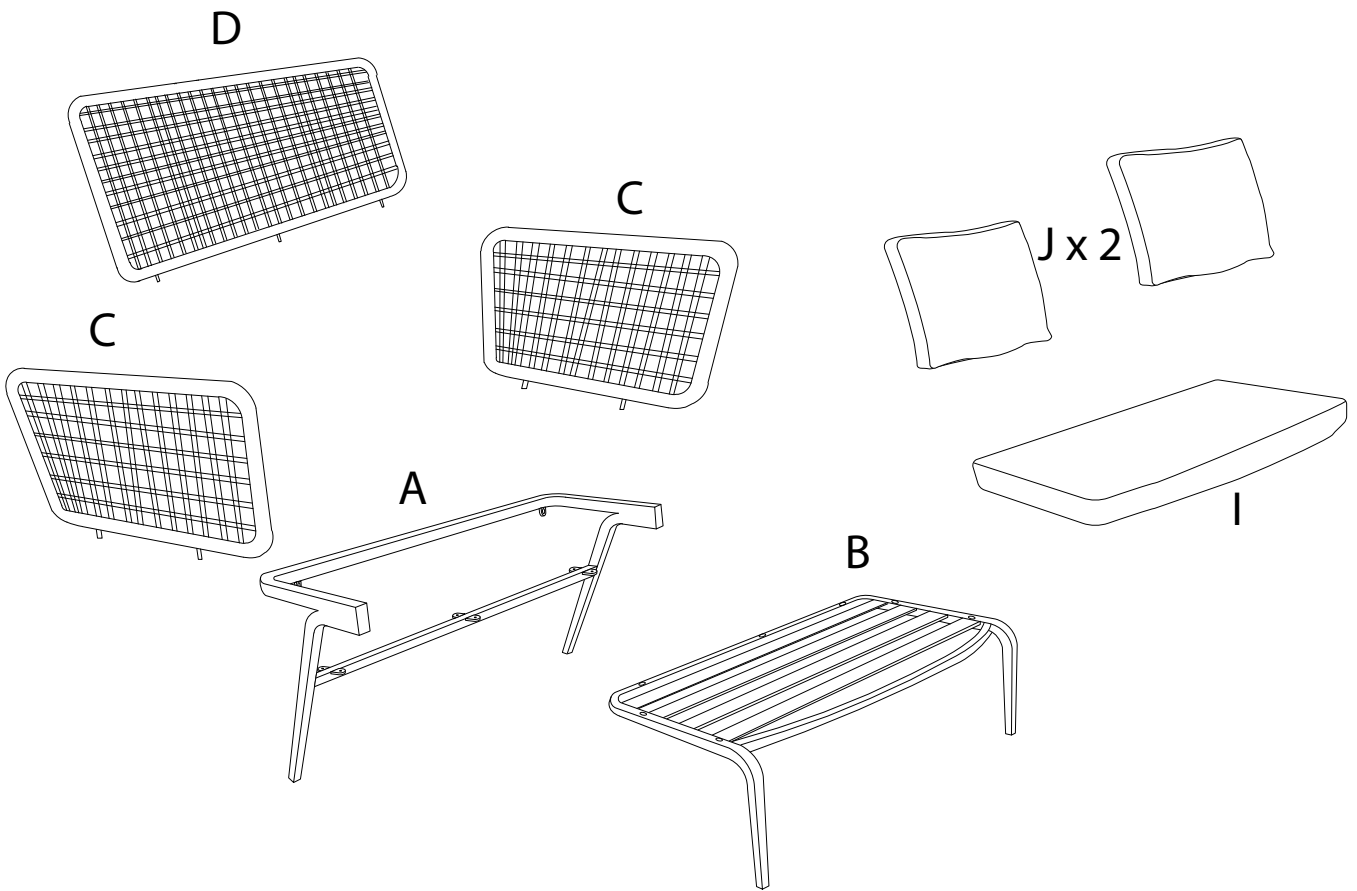



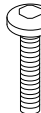
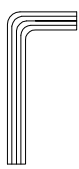
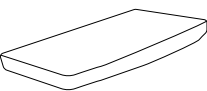
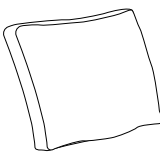
3



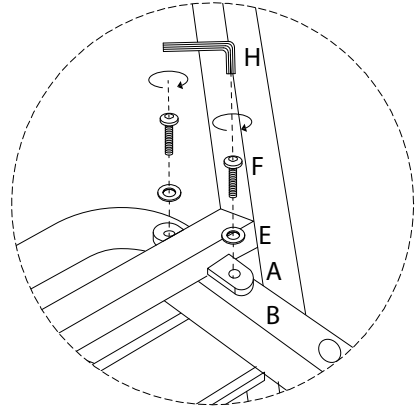
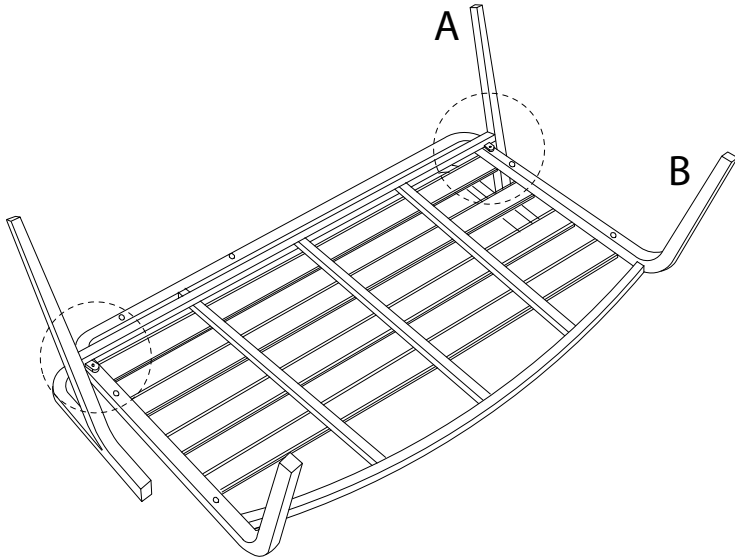
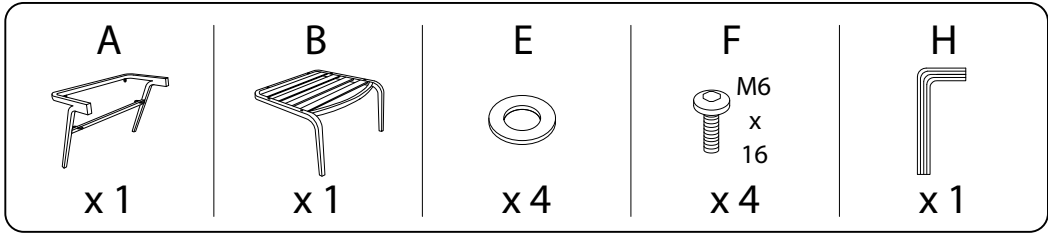
B

<p>A</p>  <p>x 1</p>	<p>B</p>  <p>x 1</p>	<p>C</p>  <p>x 2</p>	<p>D</p>  <p>x 1</p>	<p>E</p>  <p>x 13</p>
---	---	---	--	--

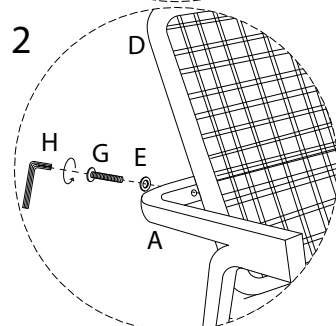
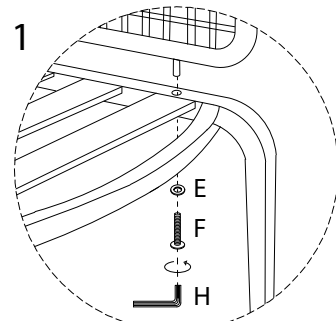
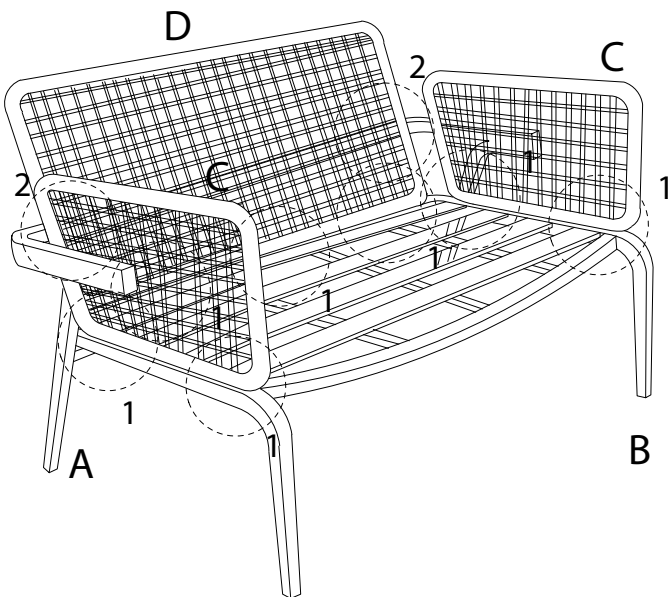
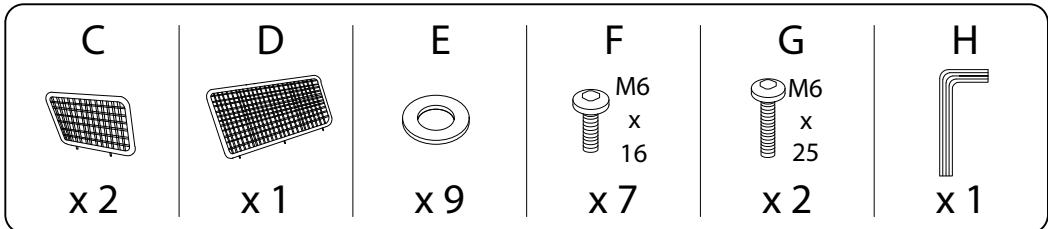


<p>F</p>  <p>M6 x 16</p> <p>x 11</p>	<p>G</p>  <p>M6 x 25</p> <p>x 2</p>	<p>H</p>  <p>x 1</p>	<p>I</p>  <p>x 1</p>	<p>J</p>  <p>x 2</p>
---	--	---	--	---

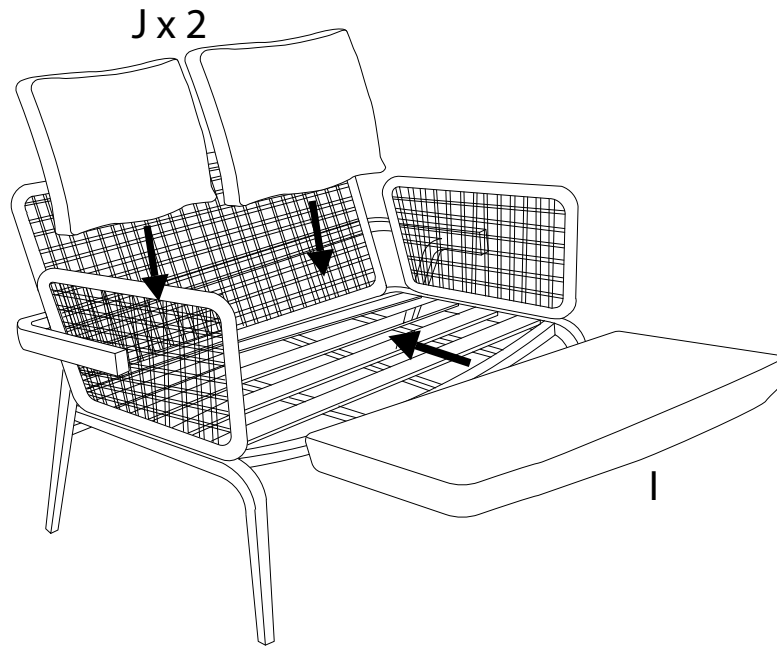
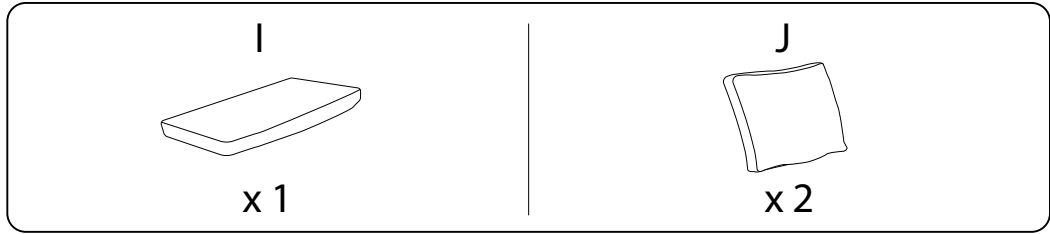
1



2



3



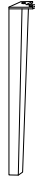
C

A



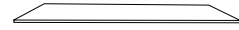
x 1

B



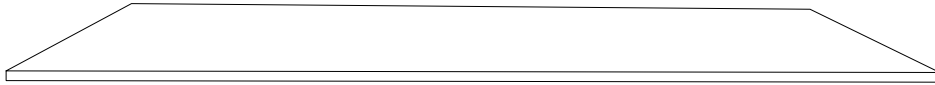
x 4

C

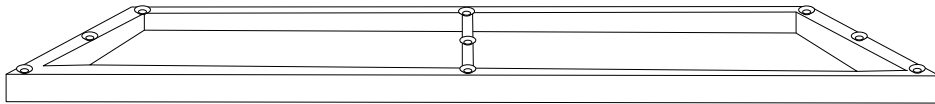


x 1

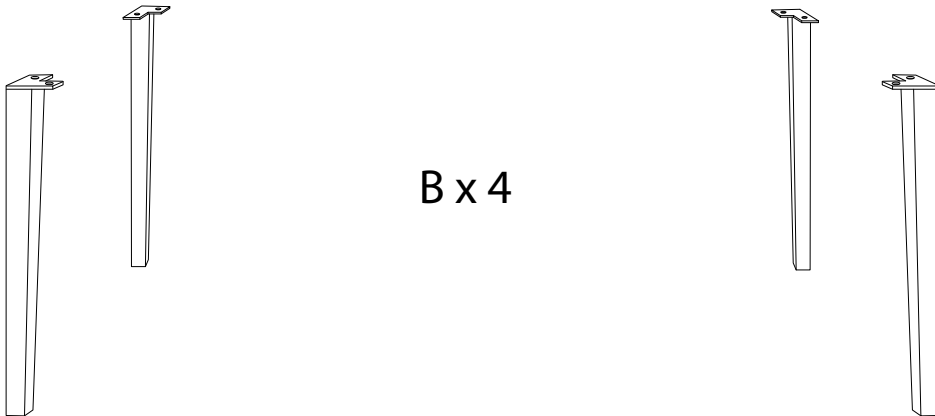
C



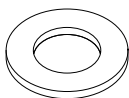
A



B x 4

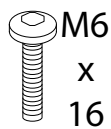


D



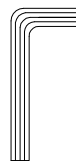
x 8

E



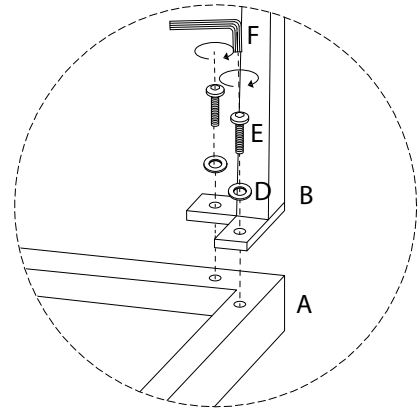
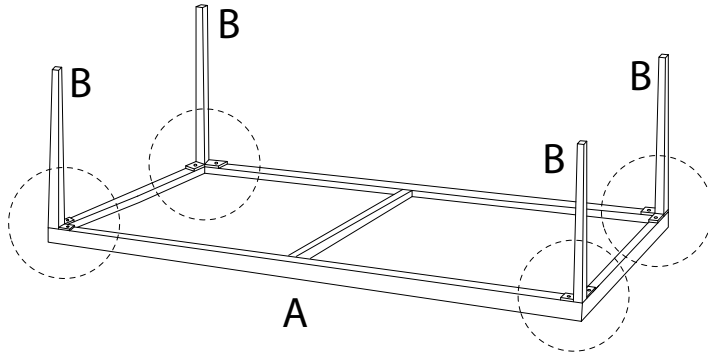
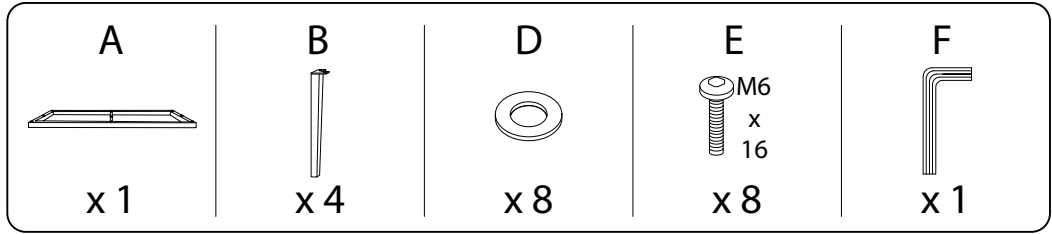
x 8

F



x 1

1



2

