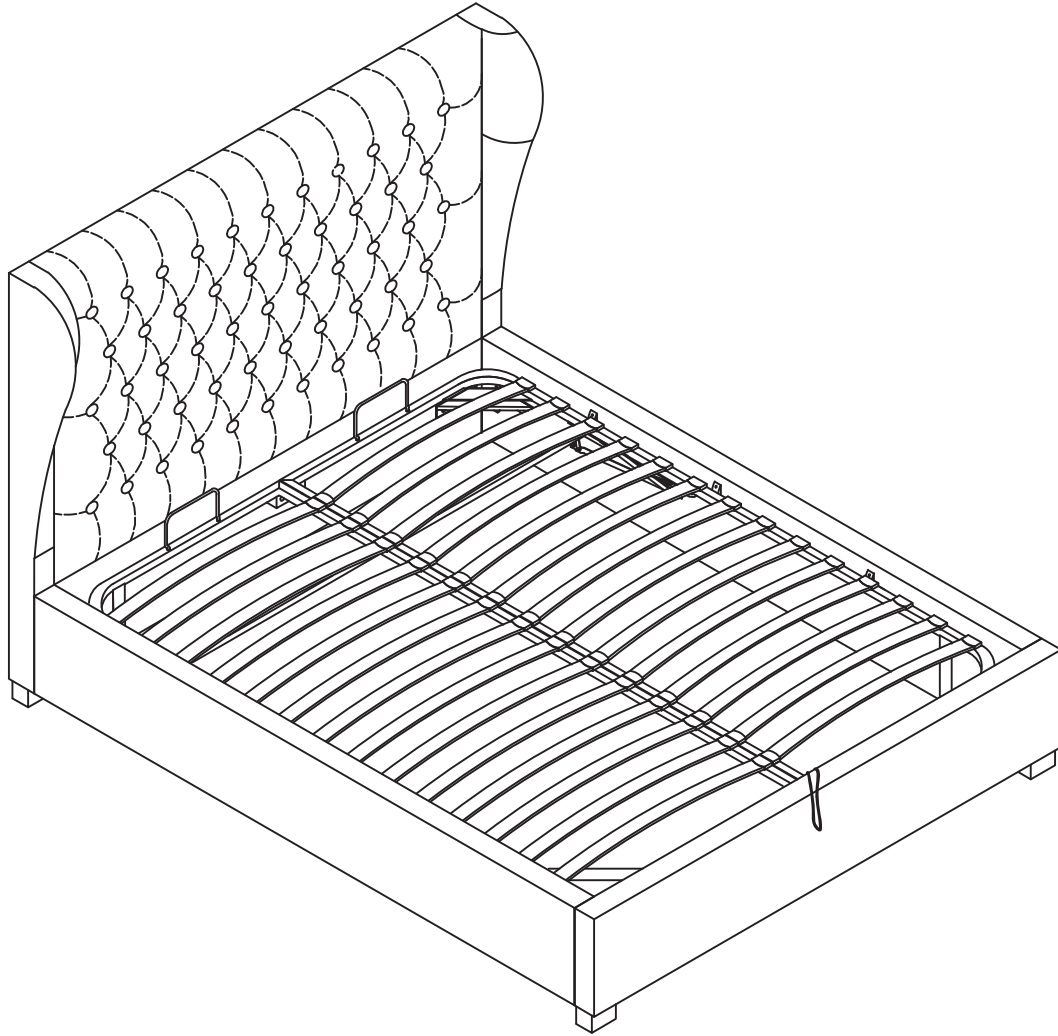


OTTOMAN BED ASSEMBLY INSTRUCTIONS

Thank you for purchasing the **OTTOMAN BED**. Please read the instructions carefully to ensure safe operation of the product.



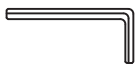
2095mm×1540mm×1300mm 4ft 6 **DOUBLE**
2195mm×1690mm×1300mm 5ft **KING**

PLEASE READ this sheet prior to assembly to familiarise yourself with the various stages of construction.

Carefully open the pack supplied and check the contents against the parts and fittings check list.
Do not destroy any of the packaging until you are certain that you have all the necessary parts for the assembly.

CAUTION: There are small components used in the construction of this unit. These loose items should be kept away from young children whilst assembling your unit to avoid the danger of choking hazards.

Tools Required



Screwdriver × 1
(not included)



1.5 Hour
Set Up

OTTOMAN BED ASSEMBLY INSTRUCTIONS

IMPORTANT - READ CAREFULLY - RETAIN THESE INSTRUCTIONS FOR FUTURE REFERENCE.

INFORMATION

- This product is intended for a maximum person's weight of 110kg per side. Do not exceed this weight.
- Due to the size of this product we recommend that it is assembled in the room intended for use.
- When you are ready to start, make sure that you have the right tools, plenty of space and a clean, dry area for assembly.
- Unwrap all packaging materials and place the components on top of the carton box or on a clean floor to prevent it from scratching.
- Check the pack and make sure you have all the parts listed.
- Ensure that this product is fully assembled and secured as illustrated before use.
- Check all screws or bolts are tightened and inspect regularly.
- This product should only be used on firm, level ground.
- Please dismantle for transportation.
- Tools are included.

WARNINGS

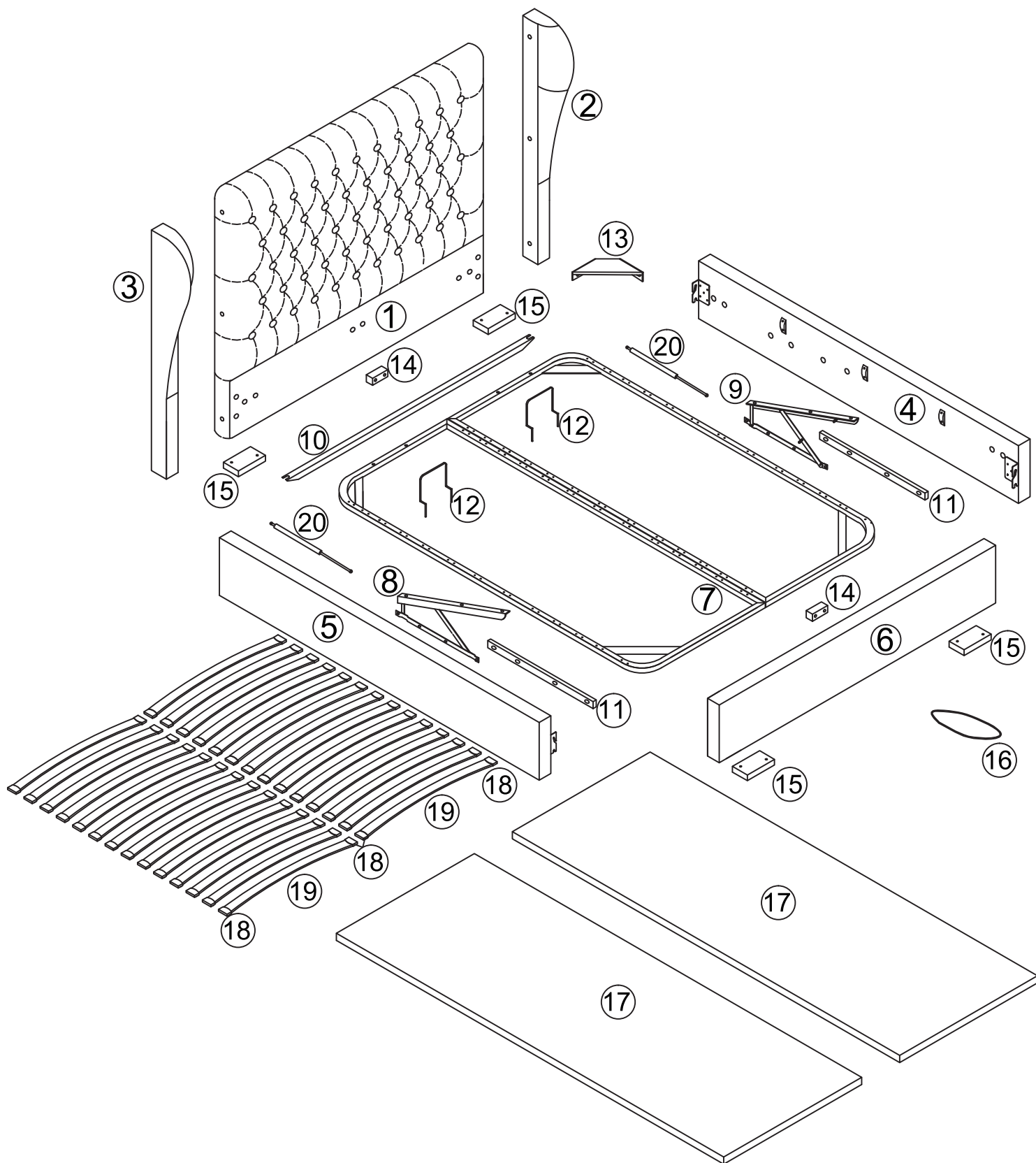
- Only use the storage compartment when the frame is fully raised in the up position.
- DO make sure the legs remain in contact with the ground.
- DO keep small parts out of reach of children.
- DO use caution when operating, this bed uses a pressured mechanism.
- DO keep hands and fingers clear of the mechanism when opening and closing the bed for use.
- DO NOT use power tools to construct this product.
- DO NOT tighten screws until fully assembled.
- DO NOT over tighten screws or bolts.
- DO NOT use this product if parts are missing, damaged or worn.
- DO NOT stand on the product.
- DO NOT remain on the bed whilst the lifting mechanism is in use.
- DO NOT expose this product to dripping or splashing, rain or areas with heavy moisture.
- DO NOT place any objects filled with liquids, such as vases, on the product.
- DO NOT insert foreign objects into the product or attempt to repair this unit by yourself.
- DO NOT place the product in direct sunlight, open flames such as candles or heat, such as radiators. Keep away from temperatures over 35°C.

CARE INFORMATION

- Never use scourers, abrasives or chemical cleaners.
- To clean wipe with a sponge and warm soapy water. Do not use solvent based cleaners or detergents as they can bleach or damage the product.

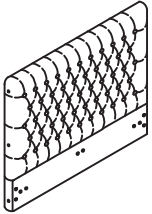


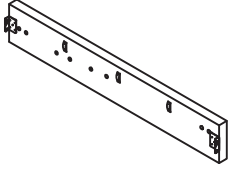
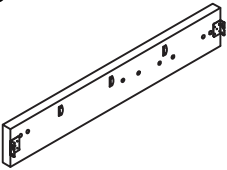
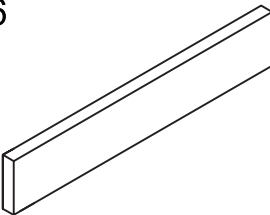
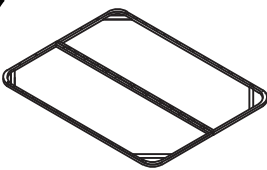
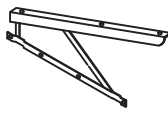
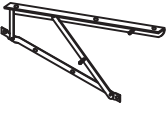
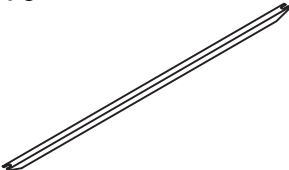
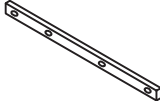
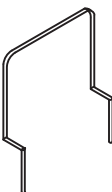
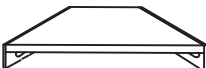
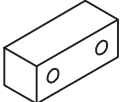
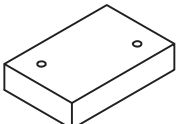

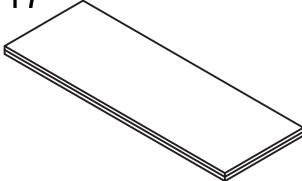



OTTOMAN BED ASSEMBLY INSTRUCTIONS

Please check the pack contents before assembling the product. If any components are missing, please contact your retailer. The fittings pack contains small items that should be kept away from small children.



OTTOMAN BED ASSEMBLY INSTRUCTIONS

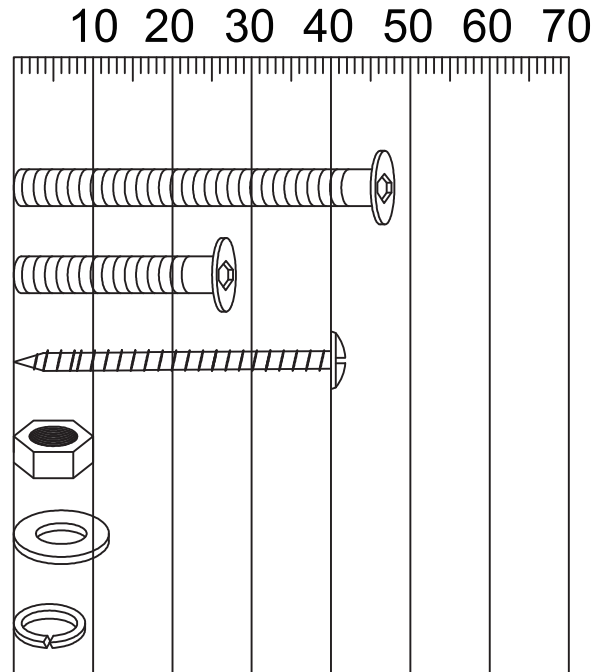
Parts

<p>1</p> 	<p>2</p> 	<p>3</p> 	<p>4</p> 
<p>Description: HEADBOARD Qty: 1pc Dimension: 4'6" 1390x1280x100 mm Dimension: 5' 1540x1280x100 mm</p>	<p>Description: RIGHT WING Qty: 1pc Dimension: 1280x275x100 mm</p>	<p>Description: LEFT WING Qty: 1pc Dimension: 1280x275x100 mm</p>	<p>Description: RIGHT SIDE RAIL Qty: 1pc Dimension: 4'6" 1940x305x75 mm Dimension: 5' 2040x305x75 mm</p>
<p>5</p> 	<p>6</p> 	<p>7</p> 	<p>8</p> 
<p>Description: LEFT SIDE RAIL Qty: 1pc Dimension: 4'6" 1940x305x75 mm Dimension: 5' 2040x305x75 mm</p>	<p>Description: FOOTBOARD Qty: 1pc Dimension: 4'6" 1530x305x75 mm Dimension: 5' 1680x305x75 mm</p>	<p>Description: METAL FOLDING BED FRAME Qty: 1pc Dimension: 4'6" 1900x1350x30 mm Dimension: 5' 2000x1500x30 mm</p>	<p>Description: LEFT PNEUMATIC ARM Qty: 1pc Dimension: 910x95x50 mm</p>
<p>9</p> 	<p>10</p> 	<p>11</p> 	<p>12</p> 
<p>Description: RIGHT PNEUMATIC ARM Qty: 1pc Dimension: 910x95x50 mm</p>	<p>Description: CROSS RAIL Qty: 1pc Dimension: 4'6" 1340x30x30 mm Dimension: 5' 1490x30x30 mm</p>	<p>Description: MDF SLATS Qty: 2pcs Dimension: 520x30x15 mm</p>	<p>Description: MATTRESS STOPPER Qty: 2pcs Dimension: 205x130x20 mm</p>
<p>13</p> 	<p>14</p> 	<p>15</p> 	<p>16</p> 
<p>Description: CORNER BRACKETS Qty: 4pcs Dimension: 250x85x35 mm</p>	<p>Description: HOLDING BLOCKS Qty: 2pcs Dimension: 120x40x40 mm</p>	<p>Description: WOODEN FOOT Qty: 4pcs Dimension: 120x60x25 mm</p>	<p>Description: BELT Qty: 1pc Dimension: 280x25x3 mm</p>
<p>17</p> 	<p>18</p> 	<p>19</p> 	<p>20</p> 
<p>Description: BOTTOM PANEL Qty: 2pcs Dimension: 4'6" 1910x680x30 mm Dimension: 5' 2010x755x30 mm</p>	<p>Description: PLASTIC SLAT CAPS Qty: 4'6": 56 pcs / 5': 64pcs Dimension: 55x30x25 mm</p>	<p>Description: BENT SLATS Qty: 4'6": 28 pcs / 5': 32 pcs Dimension: 4'6" 670x55x10 mm Dimension: 5' 745x55x10 mm</p>	<p>Description: PNEUMATIC BAR Qty: 2 pcs Dimension: 555xØ25 mm</p>

OTTOMAN BED ASSEMBLY INSTRUCTIONS

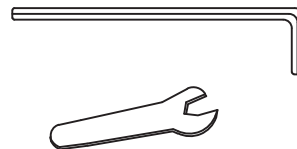
Fixings (to scale)

Ref	Dimensions	Qty
A	Bolt-M8x45	18
B	Bolt-M8x25	30
C	Screw5x40	8
D	Nut	4
E	Washer M8	48
F	Spring Washer M8	42



(Not to scale)

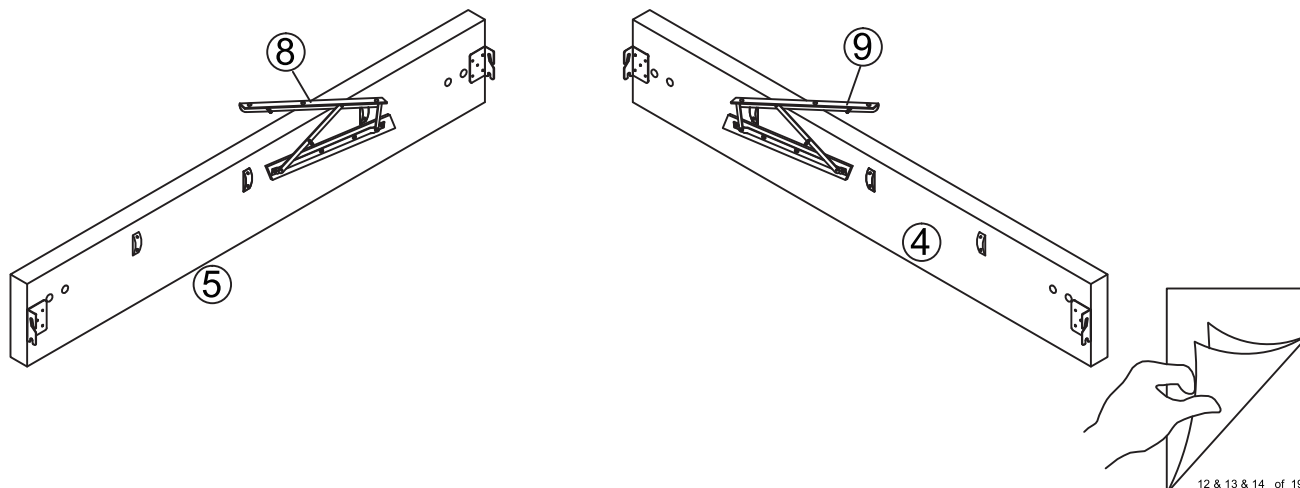
G	5mm Allen Key	1
H	Spanner	1



CAUTION: There are many small components used in the construction of this product. Please keep these components away from young children whilst assembling this product.

If you keep the fittings in a bowl during assembly you will be less likely to lose them!

OTTOMAN BED ASSEMBLY INSTRUCTIONS



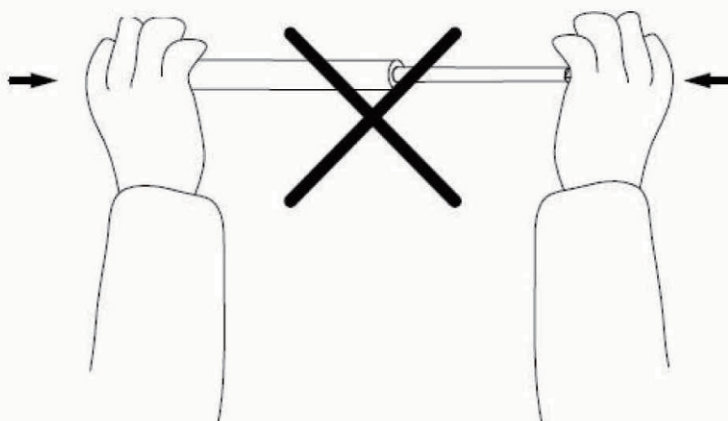
Turn to page 12 & 13 & 14
for fitting the hinges

! IMPORTANT PISTON INFORMATION

The pistons used in the construction of this product are extremely strong and cannot be operated by hand when not fitted to the ottoman hinges. All pistons are tested in the factory for correct pressure and operation before use.

Initially it might appear that the pistons are very stiff when opening and closing the ottoman frame, THIS IS NORMAL.

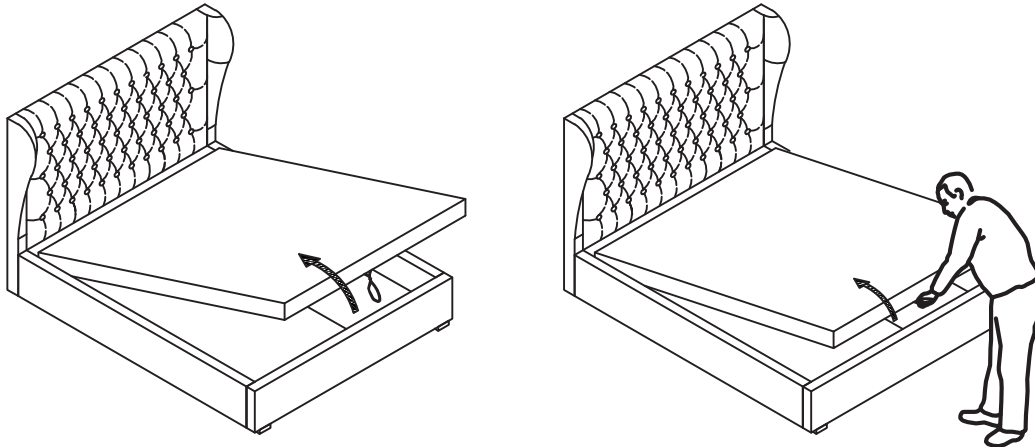
After operating the ottoman a few times, the movement of the pistons and the opening and closing of the ottoman will become easier.



OTTOMAN BED ASSEMBLY INSTRUCTIONS

Hints and Tips

To operate the ottoman, always use 2 hands at arm's length and only where illustrated on this product. You must ensure the mattress is on the bed frame before lifting the mechanism. **Failure to do so may result in injury.** There are many small components used in the construction of this product. Please keep these components away from young children whilst assembling this product.



If removing the mattress, make sure the frame is secured so it does not flip open. When lifting the bed frame, remove pillows and covers.

PLEASE NOTE - It takes a lot of force to make the initial movement of the ottoman - **THIS IS A DESIGN FEATURE OF THE PRODUCT SO THAT IT DOES NOT FALL SHUT** - and the nearer to being closed the ottoman is, the easier it is to move. When the ottoman is almost shut, it will close completely under its own weight.

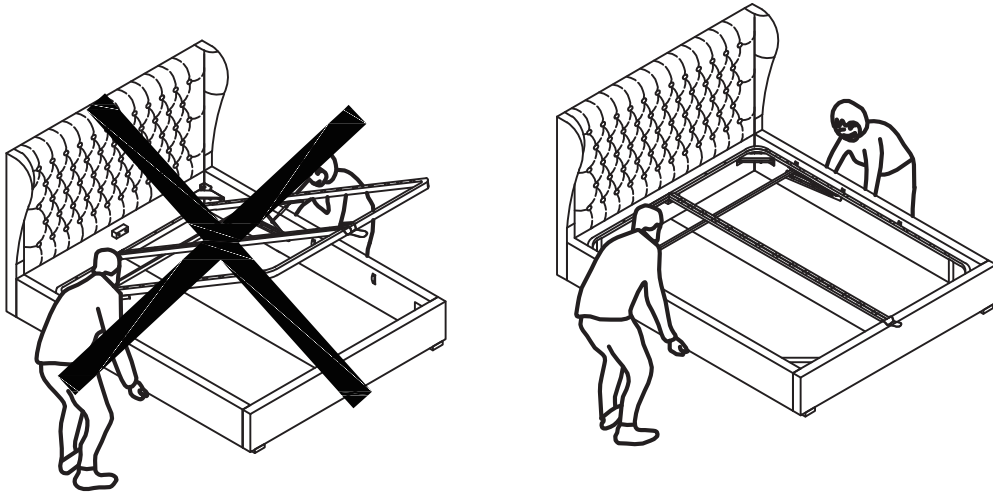
When lowering the slat unit for the first time, take care to make sure it does not rub unevenly on the inside face of the Side Rail. If it does, the bed has been assembled slightly out of square. This can be rectified by moving the Footboard of the bed slightly to the left or right whilst leaving the headboard of the bed frame stationary.

Tip for difficulty with compression:

If you are experiencing difficulty with the initial compression try fitting one piston at a time (following the Assembly Instructions) then press down on the side of the frame with the piston fitted - this acts like a big lever (The weight of the mattress can be used to supplement the load exerted). Effectively you are doubling the amount of force applied, because you have halved the resistance offered by the pistons. It can take slightly more effort than you might feel comfortable applying to the bed frame at first.

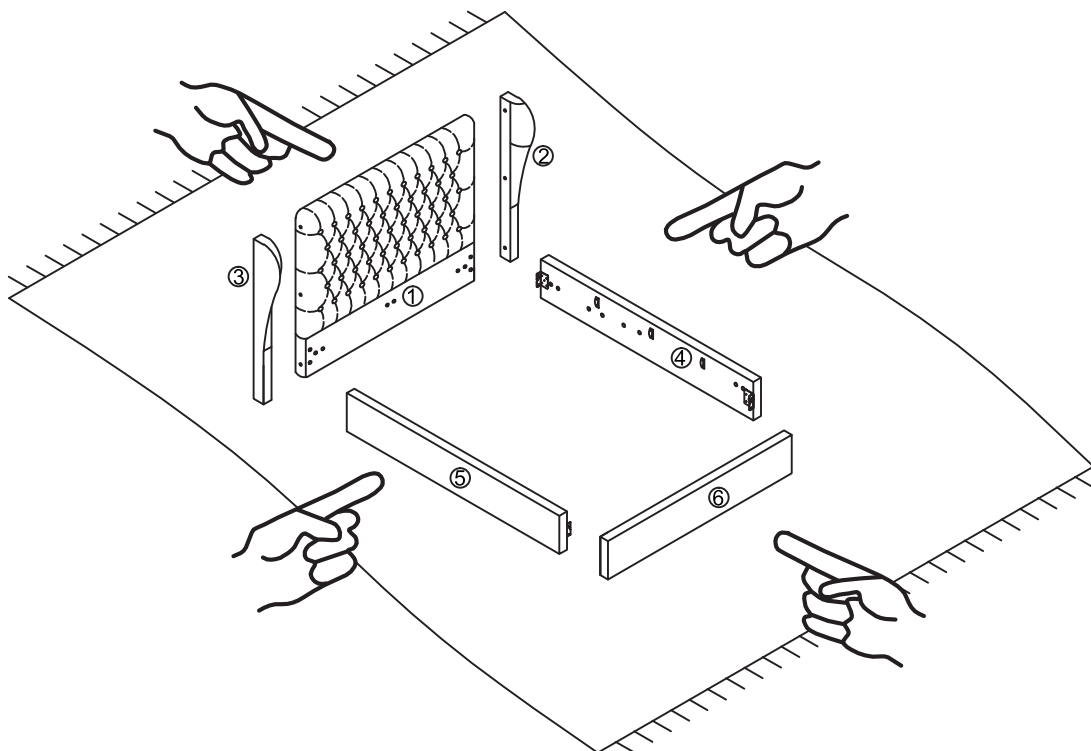
OTTOMAN BED ASSEMBLY INSTRUCTIONS

Do not attempt to move the bed whilst the frame is in the upright position.

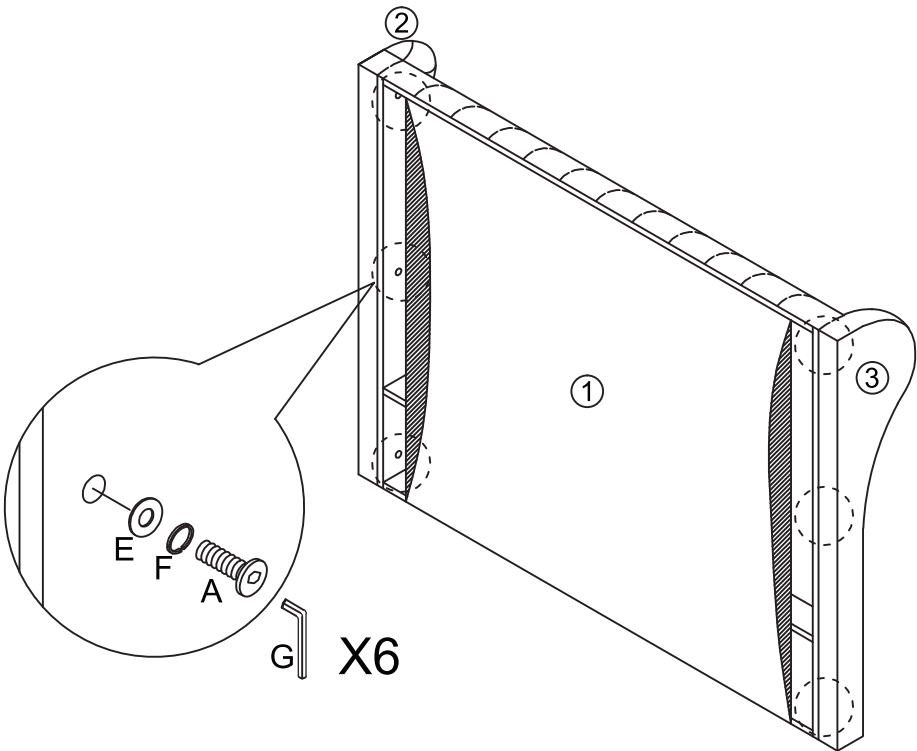


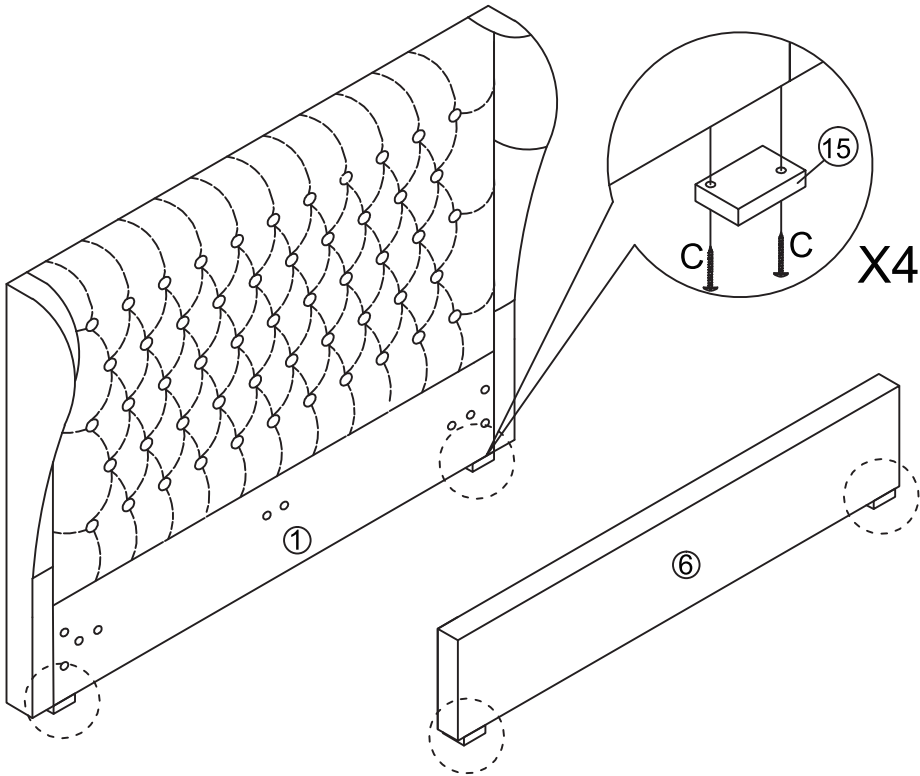
Layout Parts on Soft Surface

Layout all Part on a soft surface i.e. Rug, Carpet or Packaging Carton.



OTTOMAN BED ASSEMBLY INSTRUCTIONS

STEP 1	PARTS REQUIRED
	<ul style="list-style-type: none"> 1. Headboard x 1 2. Right Wing x 1 3. Left Wing x 1 A. 45mm M8 Bolt x 6 E. Flat Washer x 6 F. Spring Washer x 6 G. 5mm Allen Key x 1

STEP 2	PARTS REQUIRED
	<ul style="list-style-type: none"> 1. Headboard x 1 6. Footboard x 1 15. Wooden Foot x 4 C. Screw x 8

OTTOMAN BED ASSEMBLY INSTRUCTIONS

STEP 3	PARTS REQUIRED
	<ul style="list-style-type: none"> 1. Headboard x 1 6. Footboard x 1 B. 25mm M8 Bolt x 8 E. Flat Washer x 8 F. Spring Washer x 8 G. 5mm Allen Key x 1

STEP 4	PARTS REQUIRED
	<ul style="list-style-type: none"> 1. Headboard x 1 4. Right Side Rail x 1 5. Left Side Rail x 1 6. Footboard x 1 G. 5mm Allen Key x 1 <p>IMPORTANT: ENSURE SIDE RAILS 4 & 5 ARE FITTED TO THE SIDES SHOWN IN THE DIAGRAM OTHERWISE THE CORNER BRACKET IN STEP 5 WILL NOT ALIGN</p> <p>MAKE CERTAIN THE BED IS SQUARE AS SHOWN.</p> <p>Note: THEN tighten all bolts 100% using allen key</p>

OTTOMAN BED ASSEMBLY INSTRUCTIONS

STEP 5	PARTS REQUIRED
<p style="text-align: right; font-size: 2em;">X4</p>	<ul style="list-style-type: none"> 13. Corner Brackets x 4 B. 25mm M8 Bolt x 16 E. Flat Washer x 16 F. Spring Washer x 16 G. 5mm Allen Key x 1

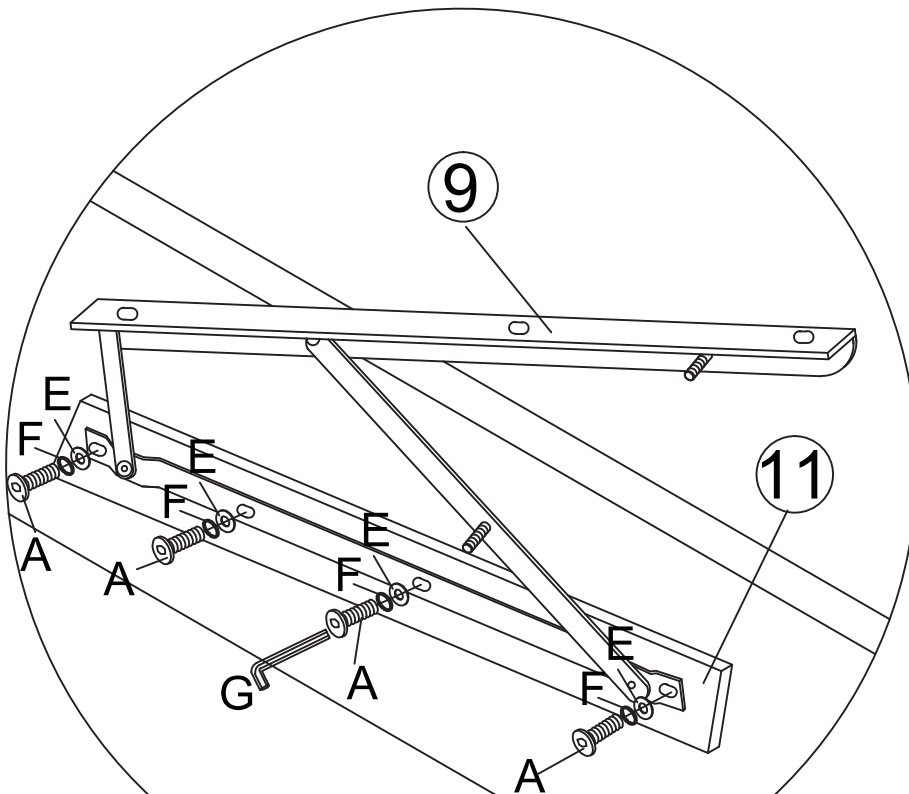
STEP 6	PARTS REQUIRED
<p style="text-align: right; font-size: 2em;">X1</p>	<ul style="list-style-type: none"> 14. Holding Blocks x 1 A. 45mm M8 Bolt x 2 E. Flat Washer x 2 F. Spring Washer x 2 G. 5mm Allen Key x 1

OTTOMAN BED ASSEMBLY INSTRUCTIONS

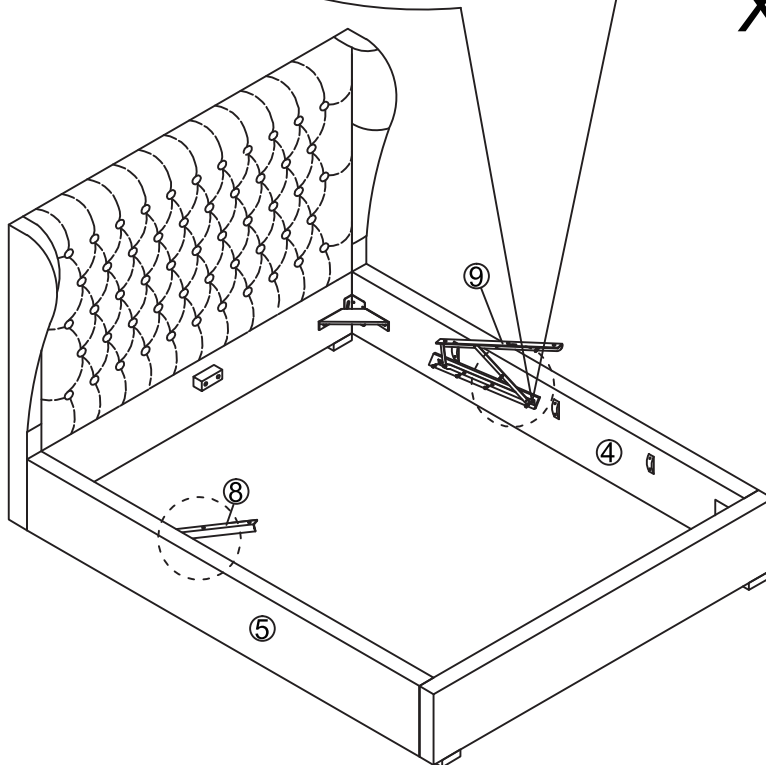
STEP 7

PARTS REQUIRED

- 8. Left Pneumatic Arm x 1
- 9. Right Pneumatic Arm x 1
- 11. MDF Slats x 2
- A. 45mm M8 Bolt x 8
- E. Flat Washer x 8
- F. Spring Washer x 8
- G. 5mm Allen Key x 1



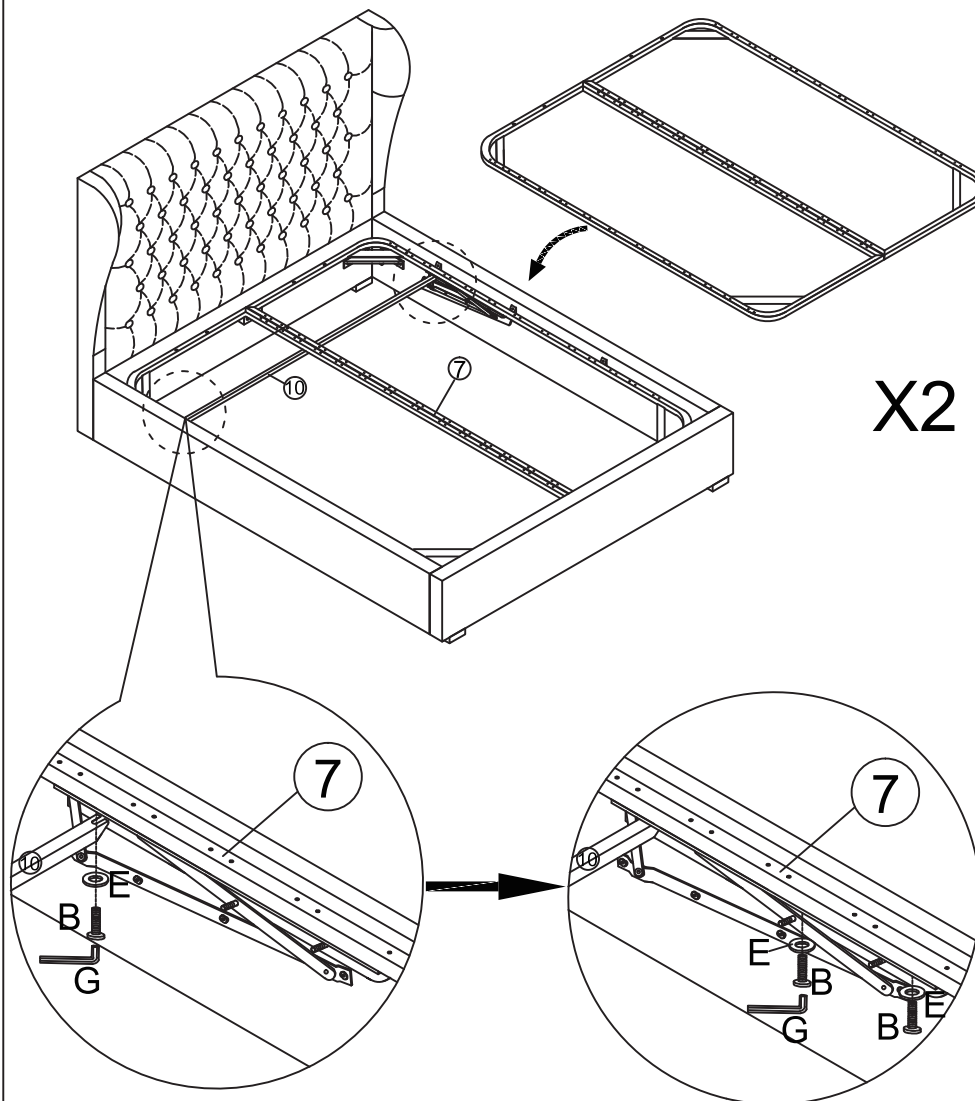
X2



OTTOMAN BED ASSEMBLY INSTRUCTIONS

STEP 8

PARTS REQUIRED



- 7. Metal Folding Bed Frame x 1
- 10. Cross Rail x 1
- B. 25mm M8 Bolt x 6
- E. Flat Washer x 6
- G. 5mm Allen Key x 1

The ⑩ and ⑦ connections align the burr holes.
On both sides at the same time.

OTTOMAN BED ASSEMBLY INSTRUCTIONS

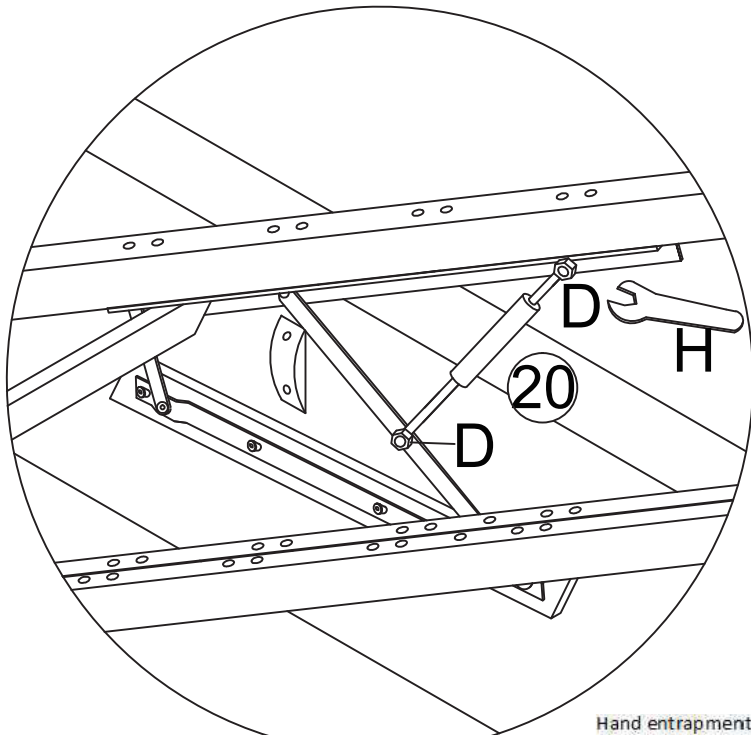
STEP 9

PARTS REQUIRED

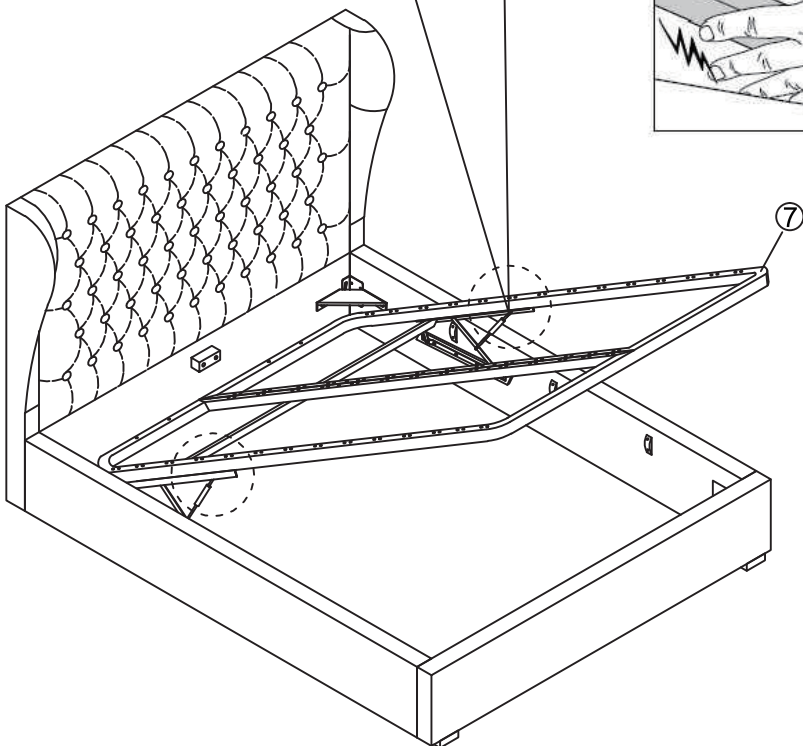
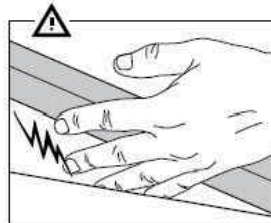
20. Pneumatic Bar x 2

D. Nut x 4

H. Spanner x 1



Hand entrapment

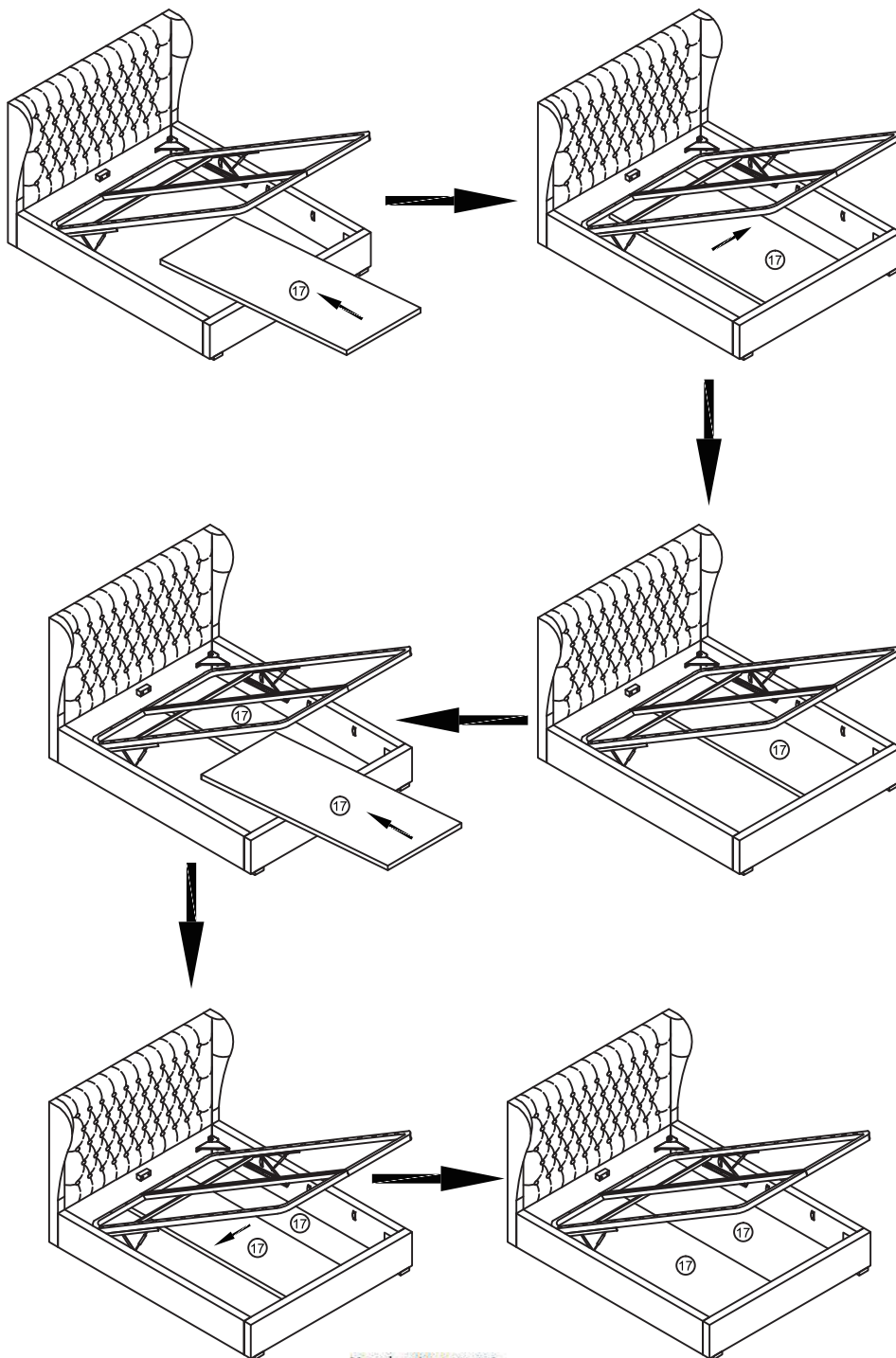


OTTOMAN BED ASSEMBLY INSTRUCTIONS

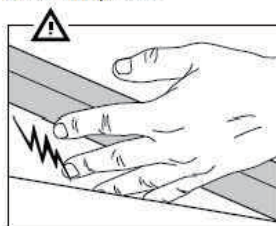
STEP 10

PARTS REQUIRED

17. Bottom Panel x 2



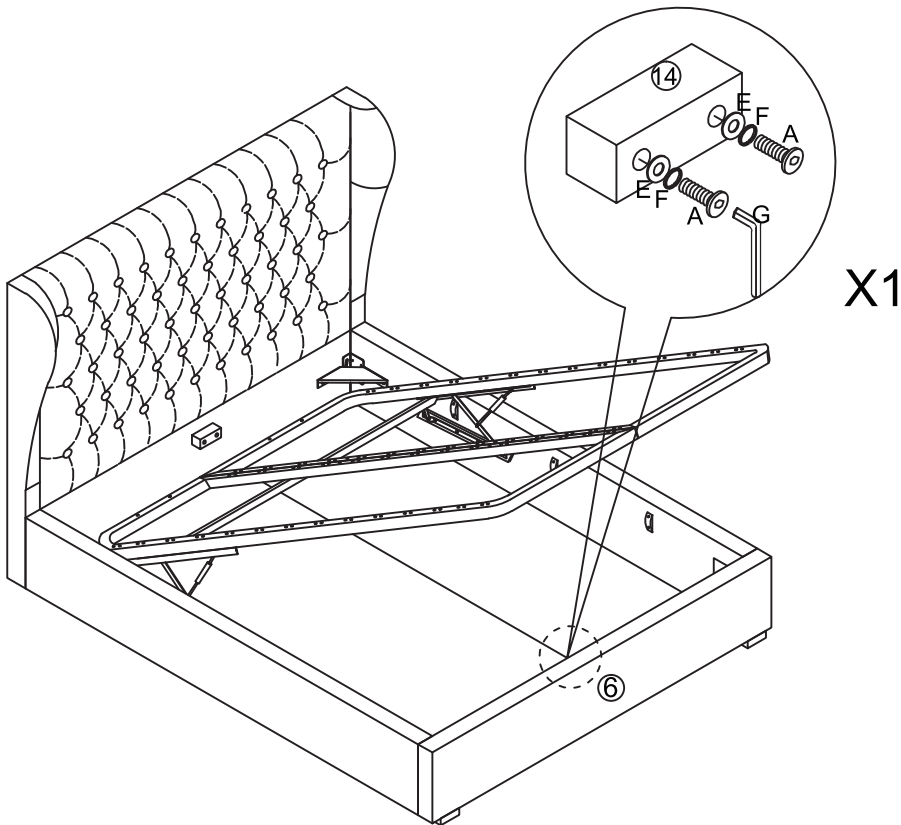
Hand entrapment



OTTOMAN BED ASSEMBLY INSTRUCTIONS

STEP 11

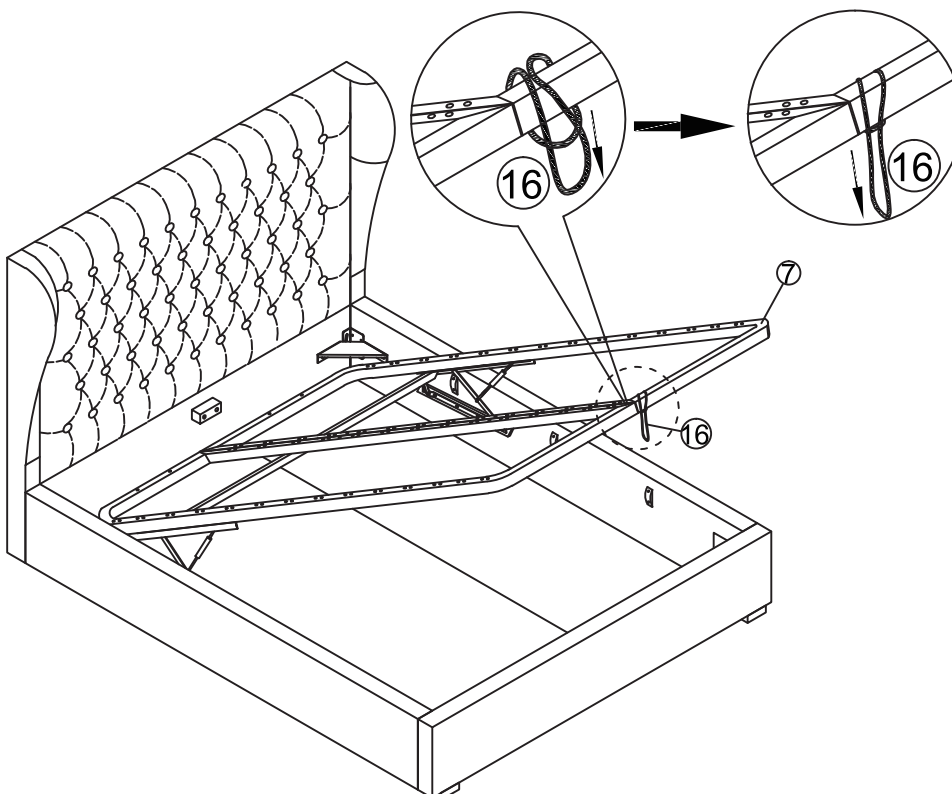
PARTS REQUIRED



- 14. Holding Blocks x 1
- A. 45mm M8 Bolt x 2
- E. Flat Washer x 2
- F. Spring Washer x 2
- G. 5mm Allen Key x 1

STEP 12

PARTS REQUIRED

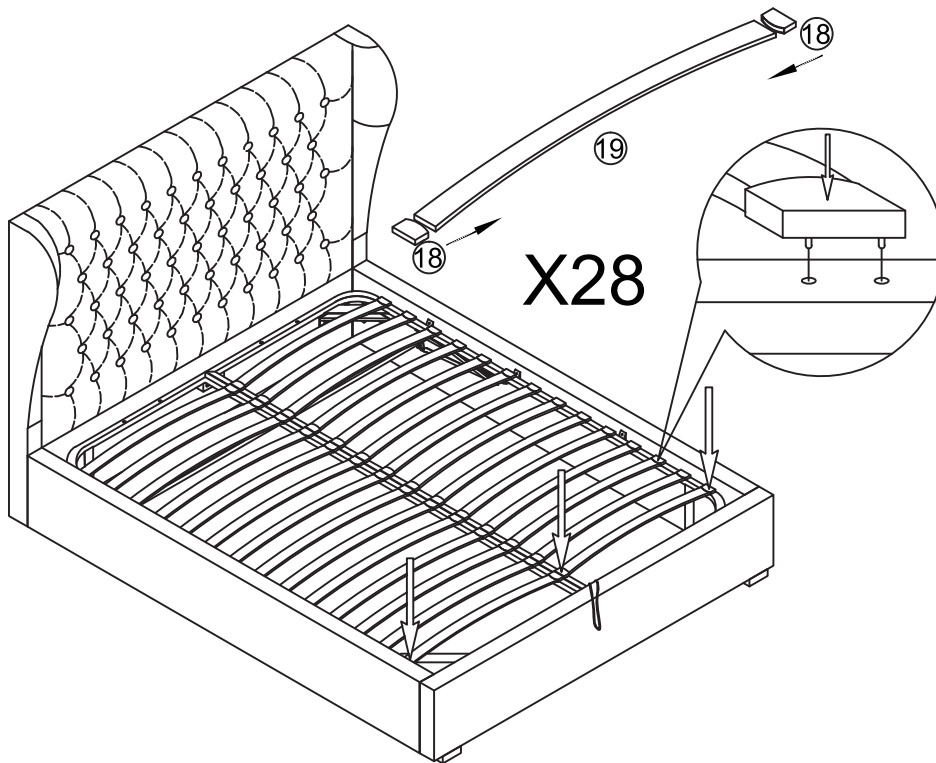


- 16. Belt x 1

OTTOMAN BED ASSEMBLY INSTRUCTIONS

STEP 13

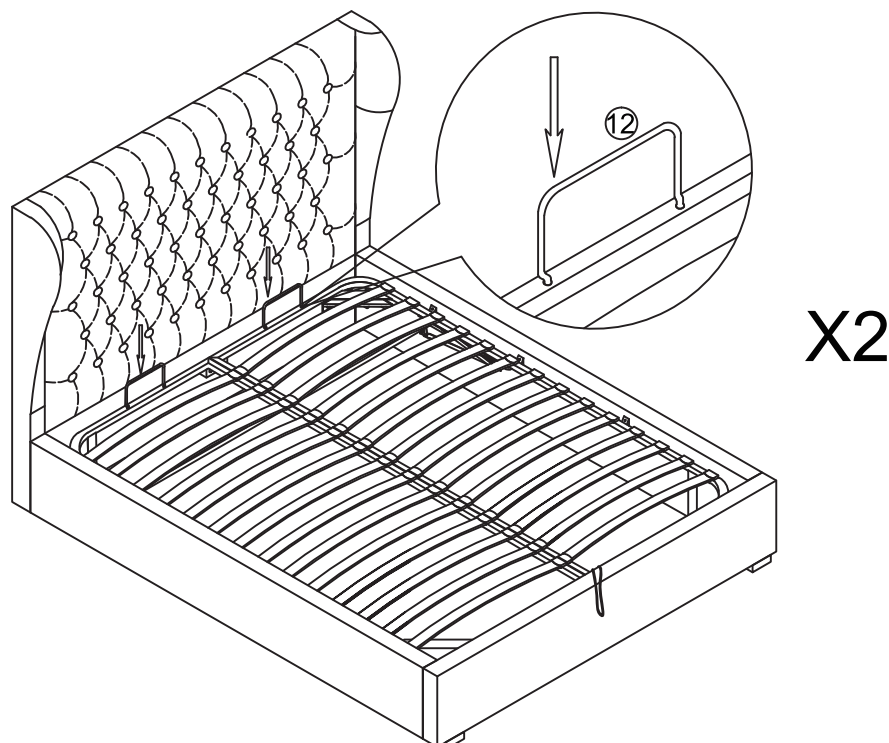
PARTS REQUIRED



- 18. Plastic Slat Caps x 56
- 19. Bent Slats x 28

STEP 14

PARTS REQUIRED

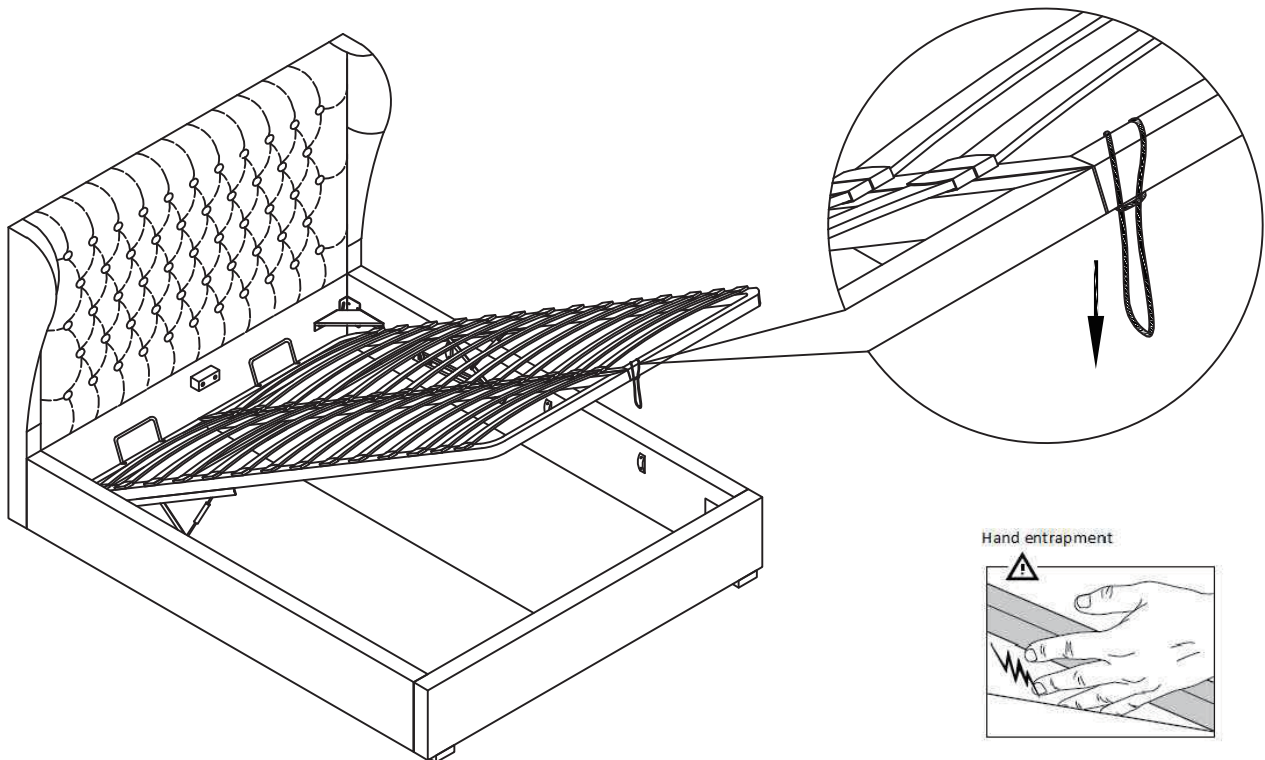


- 12. Mattress Stopper x 2

OTTOMAN BED ASSEMBLY INSTRUCTIONS

Complete Assembly

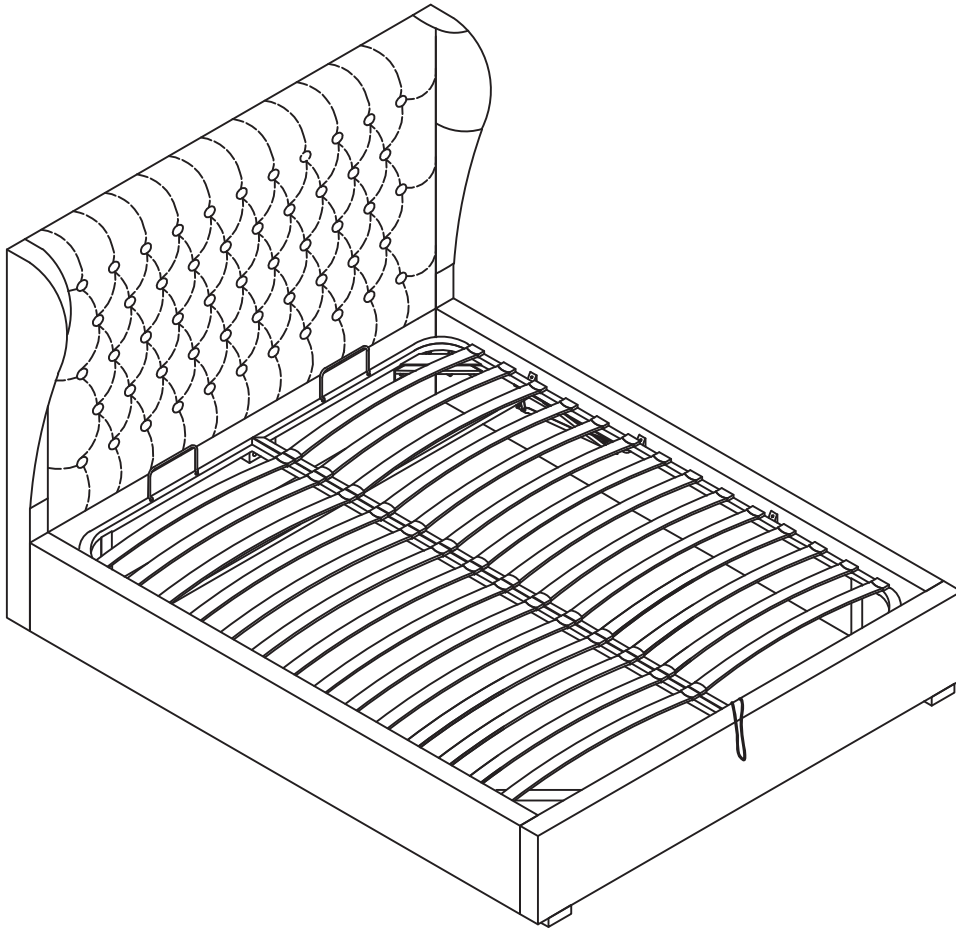
Your bed frame is now completely assembled but the ottoman will not operate correctly unless a mattress is placed on the slat frame and will not stay shut unless the mattress remains in position. To position the mattress on the slat frame, simply place the mattress on top of the slat frame whilst it is in the up (open) position.



Lift with the strap (16) and close with the strap. The strap should always be accessible. Take care not to lean over the bed when lifting, if the mattress is thin and light, the frame may rise quickly. The speed of closing will also depend on the weight of the mattress so always keep fingers well clear of the metal frame.

PLEASE NOTE - It takes a lot of force to make the initial movement of the ottoman- **THIS IS A DESIGN FEATURE OF THE PRODUCT SO THAT IT DOES NOT FALL SHUT**- and the nearer to being closed the ottoman is, the easier it is to move. When the ottoman is almost shut, it will close completely under its own weight.

OTTOMAN BED ASSEMBLY INSTRUCTIONS



Periodically check to ensure that the components are in their proper position, free from damage. Also, make sure the connectors are tight and secure.

Keep instructions for future reference

