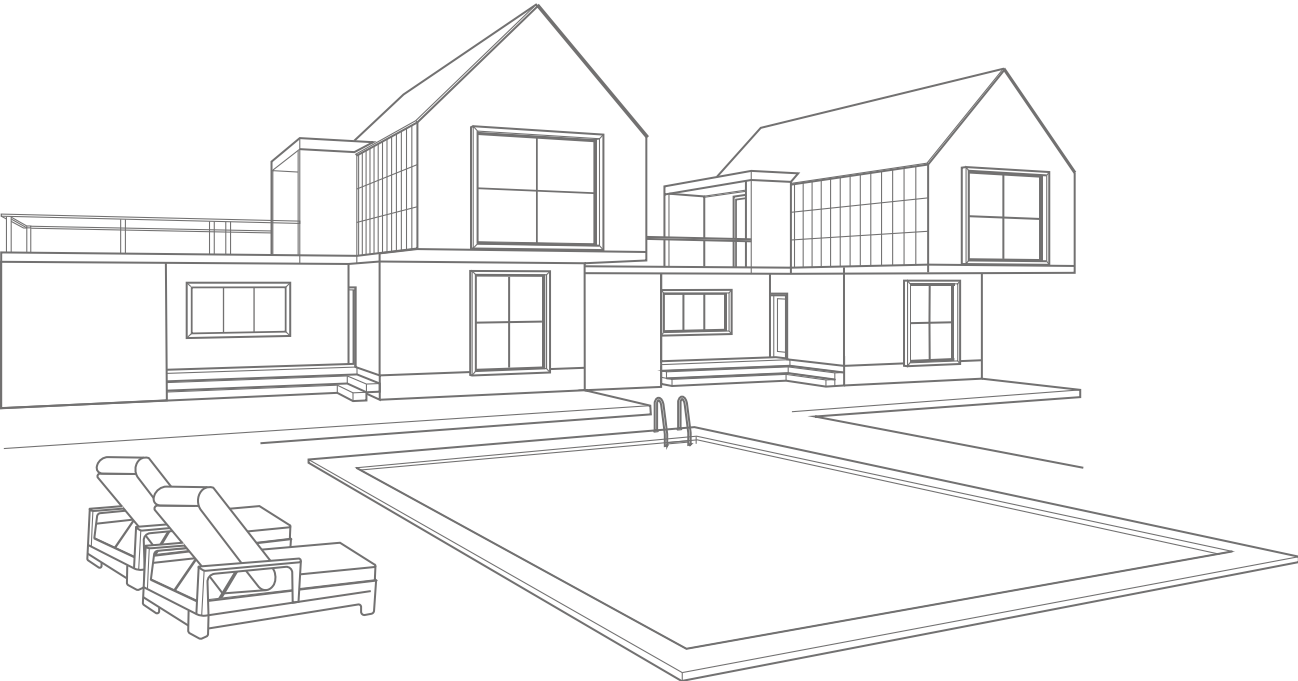


# Drawer Dresser

Product ID. Q7C4N



Scan for Support  
[support@garvee.com](mailto:support@garvee.com)

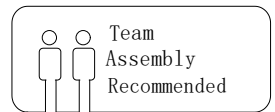
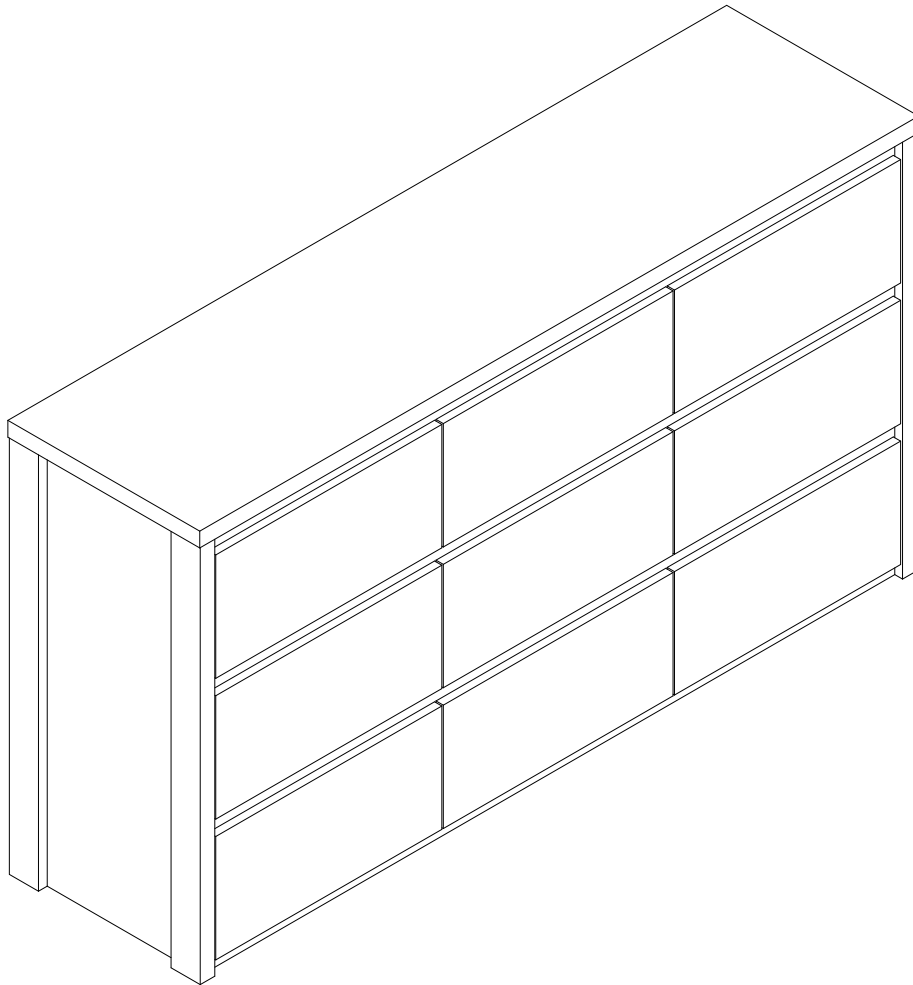


Distributed by  
**GARVEE**.com

SPU:PHK\_34KC

PO. :2025/07/10-V1

## 9 Drawer Dresser



Trouble shooting:

Missing / Wrong / Broken parts and installation issues



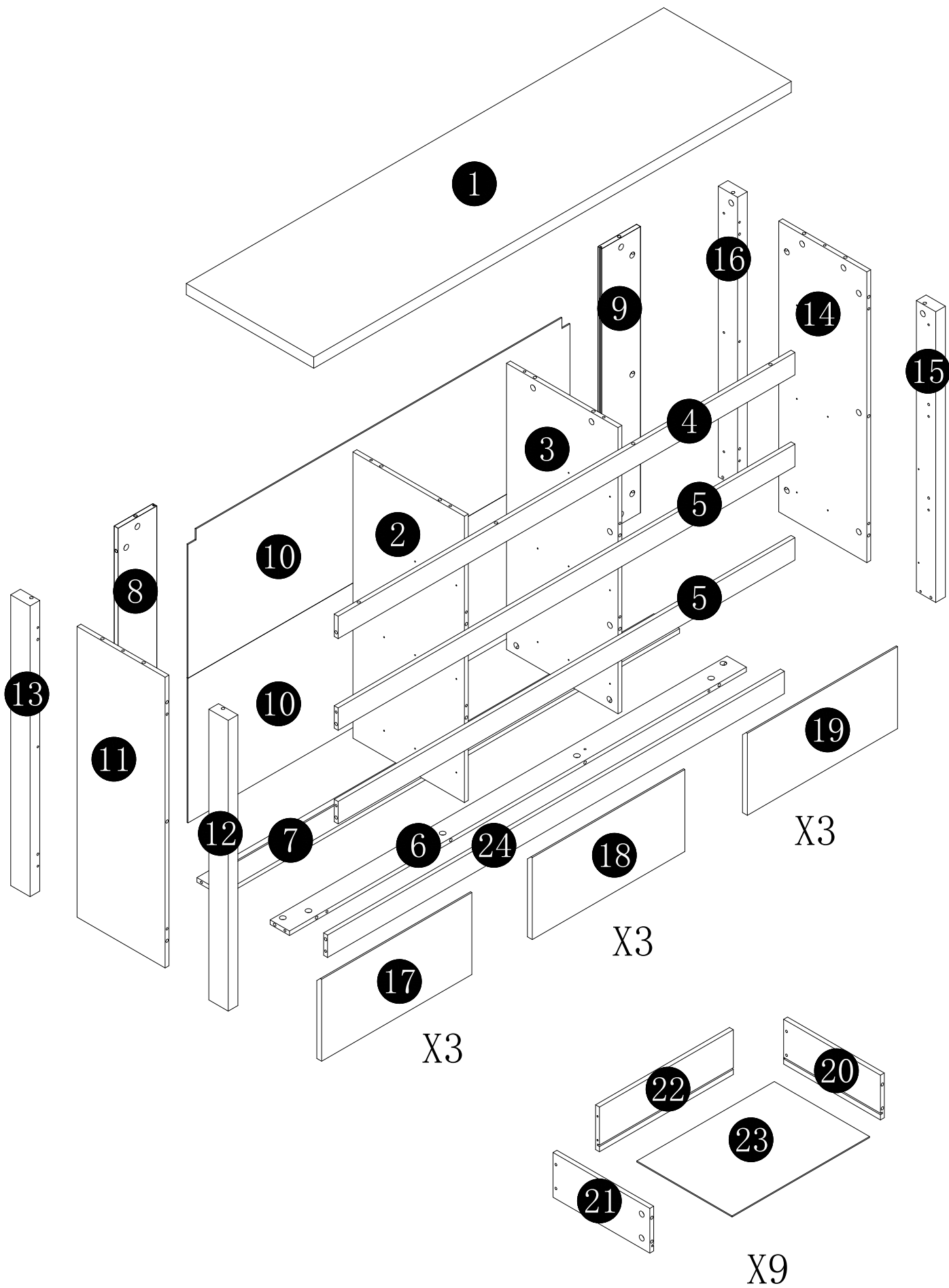
Send email with your question, pic and order NO. to  
[support@idealhouse.vip](mailto:support@idealhouse.vip)

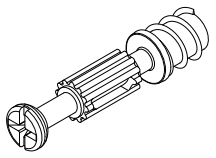
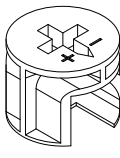
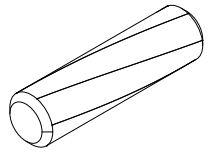
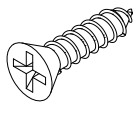
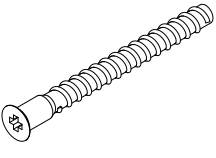
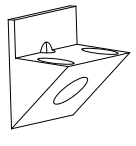
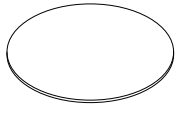
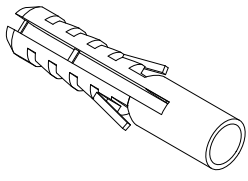
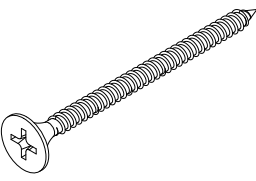
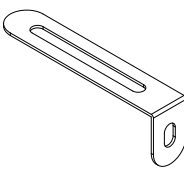
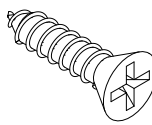
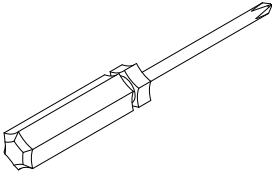
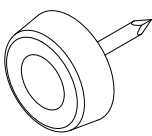
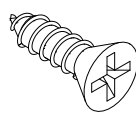
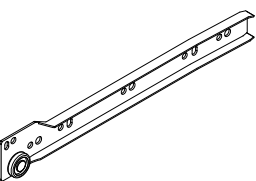
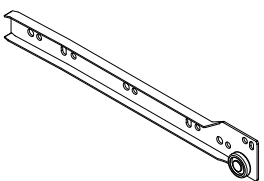
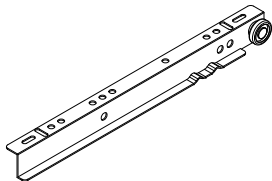
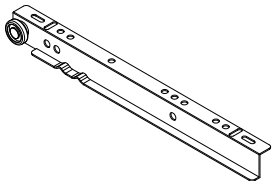


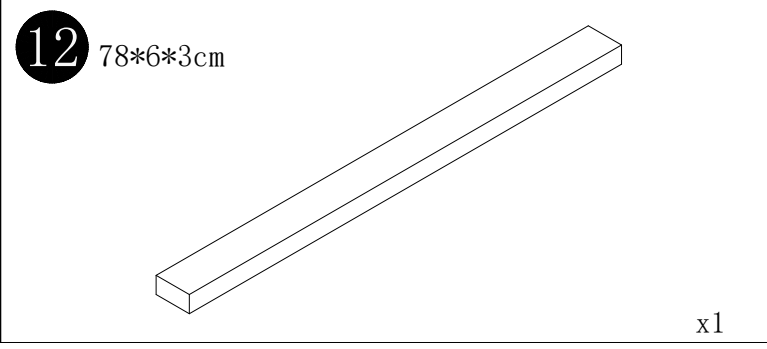
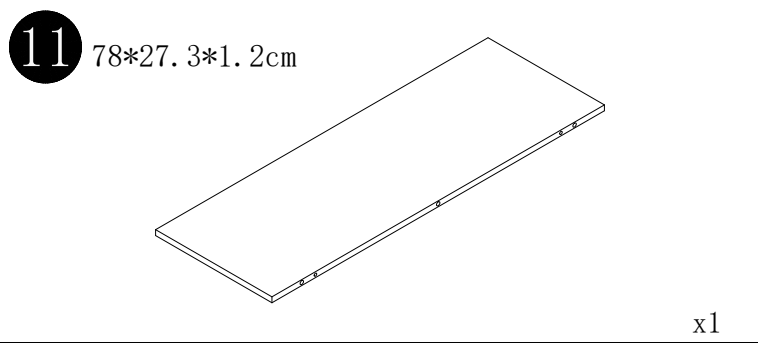
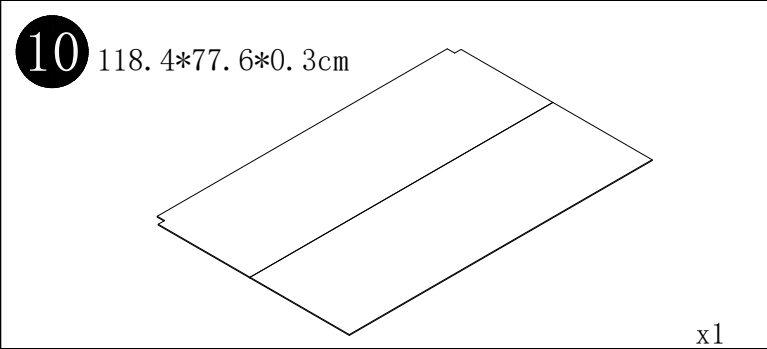
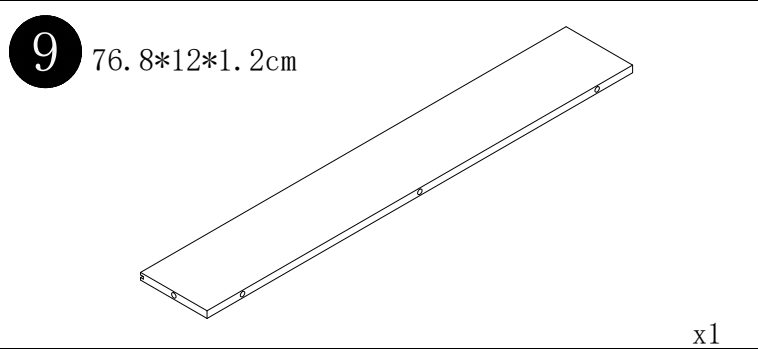
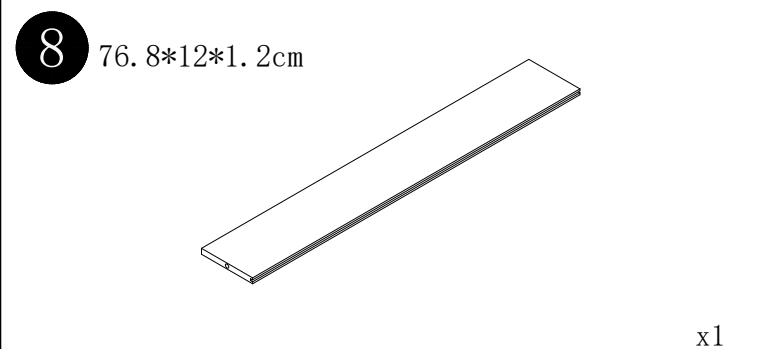
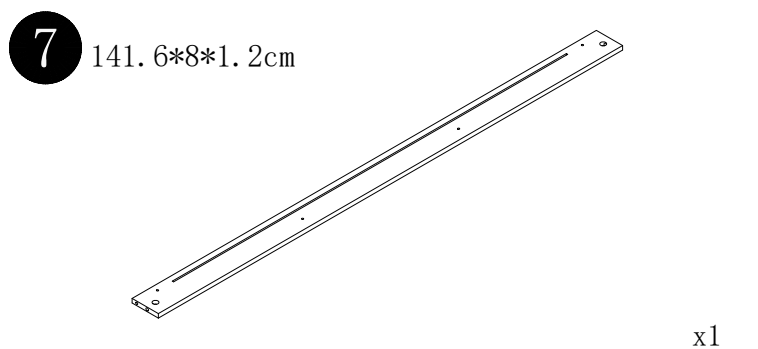
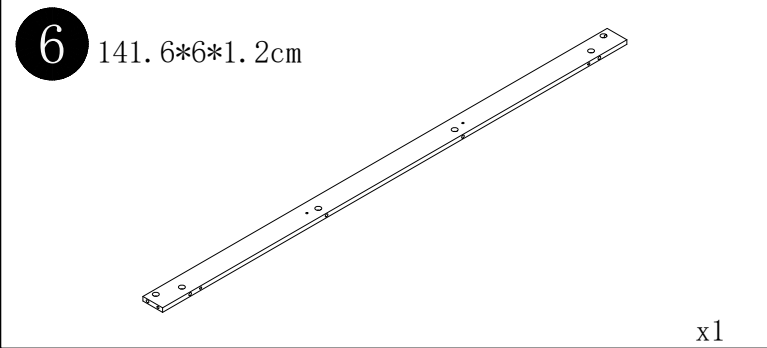
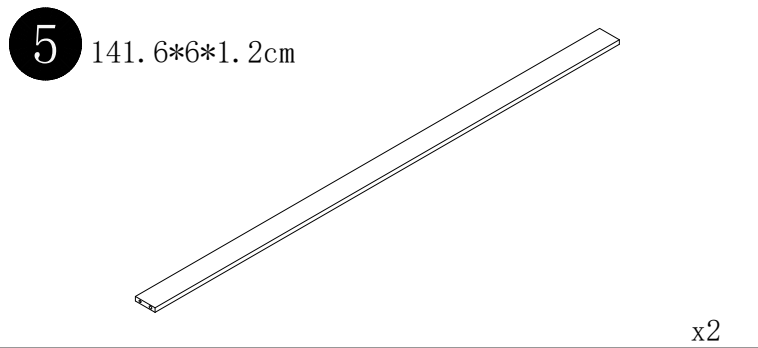
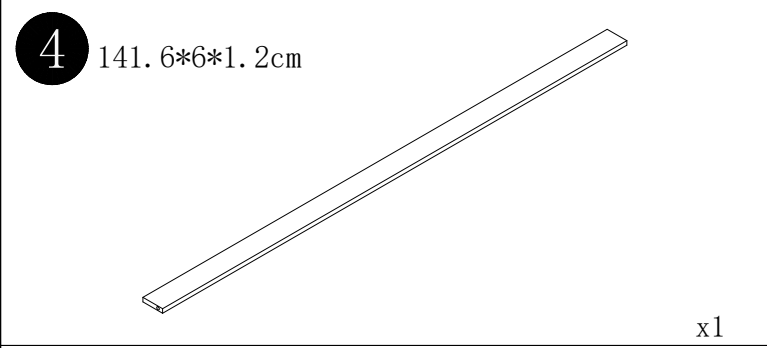
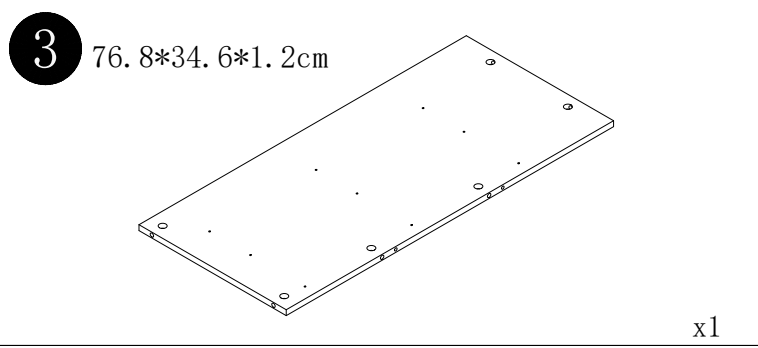
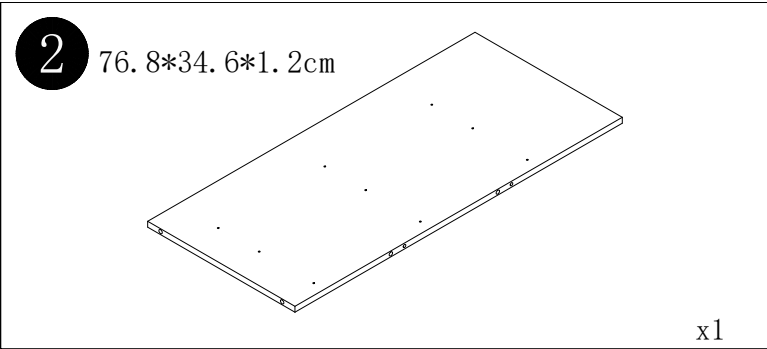
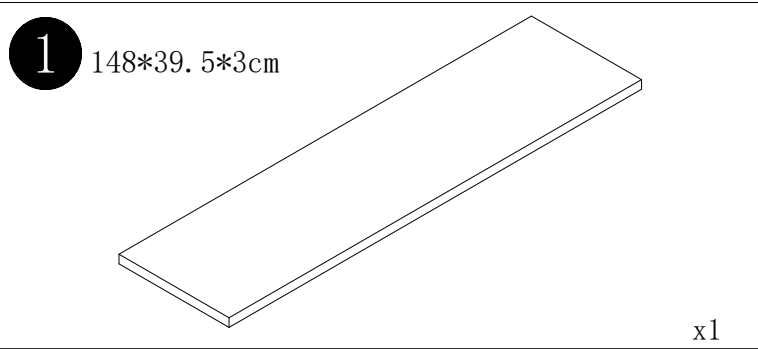
Respond within 24 hours



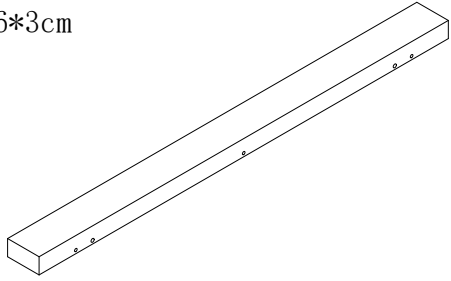
Issue resolved



<p><b>A</b> M6*25mm</p>  <p>x98+9</p>	<p><b>B</b> Ø15*10mm</p>  <p>x98+9</p>	<p><b>C</b> Ø6*30mm</p>  <p>x30+3</p>	<p><b>D</b> M3.5*14mm</p>  <p>x8+1</p>
<p><b>E</b> M5x40mm</p>  <p>x36+3</p>	<p><b>F</b></p>  <p>x8+1</p>	<p><b>G</b> Ø22*0.4</p>  <p>x98+9</p>	<p><b>H</b> M8*40mm</p>  <p>x2</p>
<p><b>I</b> M4*40mm</p>  <p>x2</p>	<p><b>J</b></p>  <p>x2</p>	<p><b>K</b> M4*14mm</p>  <p>x2</p>	<p><b>L</b></p>  <p>x1</p>
<p><b>M</b></p>  <p>x8</p>	<p><b>N</b></p> <div data-bbox="454 1030 742 1220"> <p><b>⚠ WARNING</b></p> <p>Children have died from furniture tipover. To reduce the risk of furniture tipover:</p> <ul style="list-style-type: none"> <li>- ALWAYS install Anti-tip device provided.</li> <li>- NEVER put a TV on this product.</li> <li>- NEVER allow children to stand, climb or hang on any drawers, doors, or shelves.</li> <li>- NEVER open more than one drawer at a time.</li> <li>- Place heaviest items in the lowest drawers.</li> </ul> <p>This is a permanent label. Do not remove!</p> </div> <p>x1</p>	<p><b>O</b> M3.5*10mm</p>  <p>x108+10</p>	
<p><b>CL</b> 300mm</p>  <p>x9</p>	<p><b>CR</b> 300mm</p>  <p>x9</p>	<p><b>DL</b> 300mm</p>  <p>x9</p>	<p><b>DR</b> 300mm</p>  <p>x9</p>

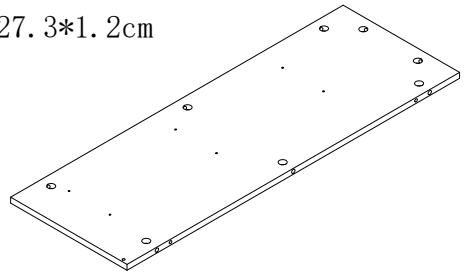


13 78\*6\*3cm



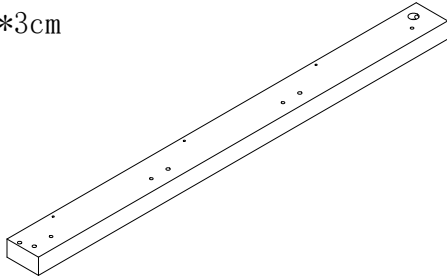
x1

14 78\*27.3\*1.2cm



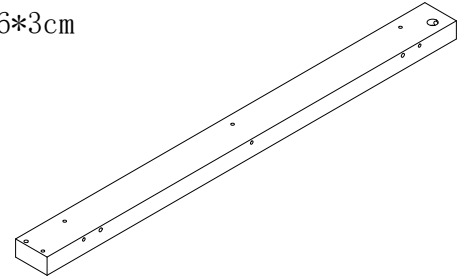
x1

15 78\*6\*3cm



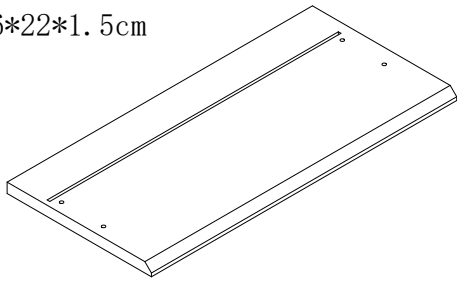
x1

16 78\*6\*3cm



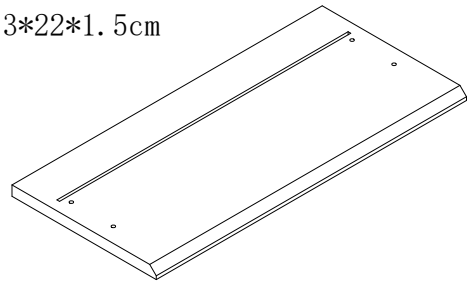
x1

17 46.6\*22\*1.5cm



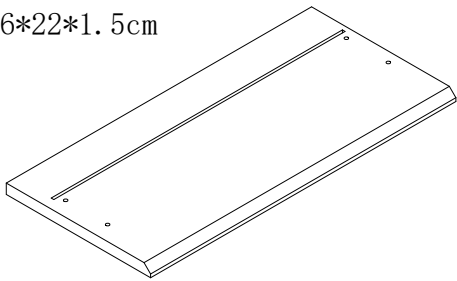
x3

18 47.3\*22\*1.5cm



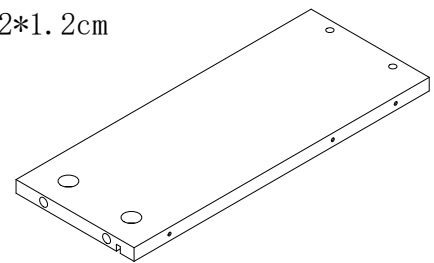
x3

19 46.6\*22\*1.5cm



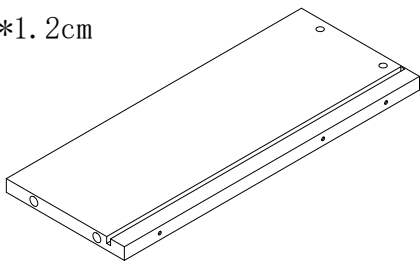
x3

20 30\*12\*1.2cm



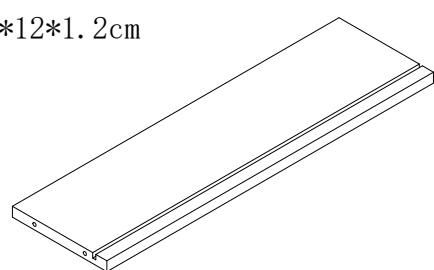
x9

21 30\*12\*1.2cm



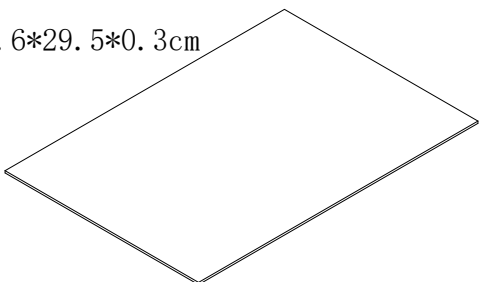
x9

22 41.5\*12\*1.2cm



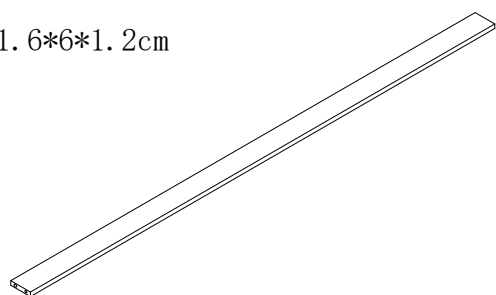
x9

23 42.6\*29.5\*0.3cm



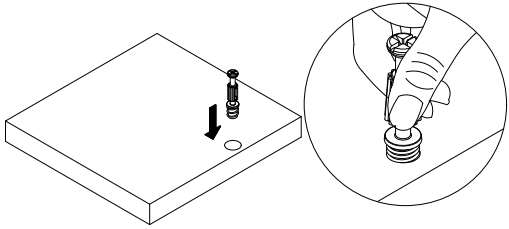
x9

24 141.6\*6\*1.2cm

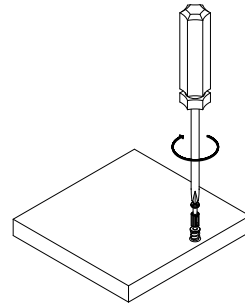


x1

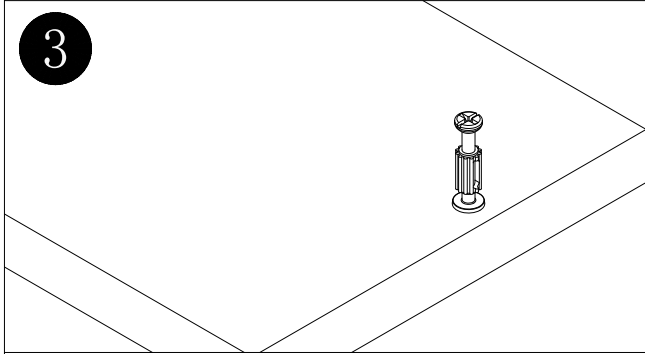
1



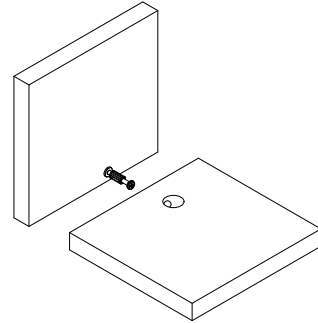
2



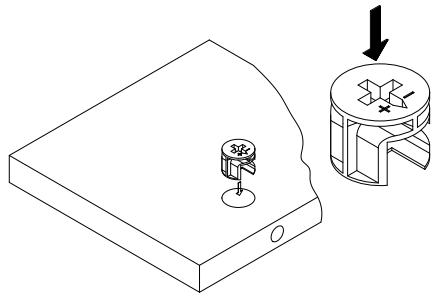
3



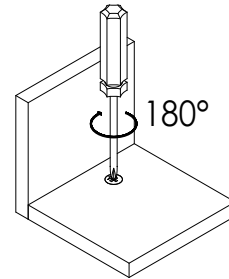
4



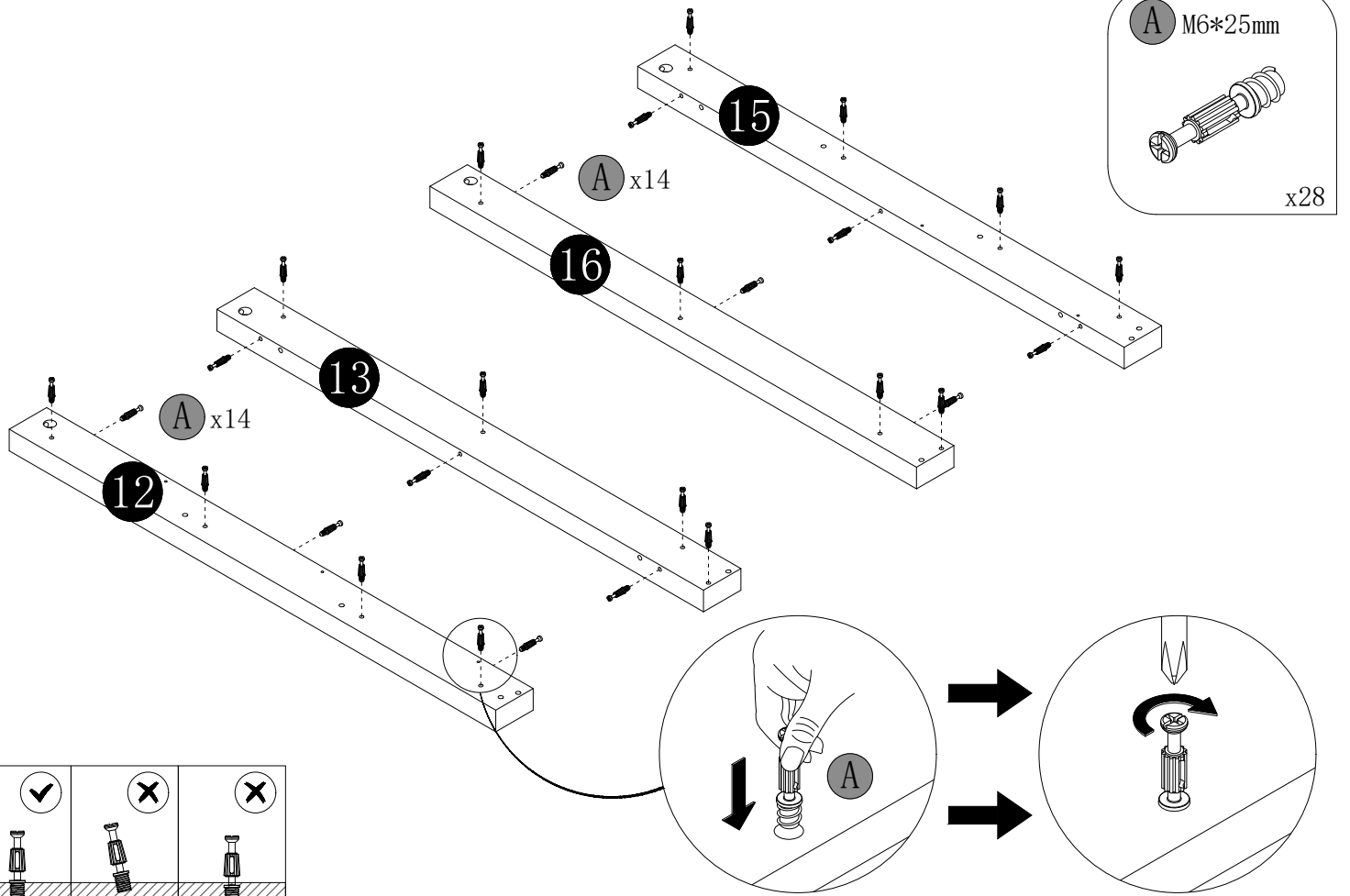
5



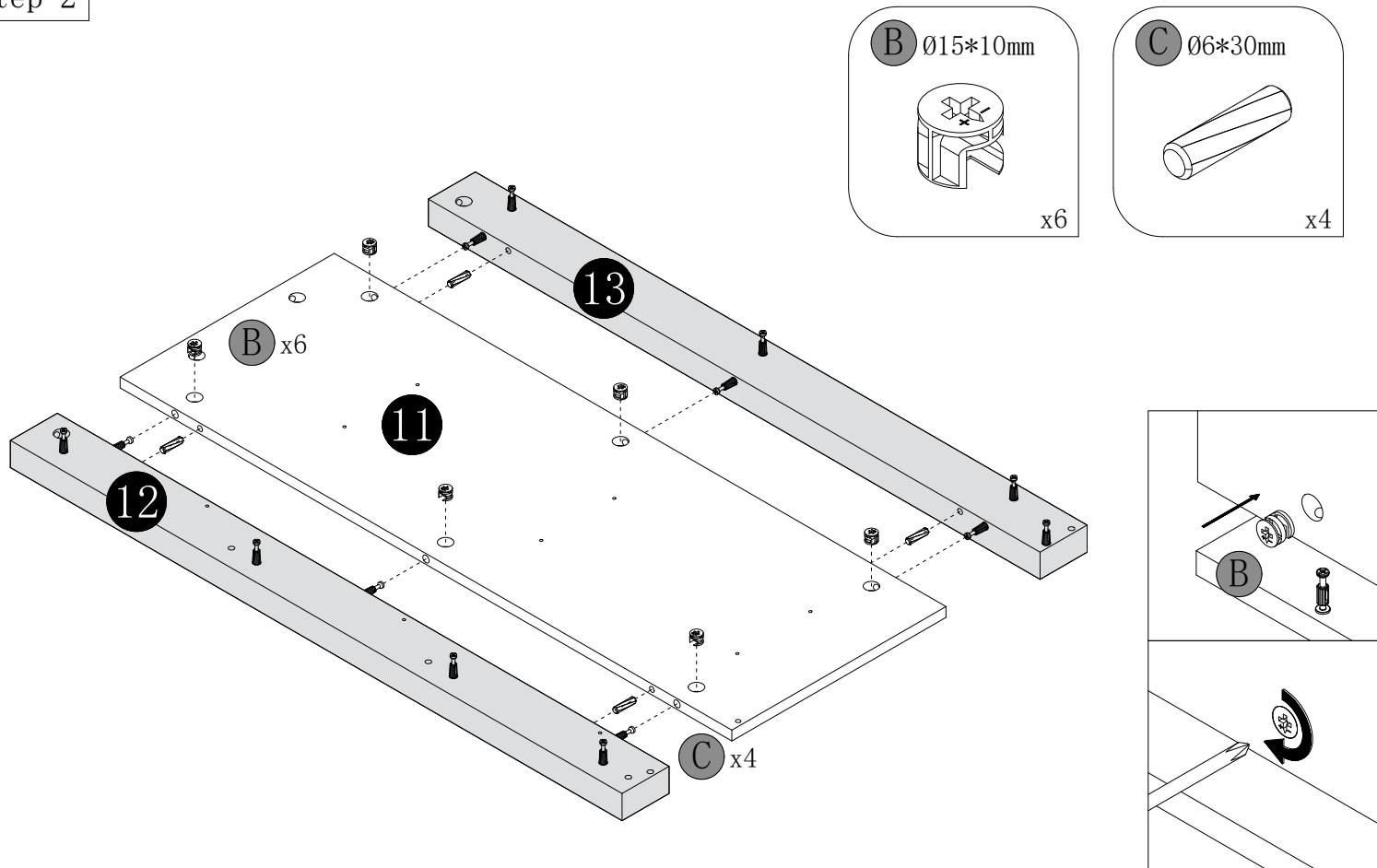
6



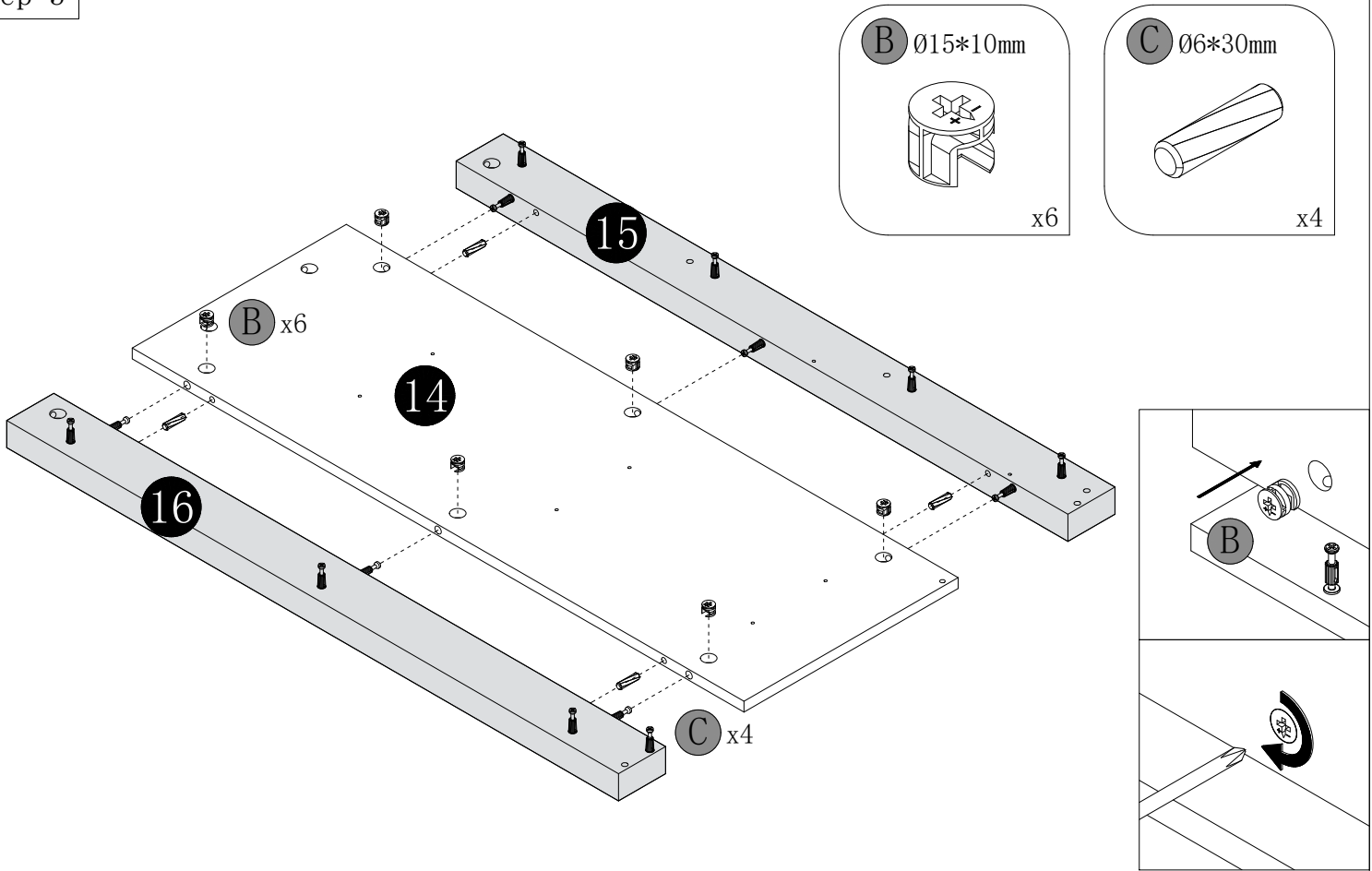
Step 1



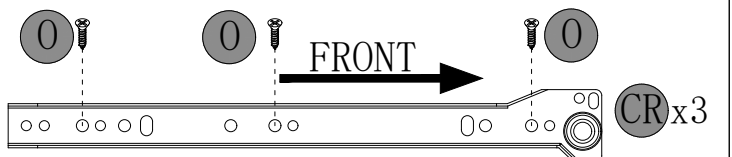
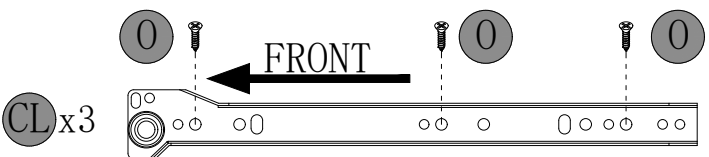
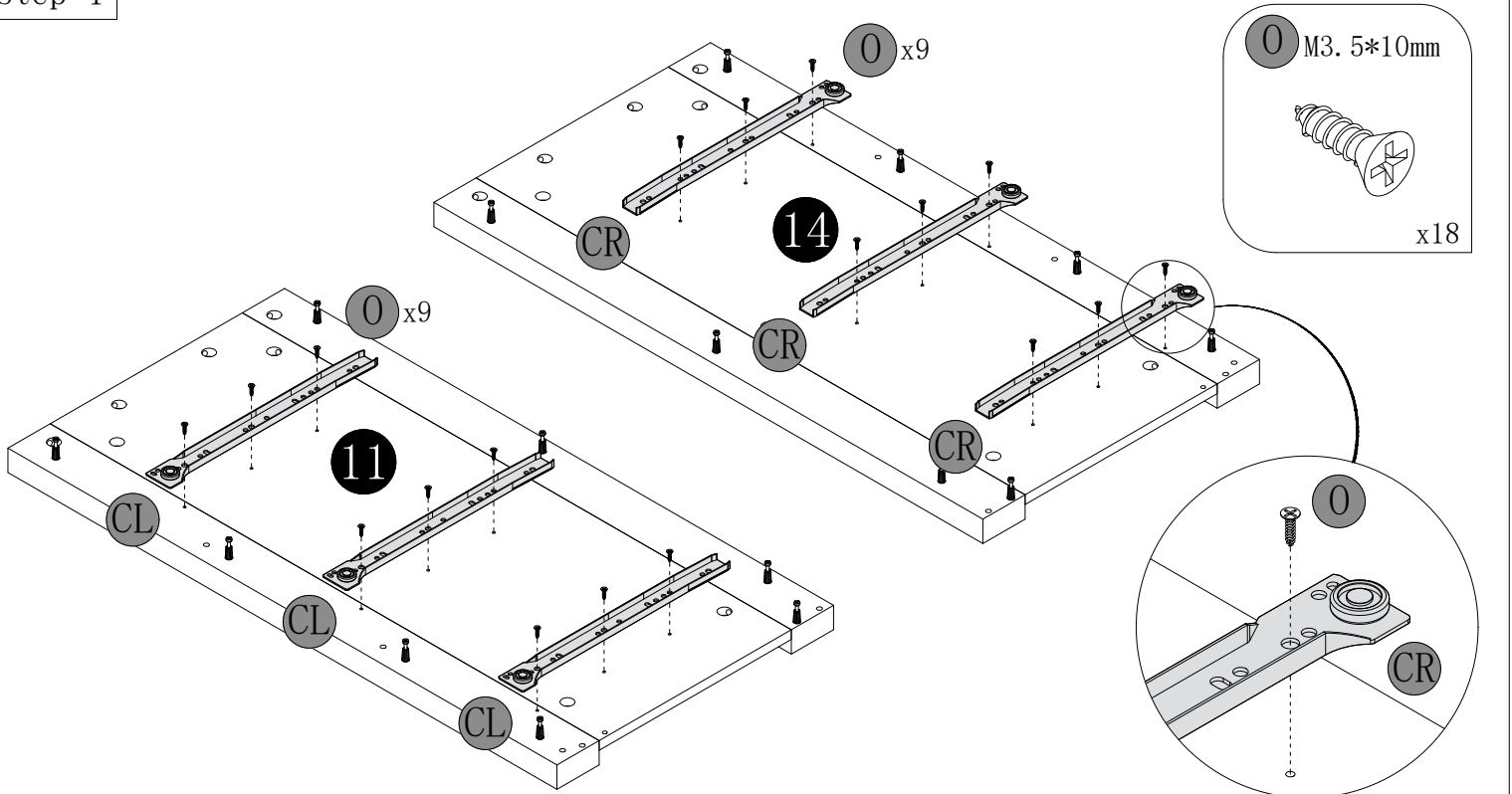
Step 2



Step 3

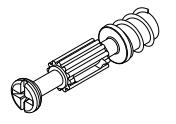


Step 4

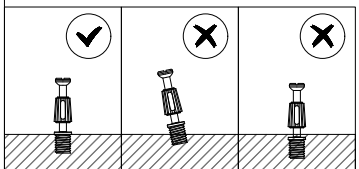
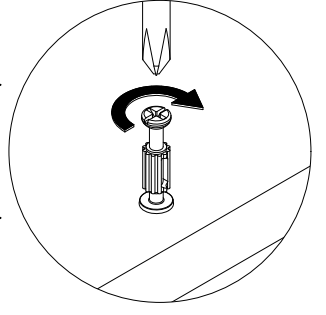
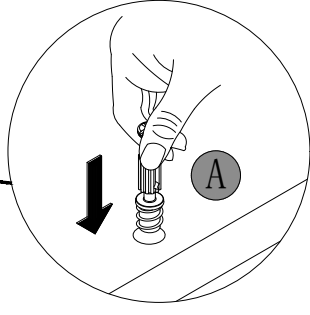
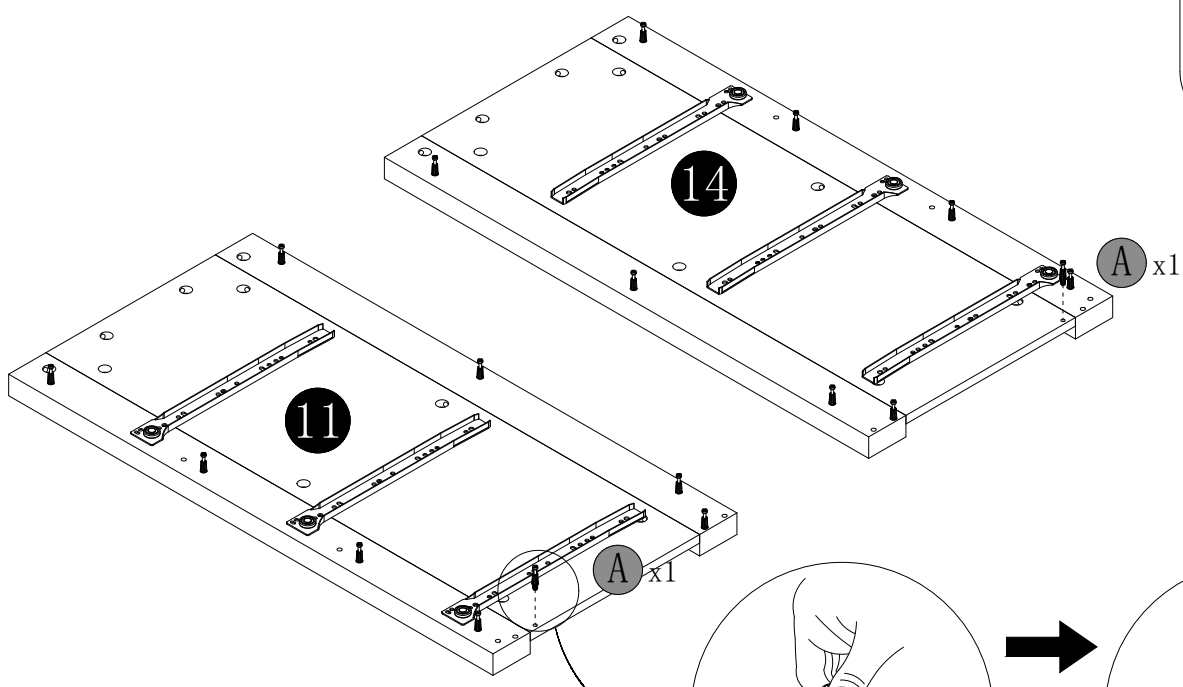


Step 5

A M6\*25mm

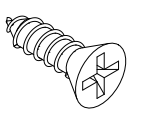


x2

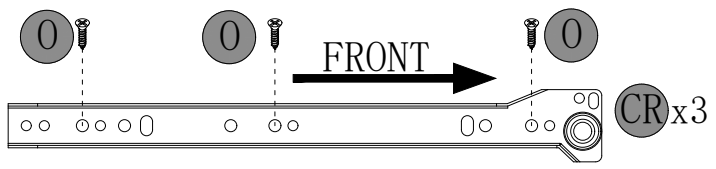
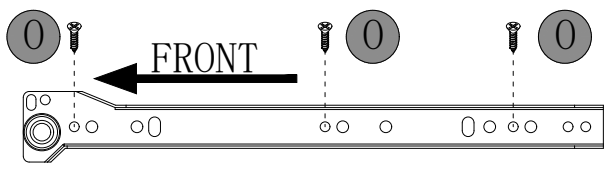
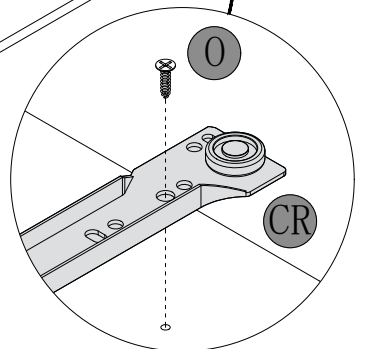
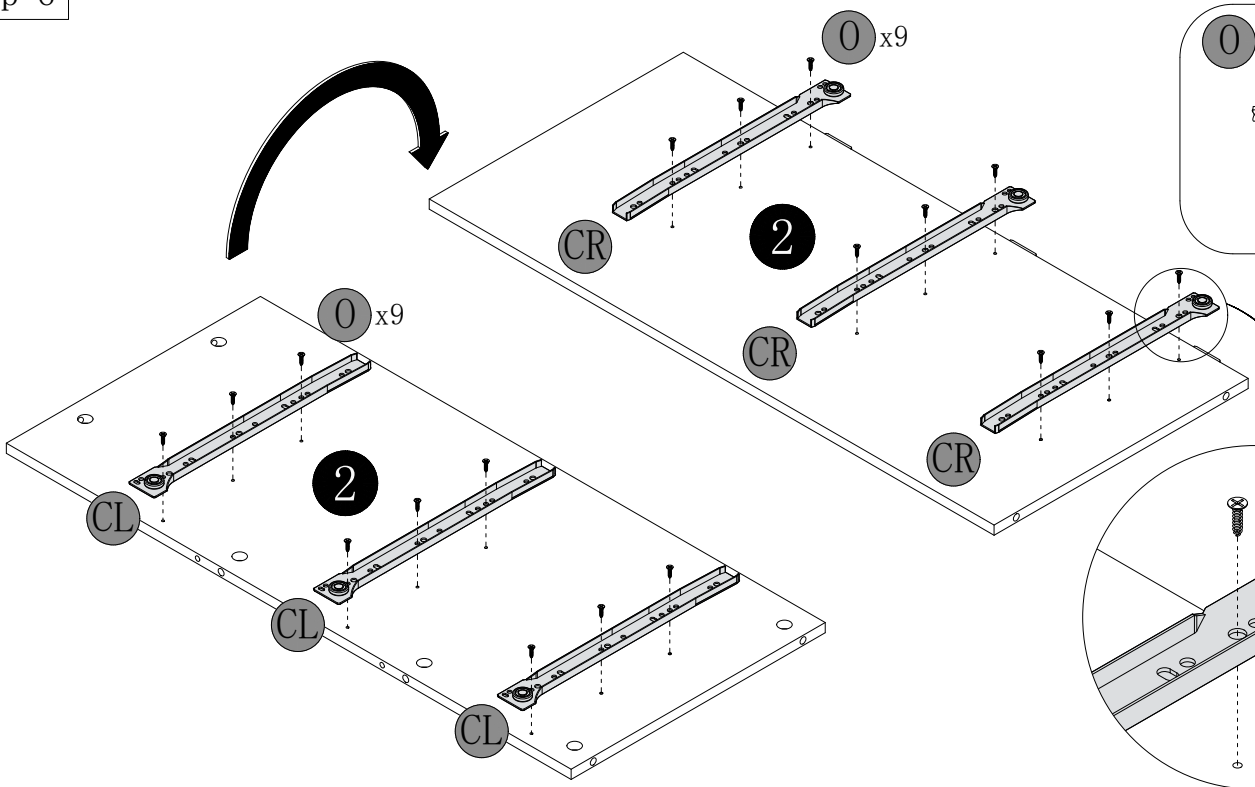


Step 6

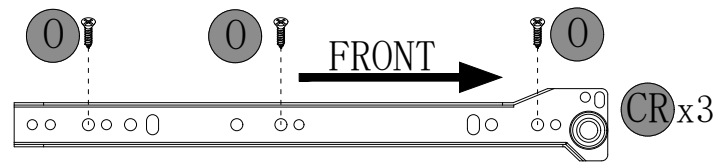
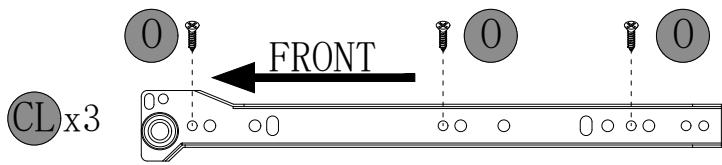
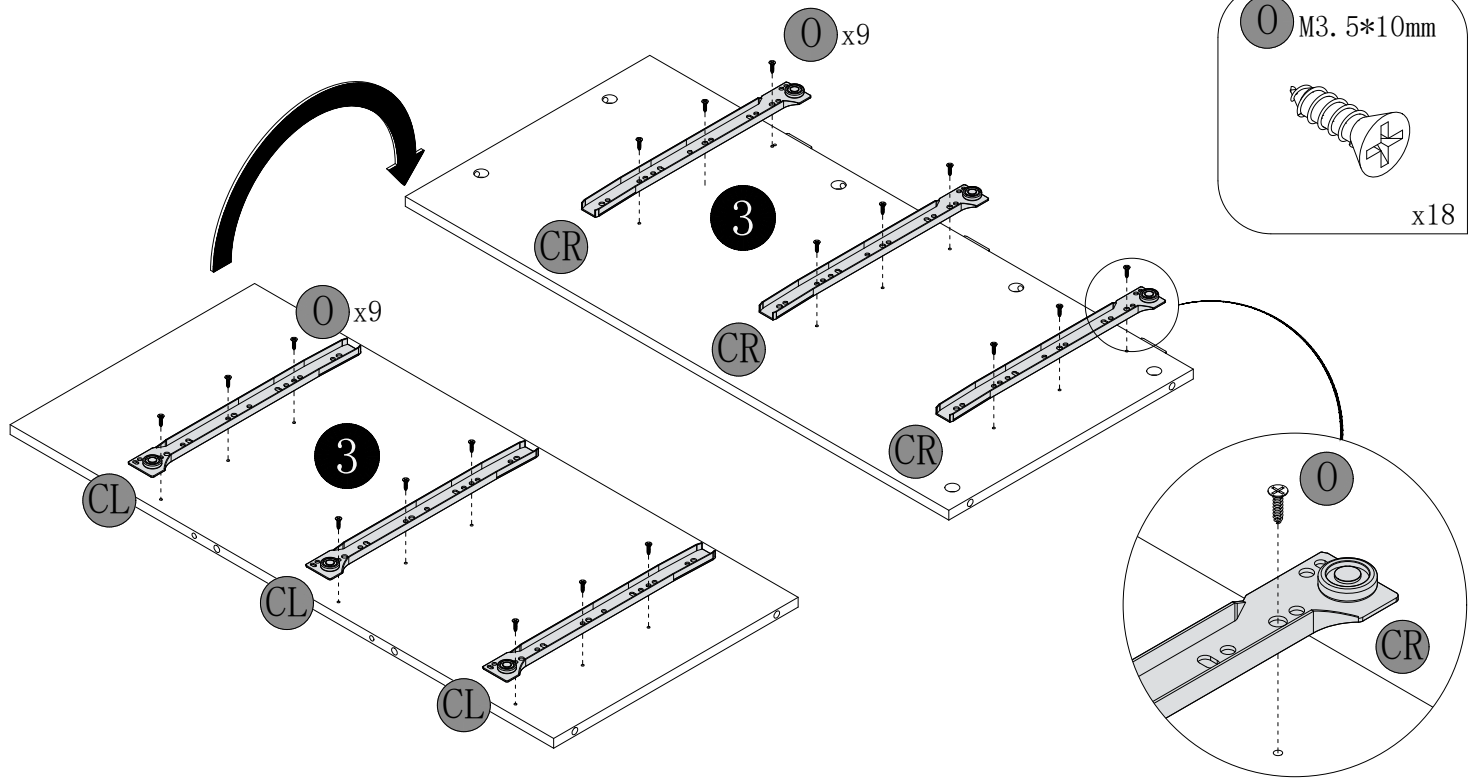
O M3.5\*10mm



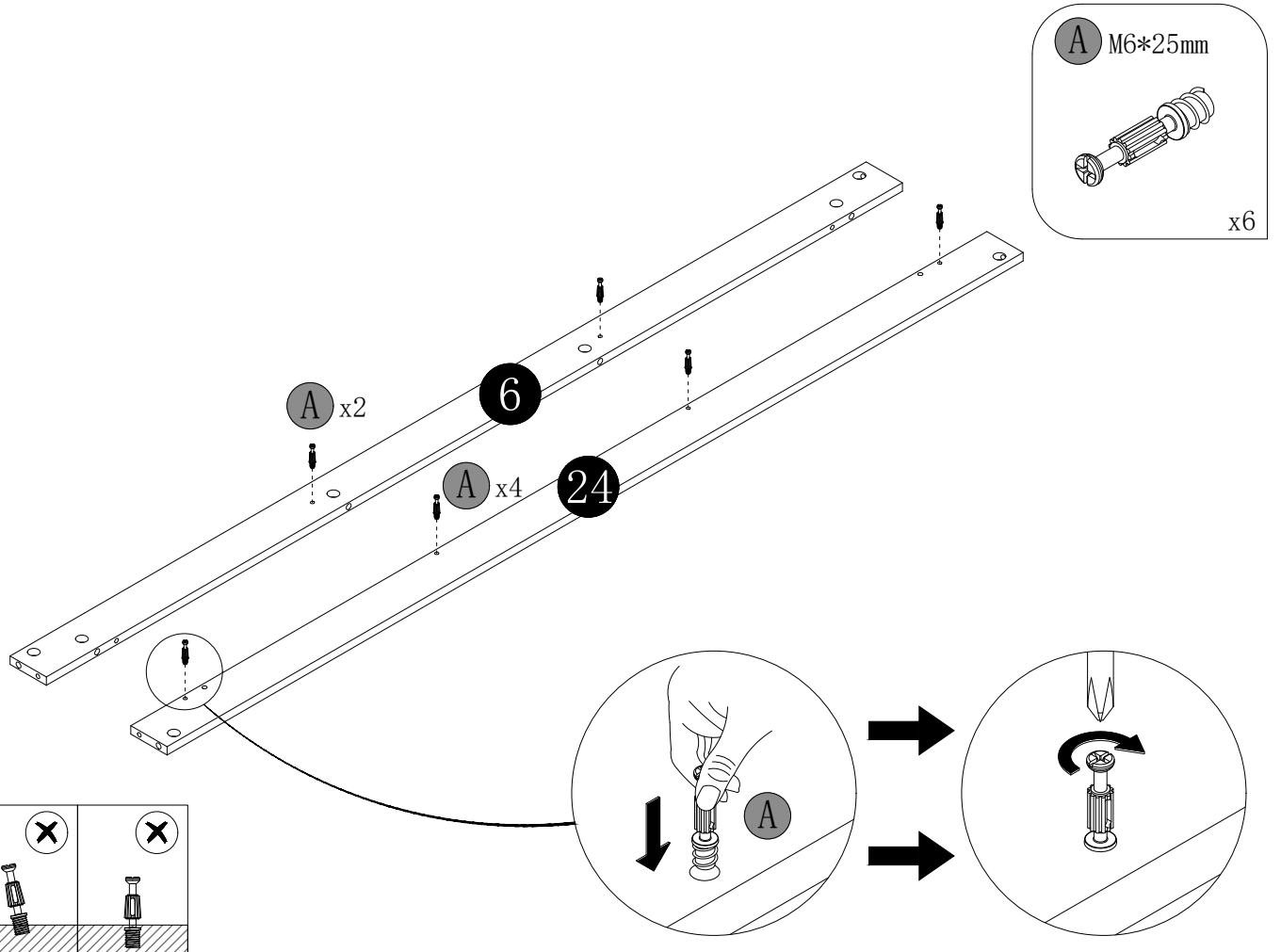
x18



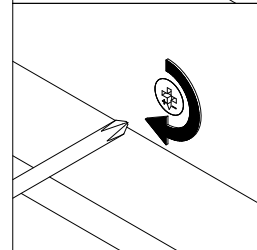
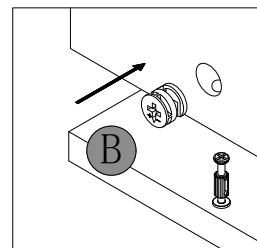
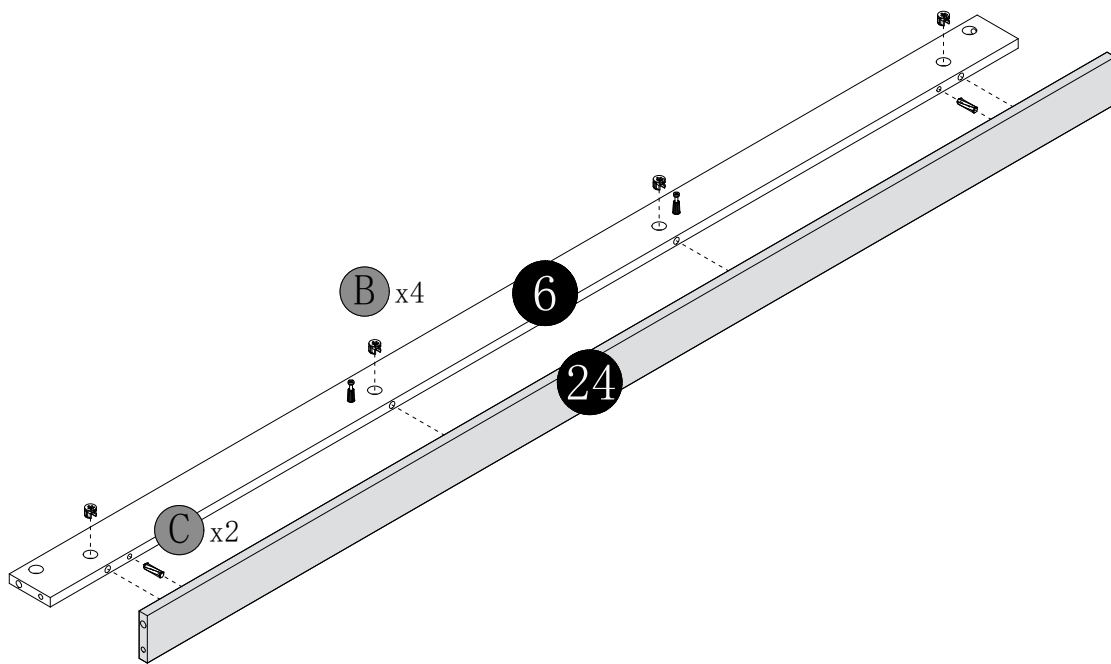
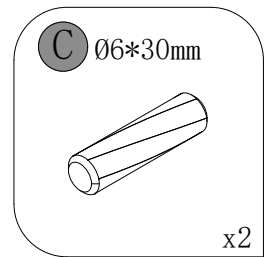
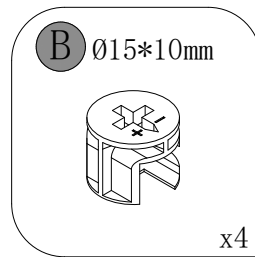
Step 7



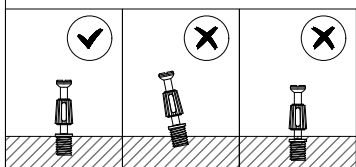
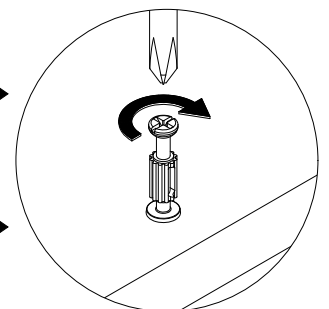
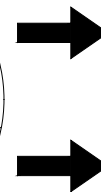
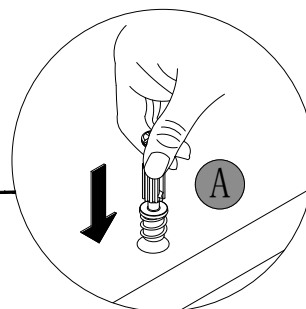
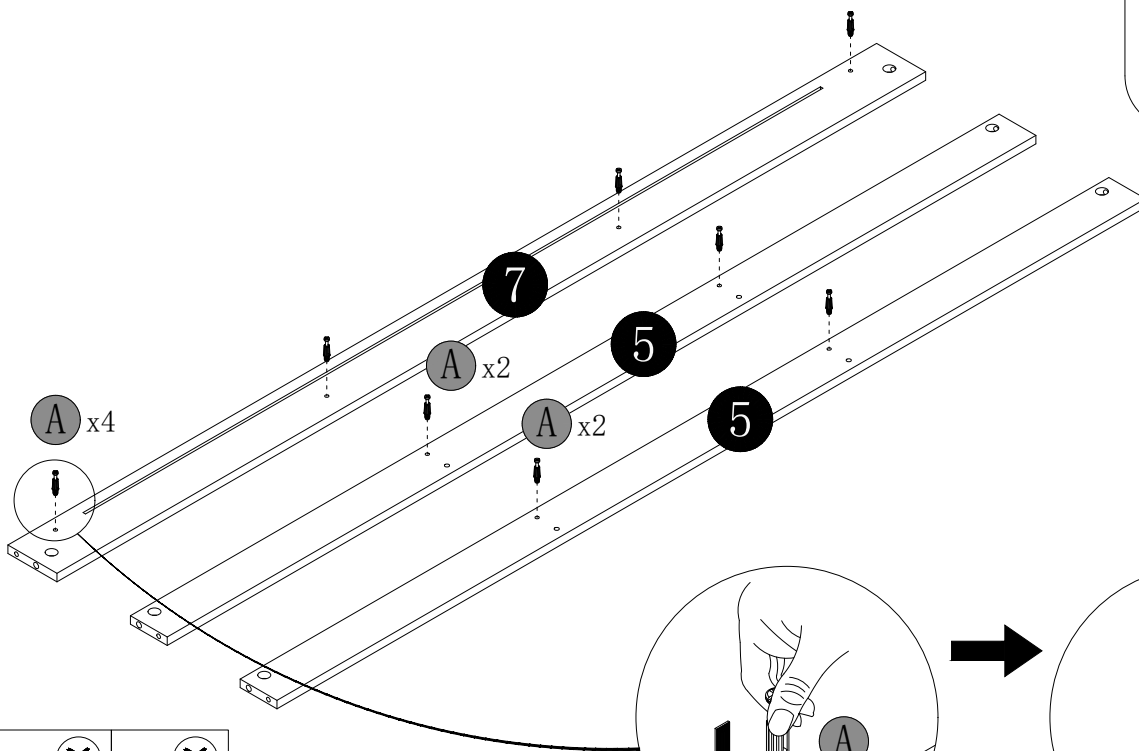
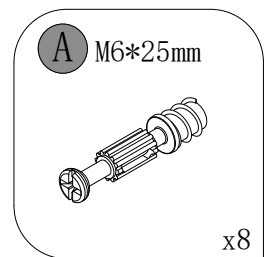
Step 8



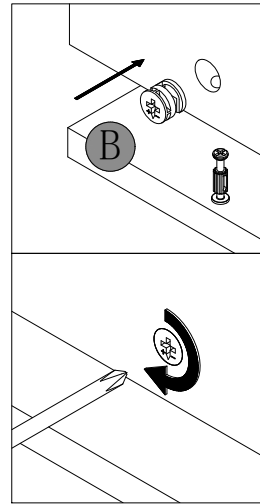
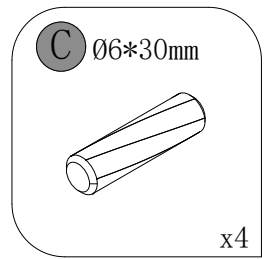
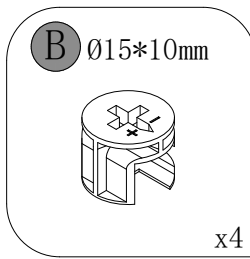
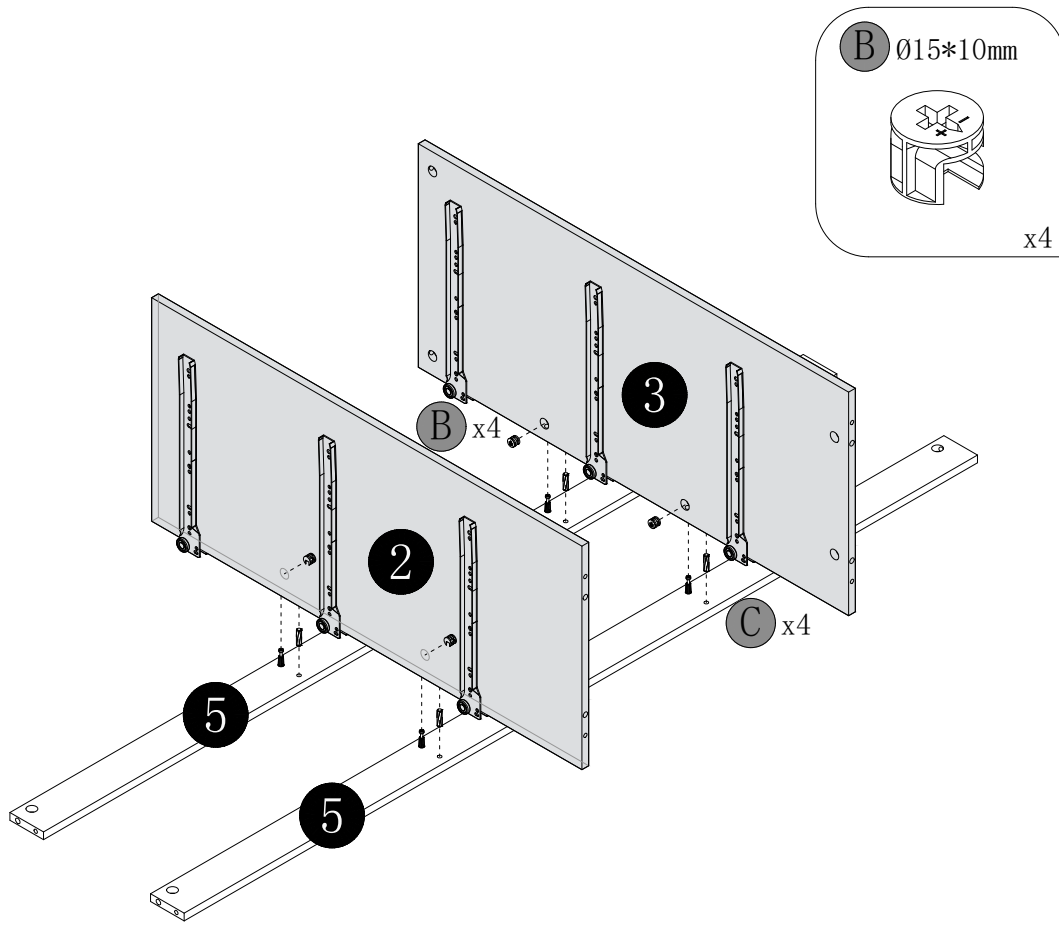
Step 9



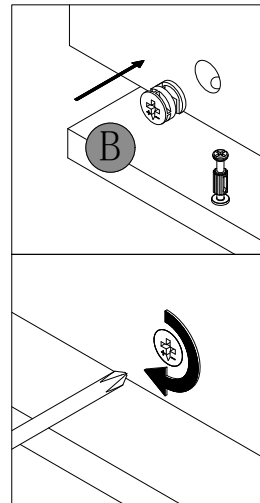
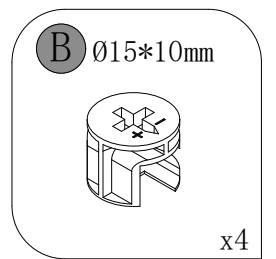
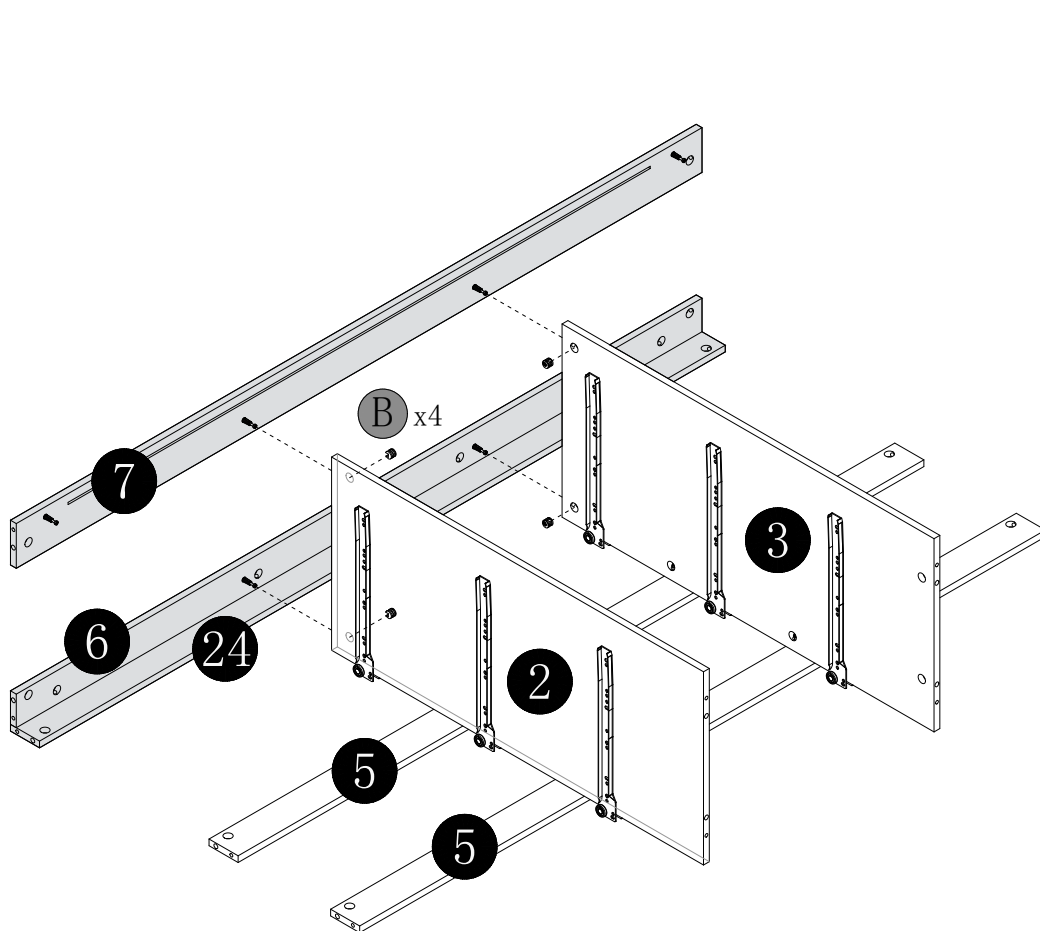
Step 10



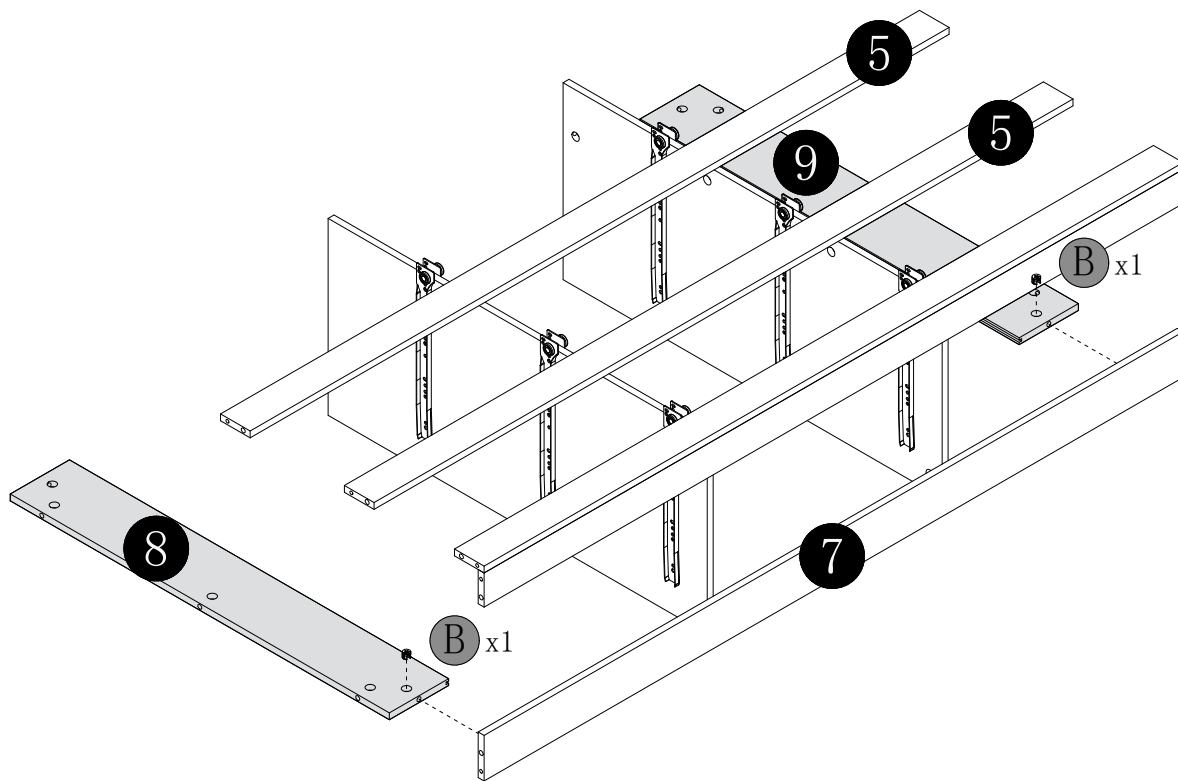
Step 11



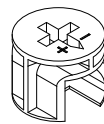
Step 12



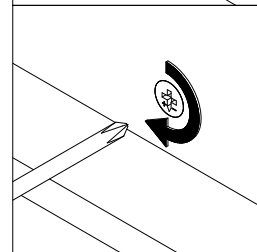
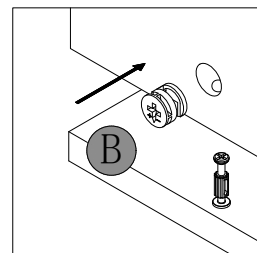
Step 13



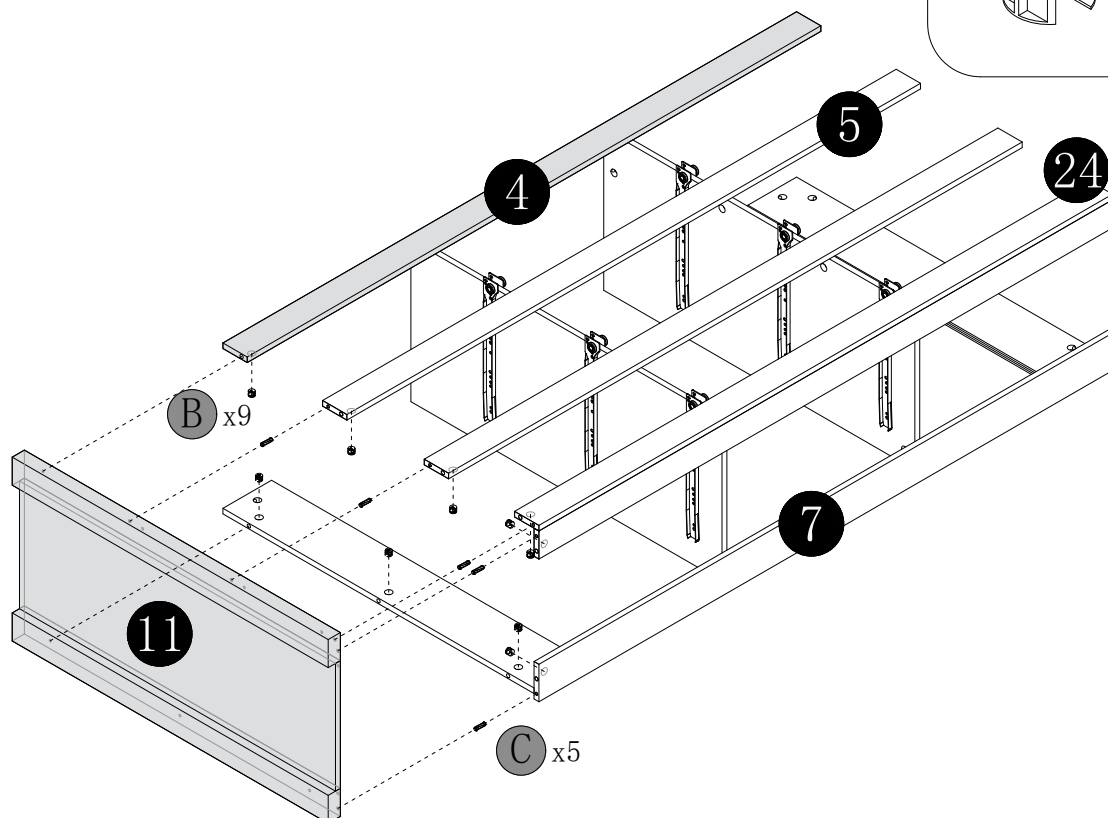
B Ø15\*10mm



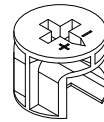
x2



Step 14

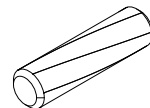


B Ø15\*10mm

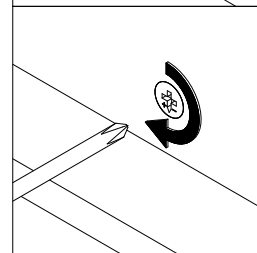
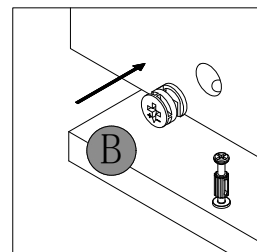


x9

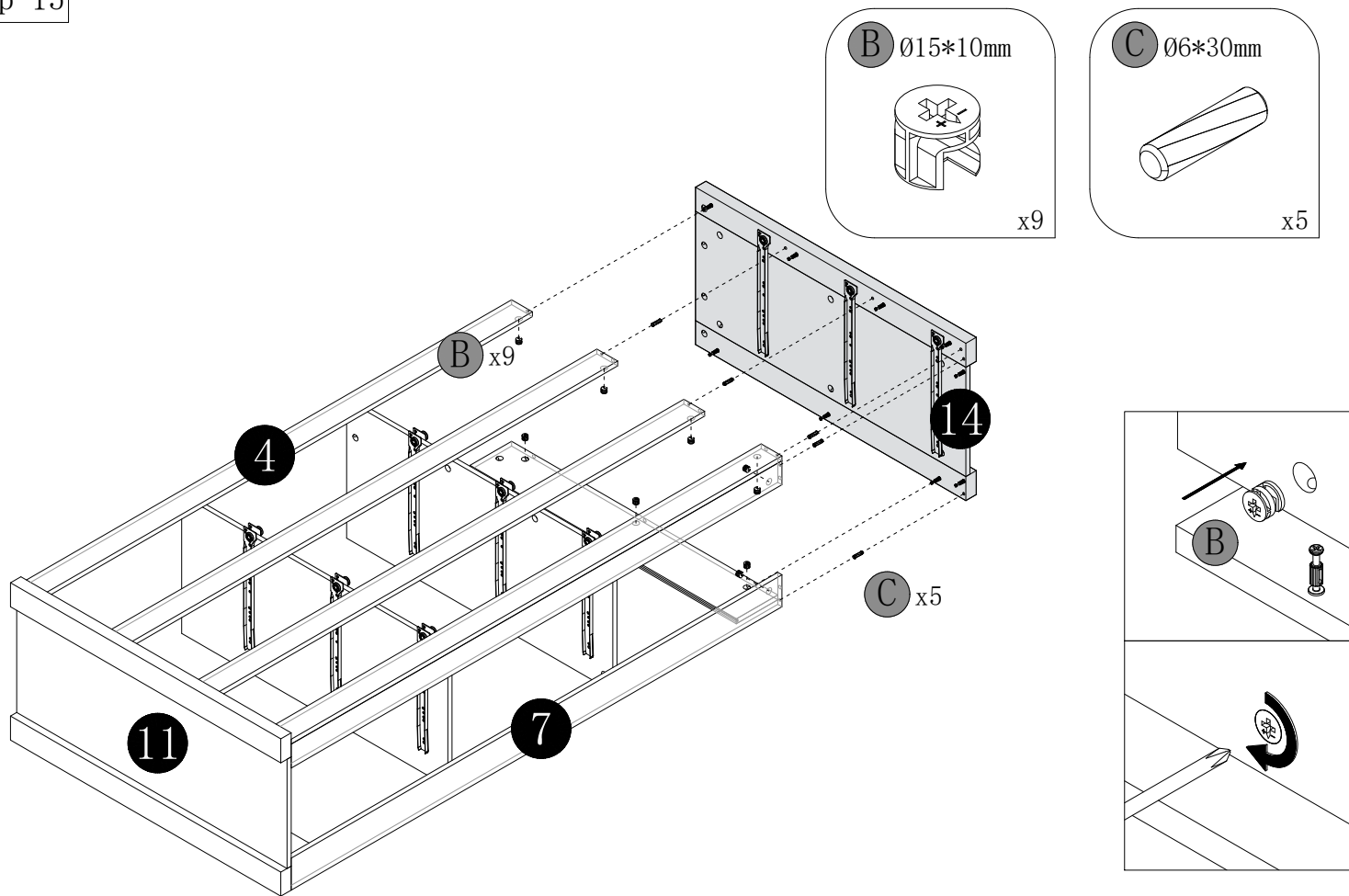
C Ø6\*30mm



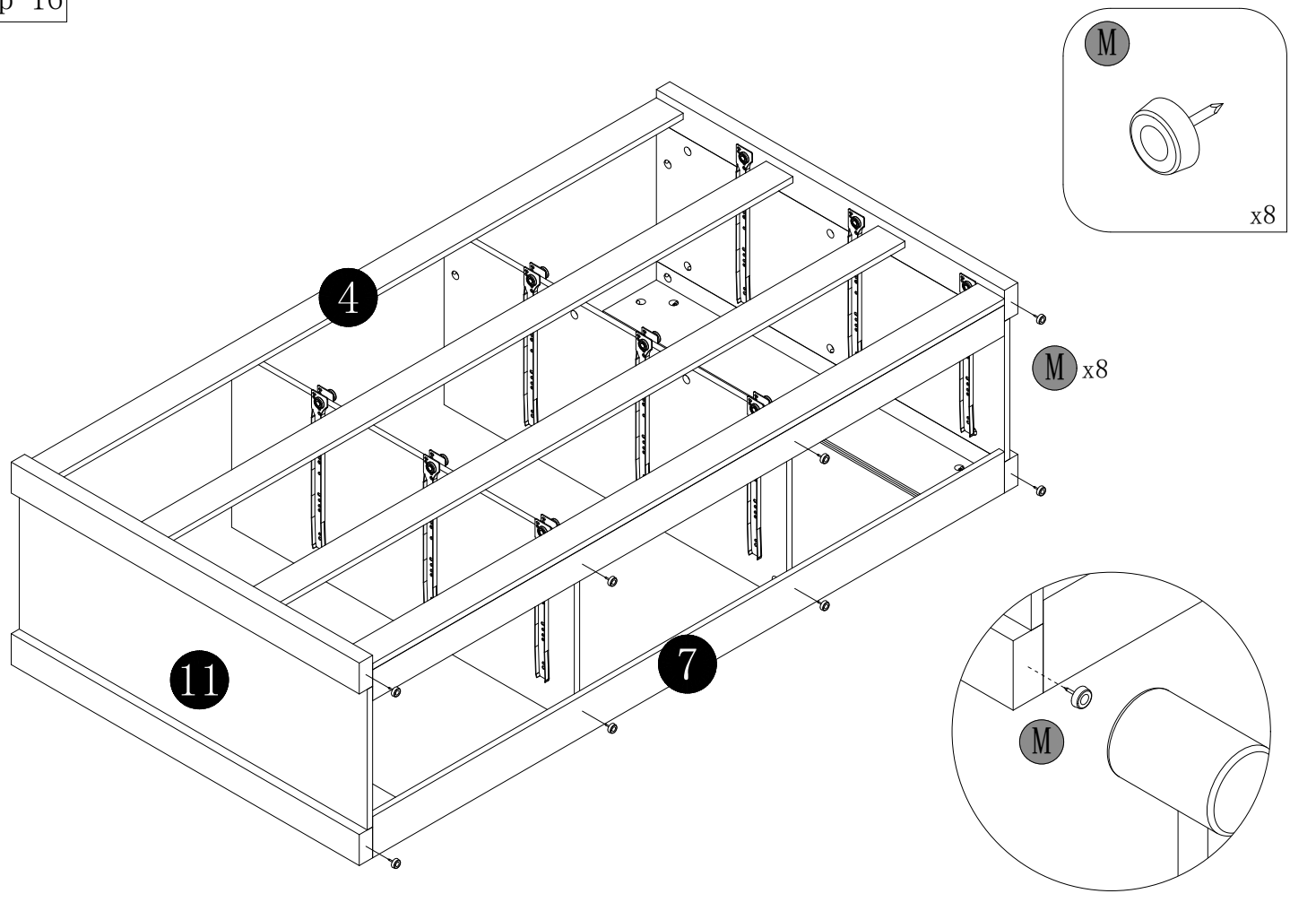
x5



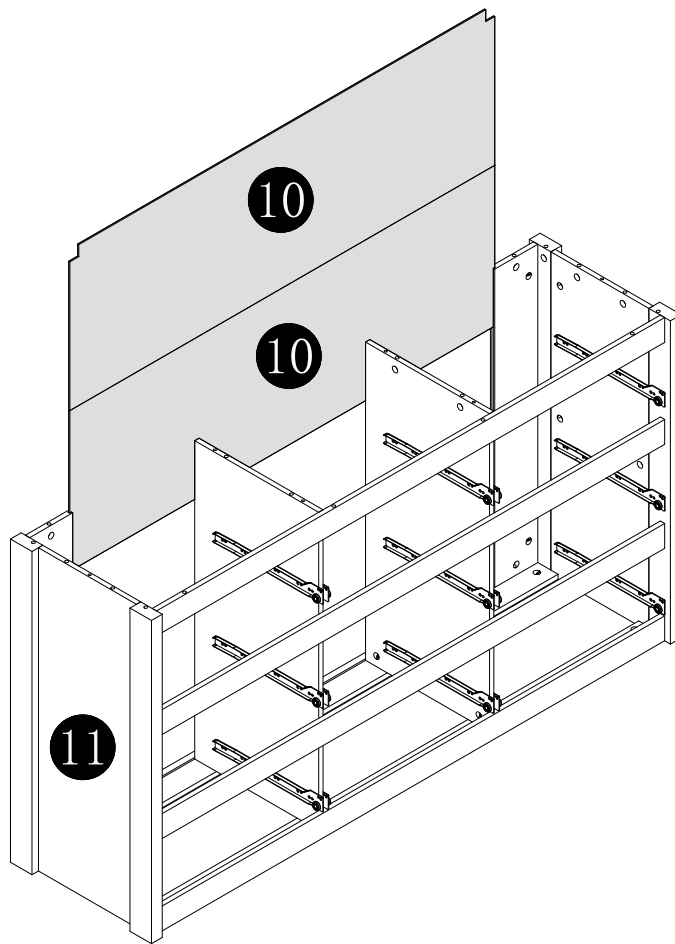
Step 15



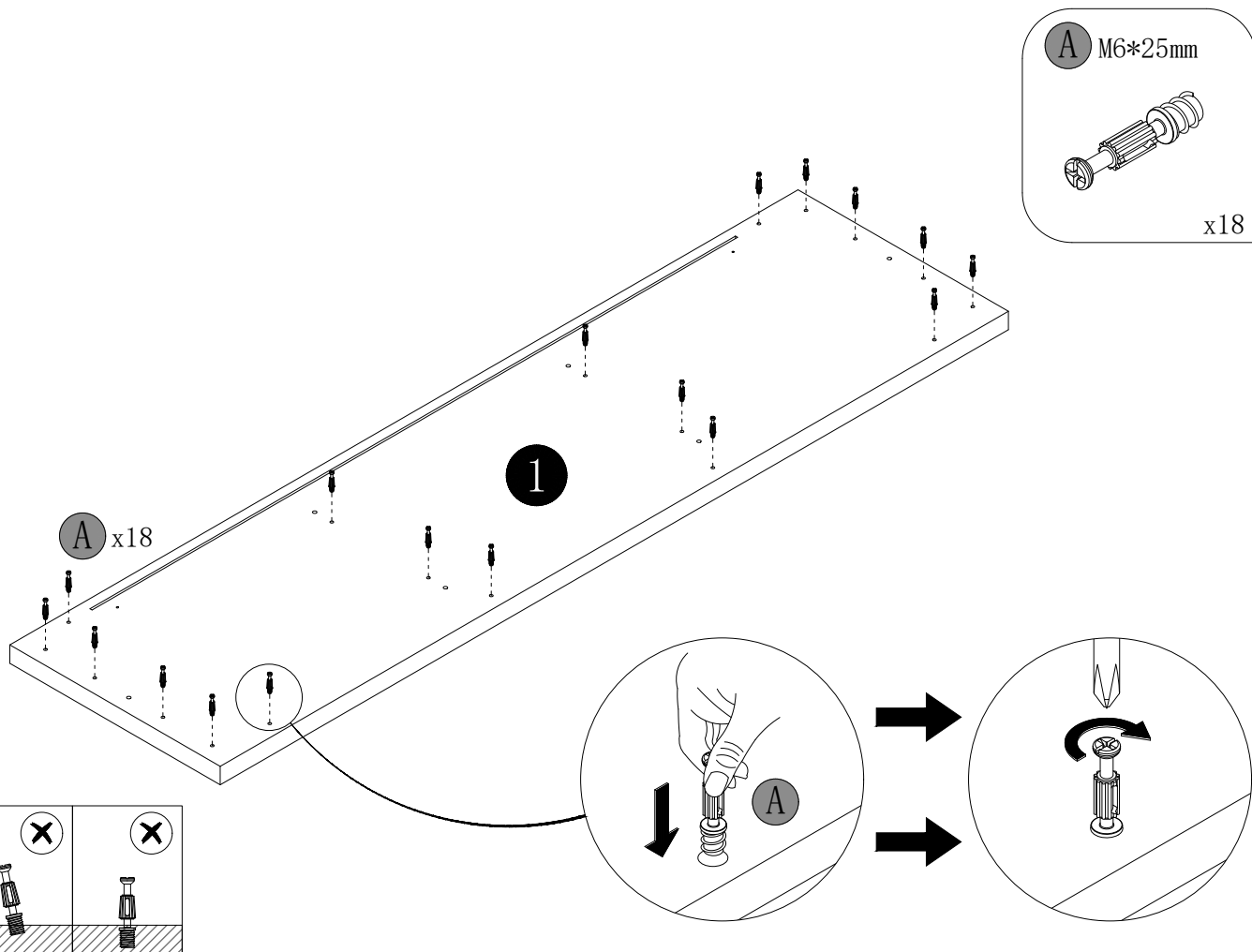
Step 16



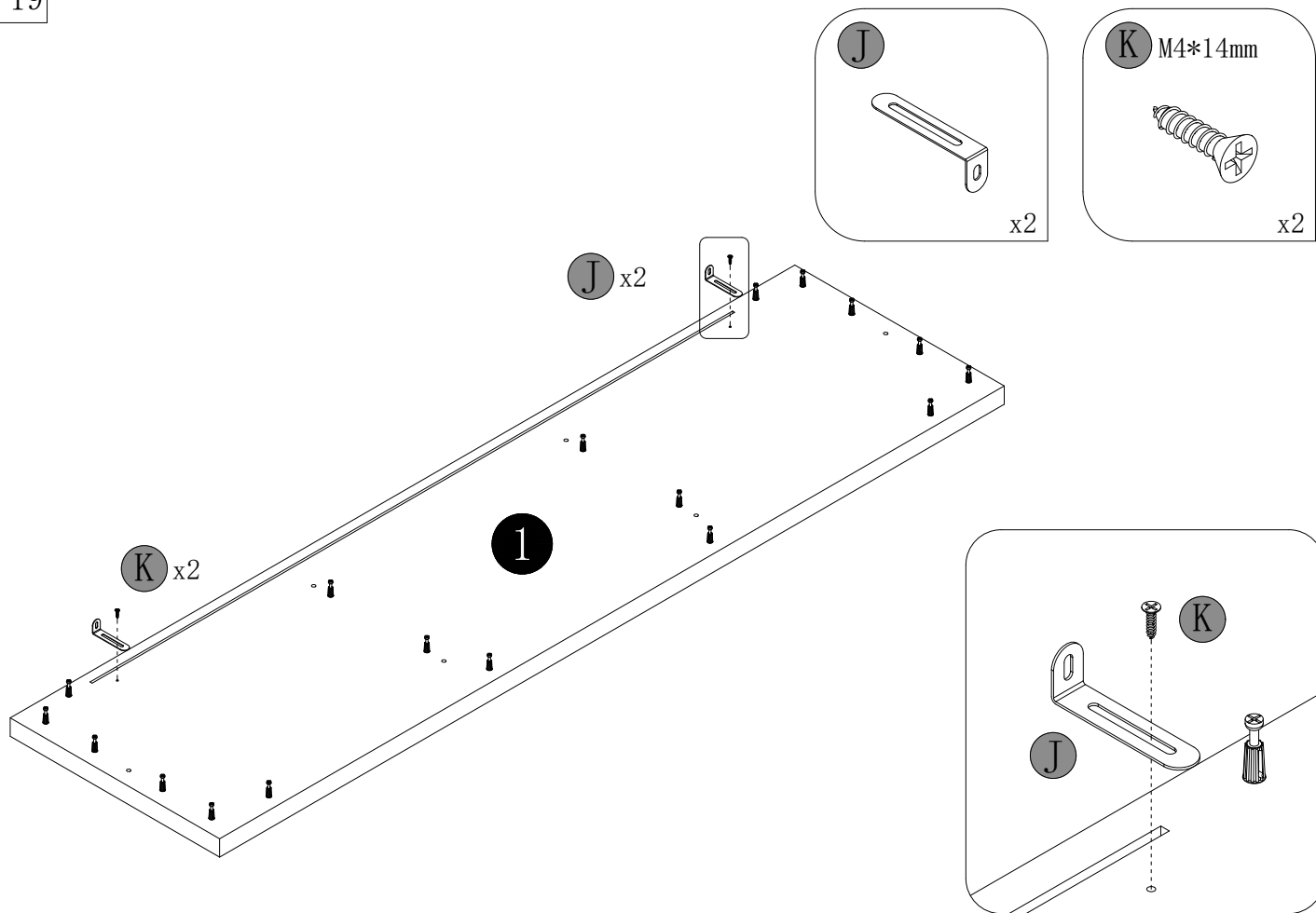
Step 17



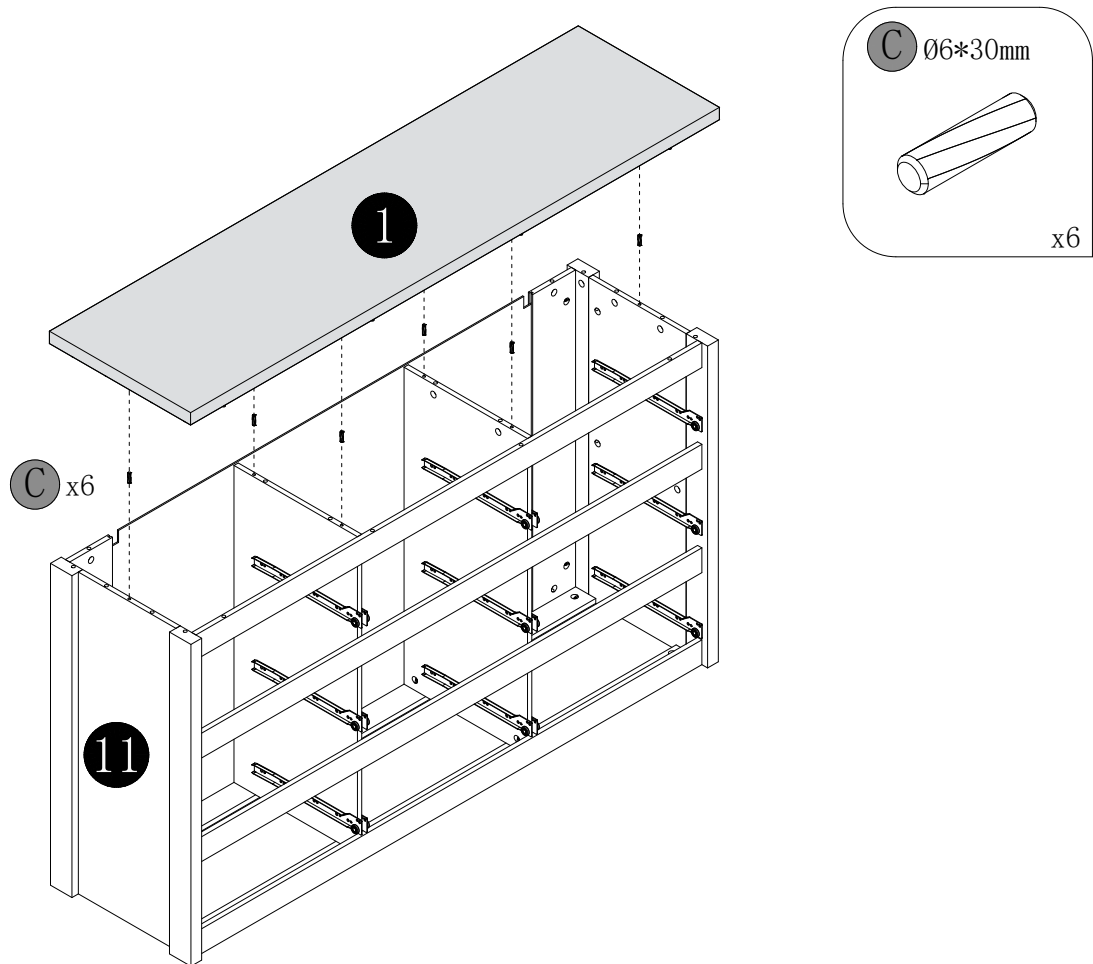
Step 18



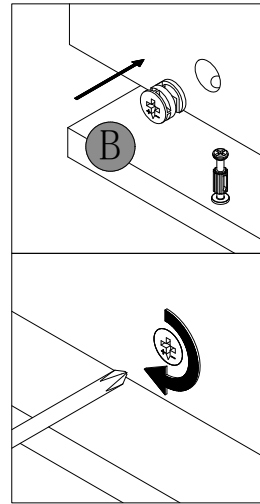
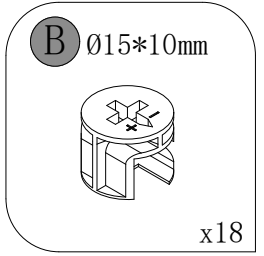
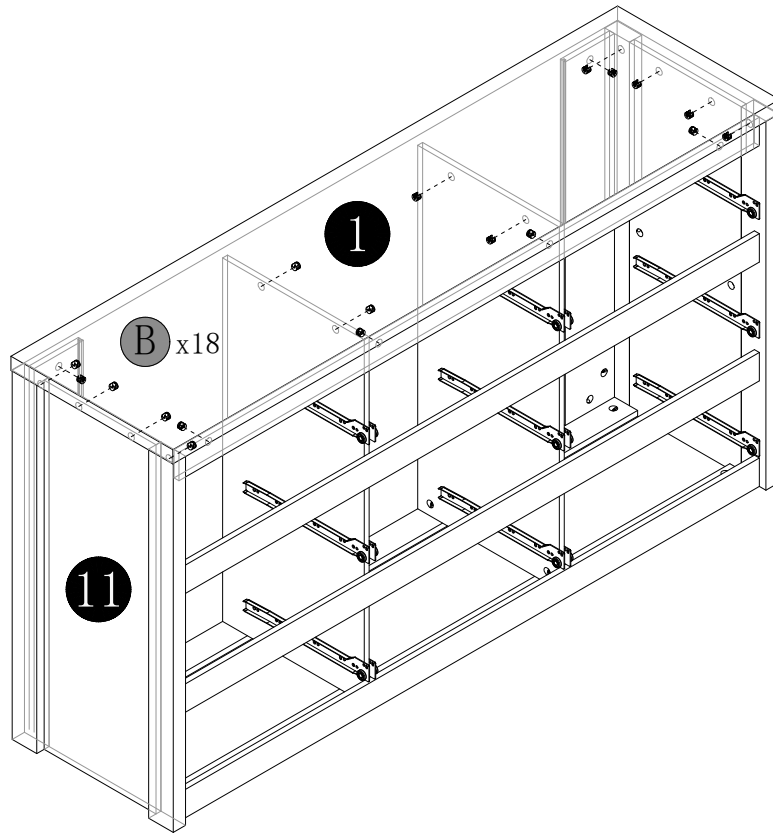
Step 19



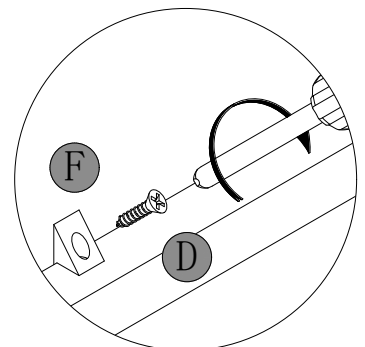
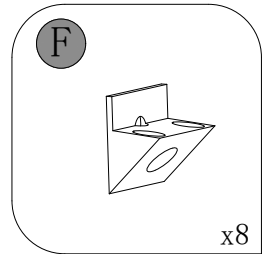
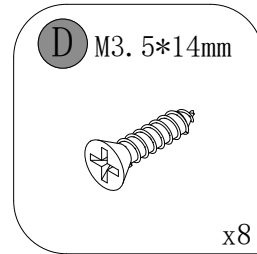
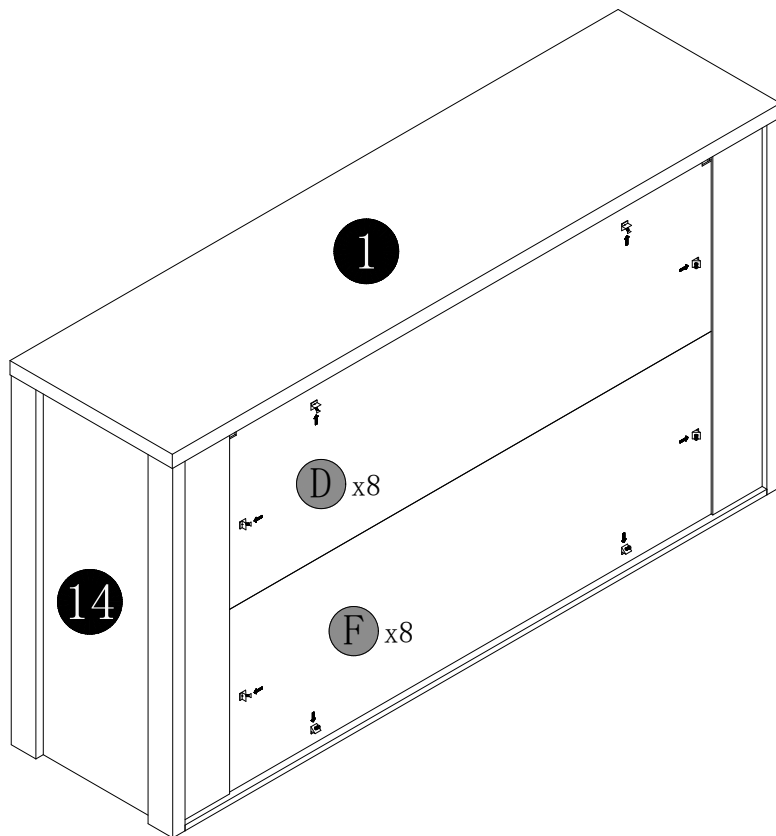
Step 20



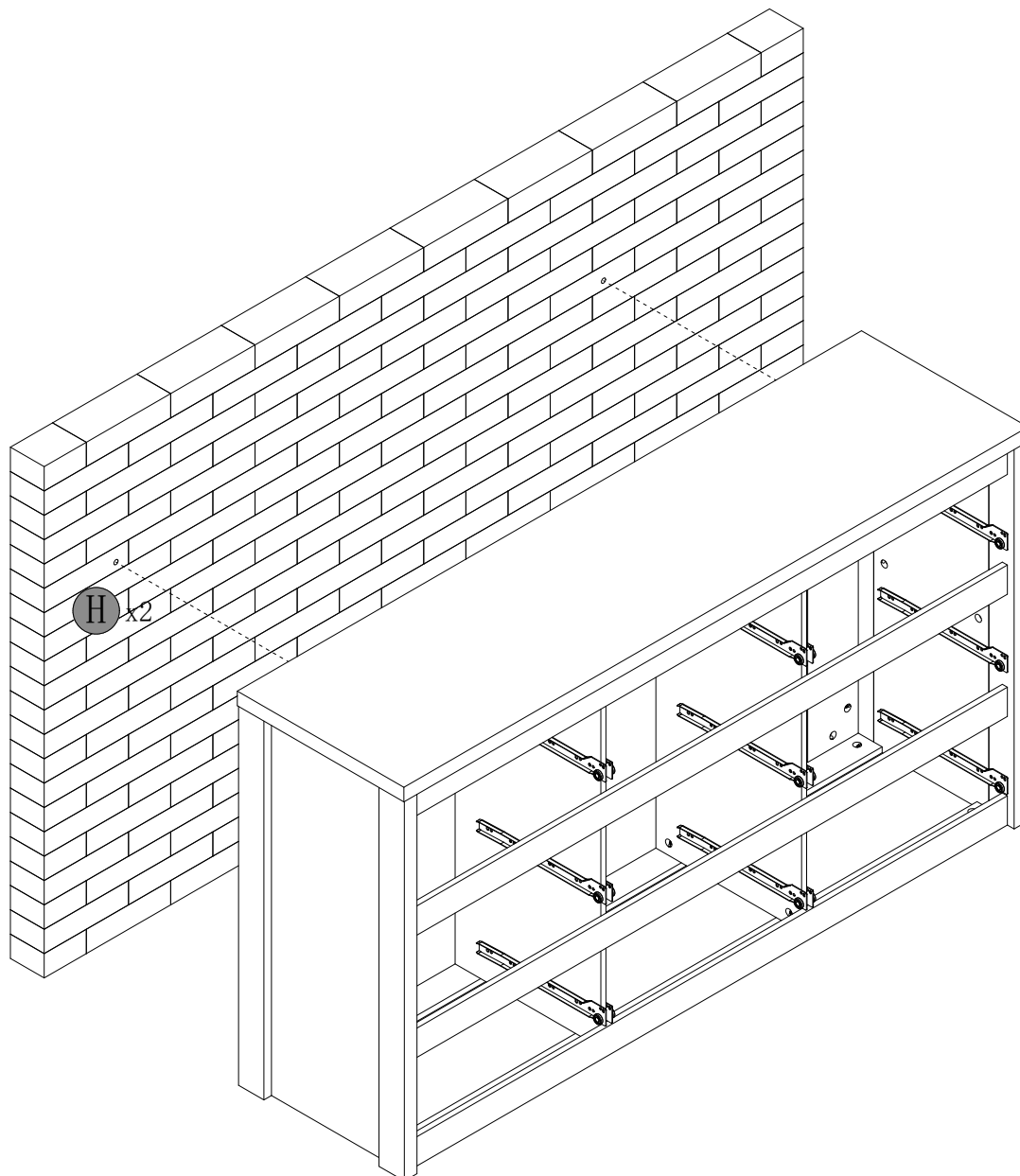
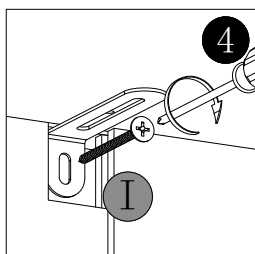
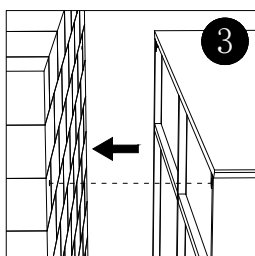
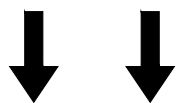
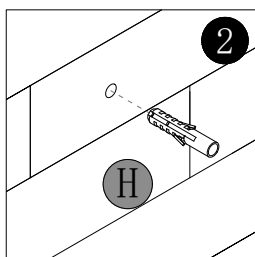
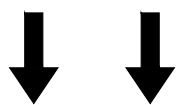
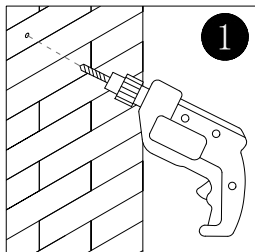
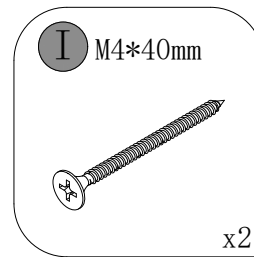
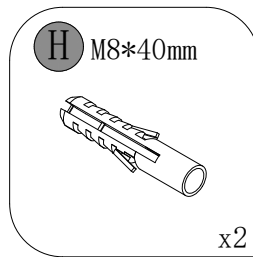
Step 21



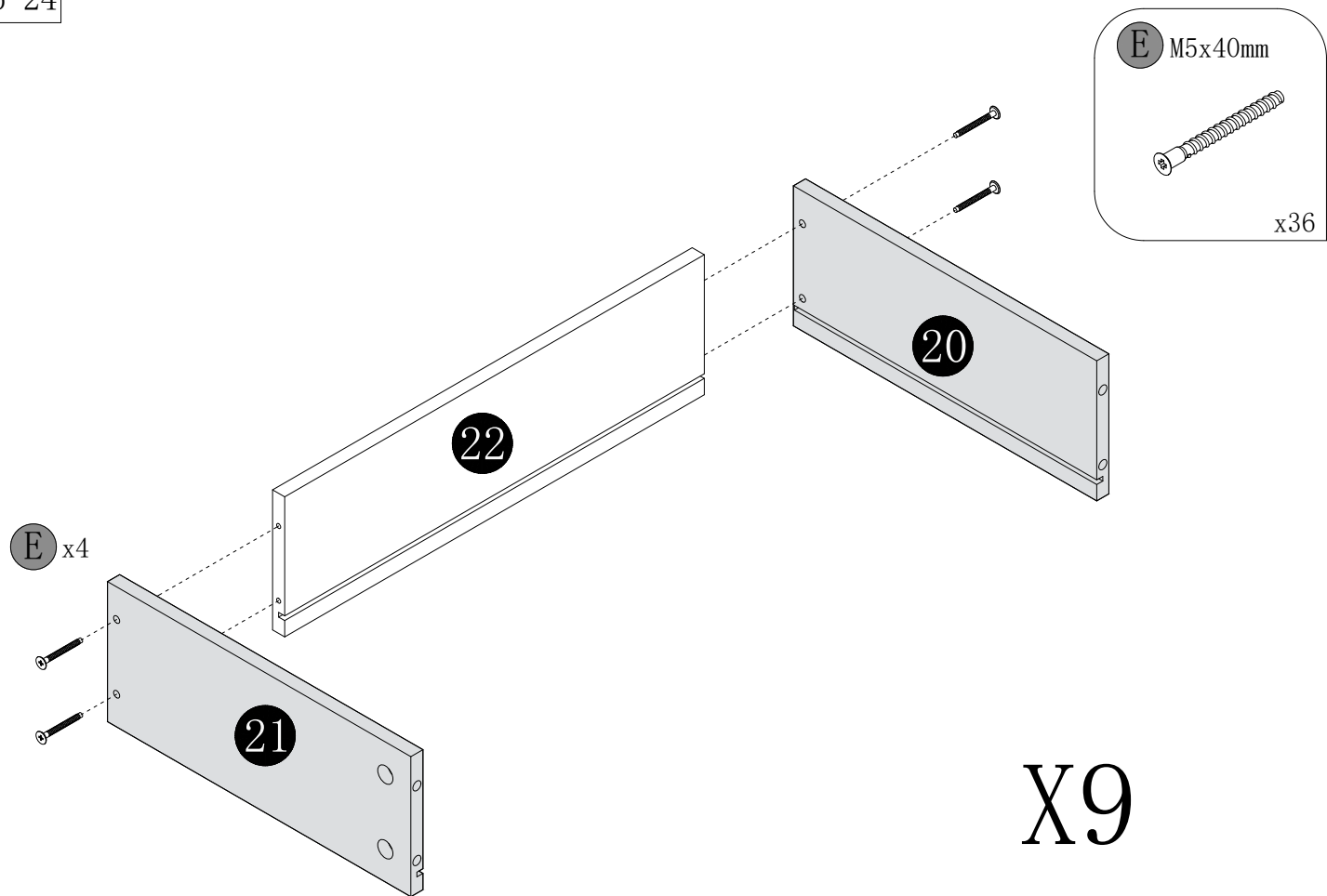
Step 22



Step 23

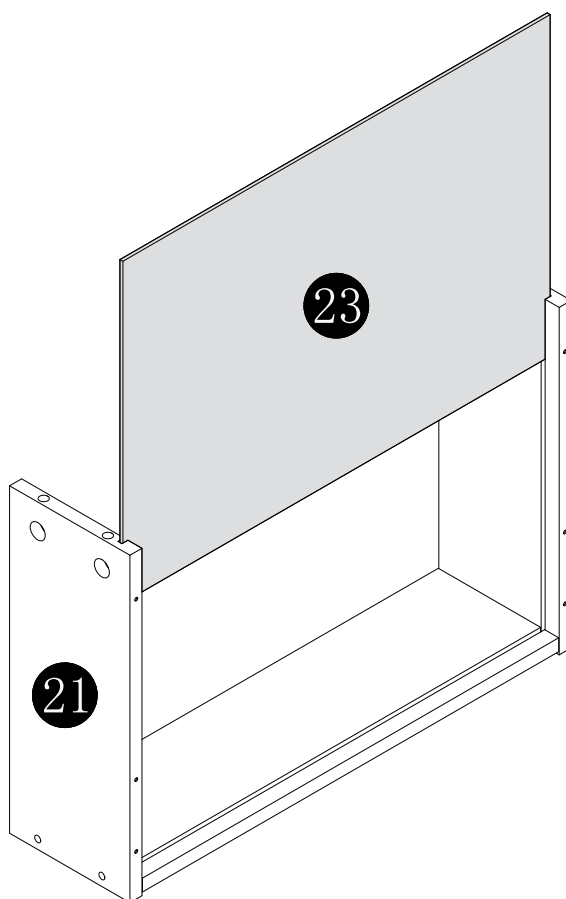


Step 24

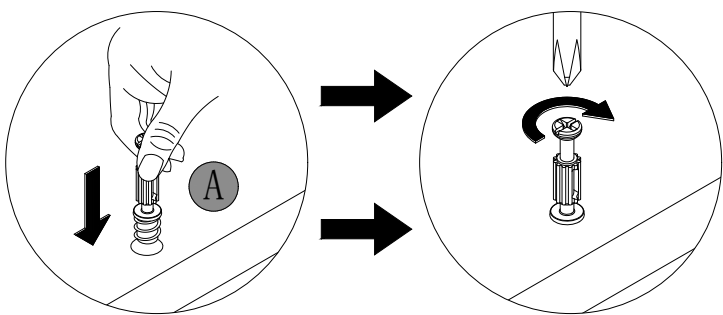
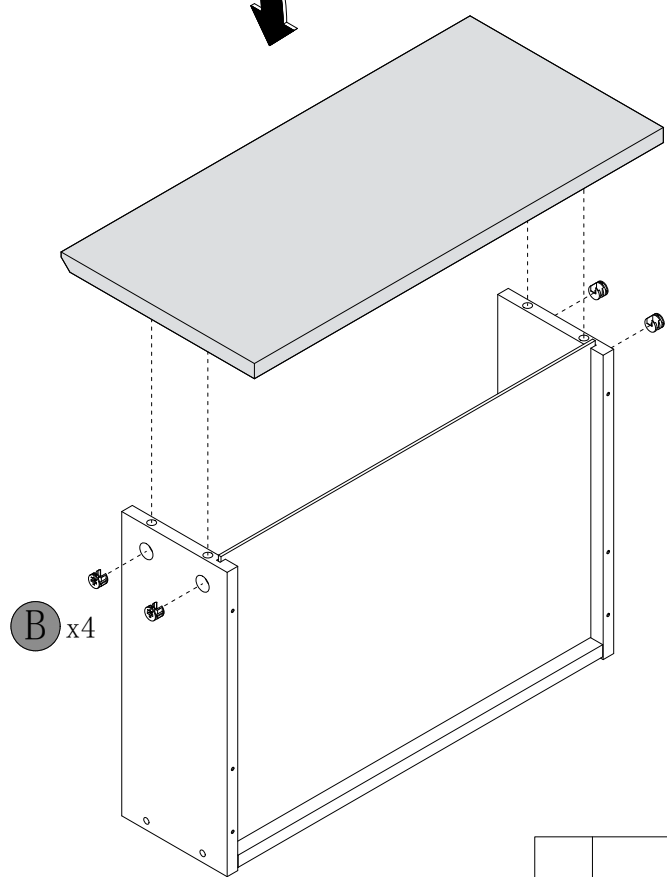
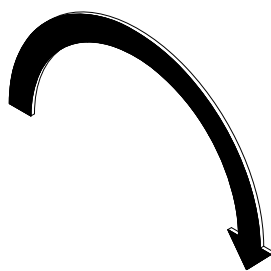
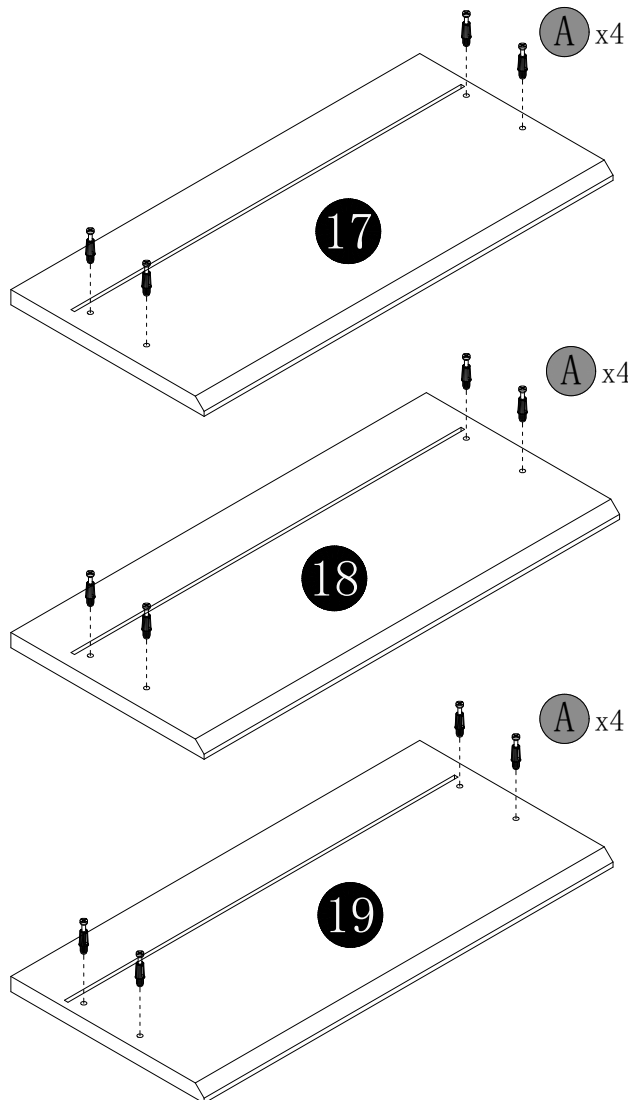
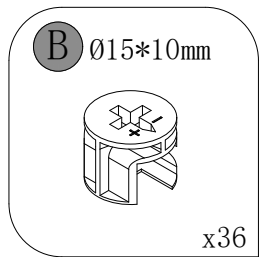
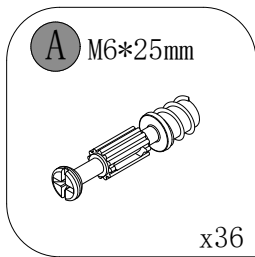


X9

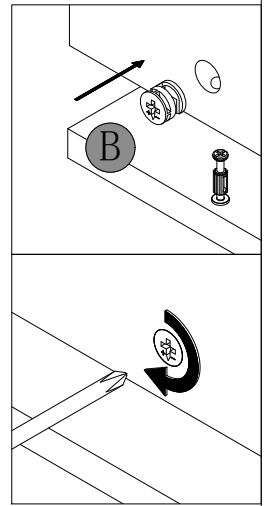
Step 25



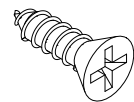
X9



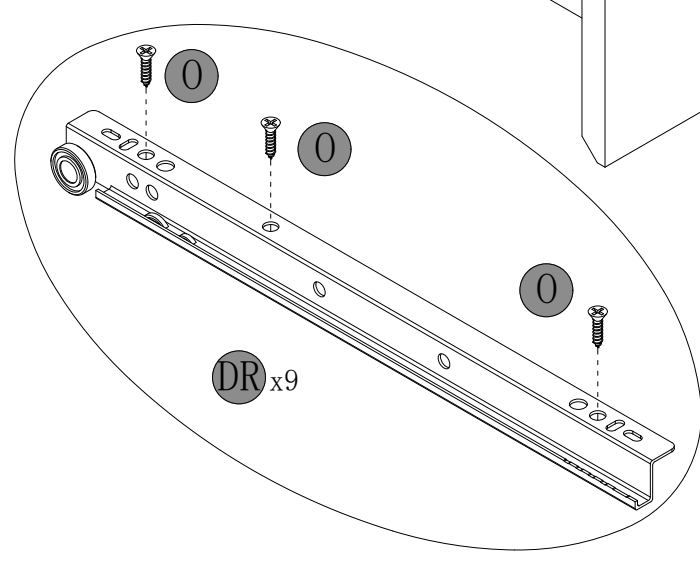
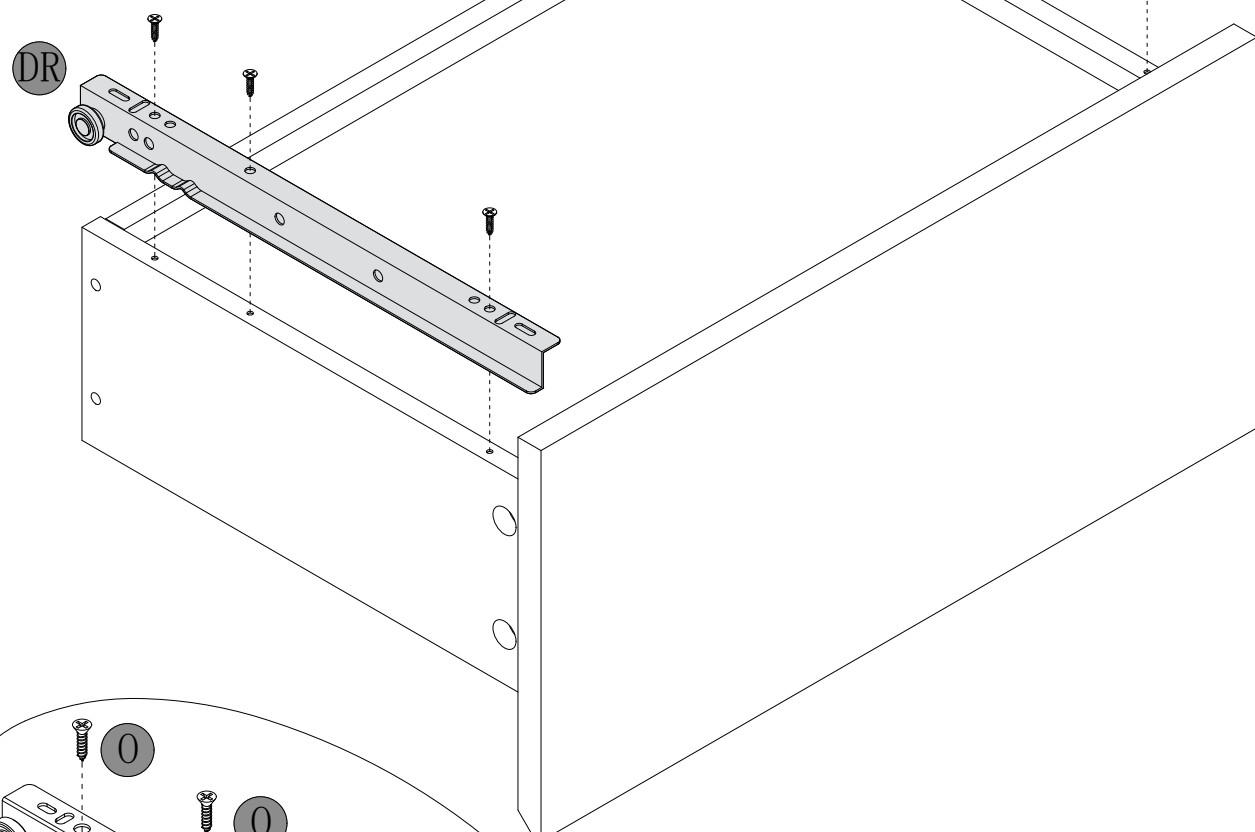
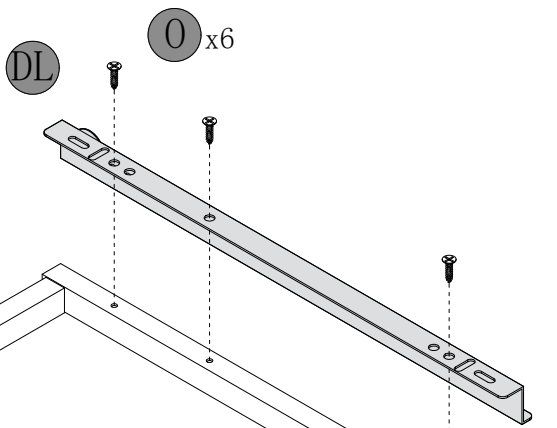
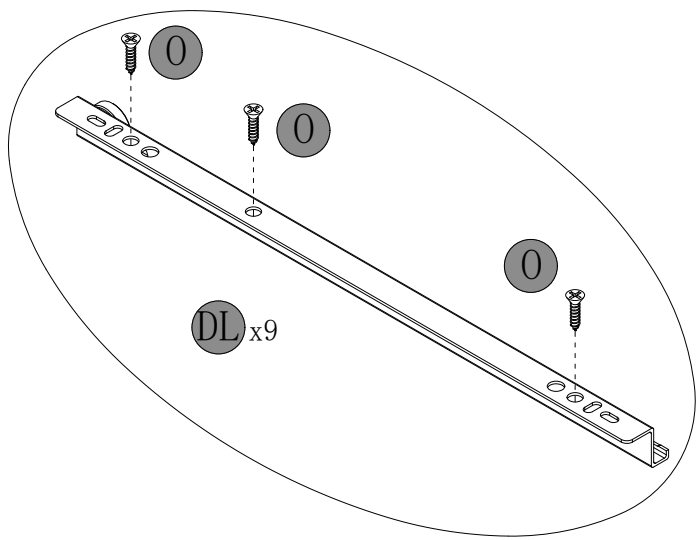
X9



0 M3.5\*10mm

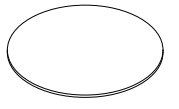


x54

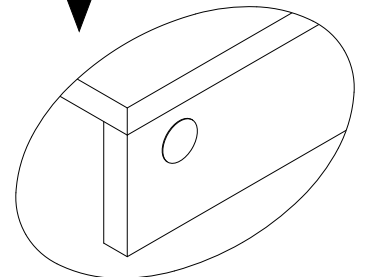
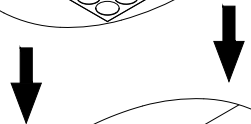
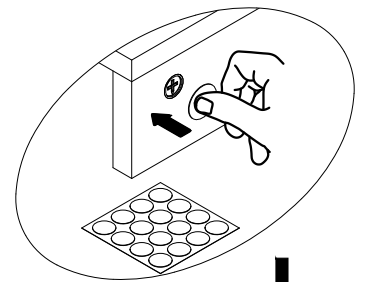
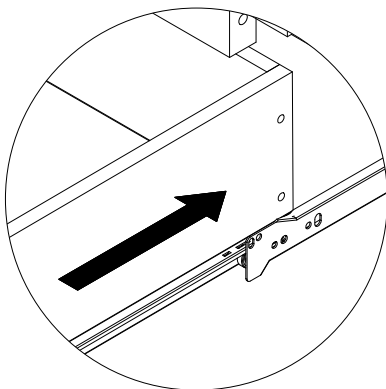
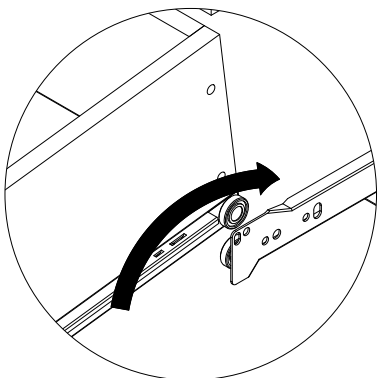
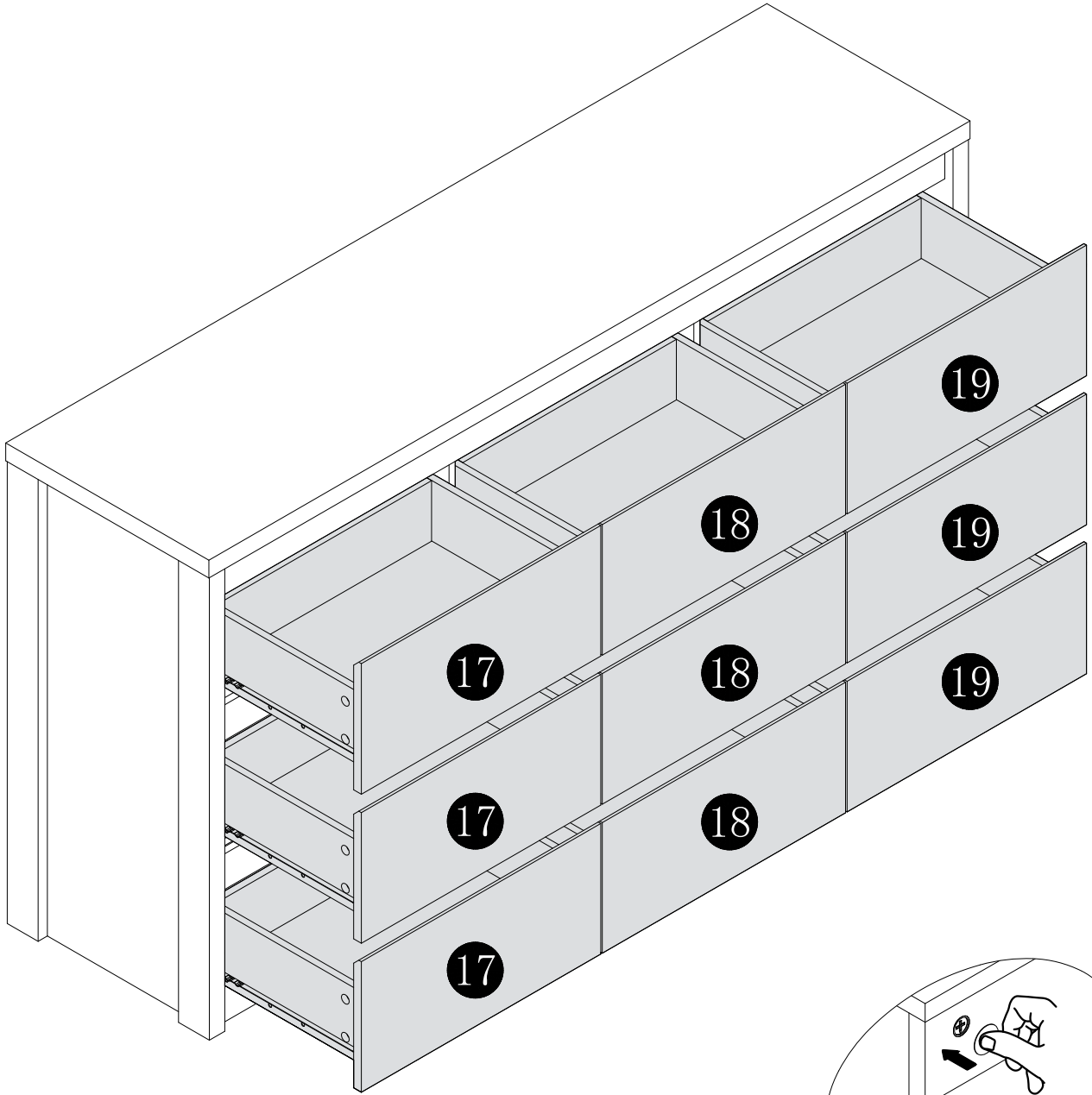


X9

G Ø22\*0.4



x98



# ! WARNING



Children have died from furniture tipover.  
To reduce the risk of furniture tipover:

- ALWAYS install Anti-tip device provided.
- NEVER put a TV on this product.
- NEVER allow children to stand, climb or hang on any drawers, doors, or shelves.
- NEVER open more than one drawer at a time.
- Place heaviest items in the lowest drawers.

This is a permanent label.  
Do not remove!

