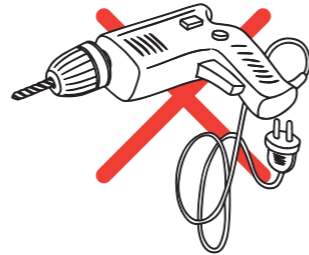


To deodorize the leather please leave the chair in shady outside for 1-2 days



For longer use

Re-tighten bolts every 6 months by using the enclosed allen-key.
*Using an electric drill may damage the chair. Please re-tighten bolts manually.



INSTRUCTION MANUAL



Safety Information



Sit in the center of the chair, let your back fit the backrest



Do not sit at the front edge of the chair



Do not stand on the chair



Do not use the chair with more than one person



Do not push the chair around when a person is sitting in it



Do not push down the backrest when a person is reclining



Do not place all your weight on only the backrest

INSTRUCTION MANUAL

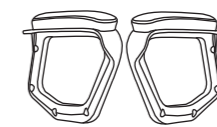
Package List



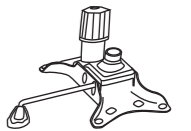
(1)*1 Backrest



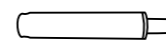
(2)*1 Seat Cushion



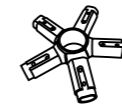
(3)*1L * 1R Armrests



(4)*1 Mechanism



(5)*1 Gas Lift



(6)*1 Base



(7)*5 Legs



(8)*5 Casters



(9)*4 Bolts



(10)*8 Bolts



(11)*10 Bolts

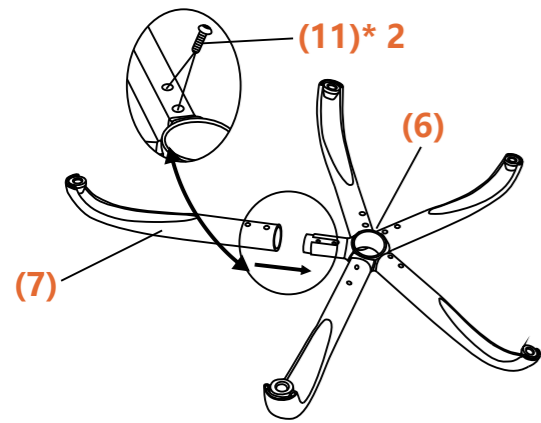


(12)*8 Caps

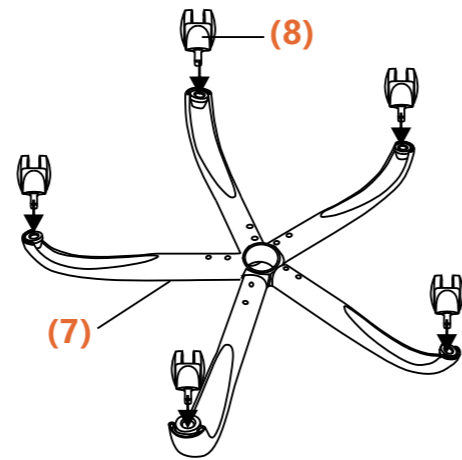


(13)*1 Wrench

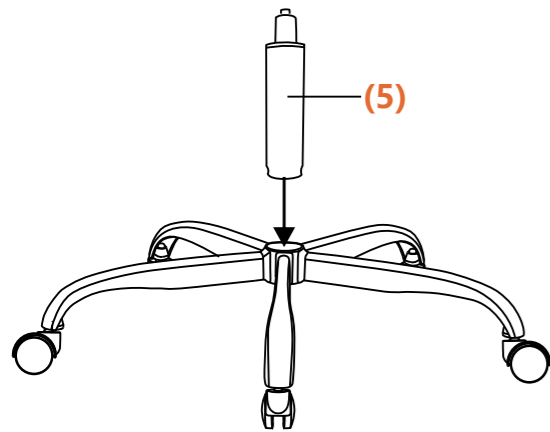
Assembly Instruction



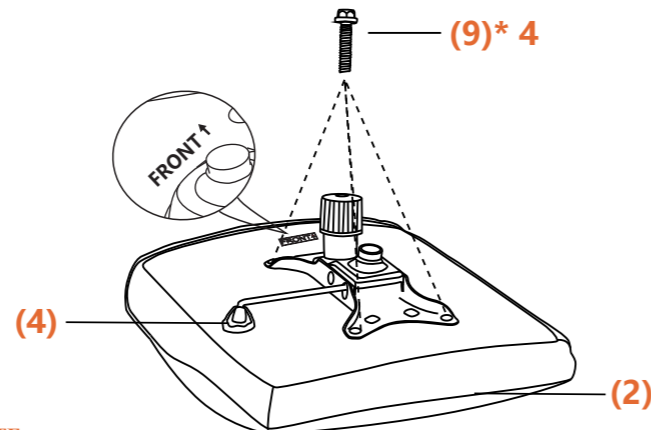
1 Turn the Base (6) upside down. Install Legs (7)*5 to the Base (6) with Bolts (11)*10.



2 Press Casters (8)*5 into the holes at the end of Legs (7)*5.

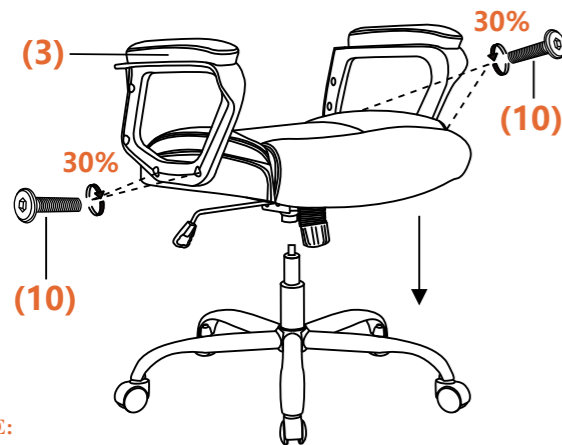


3 Turn the Base back, and insert Gas Lift (5) into the center hole of the Base.



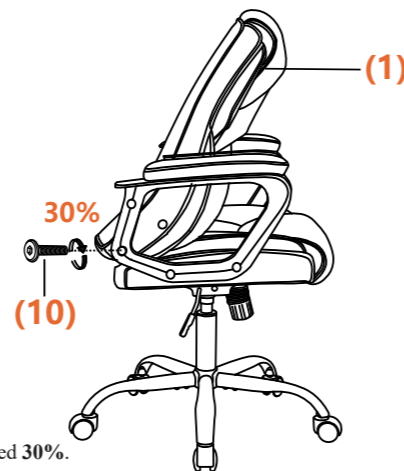
NOTE:
Make sure the "FRONT" direction of Mechanism (4) and Seat Cushion (2) are the same.

4 Attach Mechanism (4) to the Seat Cushion (2) with Bolts (9)*4.



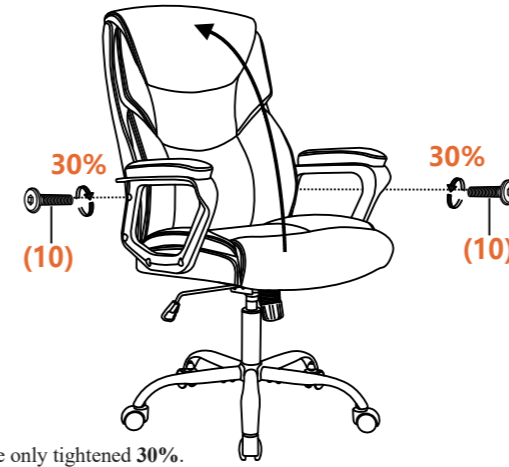
NOTE:
Bolts are only tightened 30%.

5 Align the center hole of the Seat Mechanism with Gas Lift (5) and press the Seat Cushion down until it is fully secured. Attach Armrests (3)*1L*1R to both sides of the Seat Cushion (2) with Bolts (10)*4.



NOTE:
Bolts are only tightened 30%.

6 Tilt the Backrest (1) down. Attach Armrests (3)*1L*1R to the screw holes on the lower side of the Backrest (1) with Bolts (10)*2.



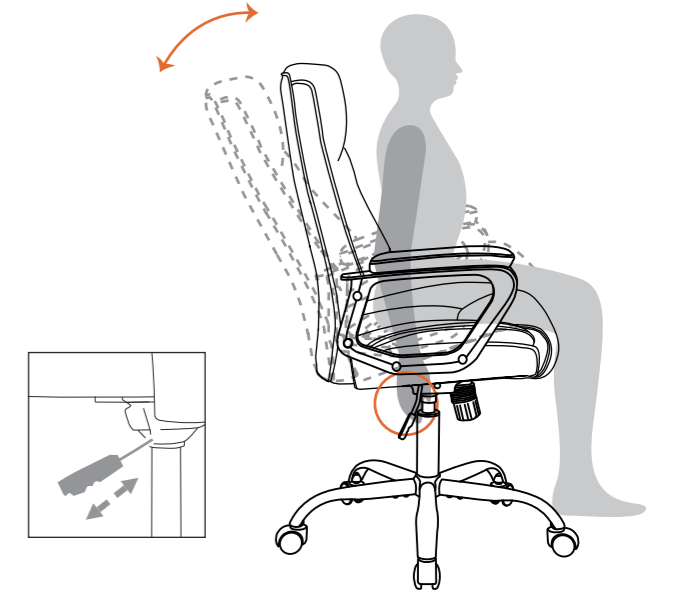
NOTE:
Bolts are only tightened 30%.

7 Rotate the Backrest (1) up. Attach Armrests (3)*1L*1R to the screw holes on the upper side of the Backrest (1) with Bolts (10)*2.



8 Adjust the balance on each side of the Chair, and 100% tighten the Bolts (10)*8 on both sides of the Armrests. Then Press Caps (12)*8 into screw holes of each side.

Instructions For Use



CAUTION:

- * Before using the chair, check to ensure that all bolts are fully tightened.
- * Lubricate all parts and tighten all bolts every 6 months or whenever needed.