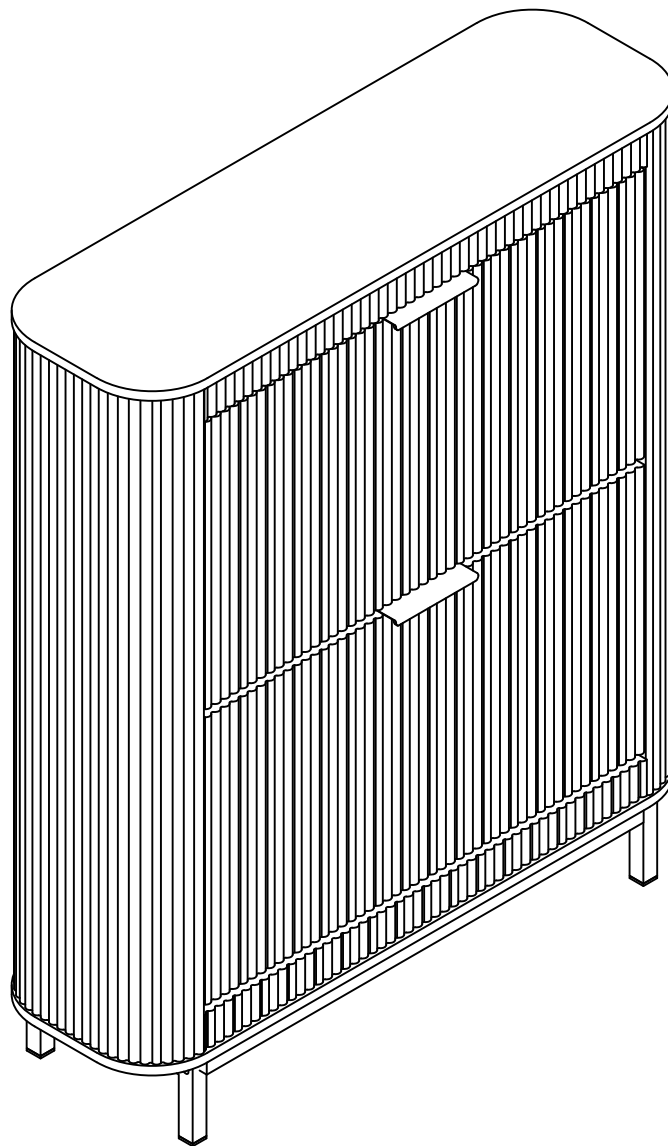


# Assembly Instructions

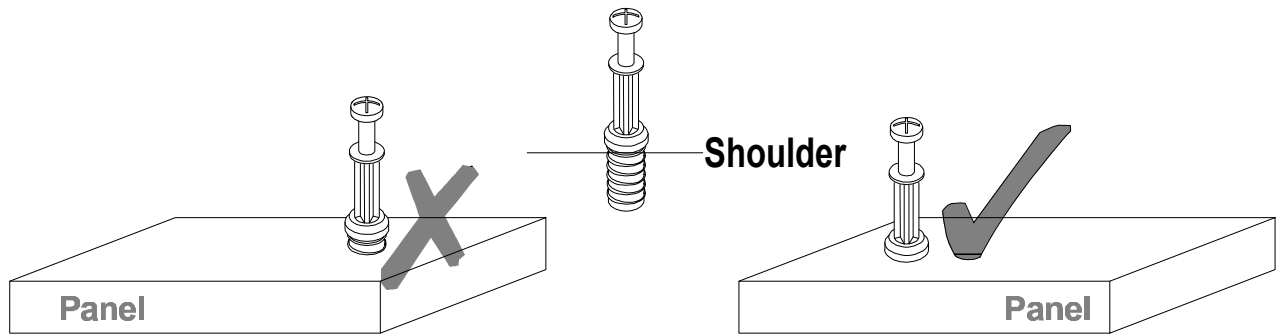


# Before Assembly

## Tips Before Your Start:

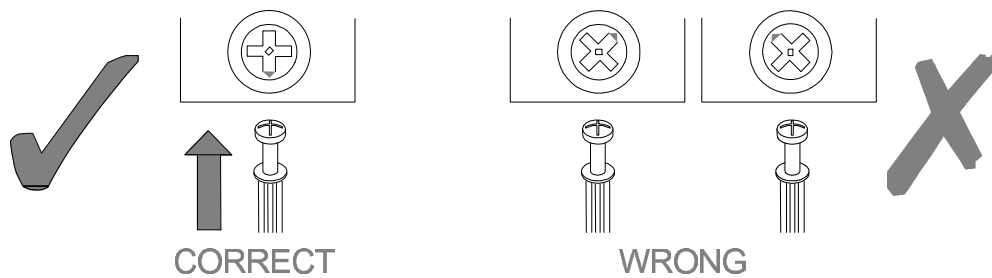
- Remove all wrapping material, including staples & packing straps before you start to assemble.
- DO NOT tighten all screws and bolts until the assembly is completely assembled.
- Keep all hardware parts out of reach of children.

## QUICKFIT



Tighten quickfit until shoulder is flush with panel. Do not overtighten or undertighten.

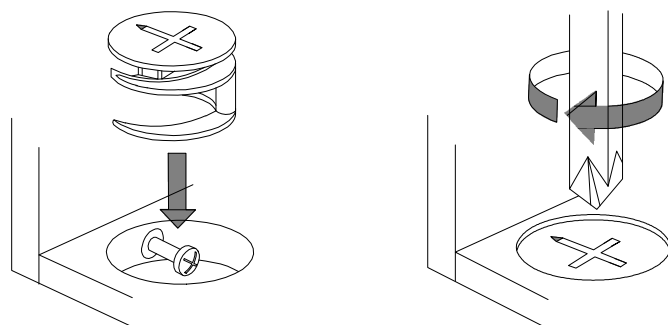
## CAM LOCK



When fitting a cam lock, ensure the starting position is correct before inserting the connecting QUI CKFIT

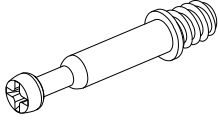

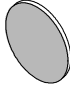
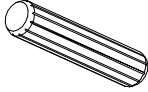
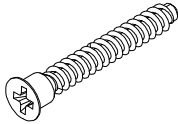
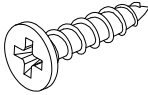
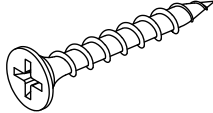
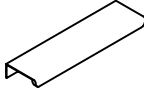
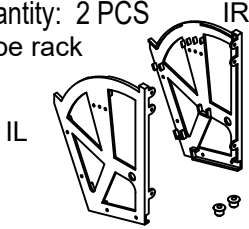
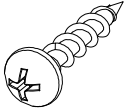
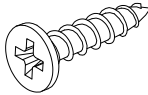
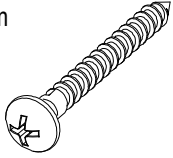
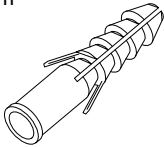
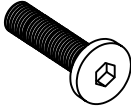

Quickfit head should be in the centre of the cam lock when the two panels are joined.

Cam lock should be inserted before quickfit.

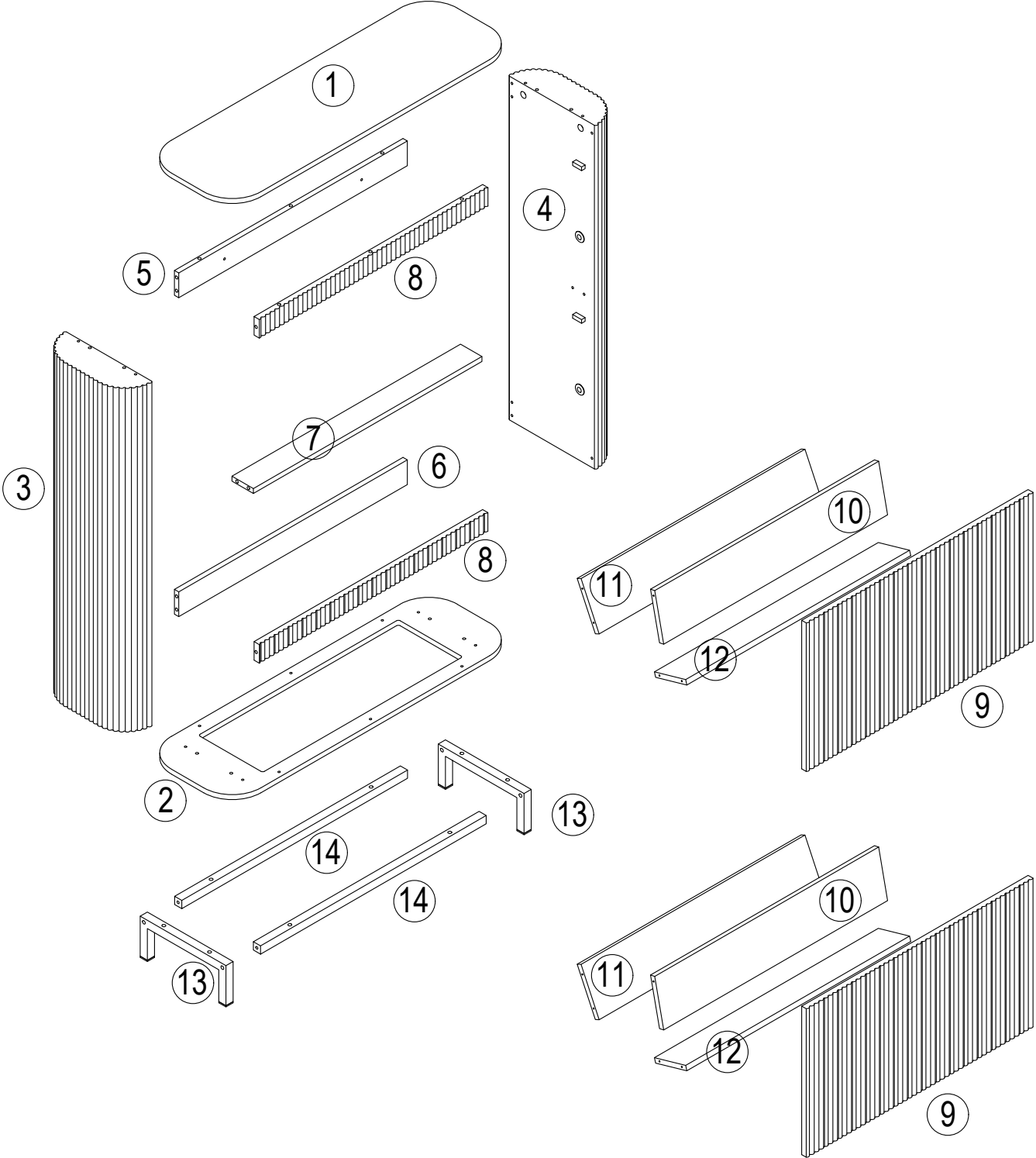


Turn cam lock clockwise to tighten.

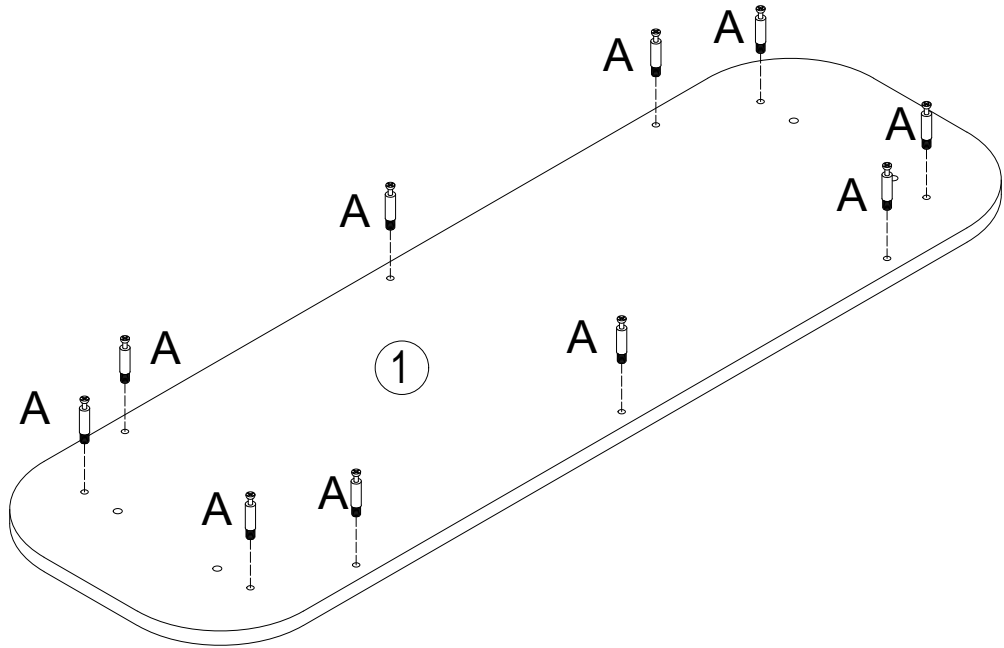
# Part List

<p><b>No. A</b> Quantity: 32+2 PCS Cam Bolt ø6x33.5mm</p> 	<p><b>No. B</b> Quantity: 32+2 PCS Cam ø15x9.5mm</p> 	<p><b>No. C</b> Quantity: 32+2 PCS Sticker ø20mm</p> 	<p><b>No. D</b> Quantity: 8 PCS Dowel ø6x30mm</p> 
<p><b>No. E</b> Quantity: 4 PCS Screw ø5x48mm</p> 	<p><b>No. F</b> Quantity: 4 PCS Screw ø3.5x12mm</p> 	<p><b>No. G</b> Quantity: 20+2 PCS Screw ø4x25mm</p> 	<p><b>No. H</b> Quantity: 2 PCS Handle 120x40x15mm</p> 
<p><b>No. I</b> Quantity: 2 PCS Shoe rack</p>  <p>IL IR</p>	<p><b>No. J</b> Quantity: 12+1 PCS Screw ø4x16mm</p> 	<p><b>No. K</b> Quantity: 4+1 PCS Screw ø3.5x14mm</p> 	<p><b>No. L</b> Quantity: 2 PCS Screw ø4x50mm</p> 
<p><b>No. M</b> Quantity: 2 PCS Plastic Expansion ø8x40mm</p> 	<p><b>No. N</b> Quantity: 12+1 PCS Bolt M6x28mm</p> 	<p><b>No. O</b> Quantity: 1 PCS Hex Key 4mm</p> 	

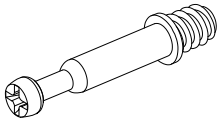
# Product structure



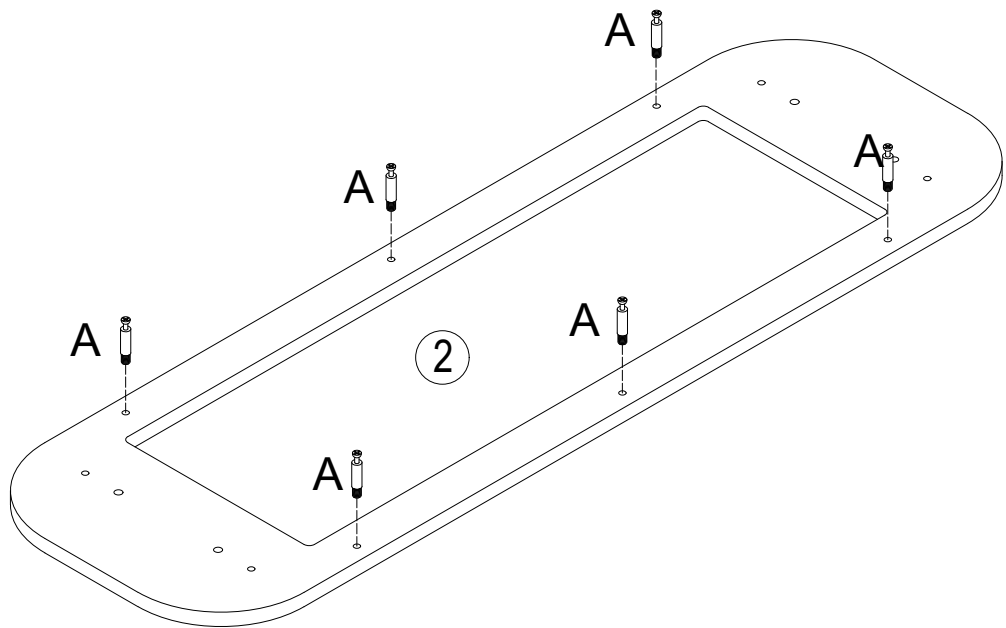
# STET 1



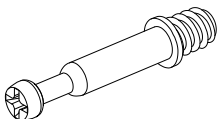
No. A  
Quantity: 10 PCS  
Cam Bolt  
ø6x33.5mm



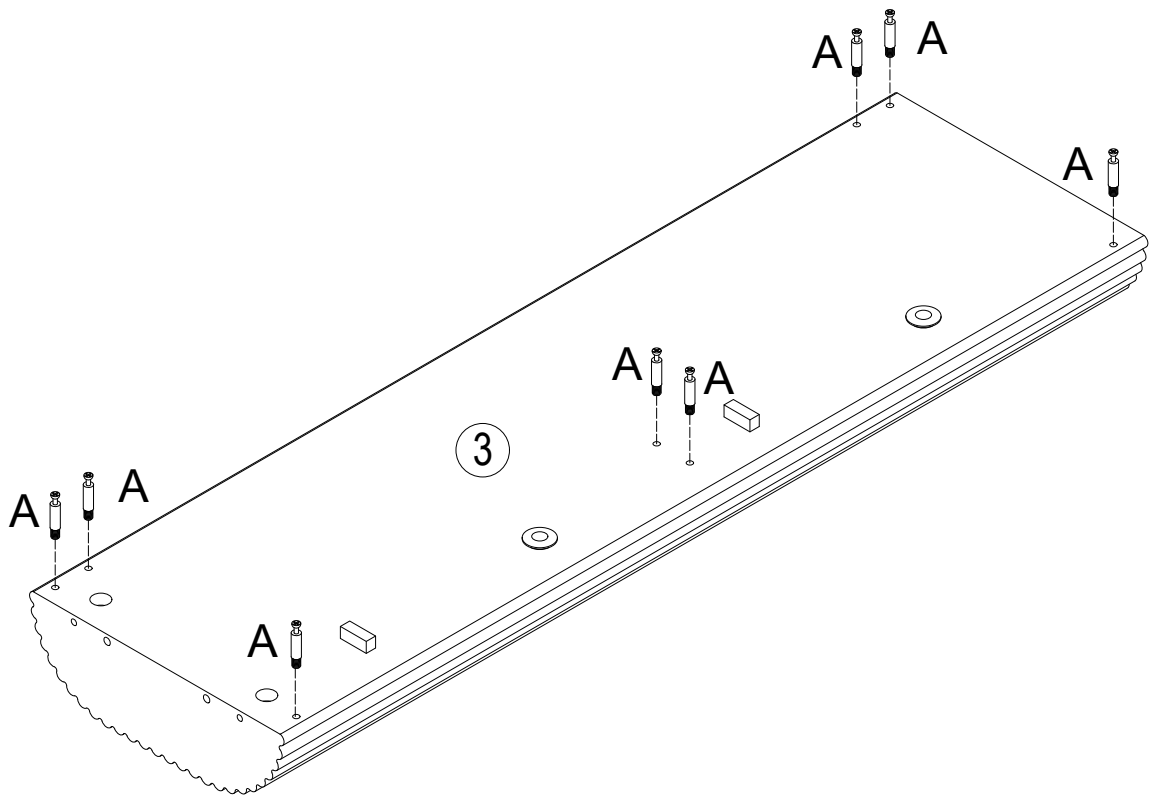
# STET 2



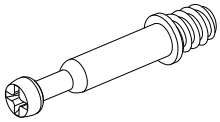
No. A  
Quantity: 6 PCS  
Cam Bolt  
ø6x33.5mm



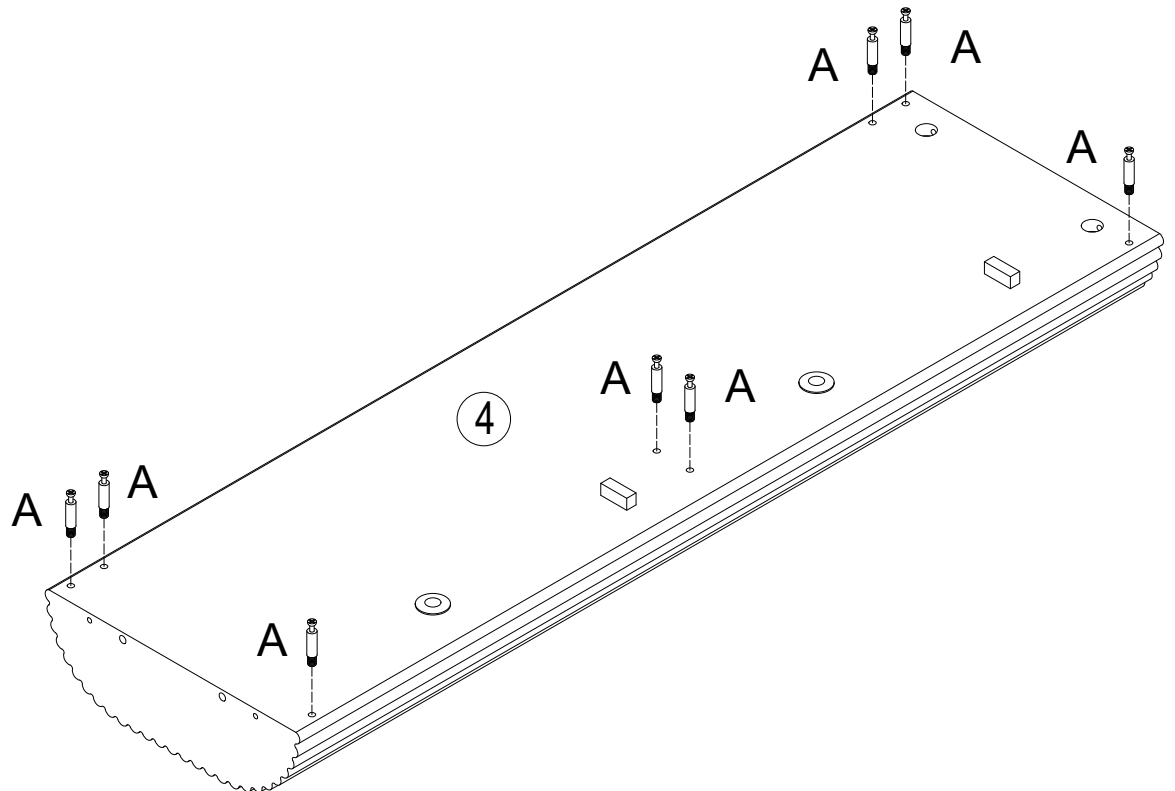
# STET 3



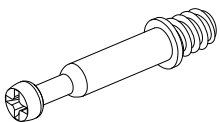
No. A  
Quantity: 8 PCS  
Cam Bolt  
ø6x33.5mm



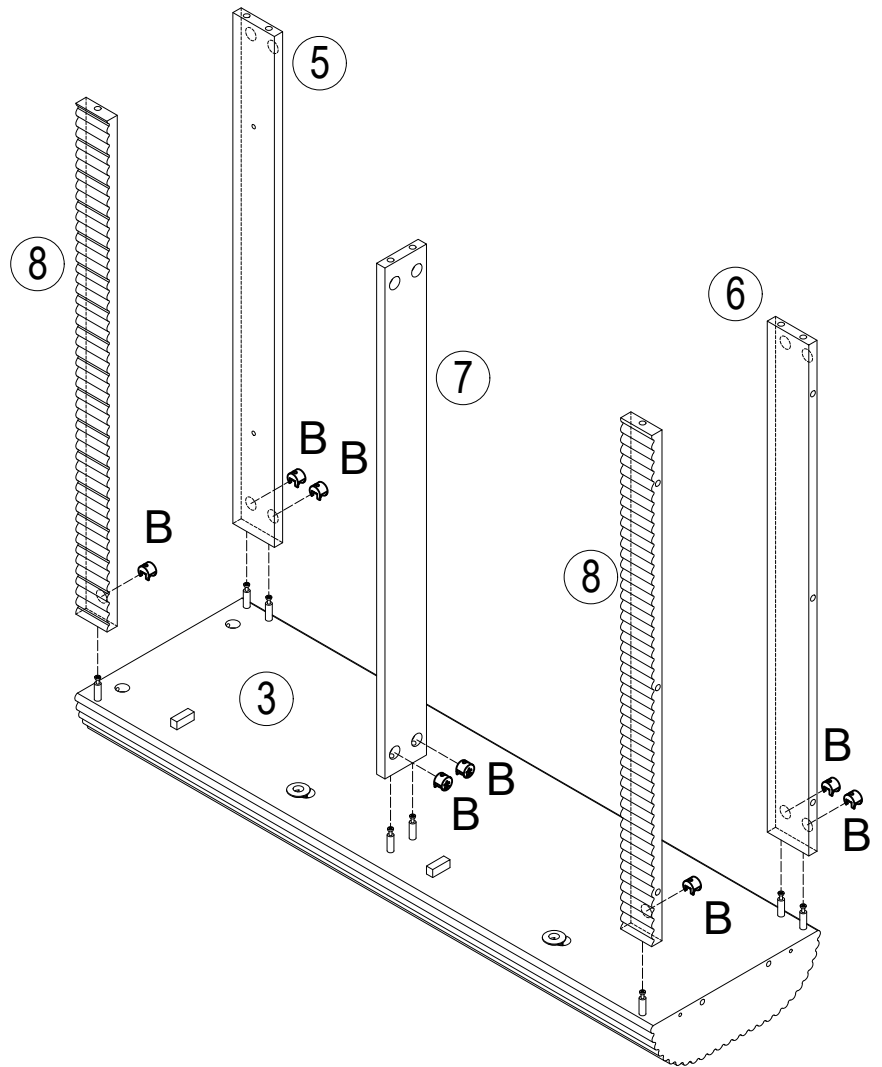
# STET 4



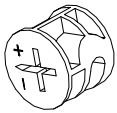
No. A  
Quantity: 8 PCS  
Cam Bolt  
ø6x33.5mm



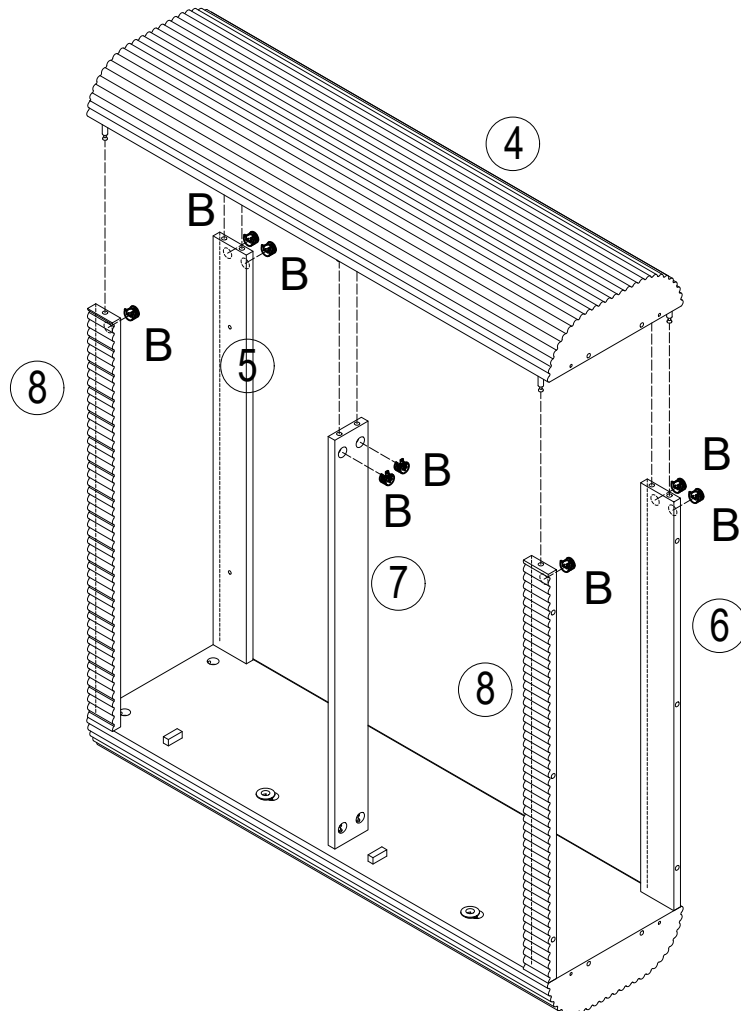
# STET 5



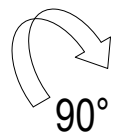
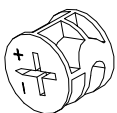
No. B  
Quantity: 8 PCS  
Cam  
ø15x9.5mm



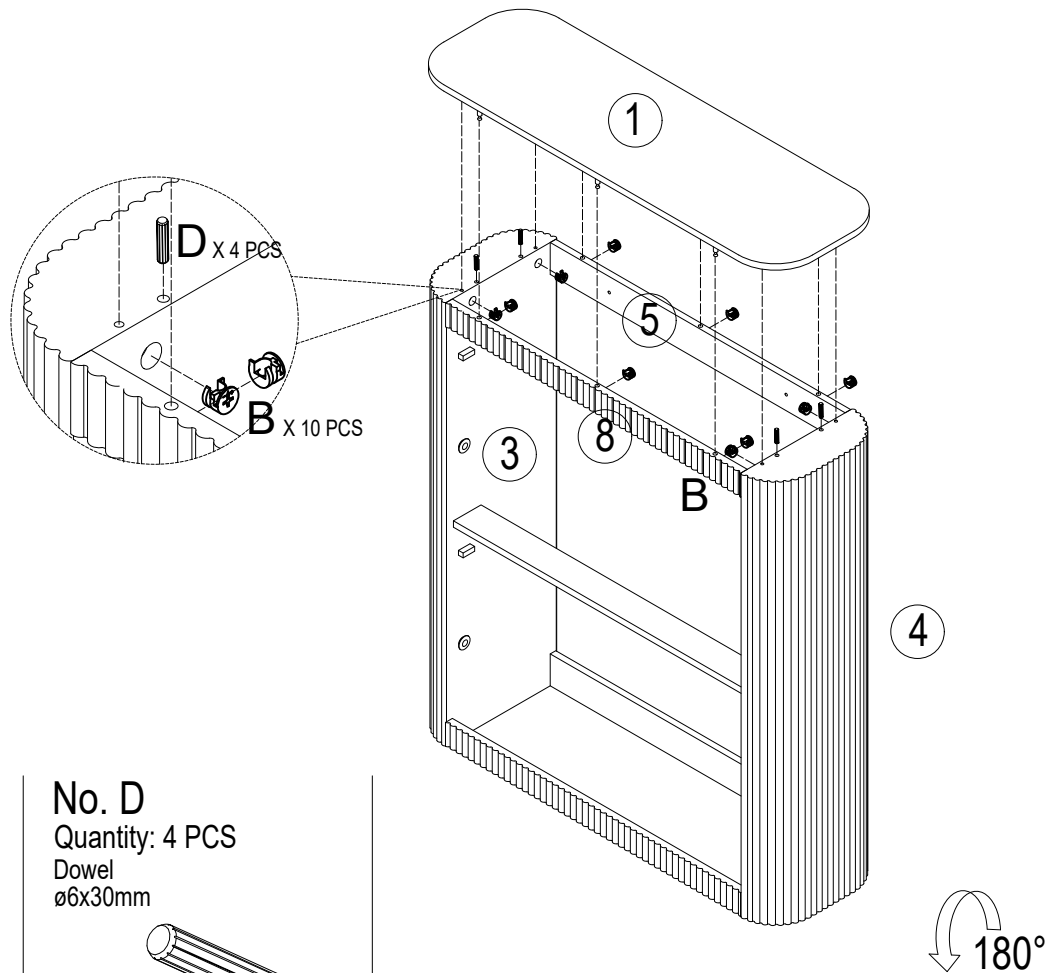
# STET 6



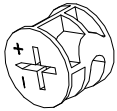
No. B  
Quantity: 8 PCS  
Cam  
ø15x9.5mm



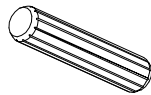
# STET 7



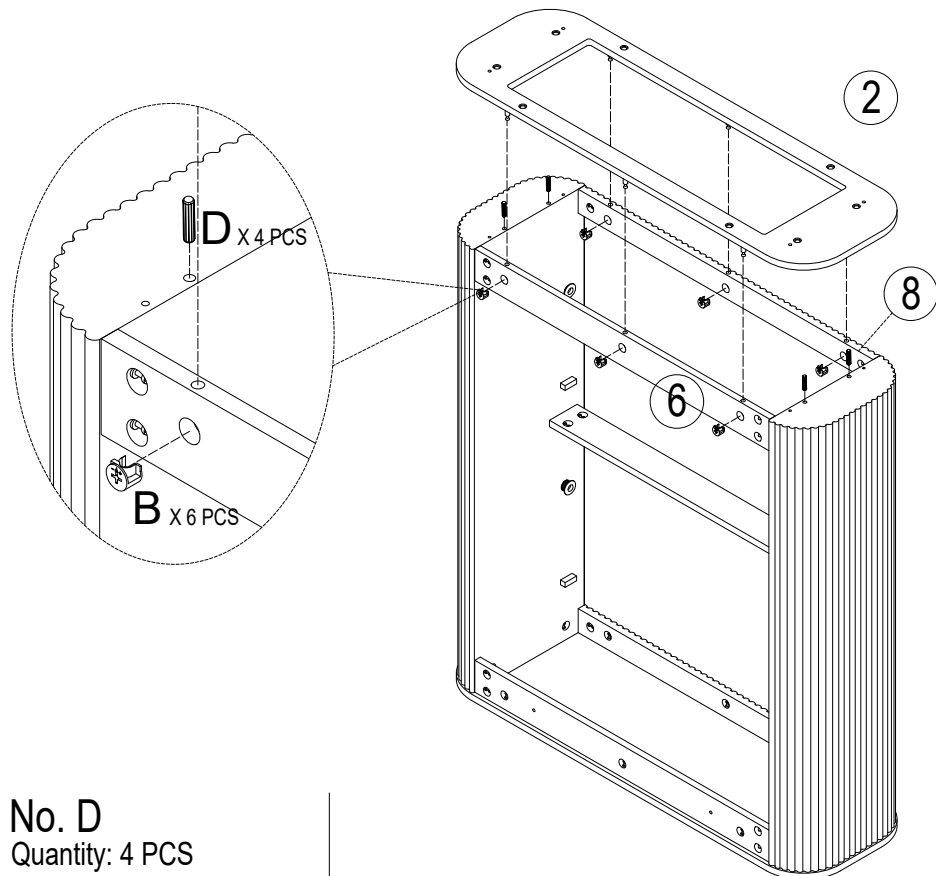
**No. B**  
Quantity: 10 PCS  
Cam  
ø15x9.5mm



**No. D**  
Quantity: 4 PCS  
Dowel  
ø6x30mm



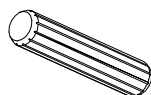
# STET 8



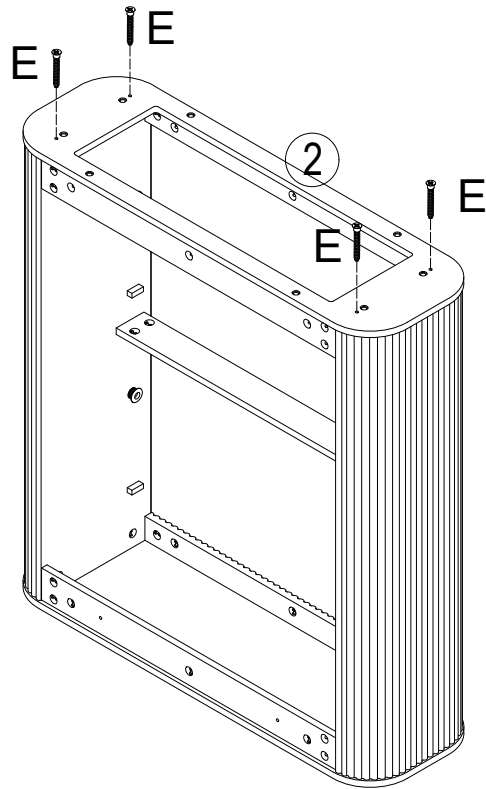
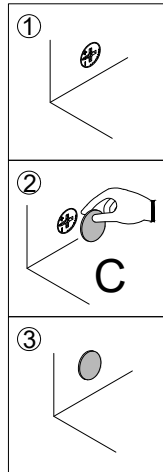
**No. B**  
Quantity: 6 PCS  
Cam  
ø15x9.5mm



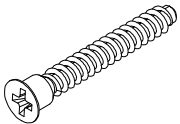
**No. D**  
Quantity: 4 PCS  
Dowel  
ø6x30mm



# STET 9



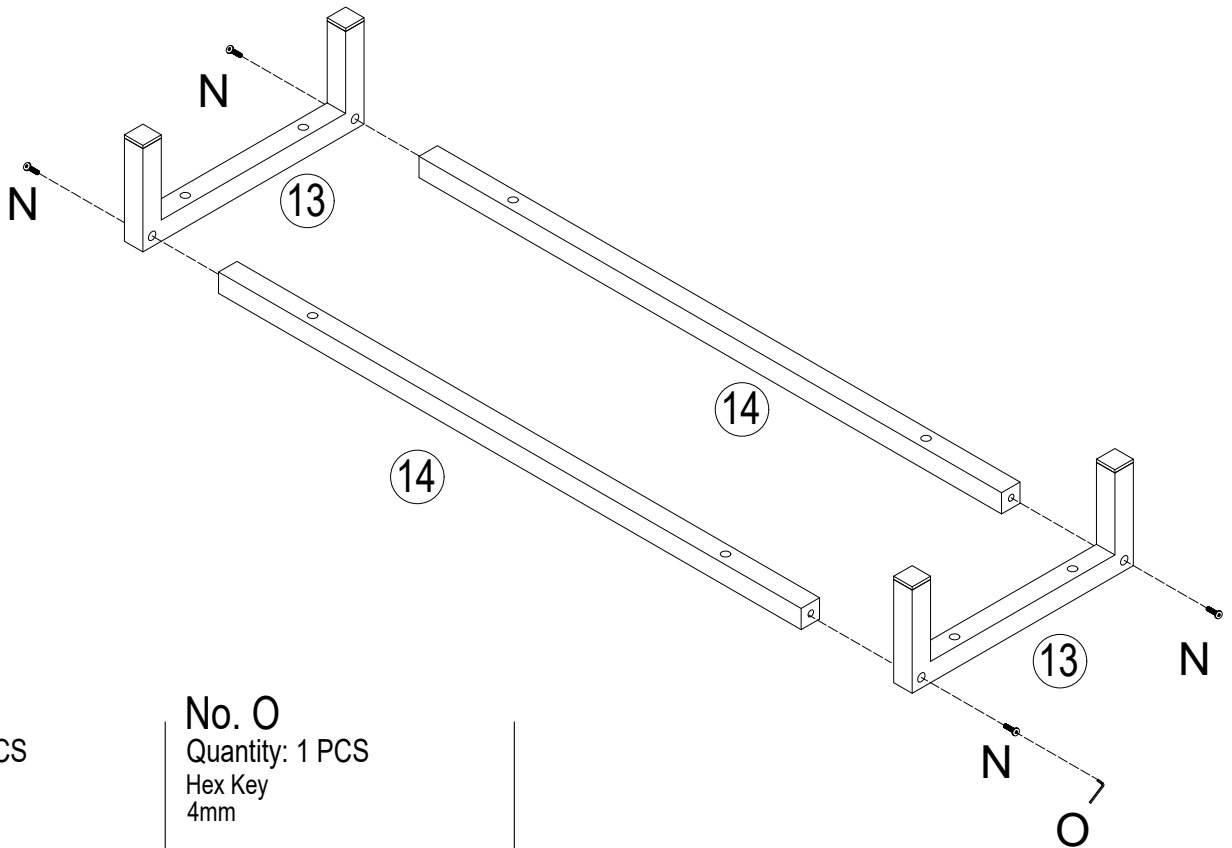
**No. E**  
Quantity: 4 PCS  
Screw  
ø5x48mm



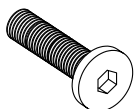
**No. C**  
Quantity: 32 PCS  
Sticker  
ø20mm



# STET 10



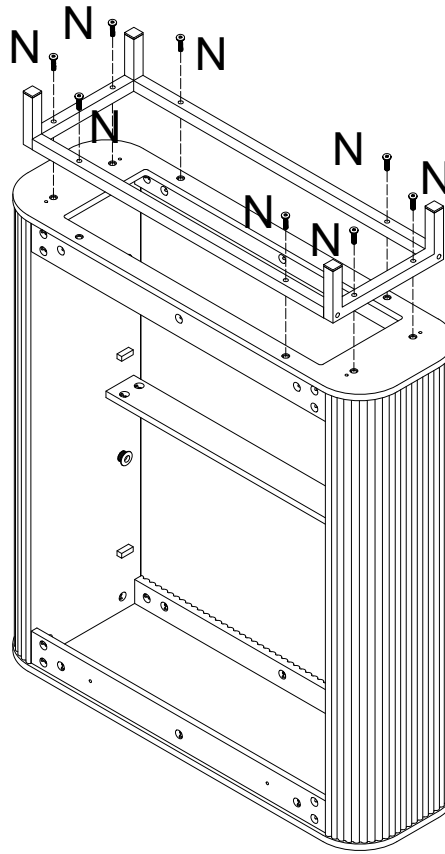
**No. N**  
Quantity: 4 PCS  
Bolt  
M6x28mm



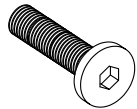
**No. O**  
Quantity: 1 PCS  
Hex Key  
4mm



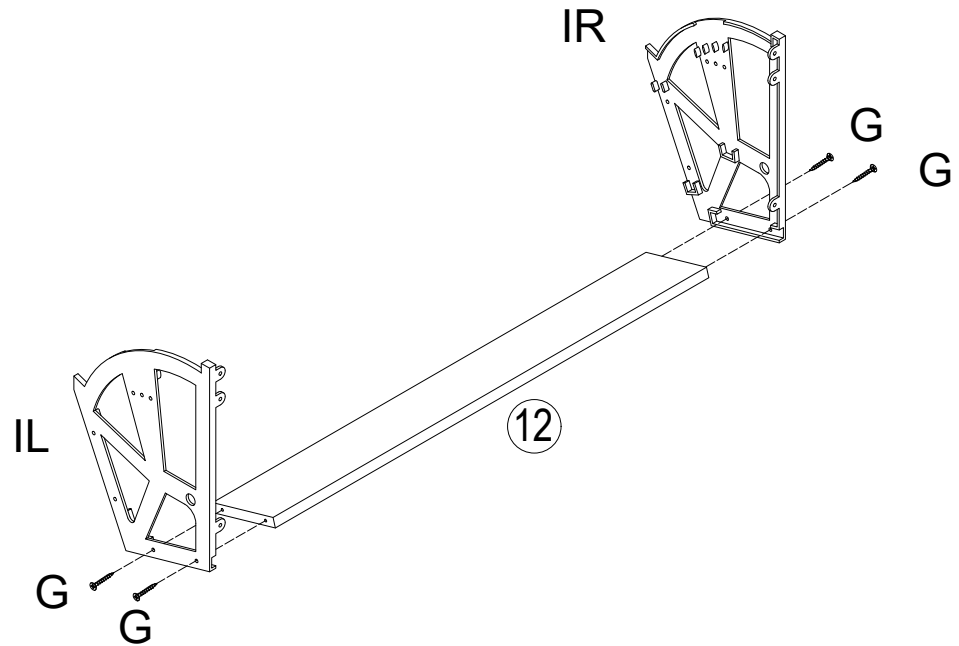
# STET 11



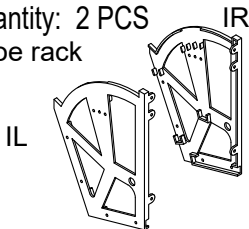
No. N  
Quantity: 8 PCS  
Bolt  
M6x28mm



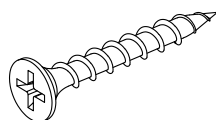
# STET 12



No. I  
Quantity: 2 PCS  
Shoe rack

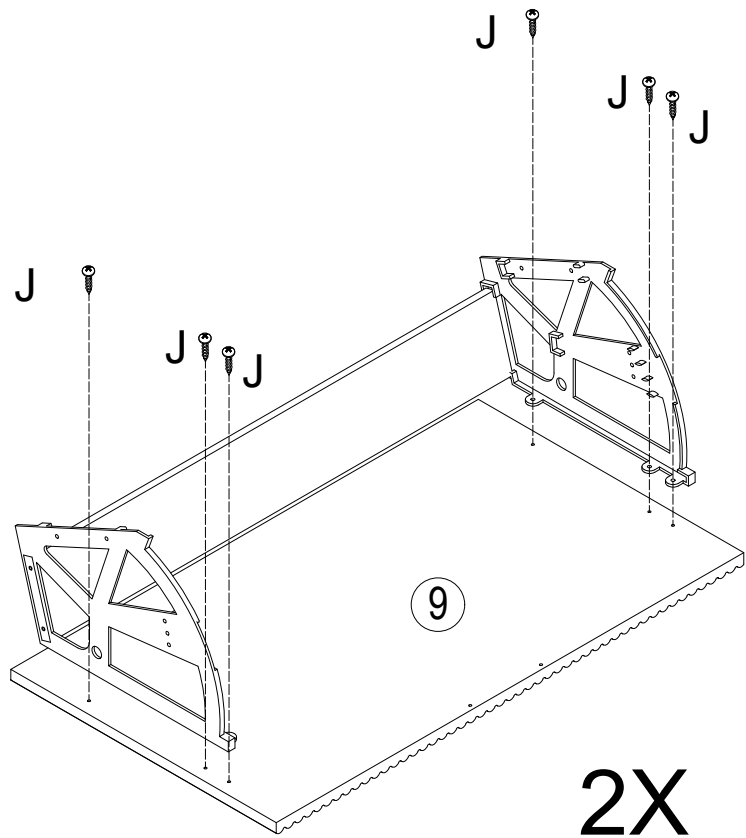


No. G  
Quantity: 8 PCS  
Screw  
ø4x25mm

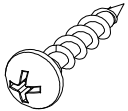


**2X**

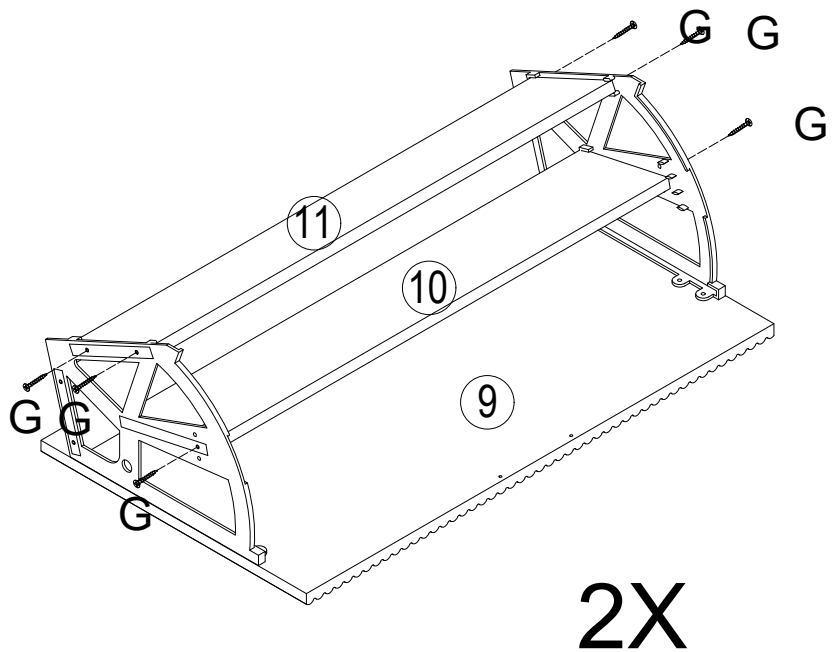
# STET 13



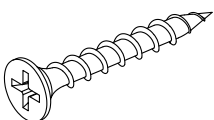
No. J  
Quantity: 12 PCS  
Screw  
ø4x16mm



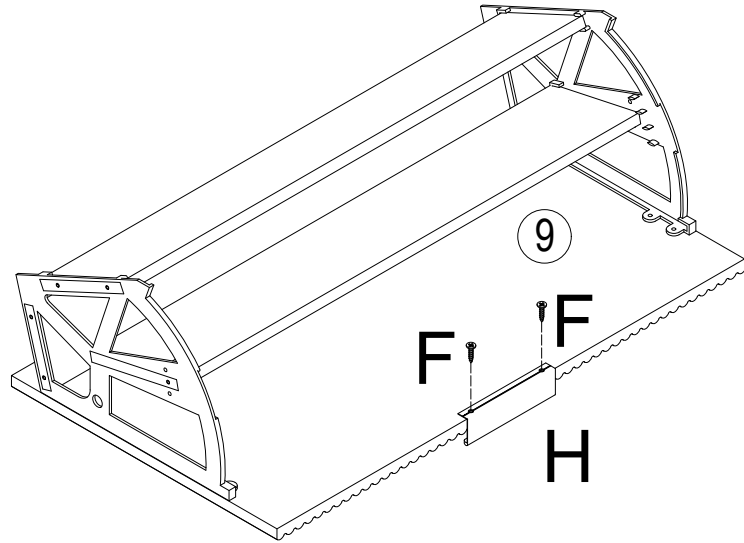
# STET 14



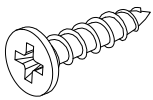
No. G  
Quantity: 12 PCS  
Screw  
ø4x25mm



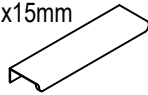
# STET 15



**No. F**  
Quantity: 4 PCS  
Screw  
ø3.5x12mm

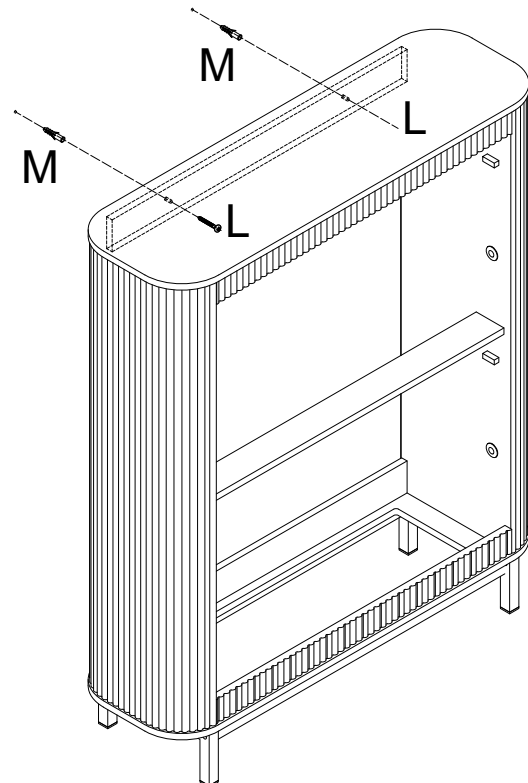
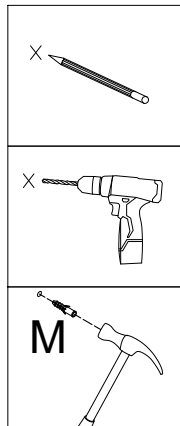


**No. H**  
Quantity: 2 PCS  
Handle  
120x40x15mm

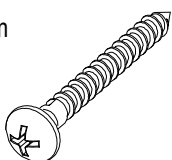


**2X**

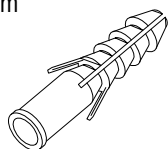
# STET 16



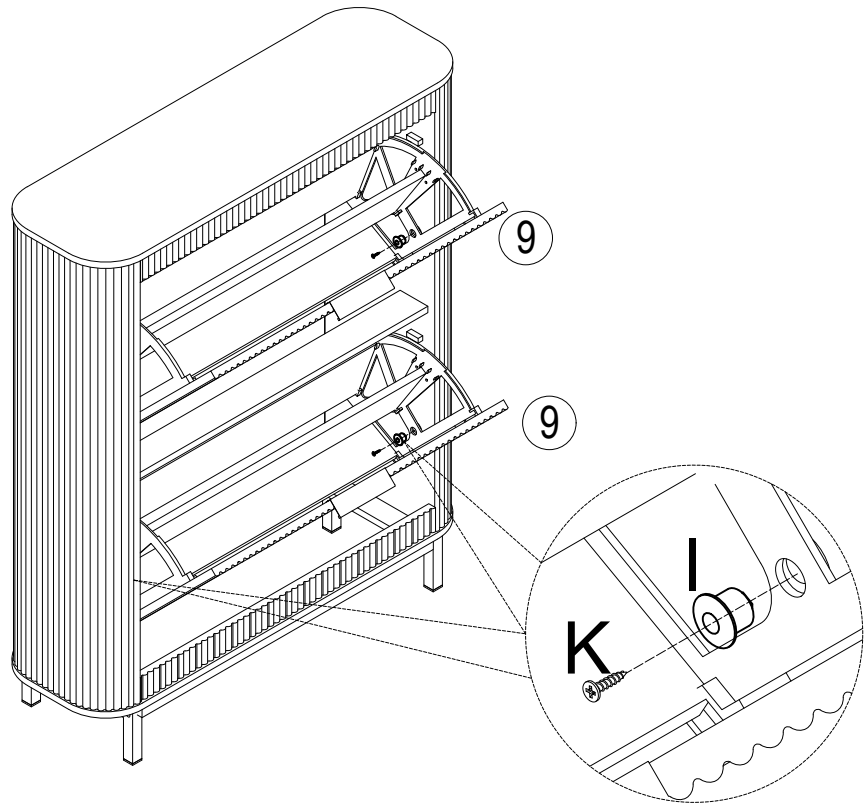
**No. L**  
Quantity: 2 PCS  
Screw  
ø4x50mm



**No. M**  
Quantity: 2 PCS  
Plastic Expansion  
ø8x40mm



# STET 17



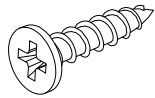
No. I

Quantity: 4 PCS  
Shoe rack



No. K

Quantity: 4 PCS  
Screw  
ø3.5x14mm



# STET 18

