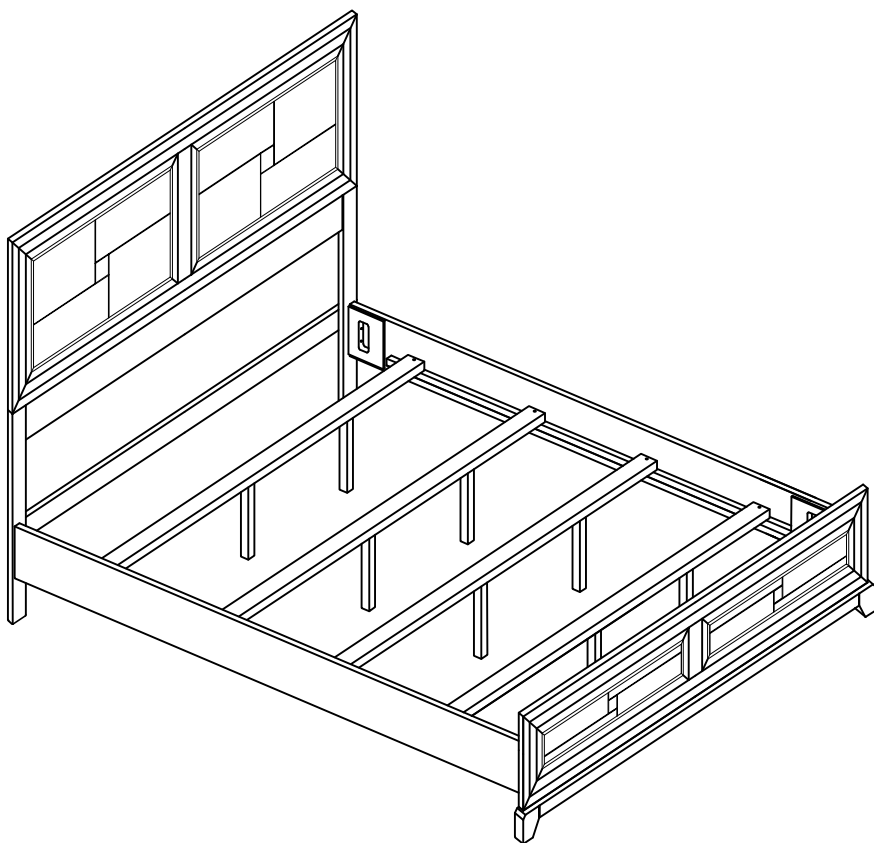


ASSEMBLY INSTRUCTIONS



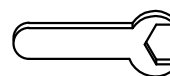
TOOLS REQUIRED



Allen Wrench
(Included)



Phillips
Screwdriver
(Not Included)



Wrench
(Included)



3 - People
Recommended

ASSEMBLY RATING



EASY —————> DIFFICULT

The Assembly Rating is a 5-point system showing the level of effort needed to assemble a specific product.



CHECK BEFORE STARTING

Are you missing anything?

Double-check all parts, hardware and accessories listed on Page 6 are accounted for.

Check out our Quick Tips!

We recommend reviewing the pre-assembly handouts. Even experts need a refresher now and then!

Should we send any replacements?

Are there any irregularities or flaws in the parts? We can send replacements!

Prep Time!

Please review the assembly instructions and all diagrams prior to assembling. Arrange parts as recommended on Page 7 and group identical hardware together to make assembling easier.

PRE ASSEMBLY INTRODUCTION

We understand building ready-to-assemble furniture can be a challenging experience for some. To help avoid confusion, we have provided some helpful tips that may speed up the process.



Teamwork

ALWAYS have at least two people to help with transporting and assembling the product to avoid potential injury and/or damage.



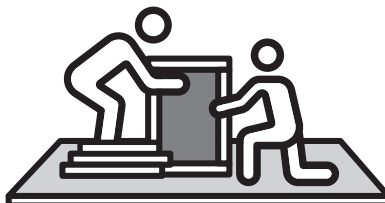
Suitable Location

Assembling near the area of the intended location is highly recommended.



Sufficient Space

Make sure you have enough space to move around during the assembly.



Avoid Scratches

Use cardboard, blankets or a carpeted area while assembling furniture to prevent scratches.



Flat Surface

Make sure the furniture rests on a flat and level surface with each leg evenly touching the floor.

ASSEMBLY AND CARE ADVICE



**FAILURE TO FOLLOW THE GUIDELINES BELOW MAY
RESULT IN INJURY AND/OR PROPERTY DAMAGE.**



Position each part correctly
and insert screws or bolts into
their respective holes.



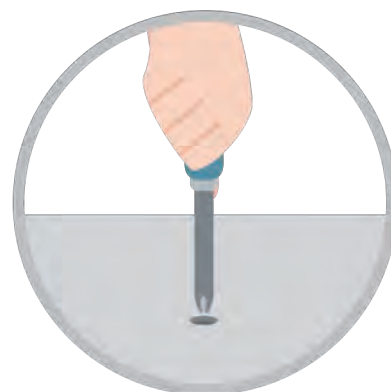
Turn clockwise to tighten and
only tighten when step is
completed or when instructed
to do so.



Use the appropriate hand tools
or power tools for assembly.
Select steps, such as tightening
screws and/or bolts, may require
hand tools to avoid causing
damage during assembly.



Save the instructions and store
any supplied tools for later
maintenance.



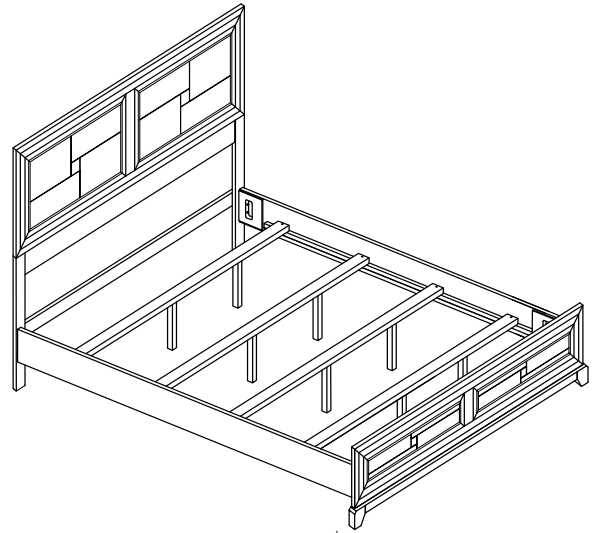
After two weeks, check and
tighten any loose hardware and
repeat again every six months
thereafter.

IT IS THE USER'S RESPONSIBILITY TO MAINTAIN THE FURNITURE. THE HARDWARE MAY LOOSEN OVER TIME AND MAY CAUSE THE FURNITURE TO BE WOBBLY AND UNABLE TO SUPPORT ITS INTENDED WEIGHT CAPACITY. THIS MAY LEAD TO COLLAPSE AND MAY CAUSE SERIOUS INJURY.

BED

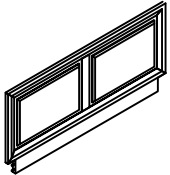


- Please keep instructions for future reference.
- Check the quantity and irregularity of parts and hardware before you start.



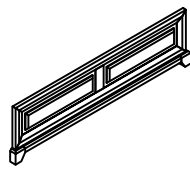
PARTS

#1 1pc



Headboard

#2 1pc



Footboard

#3 4pcs



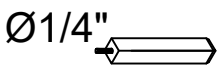
Slat

#4 2pcs



Side Rail

#5 8pcs



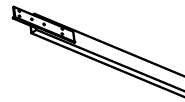
Support Leg
170x30x30mm

#6 1pc



Headboard Down Rail

#7 2pcs



Headboard Legs

HARDWARE

#A 10pcs



Bolt Ø5/16" x 1-3/4"

#B 10pcs



Lock Washer Ø5/16"

#C 10pcs



Flat Washer Ø5/16"

#D 8pcs



Threaded Stud Ø5/16"x3"

#E 8pcs



Hex Nut Ø5/16"

#F 8pcs



Lock Washer Ø5/16"

#G 8pcs



Flat Washer Ø5/16"

#H 8pcs



Screw #8 x 25mm

#I 1pc

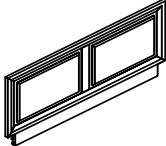




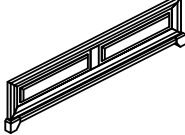

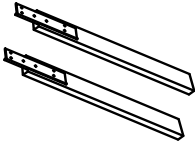
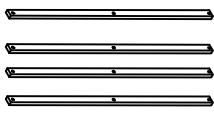





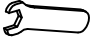
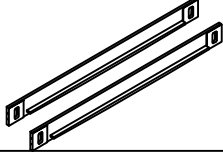
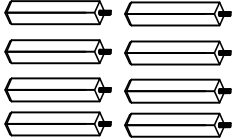


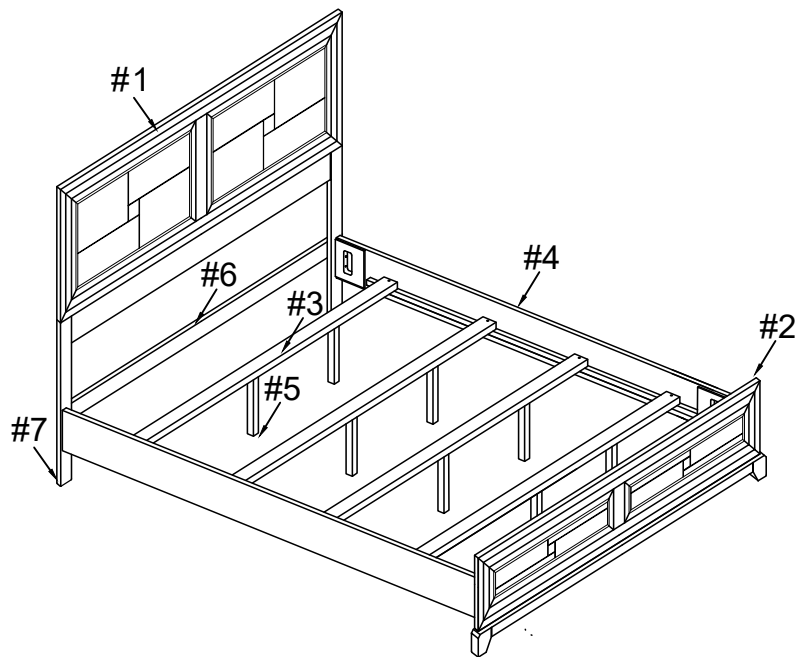
Allen Wrench M4

#J 1pc



Wrench

Carton	Disignation	Part		Hardware
	Headboard	#1		 #A 10pcs  #B 10pcs  #C 10pcs  #I 1pc
	Footboard	#2		
	Headboard Down Rail	#6		
	Headboard Legs	#7		
	Slat	#3		 #D 8pcs  #E 8pcs  #F 8pcs  #G 8pcs  #H 8pcs  #J 1pc
	Side Rail	#4		
	Support Leg	#5		

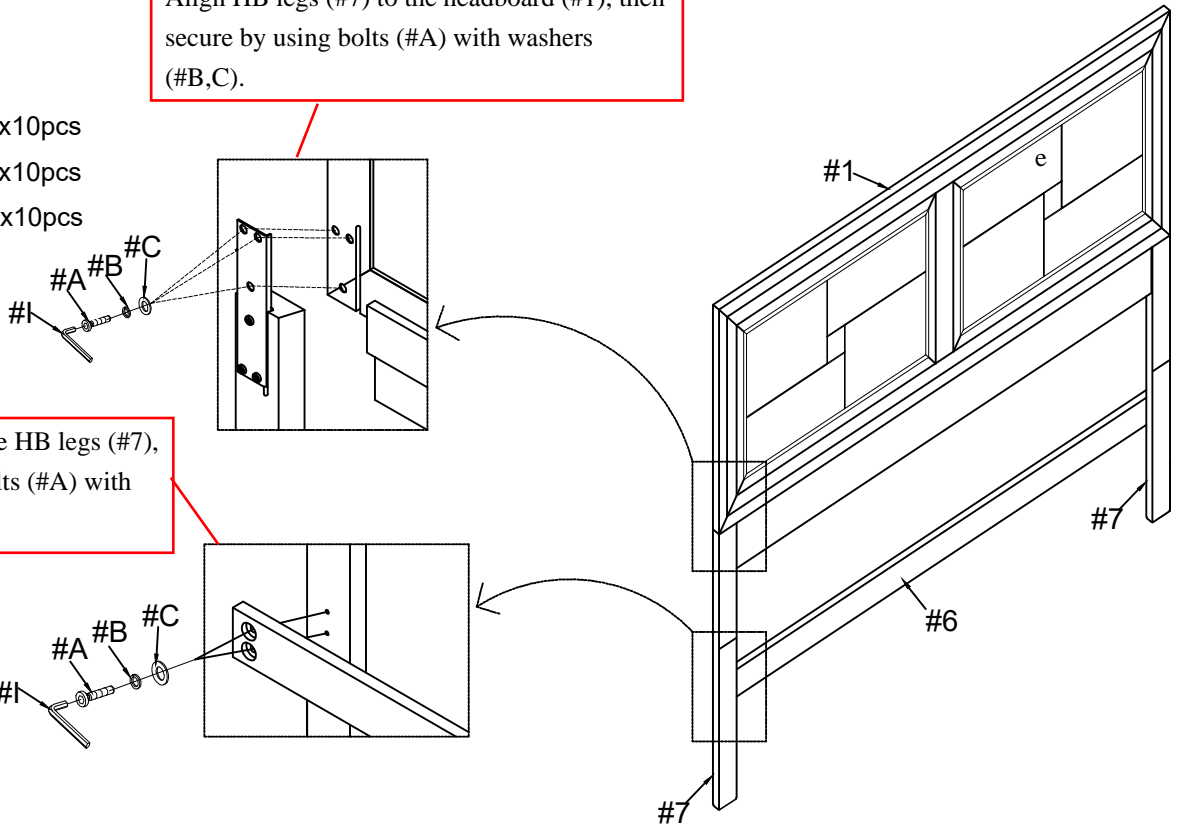


ASSEMBLY INSTRUCTIONS

1

- Part #1 x1pc
- Part #6 x1pc
- Part #7 x2pcs
- Hardware #A x10pcs
- Hardware #B x10pcs
- Hardware #C x10pcs

Align HB legs (#7) to the headboard (#1), then secure by using bolts (#A) with washers (#B,C).

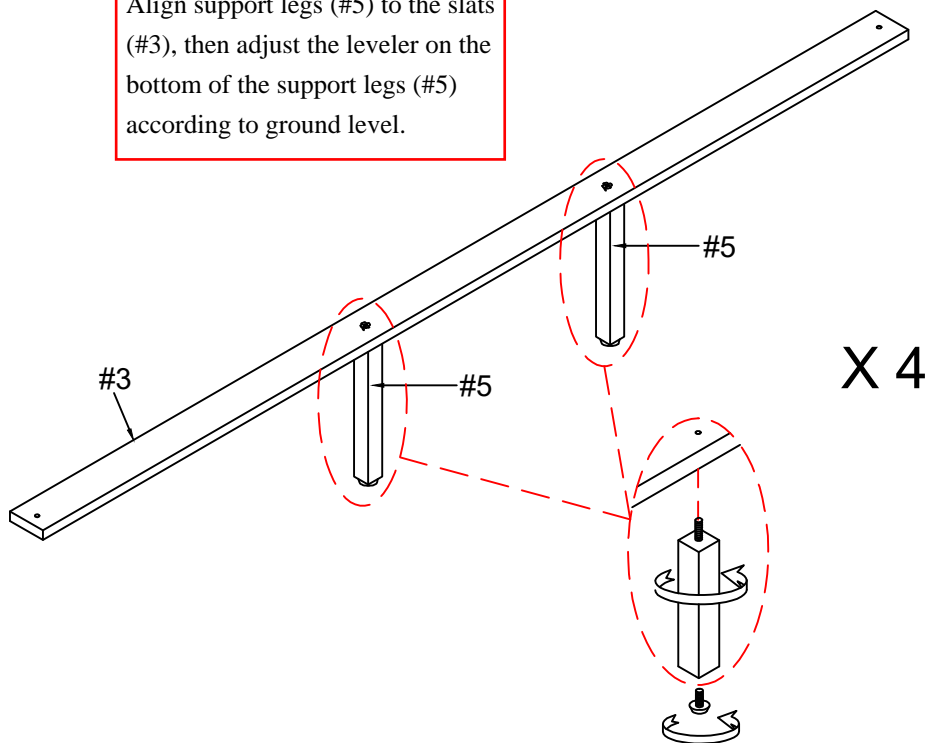


Align HB rail (#6) to the HB legs (#7), then secure by using bolts (#A) with washers (#B,C).

2

- Part #3 x4pcs
- Part #5 x8pcs

Align support legs (#5) to the slats (#3), then adjust the leveler on the bottom of the support legs (#5) according to ground level.



ASSEMBLY INSTRUCTIONS

3

Part #2 x1pc

Part #4 x2pcs

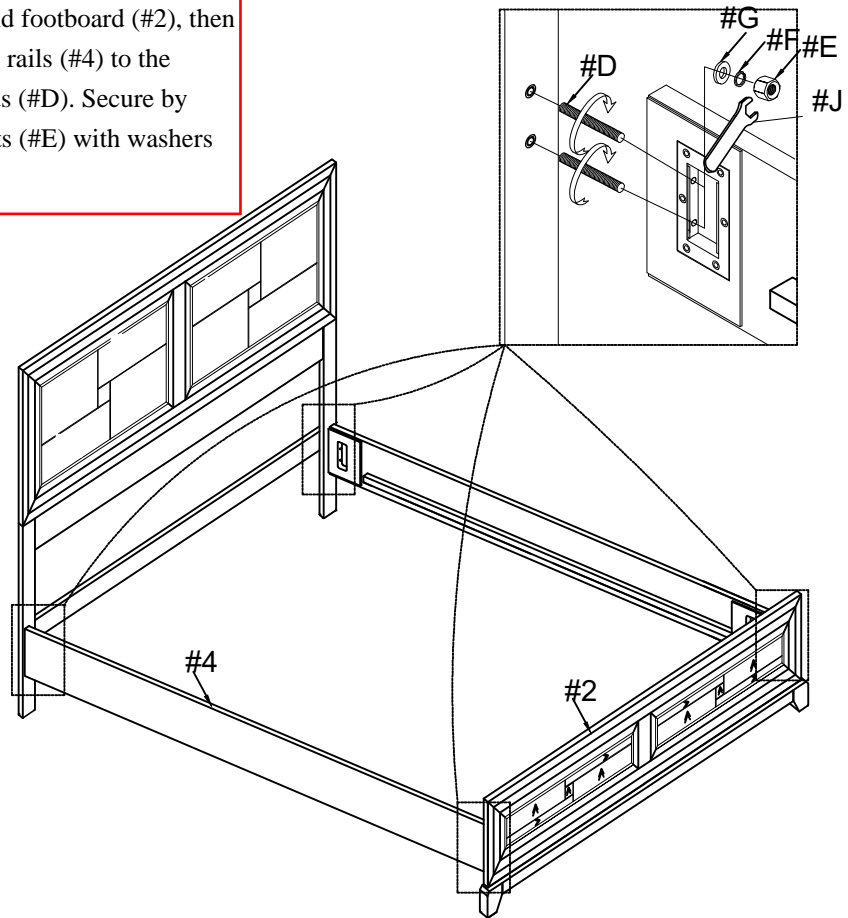
Hardware #D x8pcs

Hardware #E x8pcs

Hardware #F x8pcs

Hardware #G x8pcs

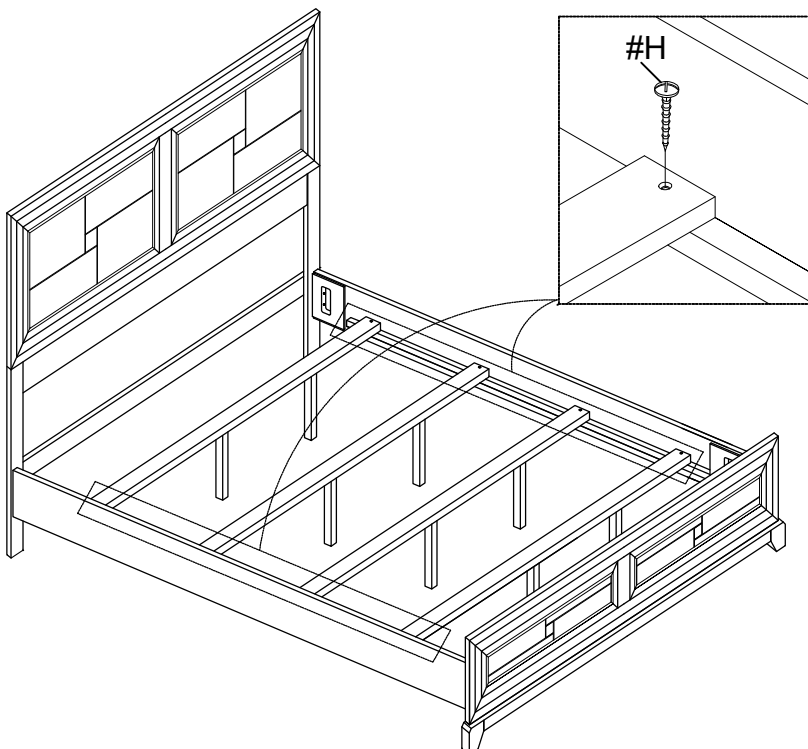
Attach threaded studs (#D) to the headboard and footboard (#2), then align the side rails (#4) to the threaded studs (#D). Secure by using hex nuts (#E) with washers (#F,G).



4

Hardware #H x8pcs

Align slats to the side rails, then secure by using screws (#H).



ASSEMBLY COMPLETED



Please ensure the furniture rests on an even and flat surface. If the product wobbles or feels loose, double-check all bolts and/or screws are properly tightened and secured.

Keep this handy!

Please retain this instruction manual and any order-related information for future reference.

Lift, don't drag!

To avoid damage to product please always LIFT the product when transporting or adjusting the placement.