



Leaders in Reception Seating

Lesro Industries, Inc.  
1 Griffin Road South  
Bloomfield, CT  
06002

Phone  
860.243.3226  
Fax  
860.243.5392  
www.lesro.com

# Assembly Instructions For Mystic Bariatric Chairs

**Tools required:** 9/16" ratchet, Phillips screwdriver, Allen wrenches (included in hardware pack)

**Note:** These instructions are intended for various models and configurations, with and without arms. Your products may not look exactly as those shown in the diagrams.

**Important:** The assembly process requires that some hardware be kept loose until later in the sequence. Follow these instructions closely to ensure correct assembly.

**Recommendation:** Retighten all bolts on a seasonal basis to ensure your product remains strong and stable for many years of use.

**Weight Capacity:** Mystic Bariatric chairs have a weight capacity of 750 lbs., unless otherwise stated.

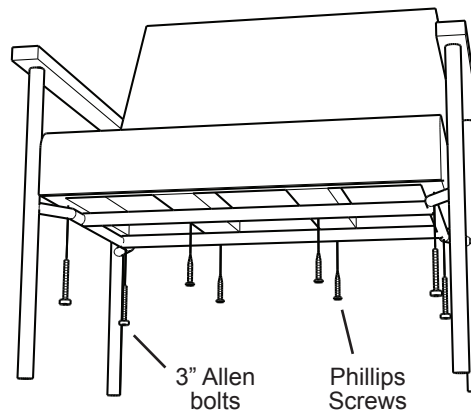
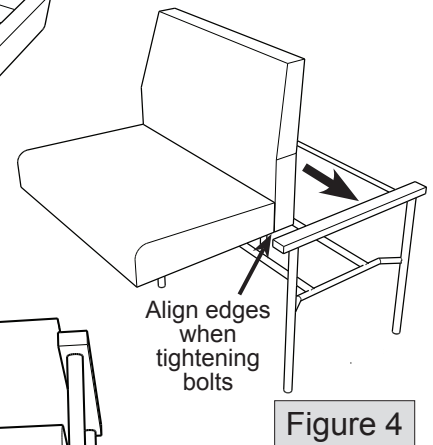
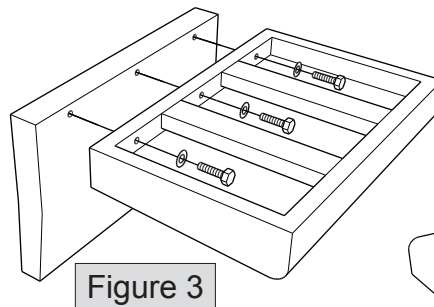
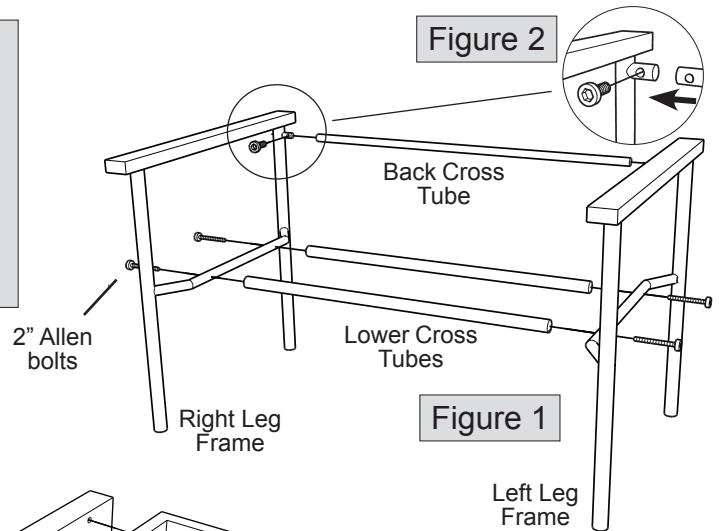
## Parts List

Leg Frames, left & right  
Lower Cross Tubes (1" dia), 2 pcs.  
Back Cross Tube (1/2" dia)  
Seat Cushion  
Back Cushion

## Hardware Pack

2" Allen Bolts, 4 pcs.  
1/2" Allen Bolts, 2 pcs.  
3" Hex Bolts, 3 pcs.  
Washers, 3 pcs.  
3" Allen Bolts, 4 pcs.  
2" Phillips Screws, 4 pcs.  
Allen Wrenches, 2 pcs.

1. Unpack and identify all parts.
2. Connect lower cross tube between left and right leg frames using 2" Allen bolts, as shown in figure 1. Keep these bolts loose for now.
3. Connect back cross tube between leg frames using 1/2" Allen bolts, as shown in figures 1 and 2. Align holes and insert bolts from front of chair. Tighten these 2 bolts securely.
4. Chair frame can be set aside for time being.
5. Attach seat cushion to back cushion using 3" hex bolts and washers, as shown in figure 3. Keep these bolts loose for now.
6. Set cushion assembly into chair frame, as shown in figure 4. Align holes in frame with holes in cushion and connect using 3" Allen bolts, as shown in figure 5.
7. Tighten all bolts securely at this time, including lower cross bar bolts from step 2 and seat cushion hex bolts from step 5. Cushions should be aligned, as shown in figure 4.
8. Insert 2" Phillips screws through lower cross tubes and tighten securely to bottom of seat, as shown in figure 5. Use care not to strip.
9. Your product is now assembled and ready to use.



Thank you for purchasing a Lesro product.  
Need assistance with assembly? Call Lesro customer service 1-800-275-7545.  
Visit us online at [www.lesro.com](http://www.lesro.com)