



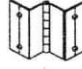










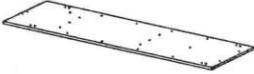
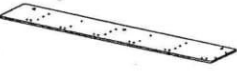

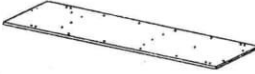
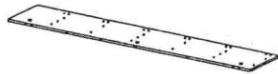



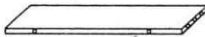
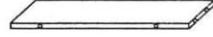


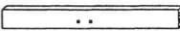
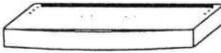
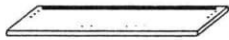
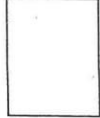
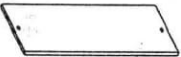
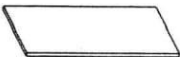
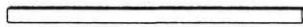


Utility Pantry

Hardware List

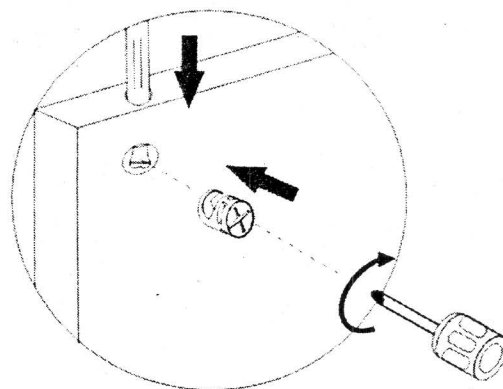
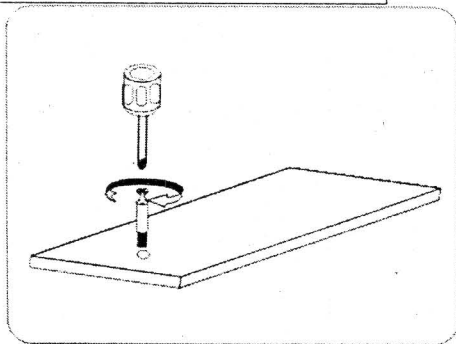
|   |   |   |  |   |  |   |   |
|---|---|---|--|---|--|---|---|
| <br><b>Ax116</b><br>(Φ 6*30mm) | <br><b>Bx2</b>   | <br><b>Cx36</b>  | <br><b>Dx40</b>                                 | <br><b>Ex4</b>   | <br><b>Fx4</b><br>(Φ 3*10mm)<br><i>Silver</i> | <br><b>Gx4</b>   | <br><b>Hx8</b><br>(Φ 3*15mm) |
| <br><b>Ix8</b>               | <br><b>Jx4</b> | <br><b>Kx4</b> | <br><b>Lx24</b><br>(Φ 3*10mm)<br><i>Black</i> | <br><b>Mx2</b> | <br><b>Nx4</b>                               | <br><b>Ox4</b> |   |

Part List

|   |  |  |   |  |
|---|--|--|---|--|
| <br><b>1x1</b>   | <br><b>2x1</b>  | <br><b>3x1</b>  | <br><b>4x1</b>  | <br><b>5x1</b>  |
| <br><b>6x1</b>   | <br><b>7x1</b>  | <br><b>8x1</b>  | <br><b>9x6</b>  | <br><b>10x6</b> |
| <br><b>11x10</b> | <br><b>12x1</b> | <br><b>13x1</b> | <br><b>14x1</b> | <br><b>15x1</b> |
| <br><b>16x2</b>  | <br><b>17x1</b> | <br><b>18x2</b> | <br><b>19x1</b> |  |

Made In China

# Assembly of camlock

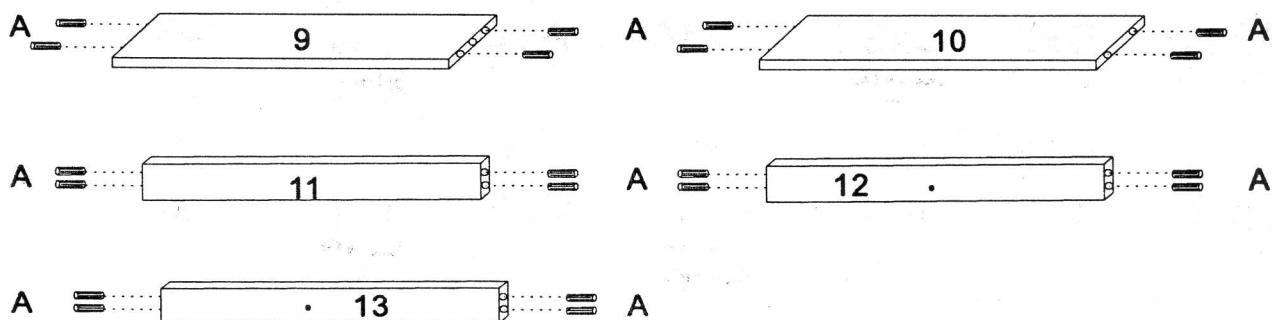


Screw camlock bolt to wood part

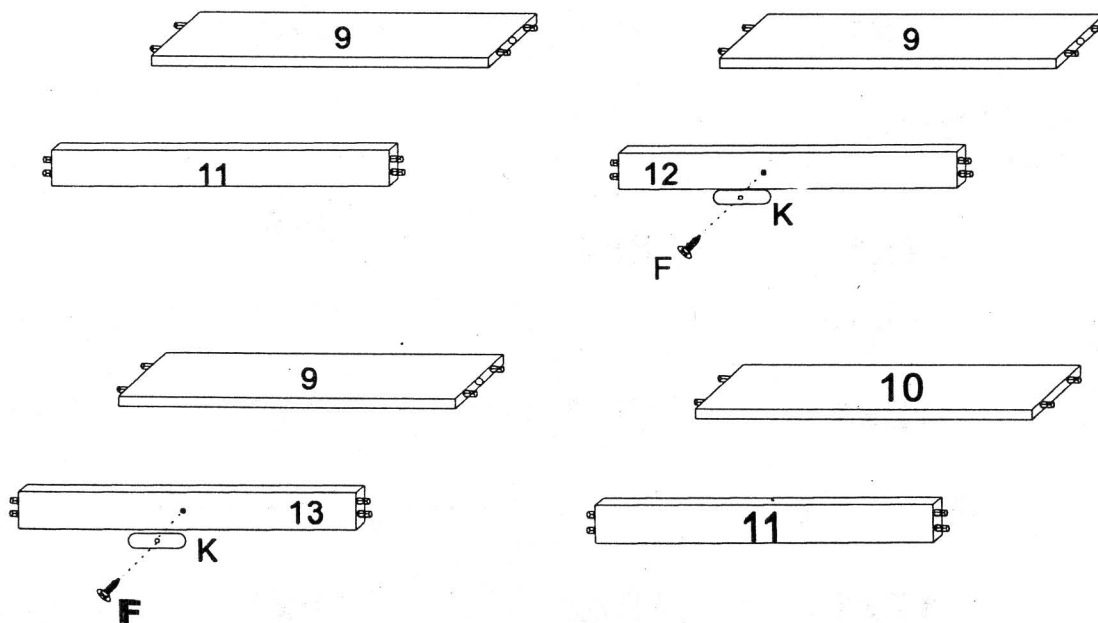
Do not tighten camlock unless is instructed

To assemble camlock , ensure long side of the + is facing the bolt before inserting into hole

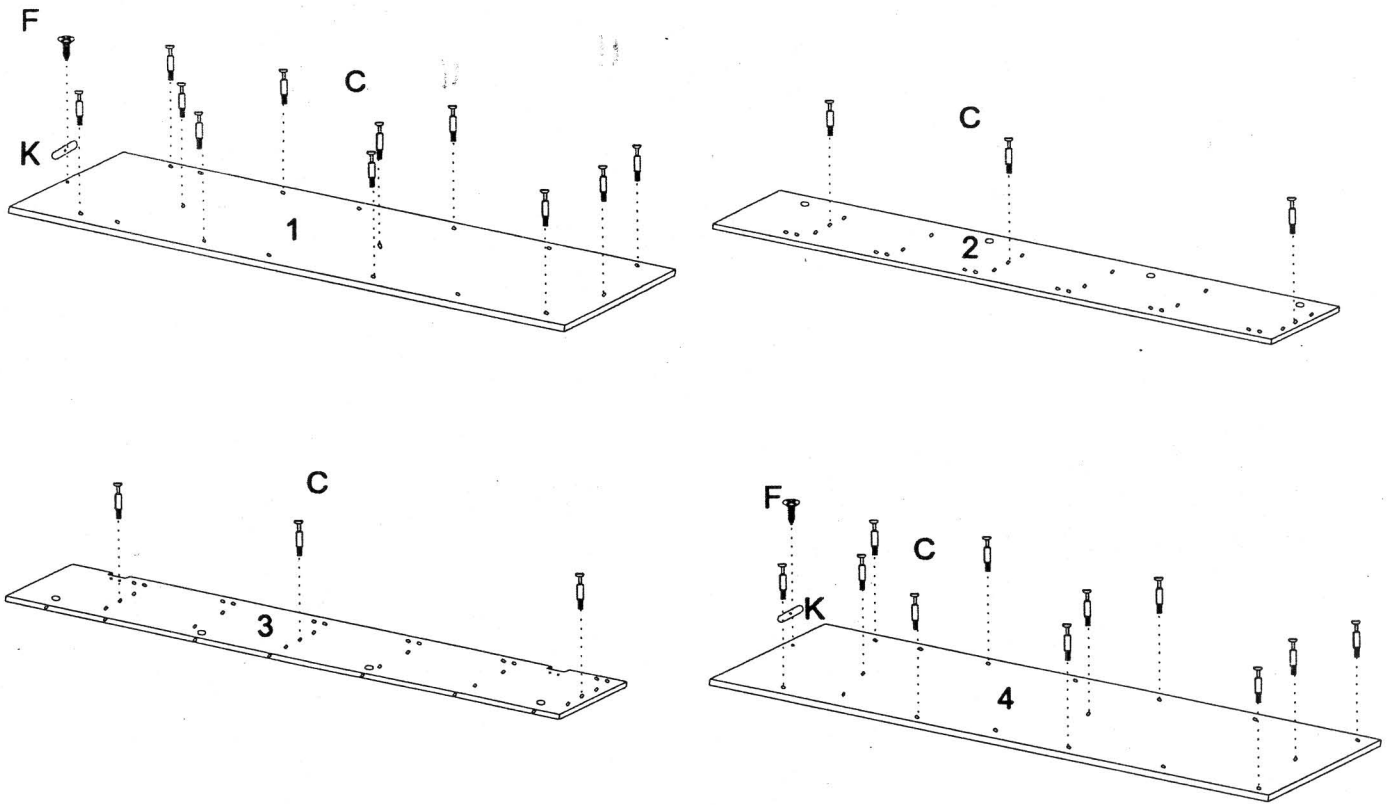
## STEP 1



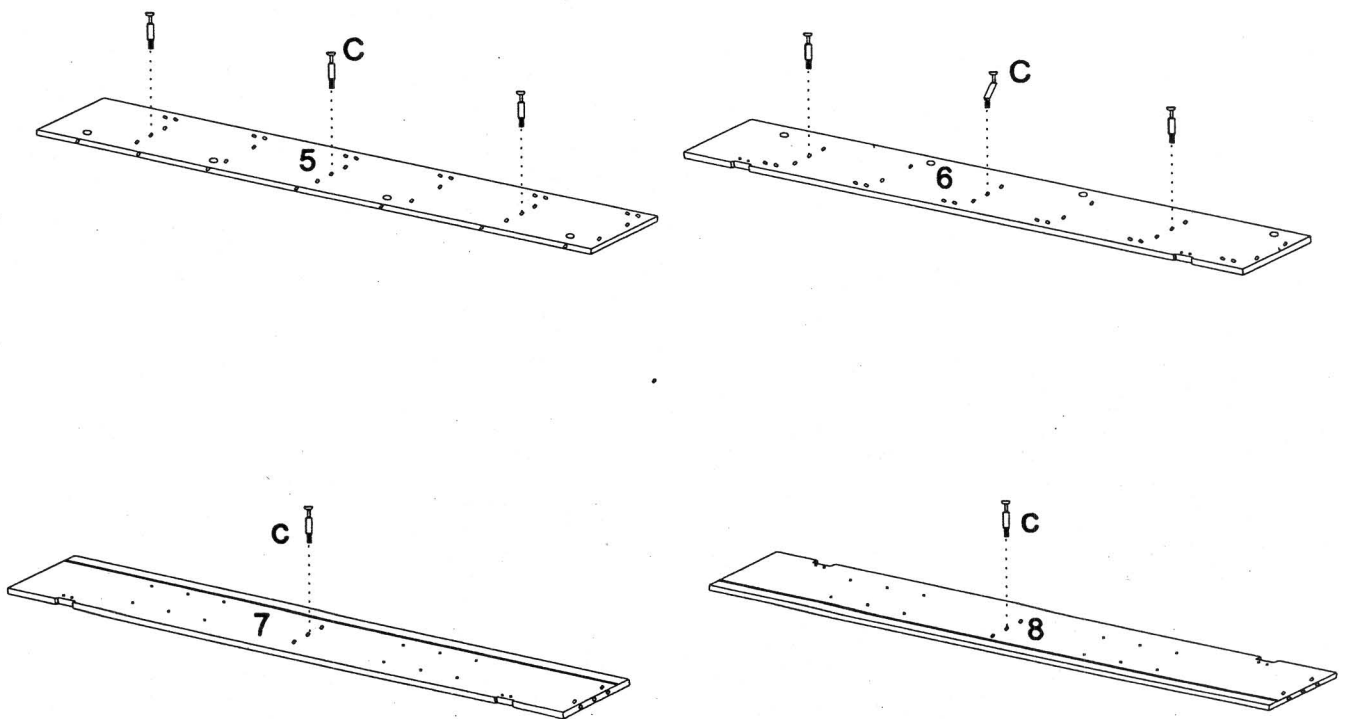
## STEP 2



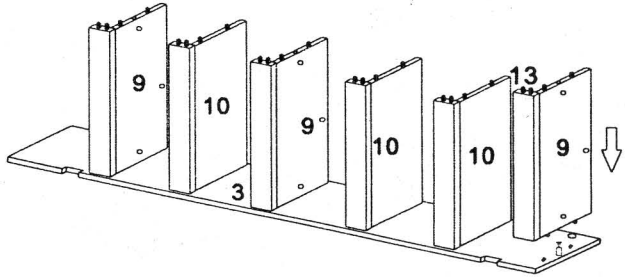
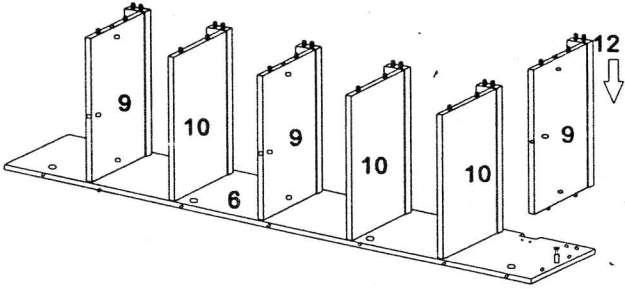
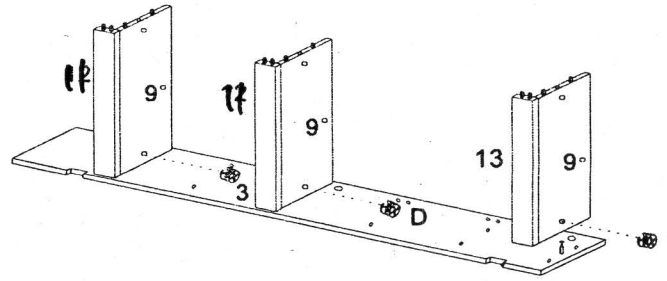
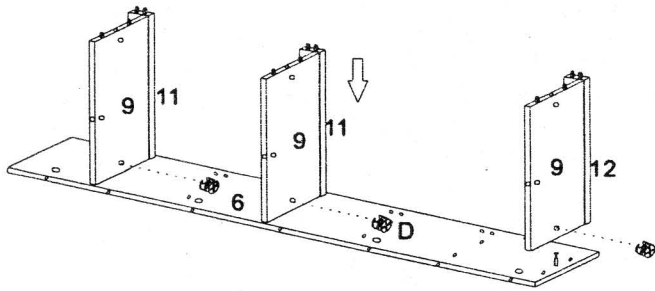
### STEP 3



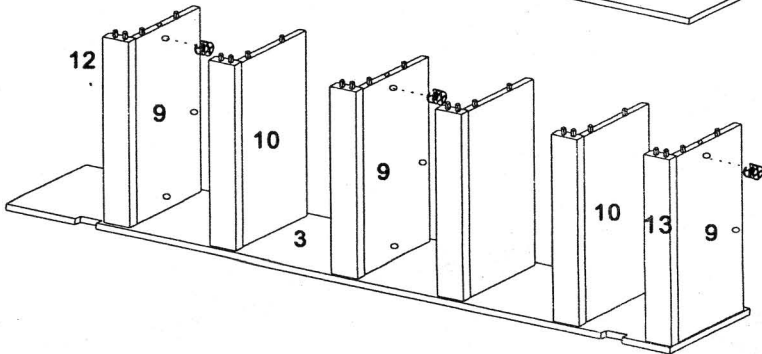
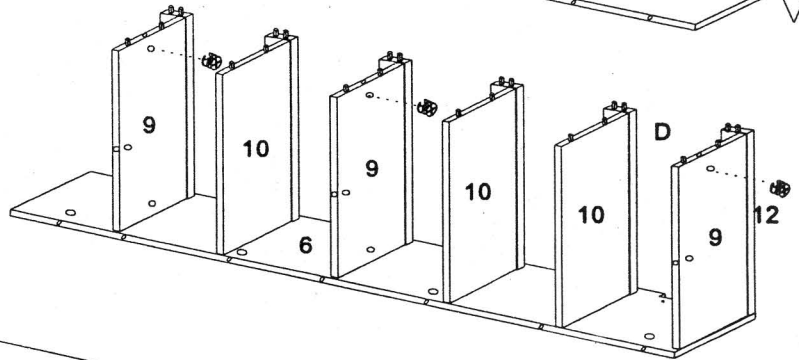
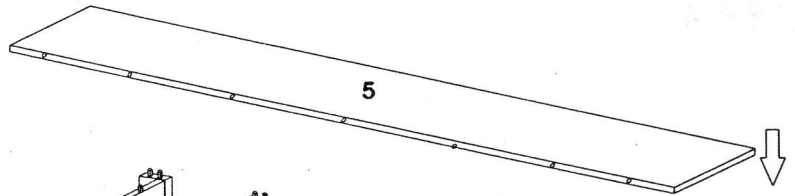
### STEP 4



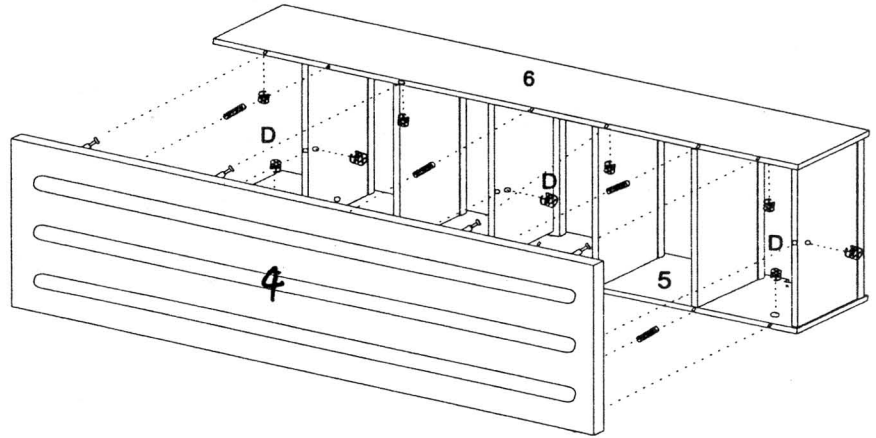
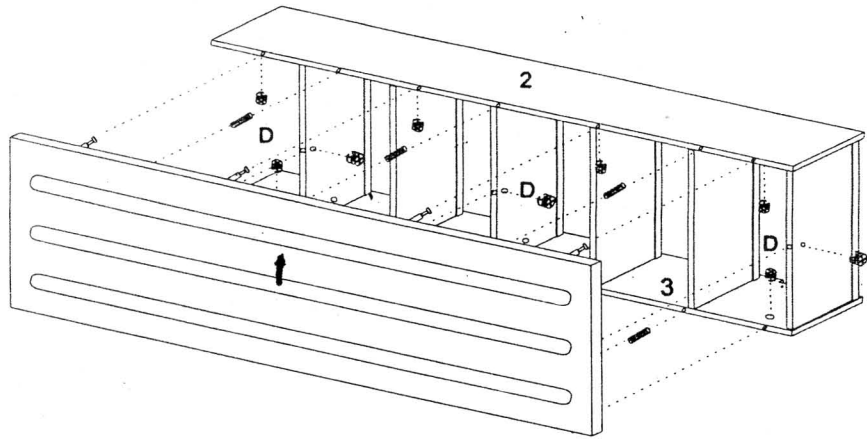
# STEP 5



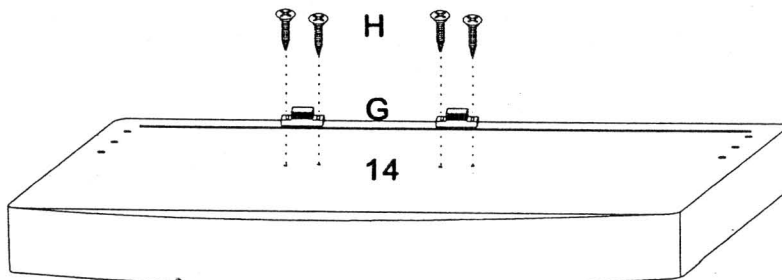
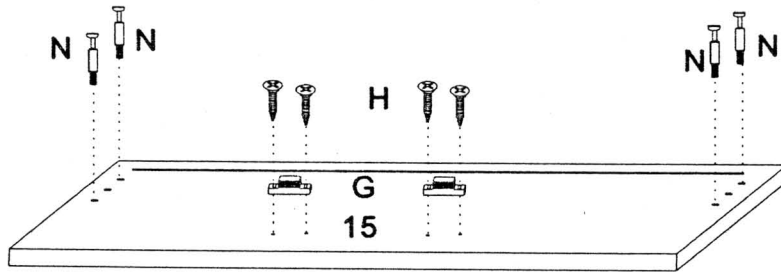
# STEP 6



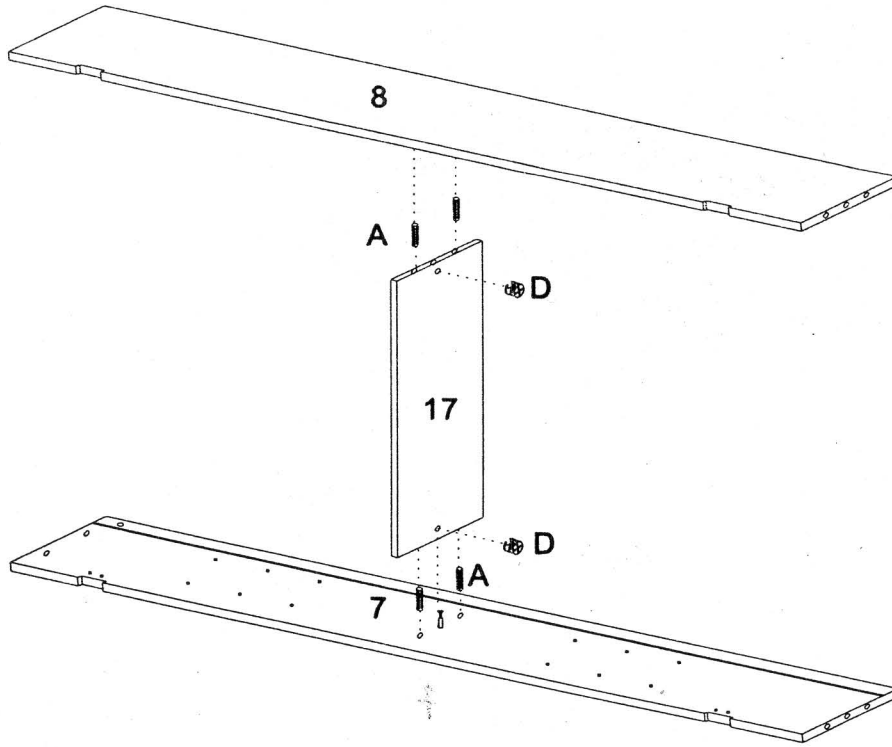
STEP 7



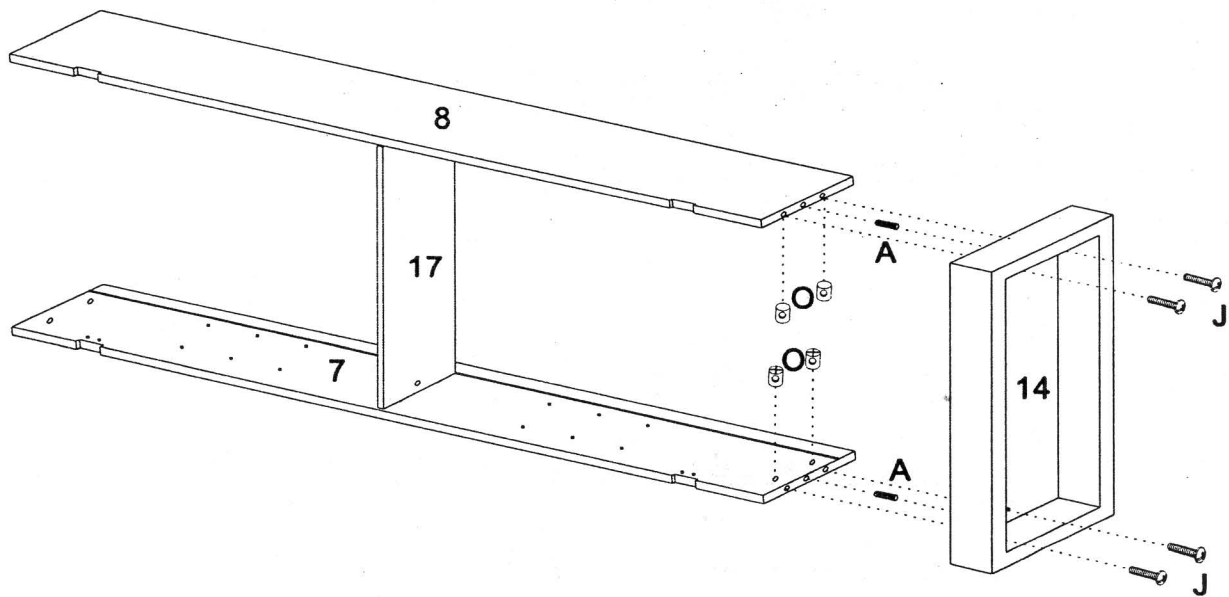
STEP 8



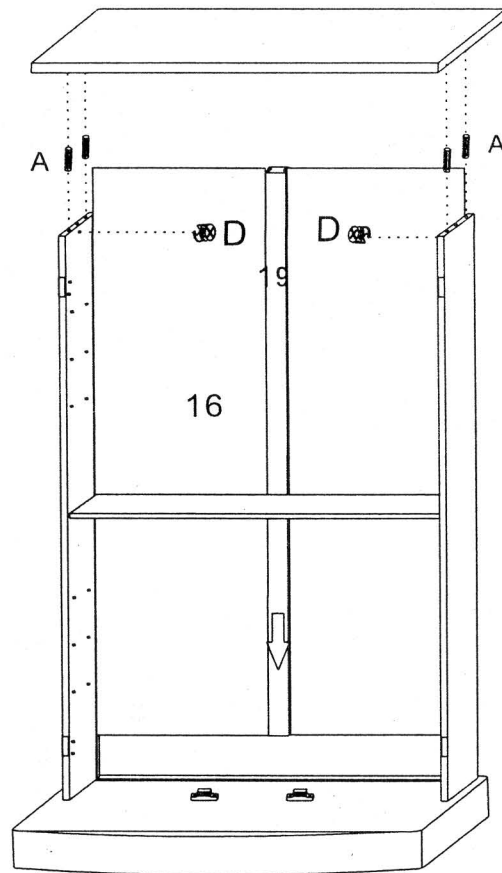
STEP 9



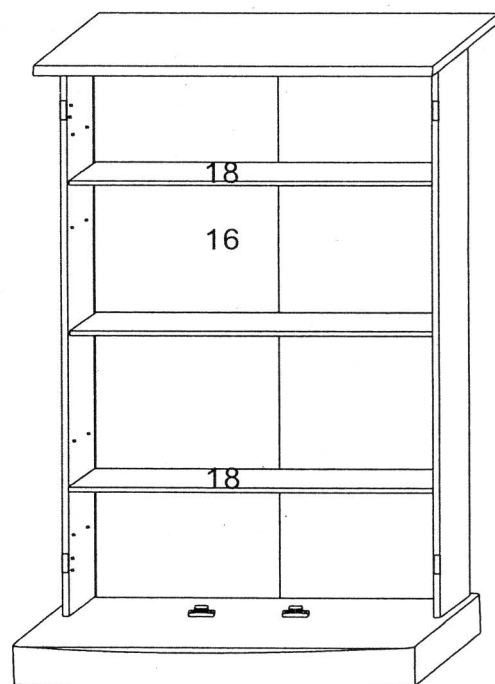
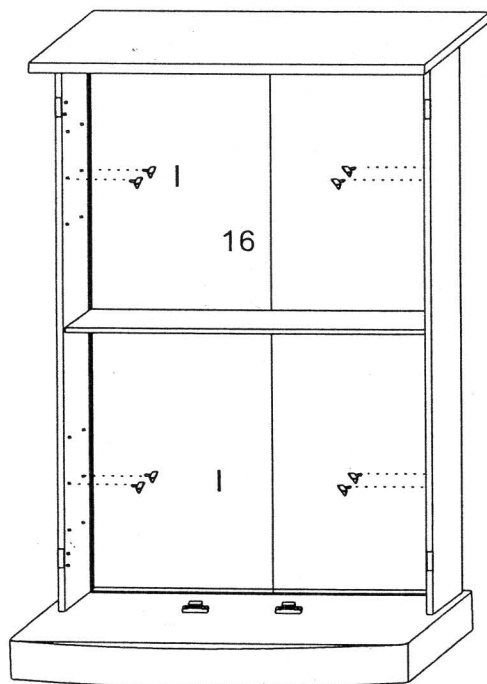
STEP 10



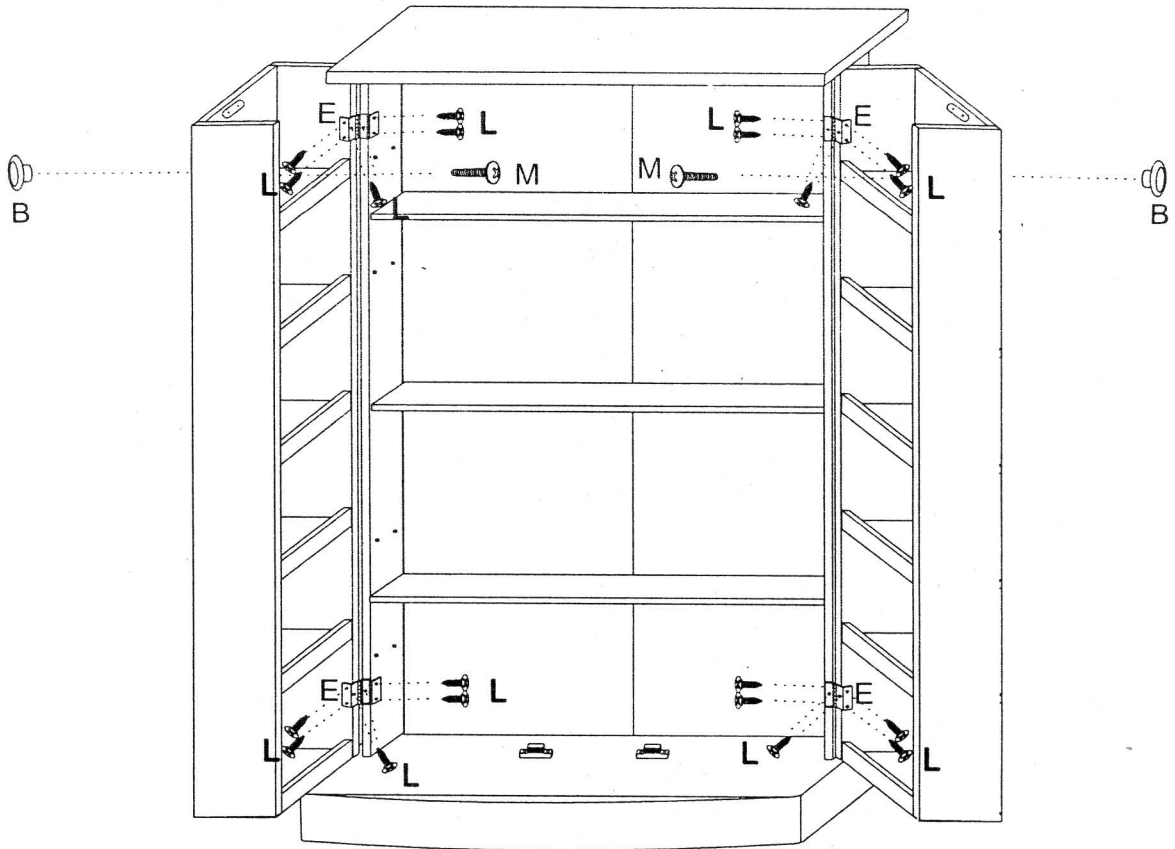
# STEP 11



# STEP 12



STEP 13



STEP 14

