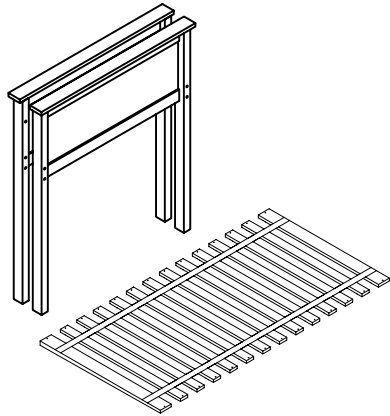
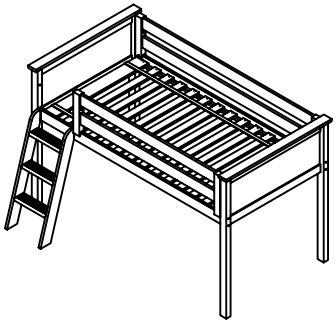
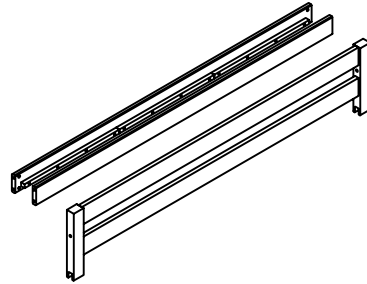


# LOW LOFT BED

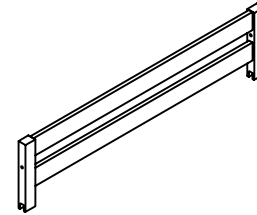
“Cartons needed to assemble this bed”



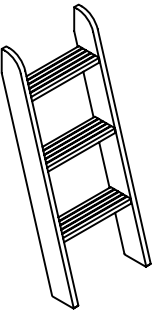
+



+

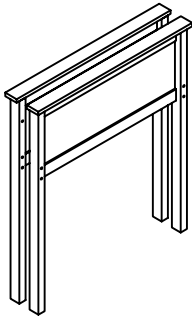
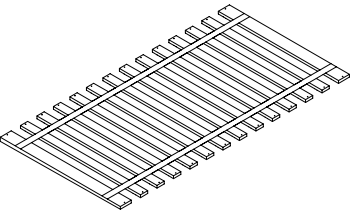
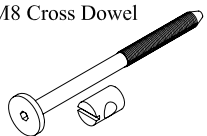

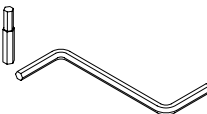



+

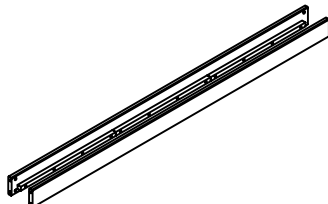
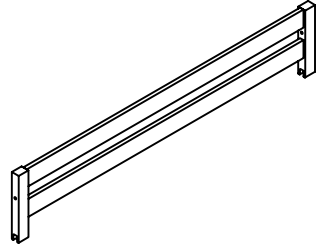






# ASSEMBLY INSTRUCTION

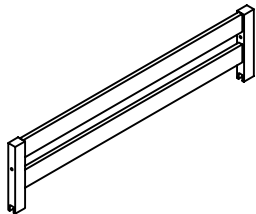
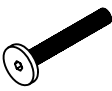




## LOW LOFT BED ENDS AND SLATS

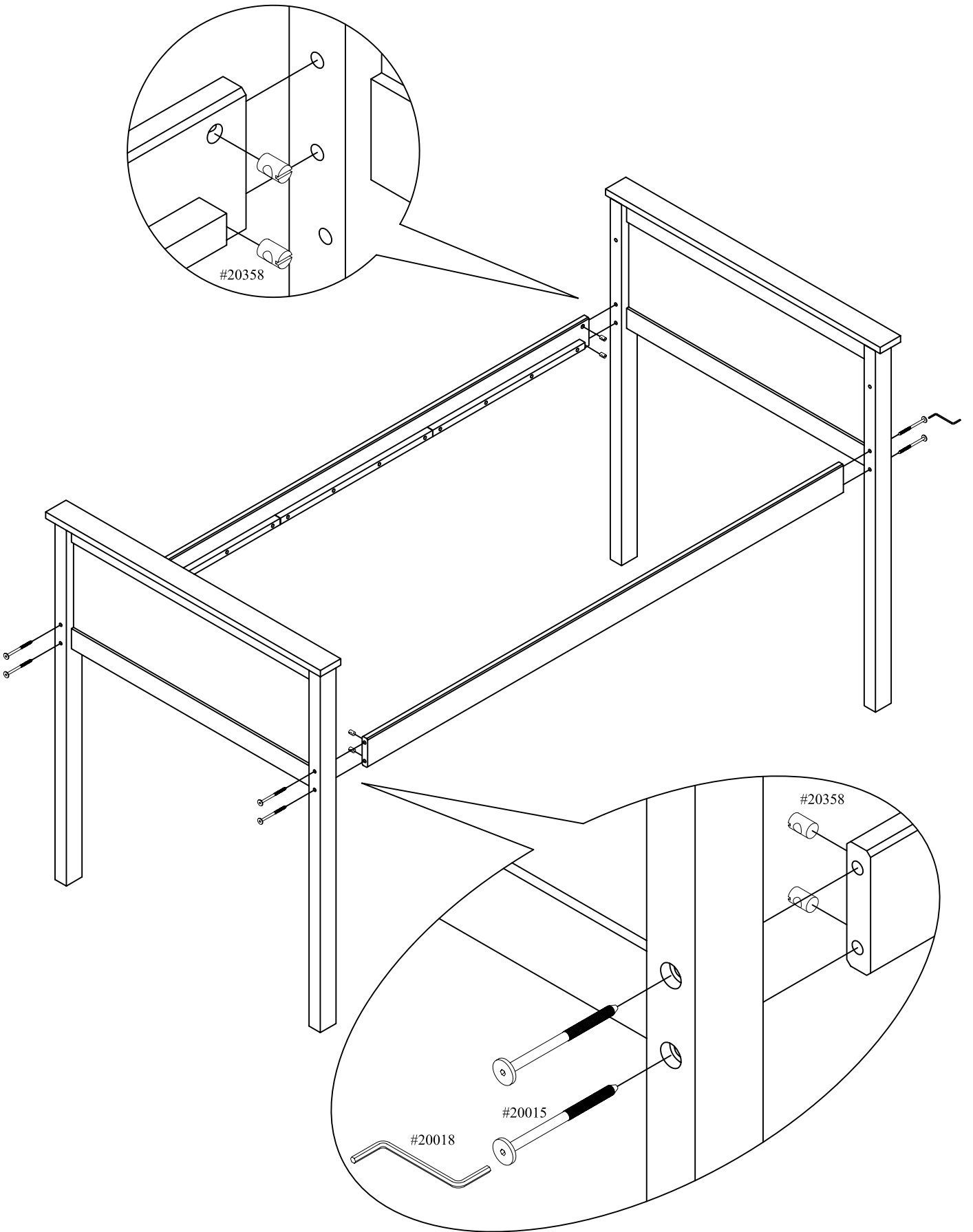
<p>Low loft bed ends</p> 	<p>2</p>	<p>Slats</p> 	<p>14 x slats</p>	<p>#20015:M8 110mm hex head bolt #20358: M8 Cross Dowel</p> 	<p>8 x #20015 8 x #20358</p>
<p>#22139</p> 	<p>8 x #22139</p>	<p>#20042: Drill Bit #20018: Hex Wrench 5mm</p> 	<p>1 x #20042 1 x #20018</p>	<p>#20022: Wood Slat Screw</p> 	<p>28 x #20022</p>

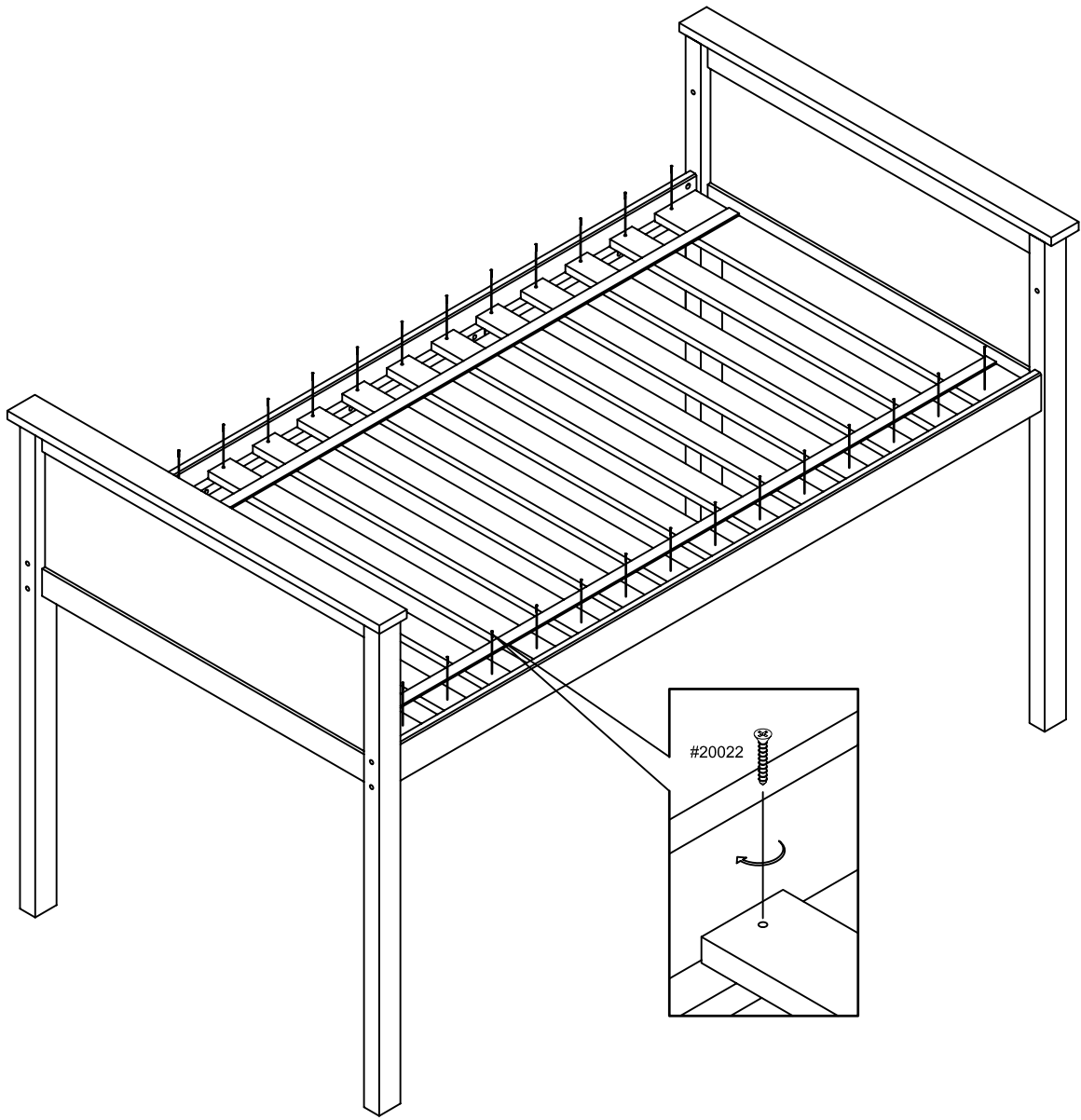
## BED SIDE RAILS AND BACK RAILS

<p>Bed side rail</p> 	<p>1 x set</p>	<p>Back guard rail</p> 	<p>1</p>	<p>#22009:M8 78mm hex bolt</p> 	<p>2 x #22009</p>
<p>#20018: Hex Wrench 5mm</p> 	<p>1 x #20018</p>	<p>#22139</p> 	<p>2 x #22139</p>	<p>#20343:25mm wood screw</p> 	<p>6 x #20343</p>

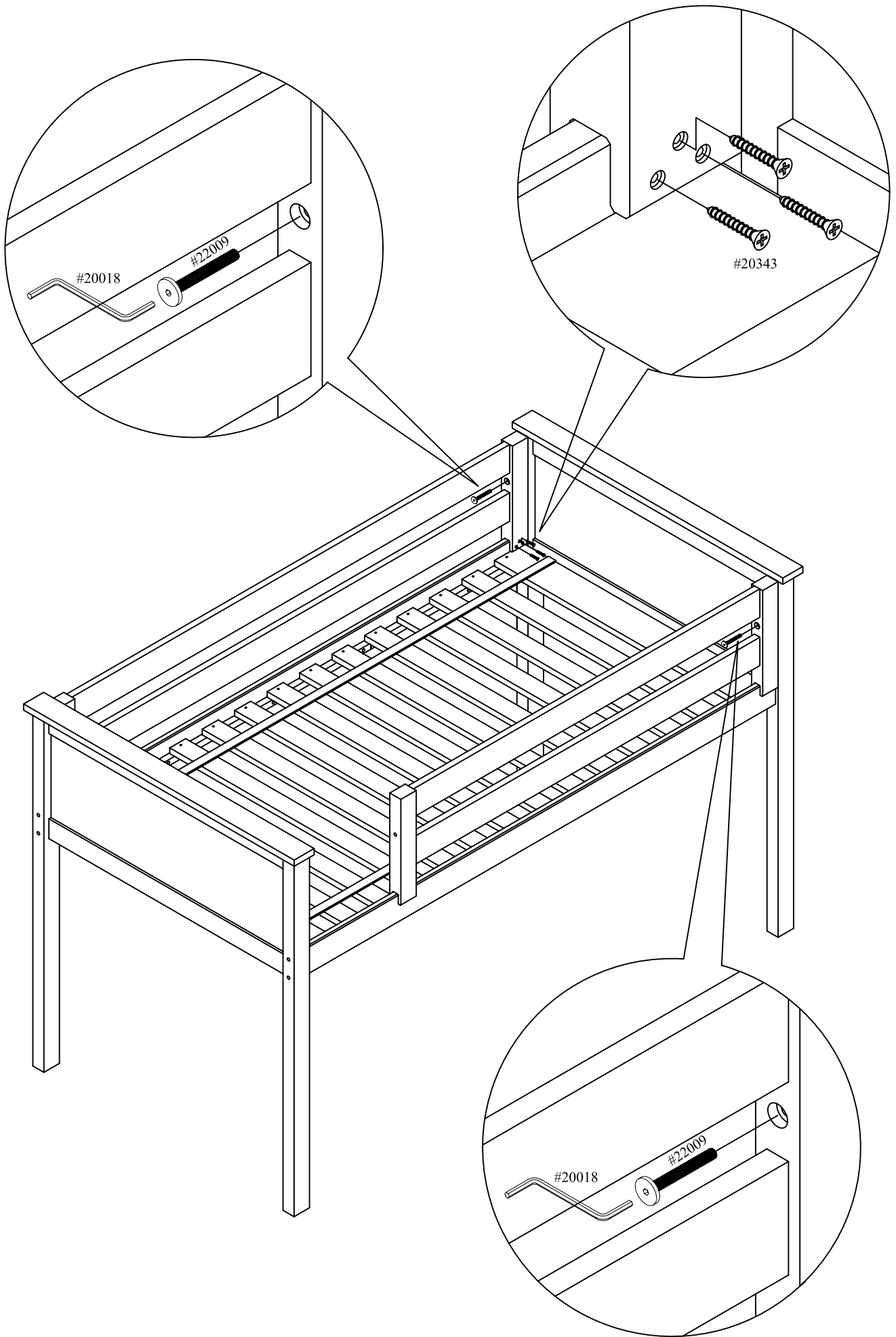
## 3/4 GUARD RAIL

<p>3/4 Guard rail</p> 	<p>1</p>	<p>#22009:M8 78mm hex bolt</p> 	<p>1 x #22009</p>	<p>#20343:25mm wood screw</p> 	<p>6 x #20343</p>
<p>#22139</p> 	<p>2 x #22139</p>	<p>#20018: Hex Wrench 5mm</p> 	<p>1 x #20018</p>	<p>#21001: 11mm wood plugs</p> 	<p>1 x #21001</p>

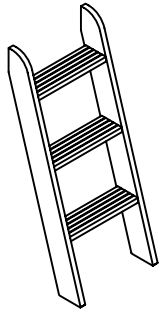




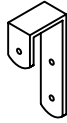
#20022



# ASSEMBLY INSTRUCTION



#20039: J-Hook

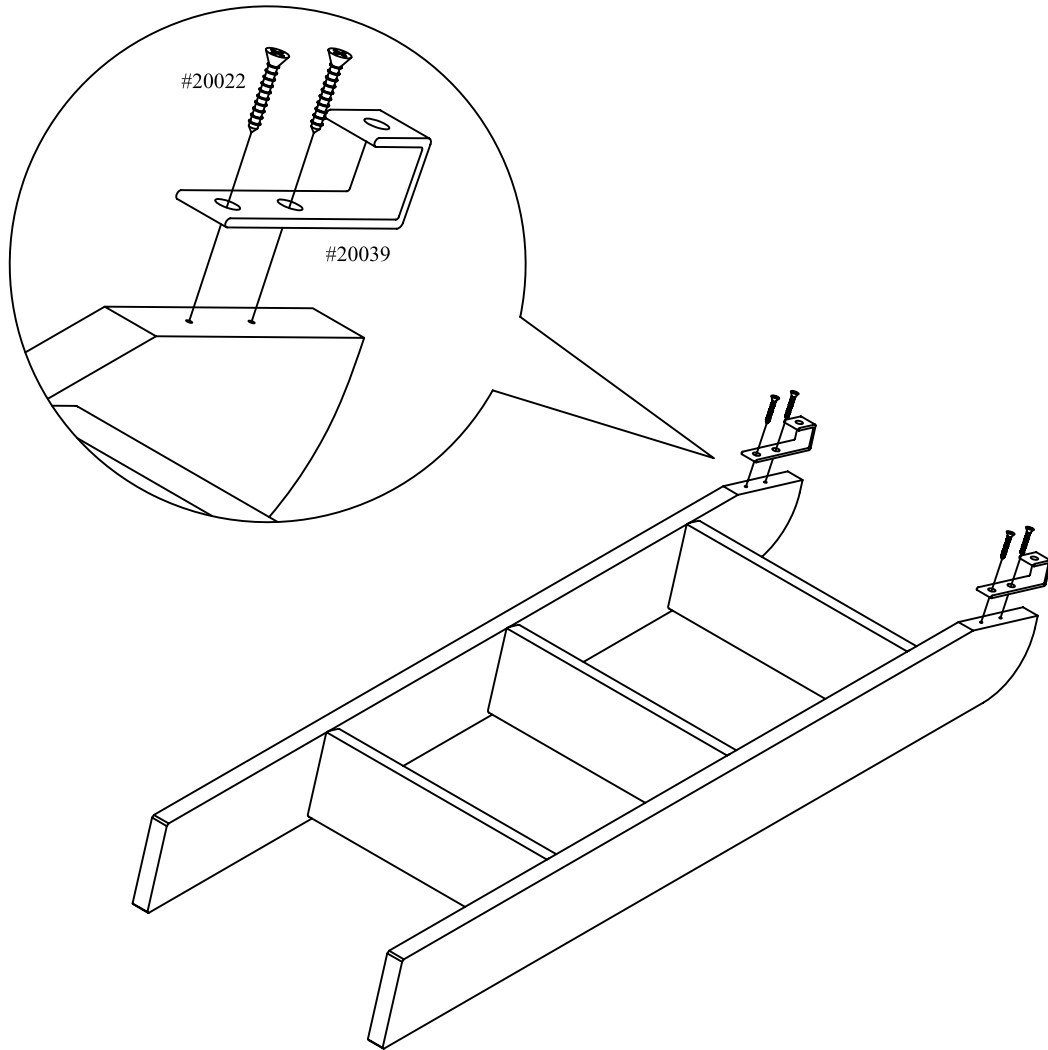


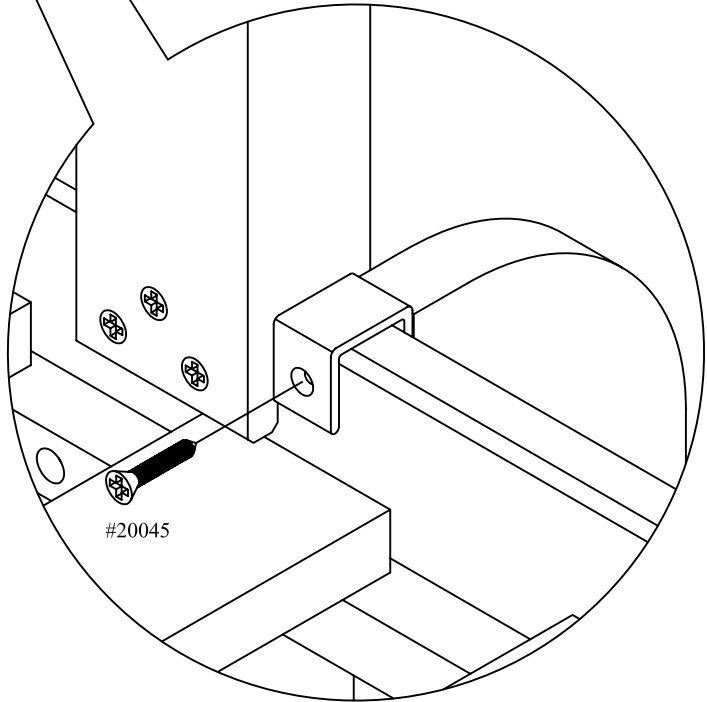
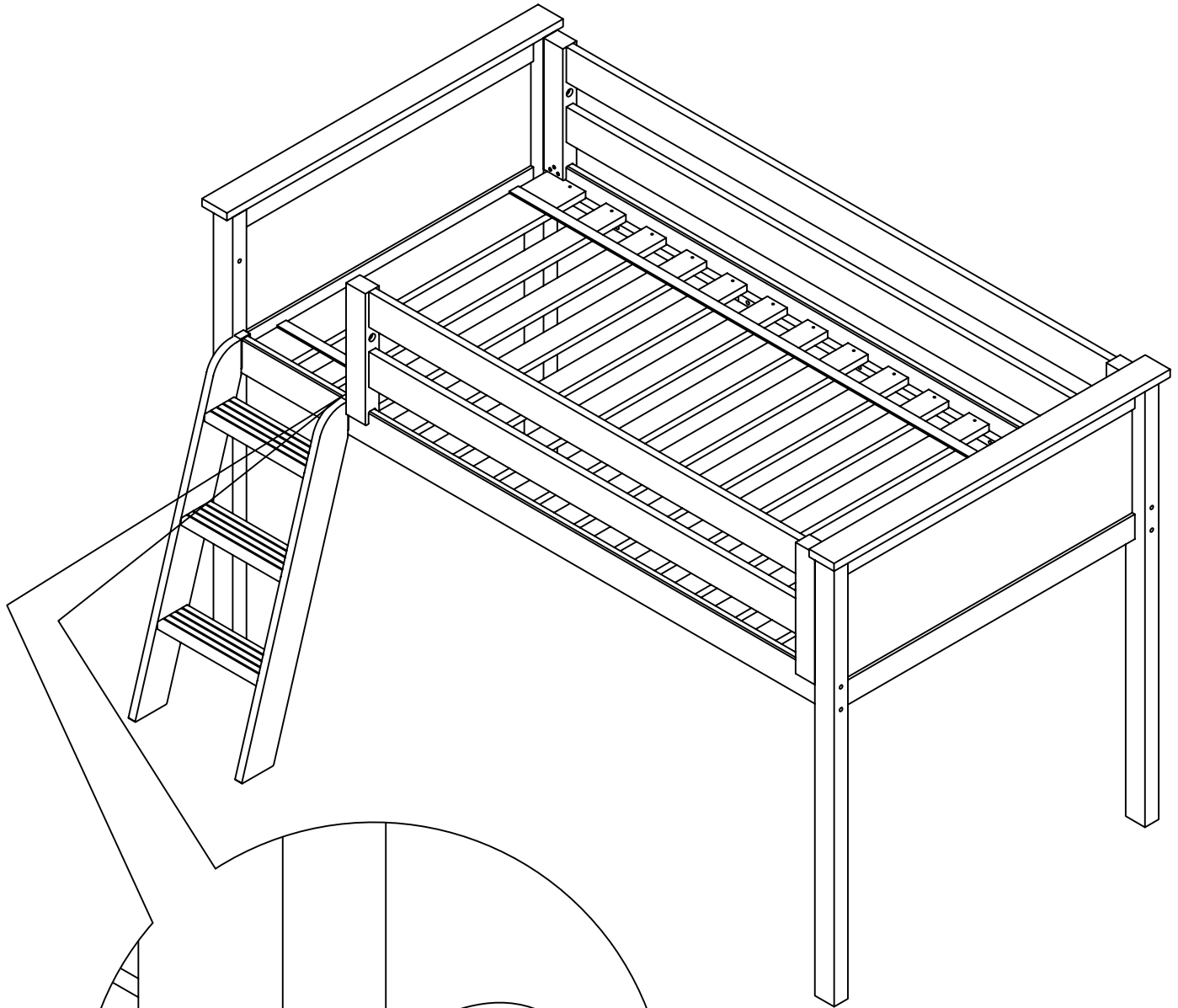
2 x #20039

#20045: 19mm wood screw  
#20022: 30mm wood screw



2 x #20045  
4 x #20022





#20045

