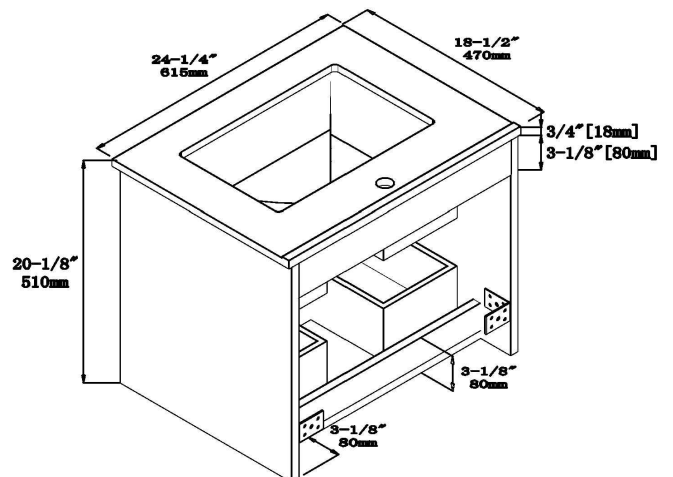
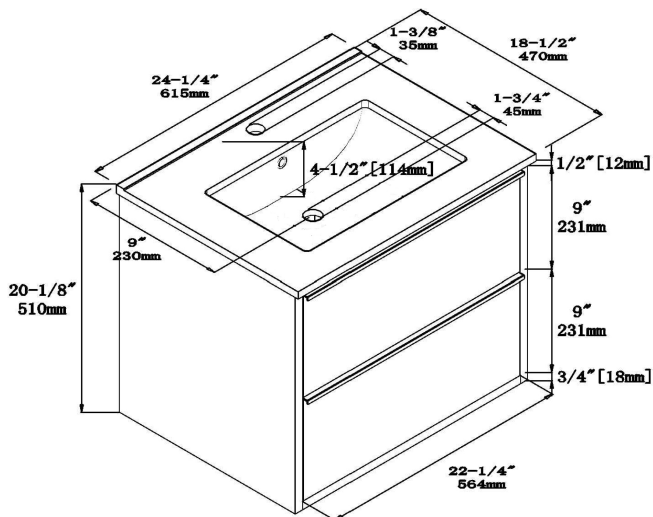
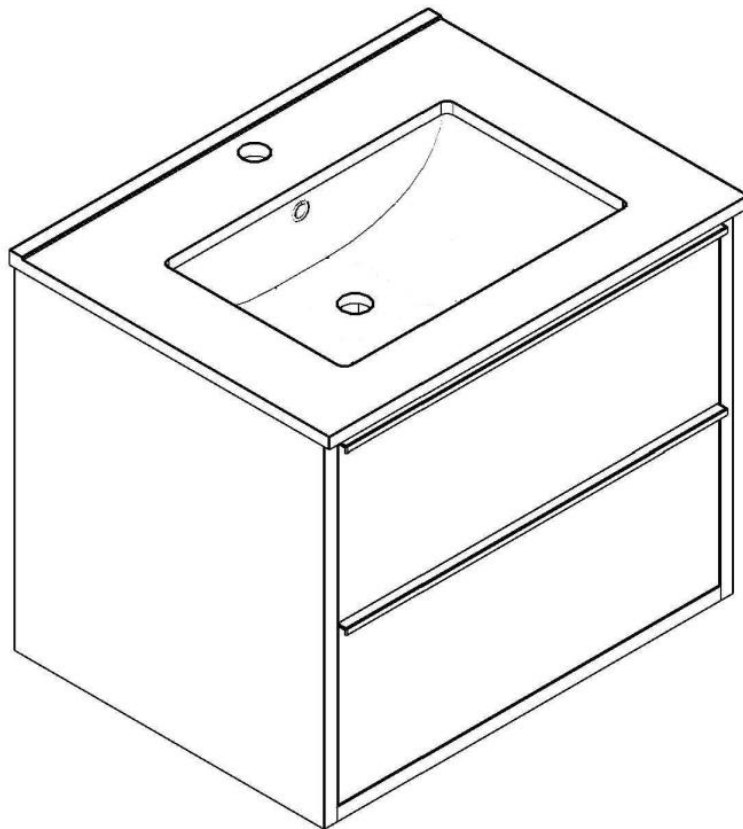


Applied Item

CS1923-24-01

MANUAL GUIDE



PRE-ASSEMBLY

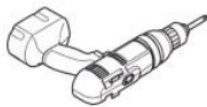
To ensure your installation goes smoothly, please read the following instructions carefully before your installation

1. Removing your old vanity (if applicable). Turn off the electricity and water supply before you start. Then disconnect all lines to the sink and disconnect appliances.
2. Evening out walls and floor Flat, level surfaces are important. Unevenness can cause your vanity to become misaligned resulting in twisting of the cabinet.
3. Check all parts and review all tools (not included) make sure you have all prepared before your installation.

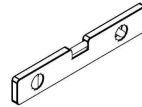
TOOLS REQUIRED (Not included)



Sealant



Drill

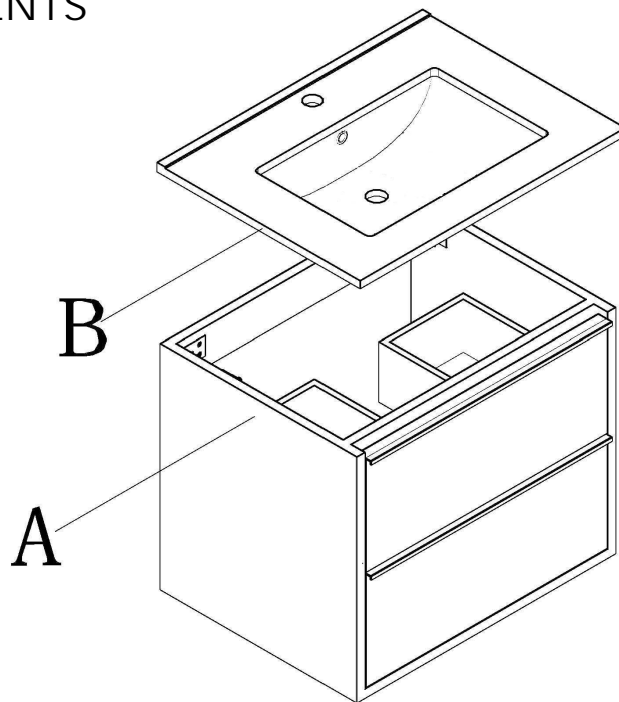


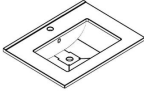
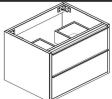



Level



Pencil

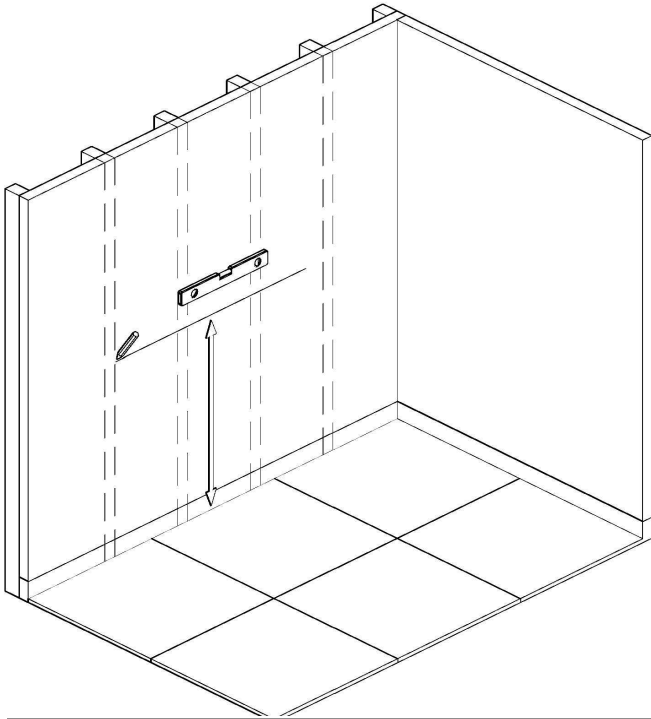
PACKAGE CONTENTS



Part	Description	Parts	Quantity
A	Vanity base		1
B	Countertop		1
C	Anchors		4
D	Screws		4
D	Mounting brackets		2

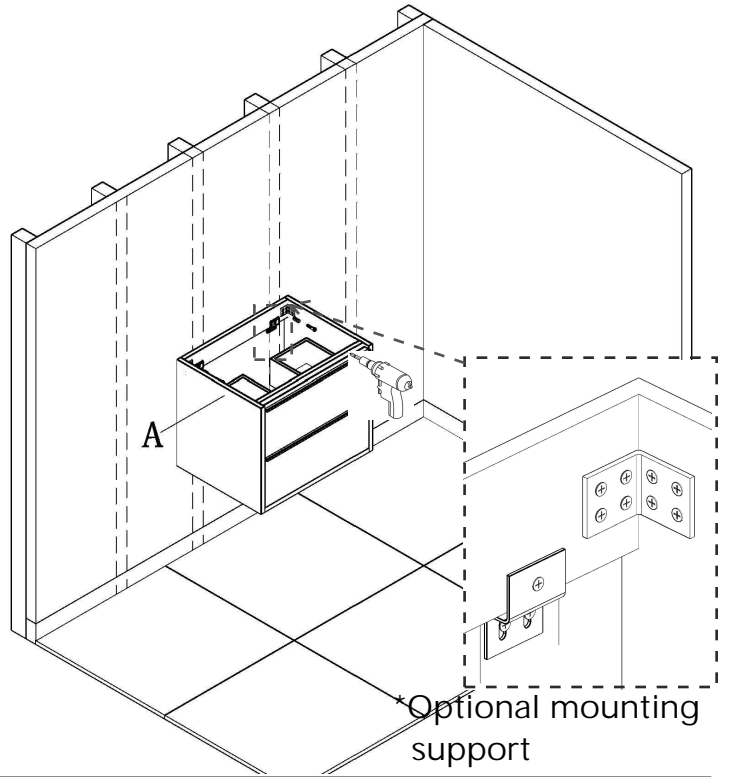
1. Mark the studs

Use pencil to mark the studs on the wall.
Use level ensures marks are leveled.



2. Mount the vanity base

Place the vanity base in position, use level ensure its leveled, Mount the vanity base with anchor and screws. Use mounting brackets for extra support (if necessary).



3. Install the countertop

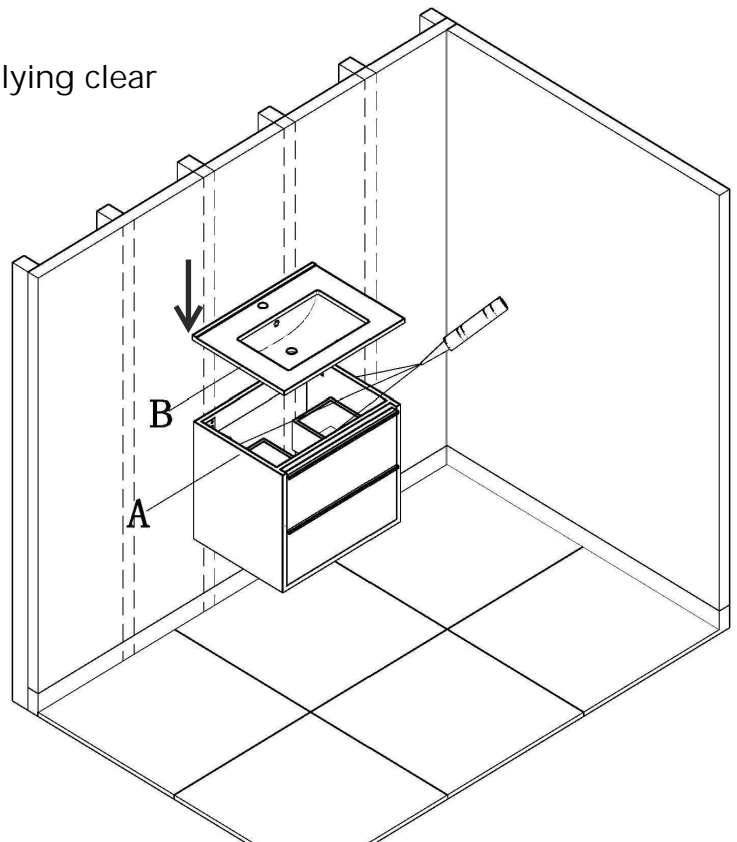
Clear countertop of all debris before applying clear silicon sealant.

Ensure to apply the sealant on the entire bottom edge of the countertop.

Use rubber shims repair any unevenness between countertop and vanity base (if necessary).

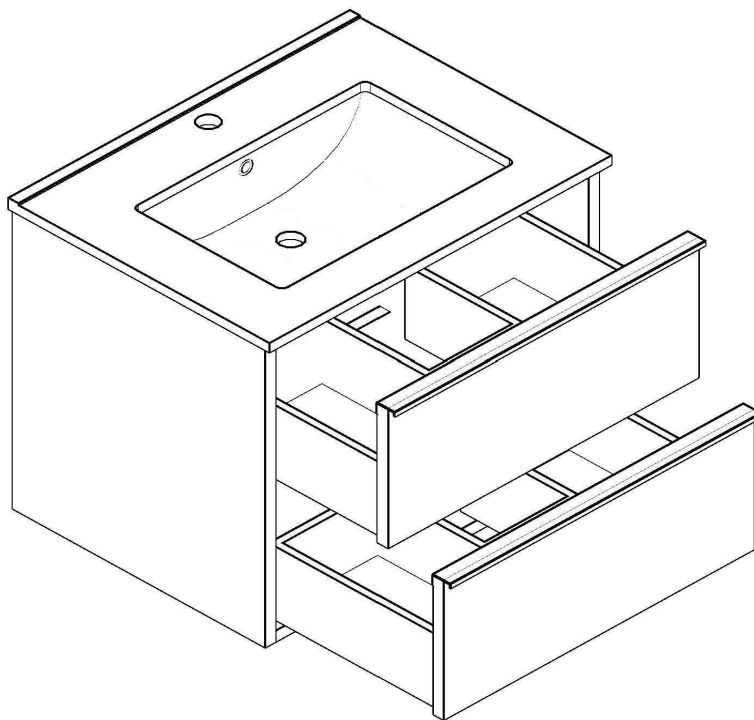
Press countertop gently against vanity base.

Let it sit and dry for 24 hours.



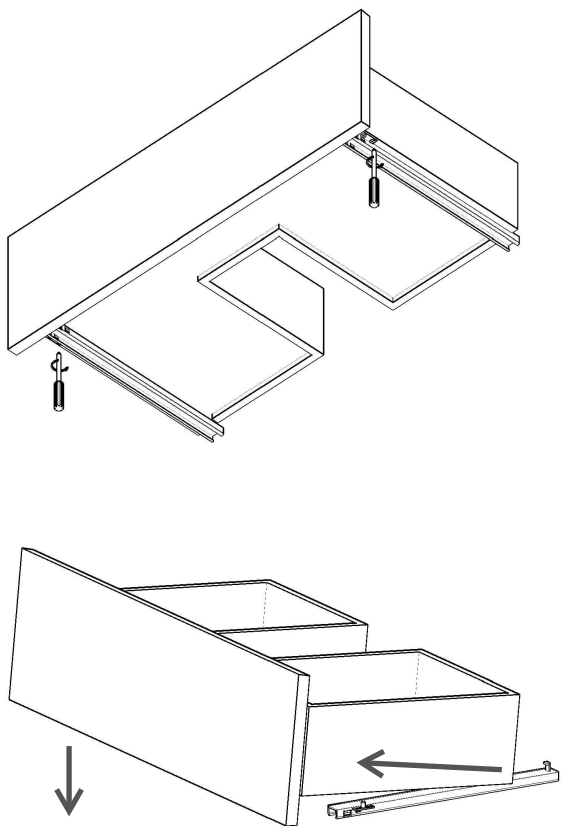
A

DRAWER REMOVAL AND RE-INSTALLATION INSTRUCTIONS



B

REMOVAL



C

RE-INSTALLATION

