

Instructions

Volume control

i



LATOSCANA

by Pairsi

FOR THE FOLLOWING MODELS

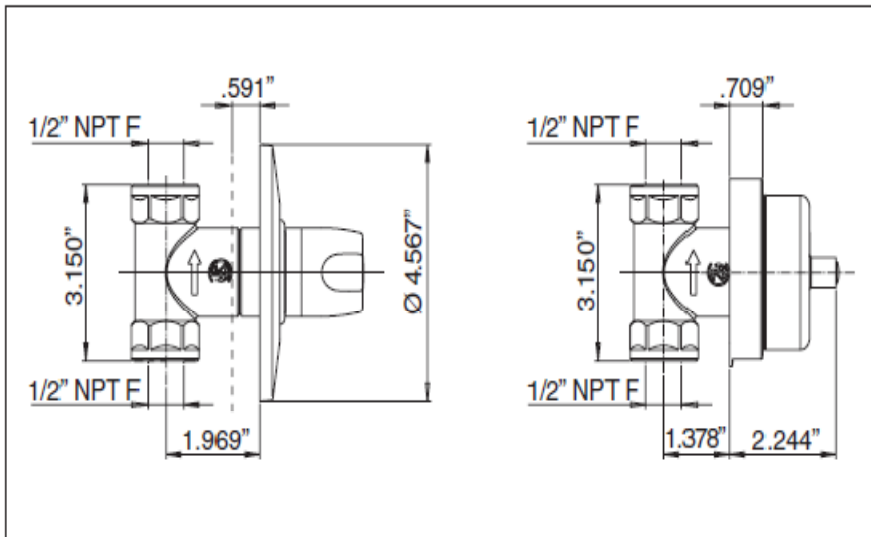
MORGANA 73-400

NOVELLO 86-400

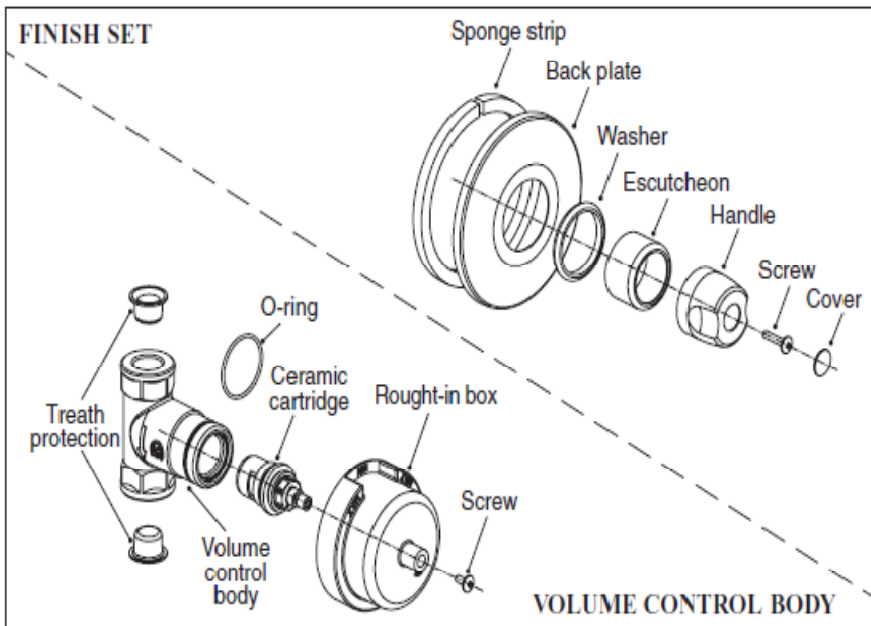
ORNELLAIA 87-400

HARMONY 50-400

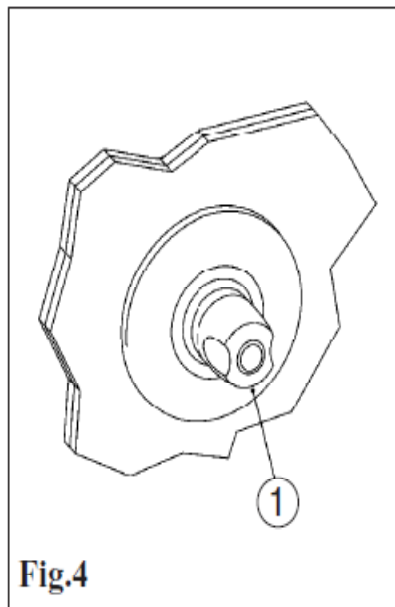
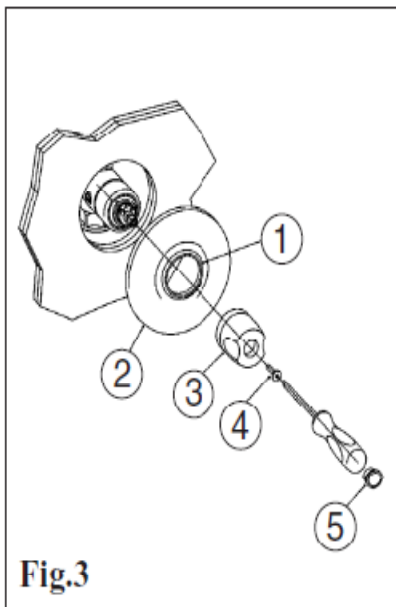
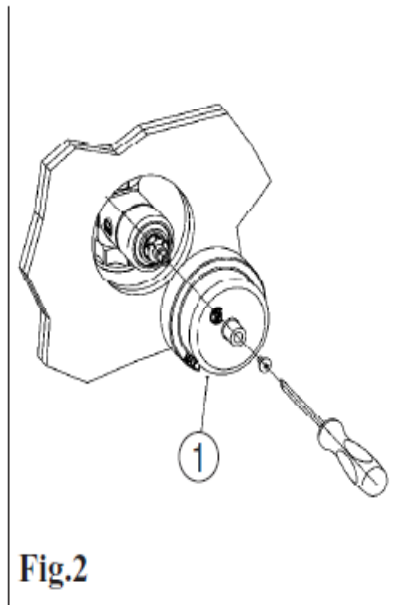
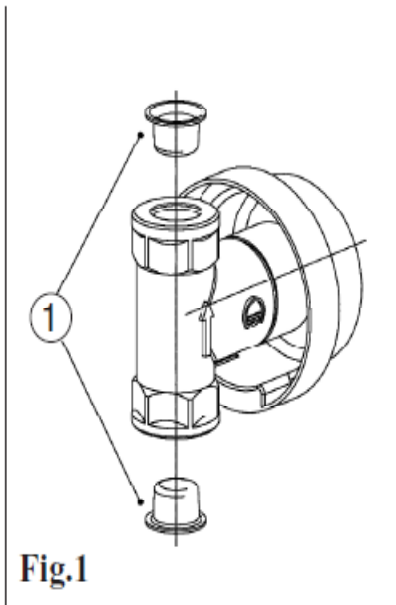
TECHNICAL DRAWING • DIBUJO TECNICO



COMPONENTS • COMPONENTES



INSTALLATION • INSTALACION



UK General information

General condition of use

The shower arm works correctly if the following points are satisfied:

- Working pressure rating: from 20 to 70 psi (suggested 45 psi) 1-5 bar (suggested 3bar)
- Hot water temperature: Max 180 °F (suggested 150 °F) 80°C (suggested 65°C)
- Cold water temperature: Min 45 °F (suggested 60 °F) 10°C (suggested 15°C)

Important

- Do not remove plaster guard from volume control until instructed to do so.
- For proper trim fit, the finished wall must align within the 0.709" front-to-back, depth minimum =1.378"; maximum = 2.087".
- Carefully plan the installation before beginning.
- Carefully read the entire instructions. Component location, spacing, and situational requirements can vary.
- Shut off the water supply.
- Inspect the waste and supply tubing; replace if necessary.

Cleaning tips

While cleaning, the surface of the volume control should be cold (warmth quickens the wearing out of the surface). Make sure that cleaning products do not contain acids or corrosive substances. The volume control should be wiped daily with a soft cloth, after been rinsed with cold water. Avoid corrosives, abrasive sponges or any other similar products. Failure to do so will invalidate your guarantee

Installation

(Figure 1)

Remove black thread protections (1).

Install the valve in the wall and connect it to the water supply system by using thread sealant on all threaded connections and following the water flow indicated by the arrow.

Wall installation (Figure 2)

Secure piping to framing. The built-in depth (included the coating) should be in conformity with the MIN/MAX tolerances recorded on the plastic protection. Install temporary nipple in shower ell. After completing all connections flush out system under operation pressure (it's recommended to extend this operation for some minutes in order to bleed the pipes from debris and impurities). Remove temporary plastic guard (1) to check for leaks. If there are no leaks reinstall it (1) again and complete finished wall.

External finish (Figure 3)

Slip washer (1) on wall flange (2). Slip the wall flange on the valve placing in between sponge strip. Position the handle (3) as shown in figure, then tighten blocking screw (4) with a screwdriver. Apply cover (5).

Functioning (Figure 4)

The figure shows volume control assembled correctly. To turn on water supply turn the handle (1) 90° clockwise.