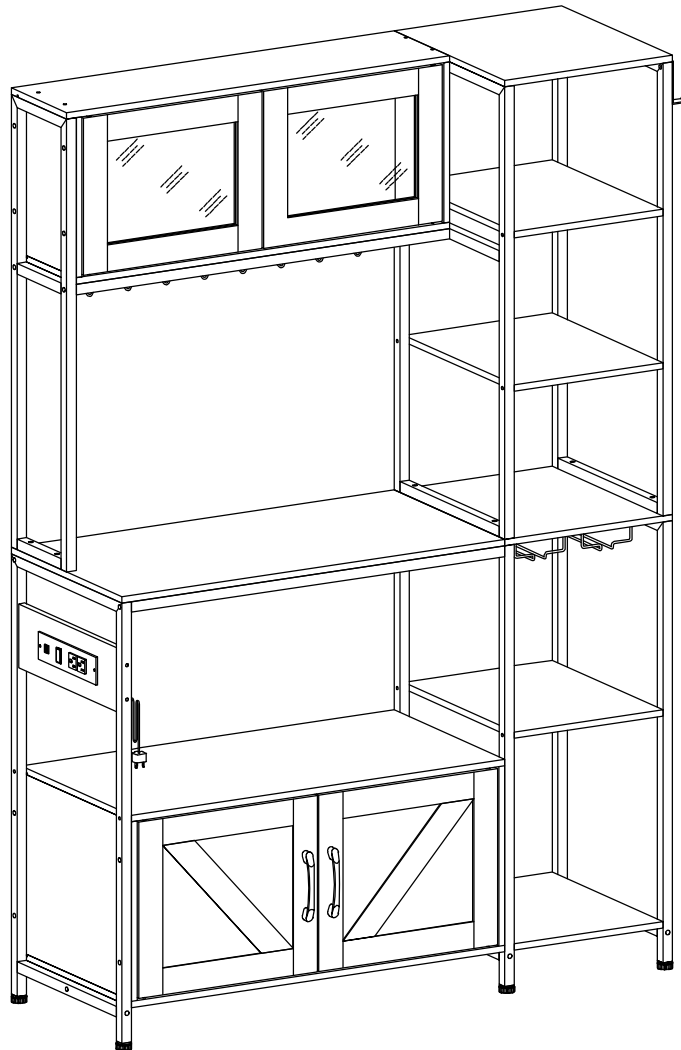
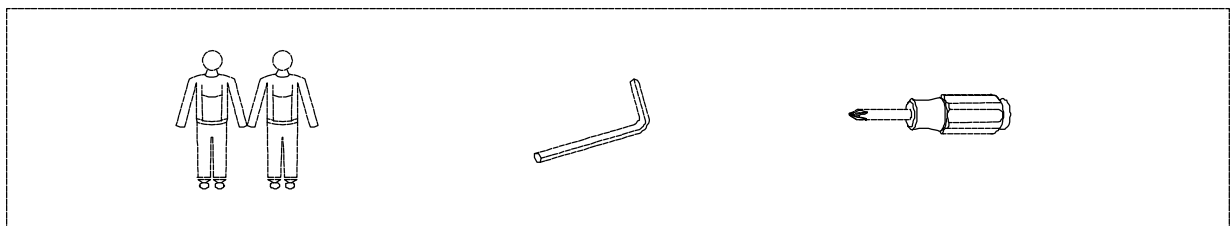


SHELF

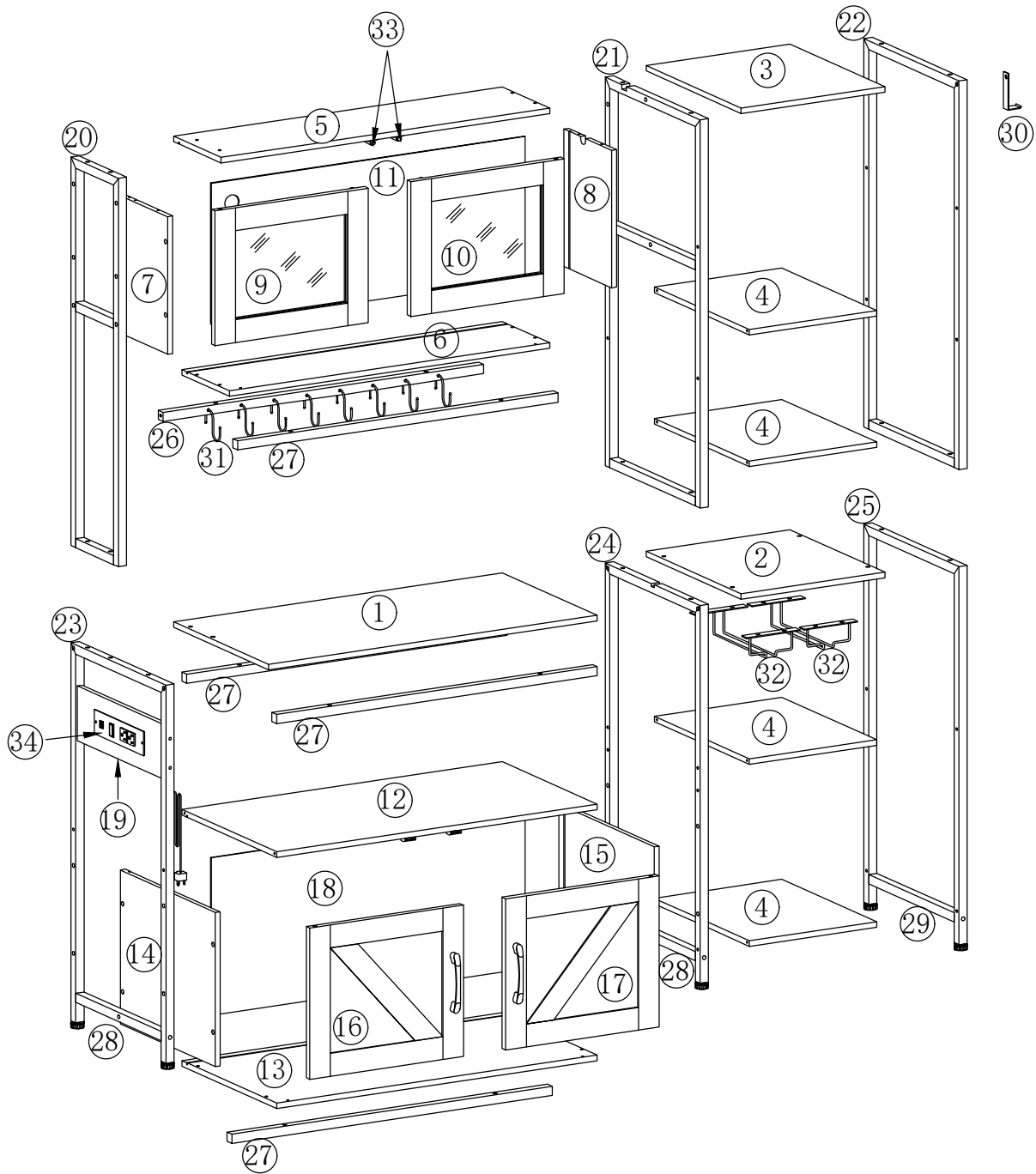


Warning: Please read this instruction manual carefully before using the product.

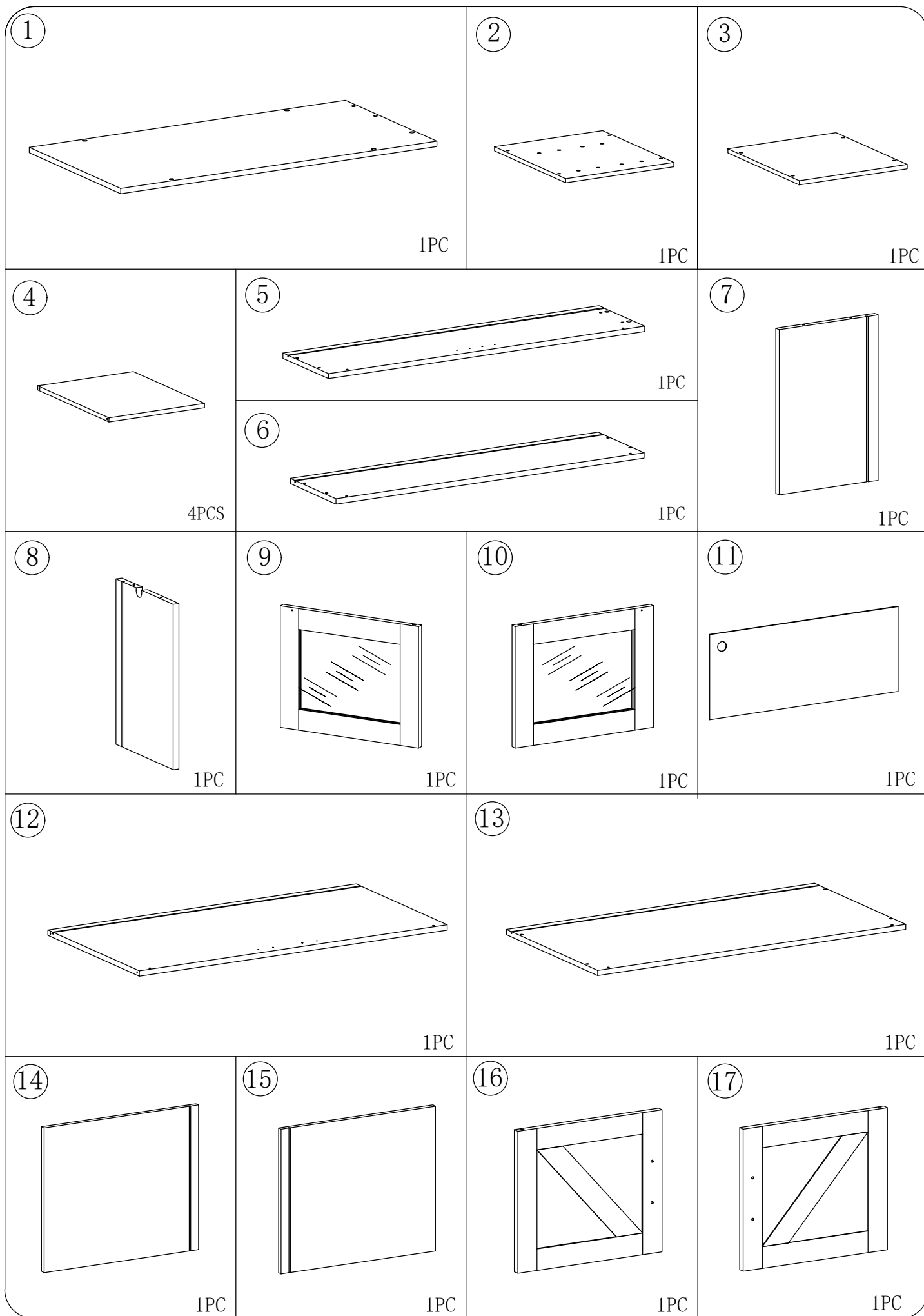


GAUTION:When tightening the screws,tighten sequentially. Do not tighten any screws fully and then towards the next one. When every part is OK,then tighten all the screws.

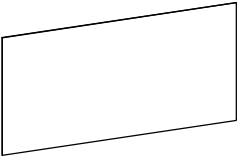
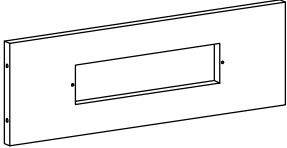
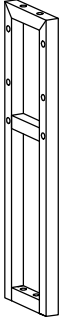

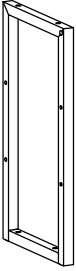
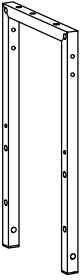

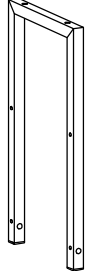
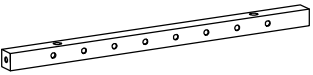

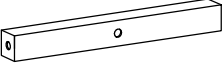


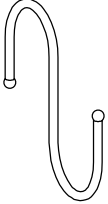
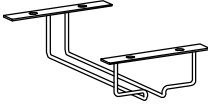
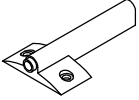

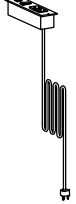
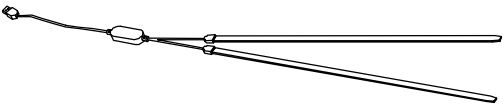



ASSEMBLY INSTRUCTION FOR SHELF




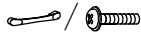


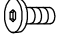

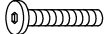



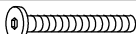

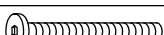




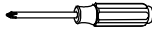
ASSEMBLY INSTRUCTION FOR SHELF



ASSEMBLY INSTRUCTION FOR COMPUTER DESK

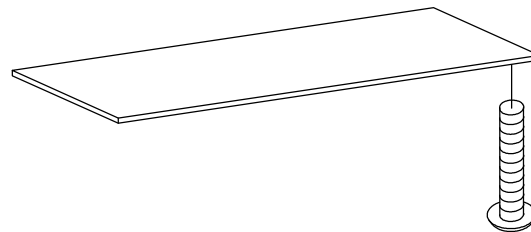
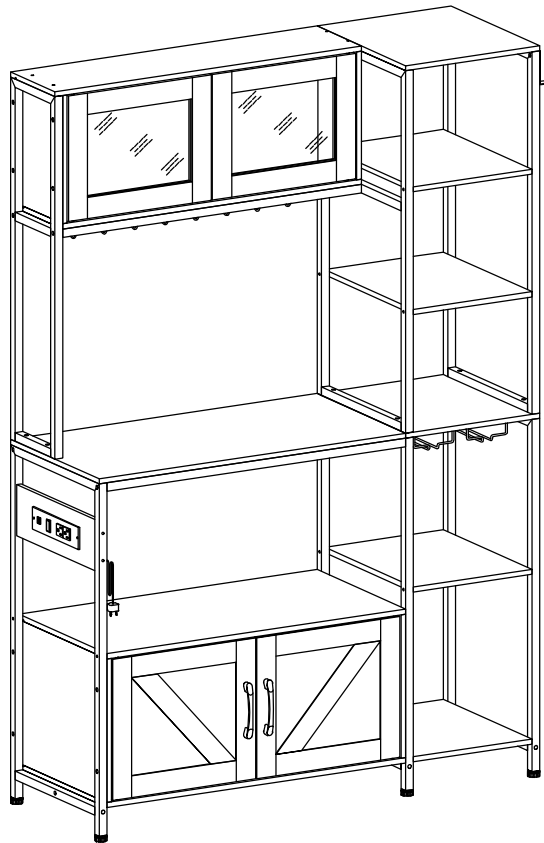
<p>(18)</p>  <p>1PC</p>	<p>(19)</p>  <p>1PC</p>	<p>(20)</p>  <p>1PC</p>	<p>(21)</p>  <p>1PC</p>
<p>(22)</p>  <p>1PC</p>	<p>(23)</p>  <p>1PC</p>	<p>(24)</p>  <p>1PC</p>	<p>(25)</p>  <p>1PC</p>
<p>(26)</p>  <p>1PC</p>	<p>(27)</p>  <p>4PCS</p>	<p>(28)</p>  <p>2PCS</p>	<p>(29)</p>  <p>1PC</p>
<p>(30)</p>  <p>1PC</p>	<p>(31)</p>  <p>8PCS</p>	<p>(32)</p>  <p>2PCS</p>	<p>(33)</p>  <p>33A</p>  <p>33B</p> <p>2PCS</p>
<p>(34)</p>  <p>1PC</p>	<p>(35)</p>  <p>1.1M</p> <p>1PC</p>	<p>(36)</p>  <p>36A</p>  <p>36B</p>  <p>36C</p> <p>2SET</p>	

ASSEMBLY INSTRUCTION FOR SHELF

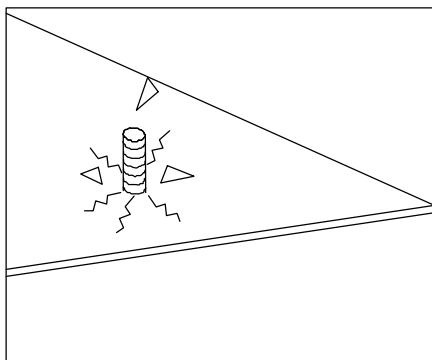
serial number	schematic diagram	Specification	quantity	serial number	schematic diagram	Specification	quantity
A		3.5x12	2/8	J		M4x18	2/4
B		ST5x40	36+3	K		ST3.5x10	8+1
C		M6x10	8+1	L		M8	6
D		M6x25	32+3	M			6
E		M6x30	1	N		3.5x14	12/12
F		M6x40	16+1				1
G		M6x60	6				1
H		M6	7+1				1
I			8+1				1



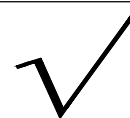
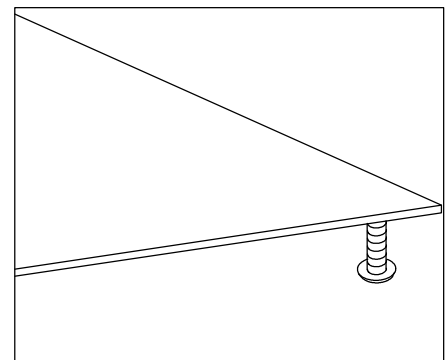
ASSEMBLY INSTRUCTION FOR SHELF



Make sure to use the correct screws to avoid damaging components



Wrong size screw can split the board



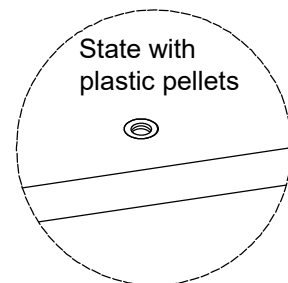
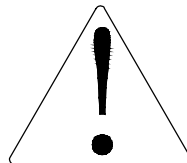
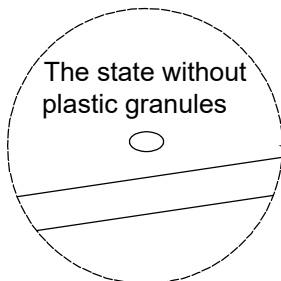
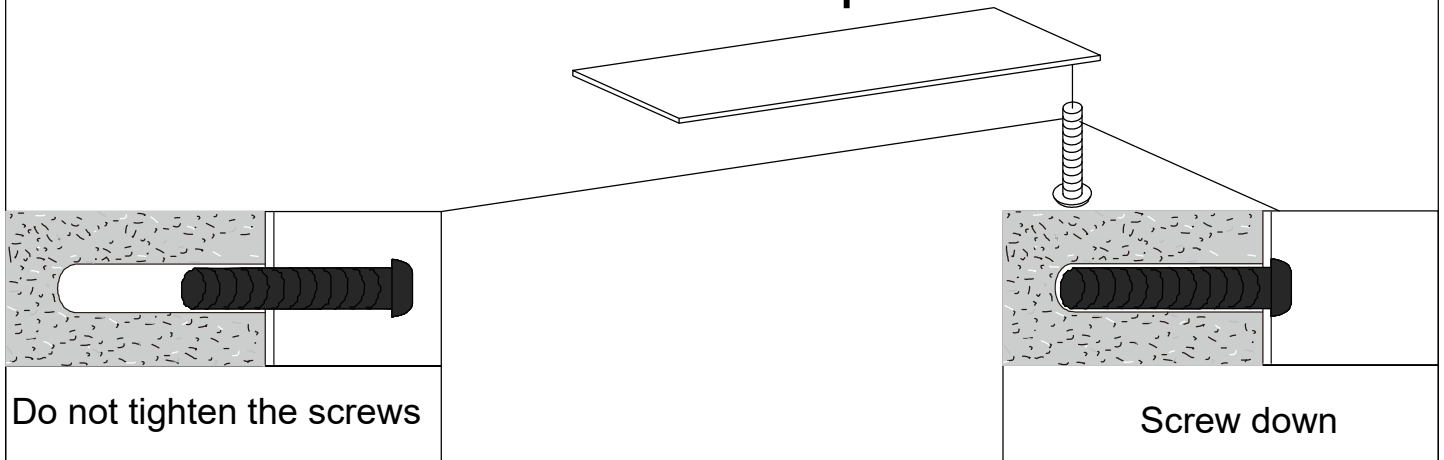
Correct screw size is correct

ASSEMBLY INSTRUCTION FOR SHELF

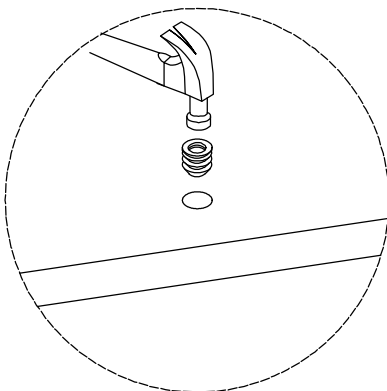
Matters needing attention

- (1) When installing the screws in the installation step, the screws do not need to be tightened.
After this installation step is confirmed and the holes are aligned, then tighten all the screws.
- (2) If the screws are tightened during the installation process, it will cause problems such as misalignment of the screw holes and misalignment of the board in subsequent installations.

example



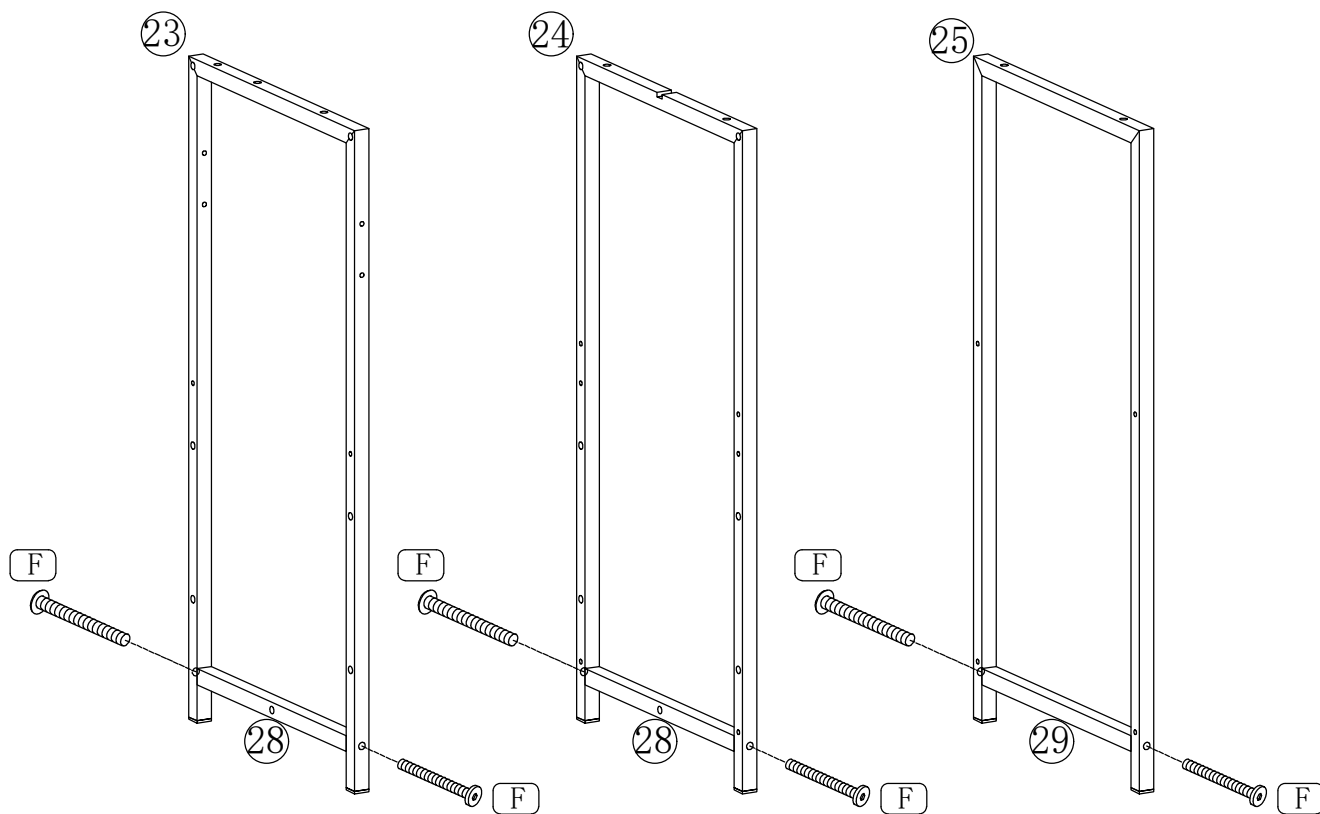
Note that if you find that there are no plastic granules on the wooden block, the table cannot be assembled, please don't worry, please use the spare plastic granules in the screw bag

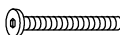


Note, please use a tool to carefully align the plastic pellets with the holes and then knock them down

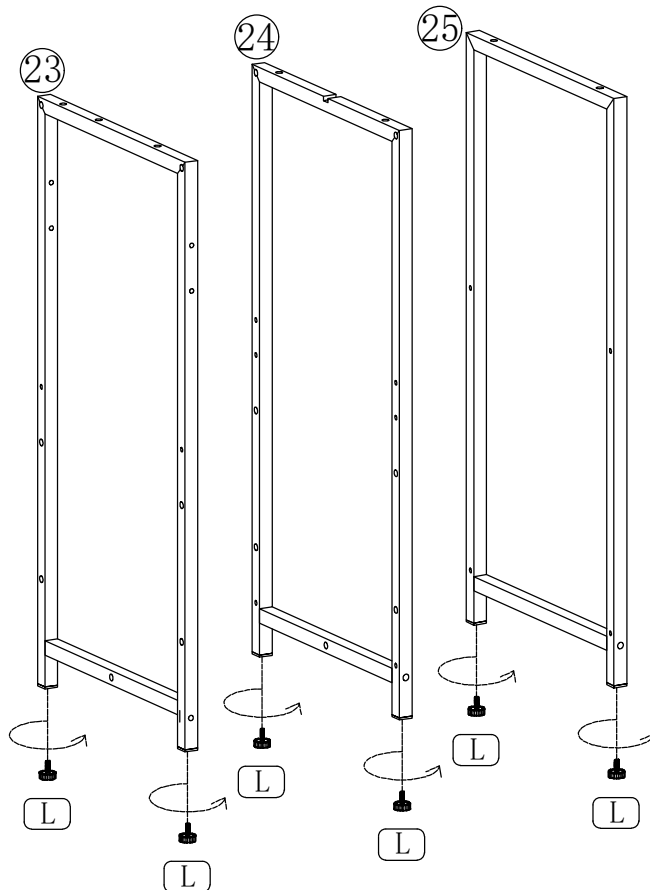
ASSEMBLY INSTRUCTION FOR SHELF

STEP 1



(F)  M6x40 6PCS

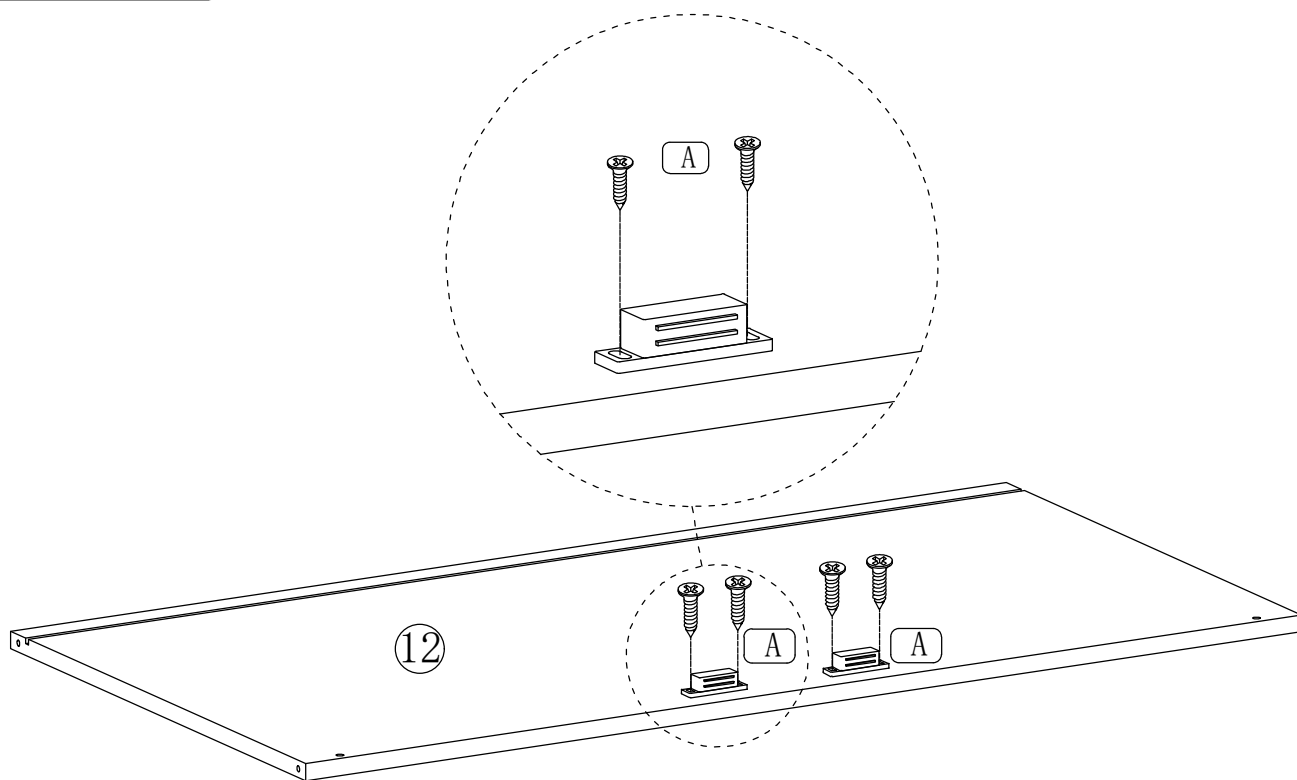
STEP 2



(L)  M6 6PCS

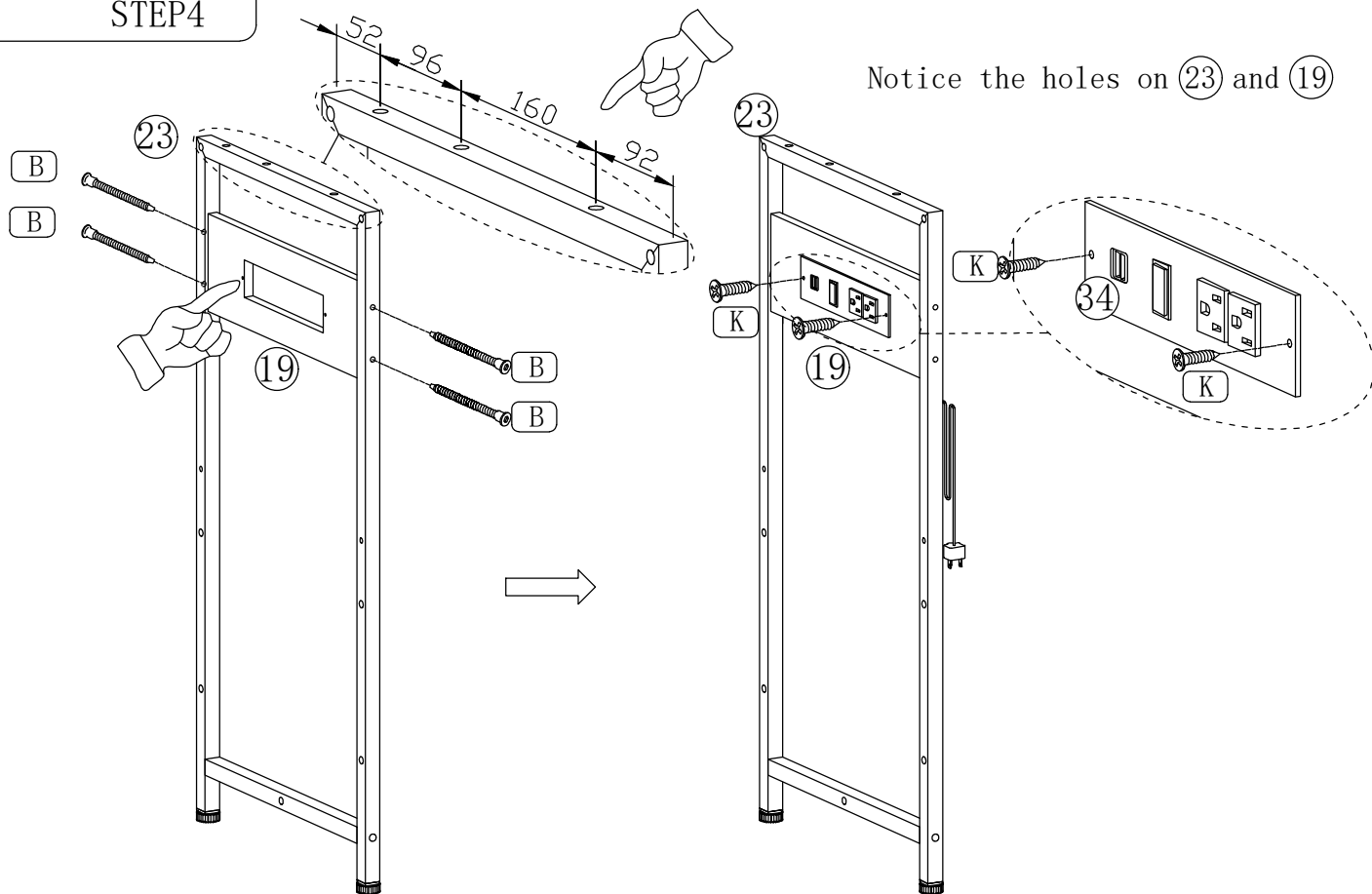
ASSEMBLY INSTRUCTION FOR SHELF

STEP 3



A  M3. 5x12 2PCS/4PCS

STEP 4

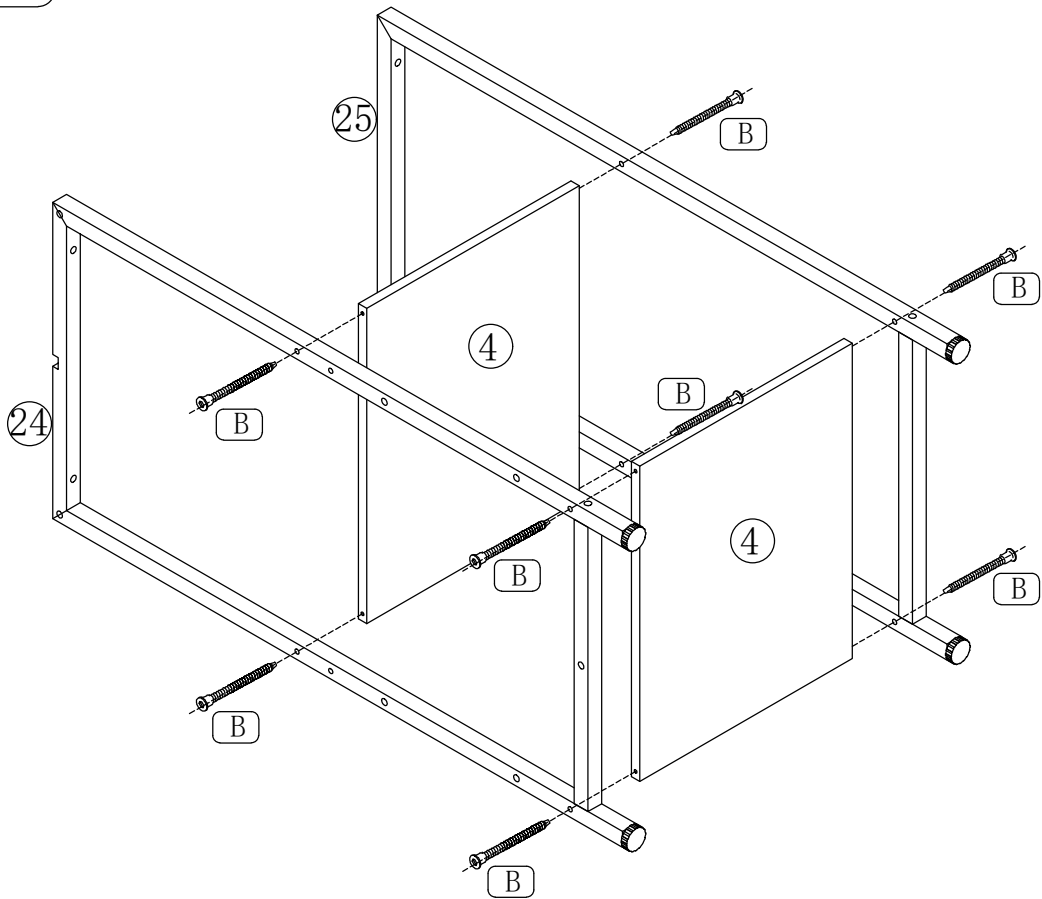


B  ST5x40 4PCS

K  M3. 5x10 2PCS

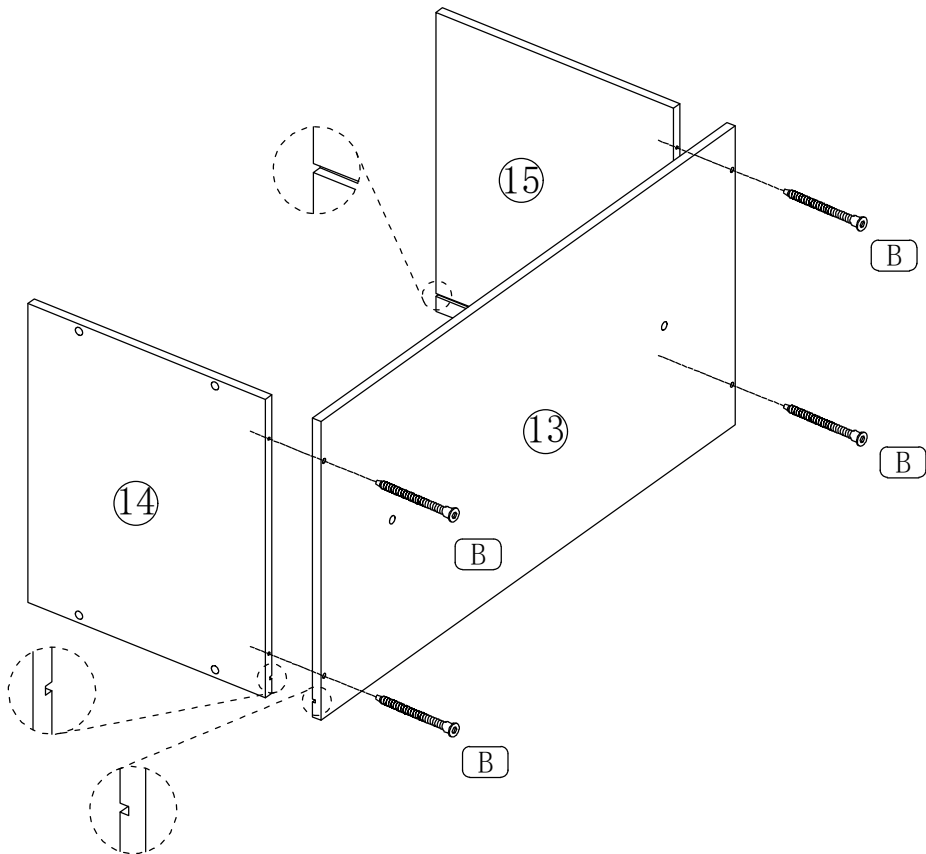
ASSEMBLY INSTRUCTION FOR SHELF

STEP5



(B)  ST5x40 8PCS

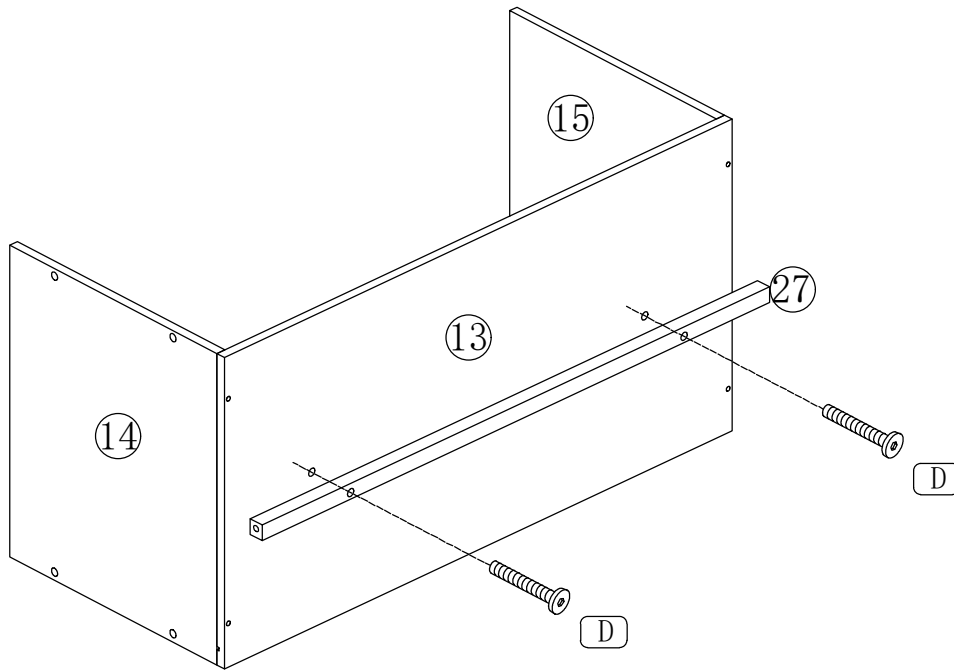
STEP6



(B)  ST5x40 4PCS

ASSEMBLY INSTRUCTION FOR SHELF

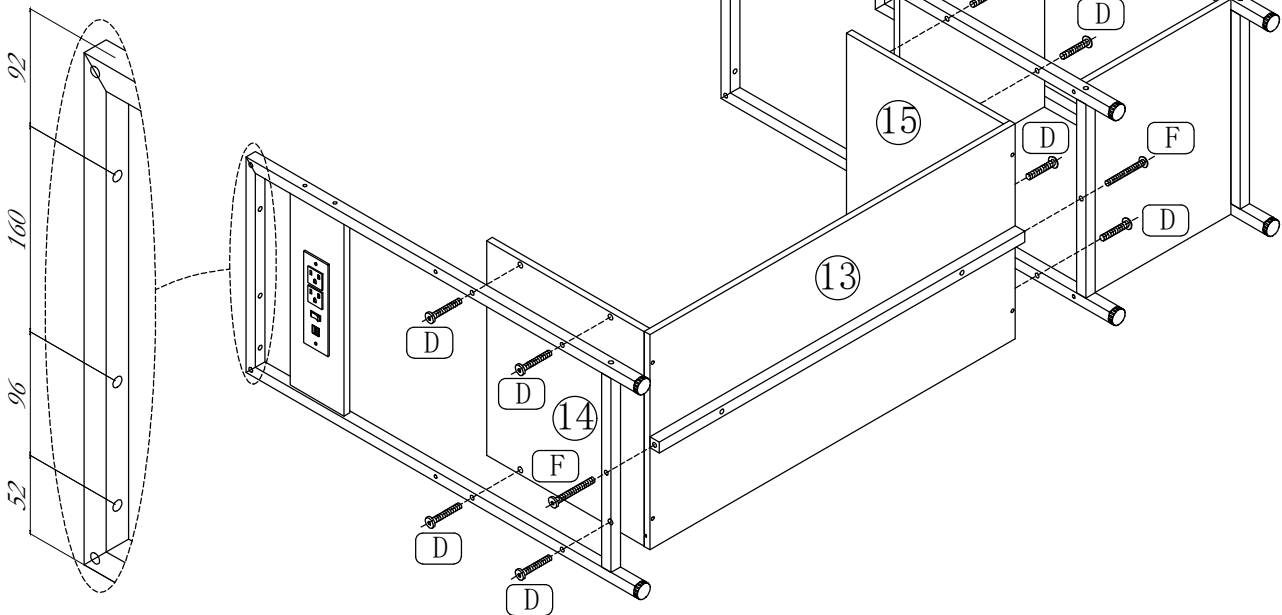
STEP 7




(D)  M6x25 2PCS

STEP 8

Note that all screws are not locked in this step.

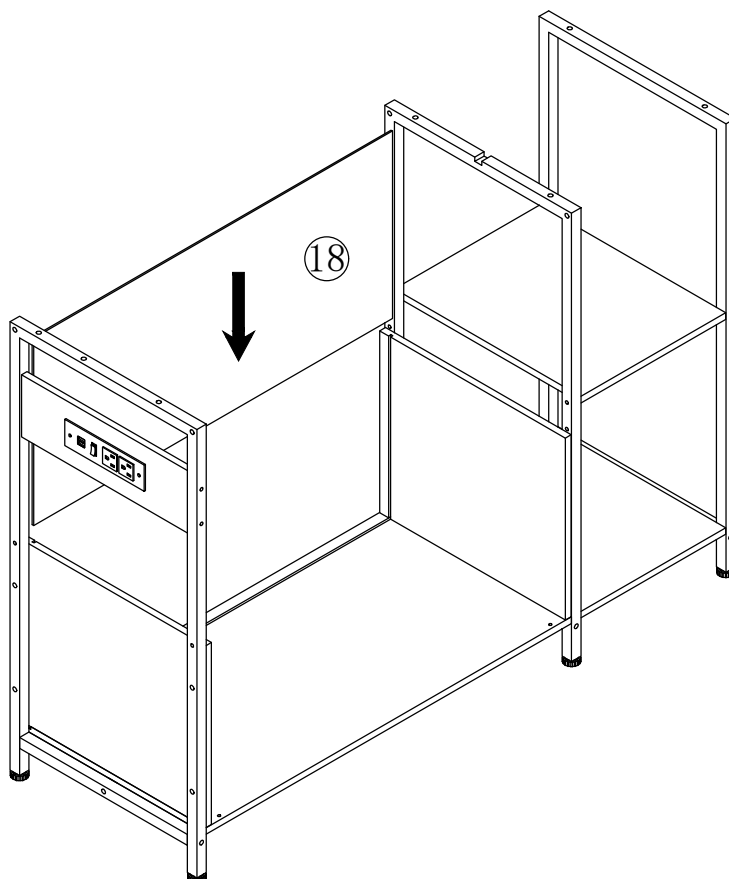


(D)  M6x25 8PCS

(F)  M6x40 2PCS

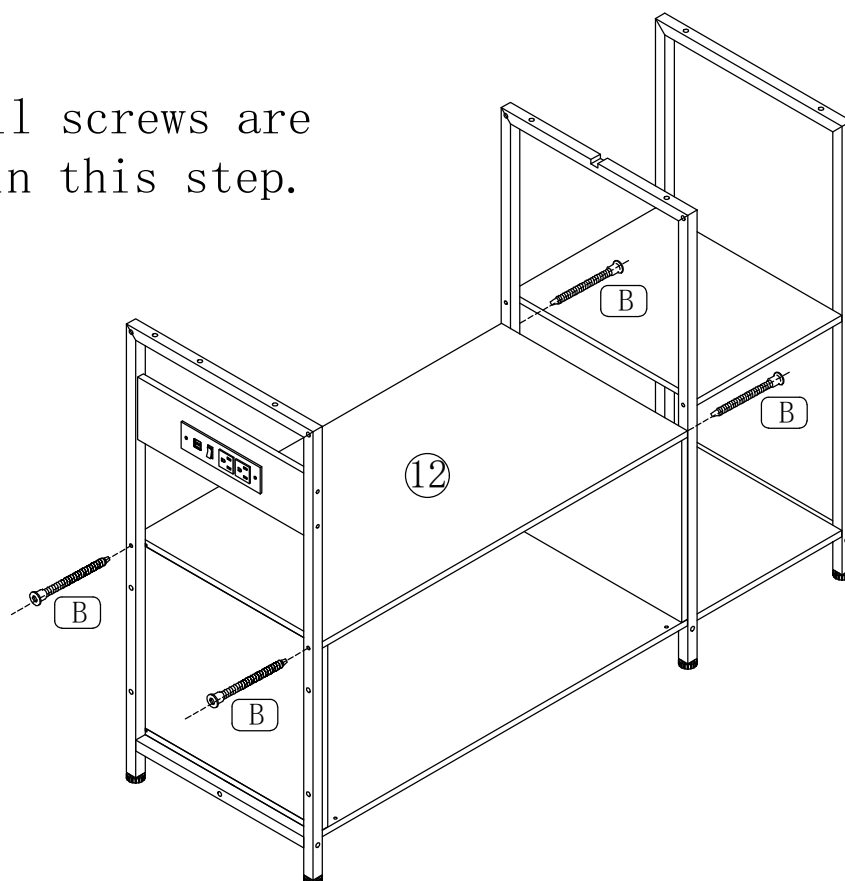
ASSEMBLY INSTRUCTION FOR SHELF

STEP9



STEP10

Note that all screws are not locked in this step.



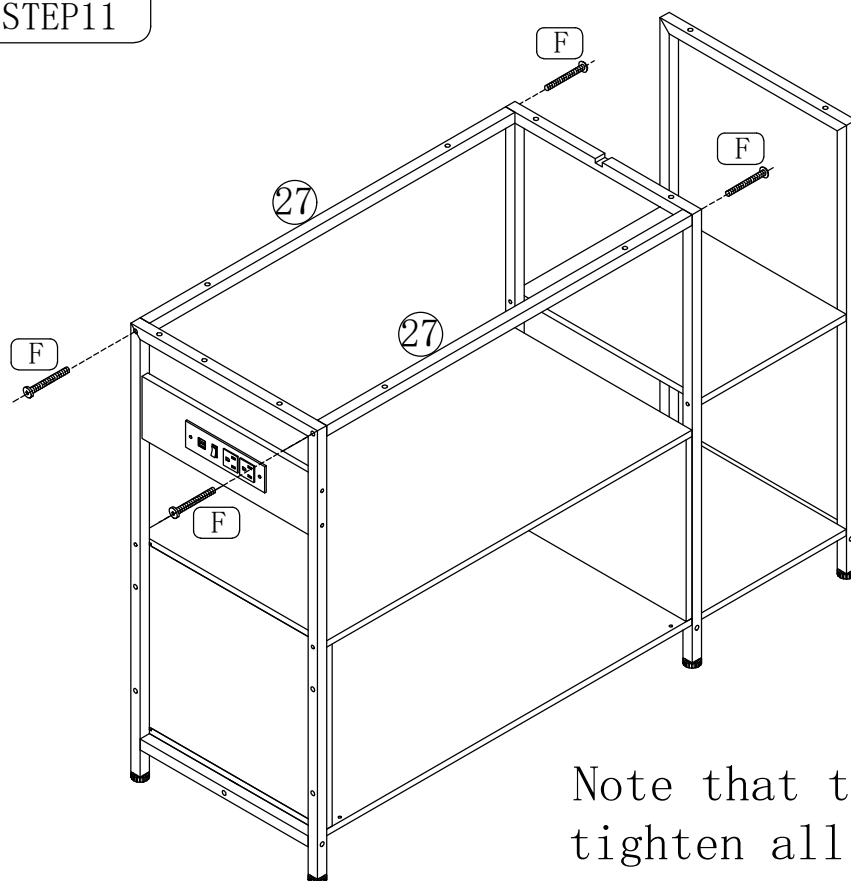
B



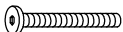
ST5x40 4PCS

ASSEMBLY INSTRUCTION FOR SHELF

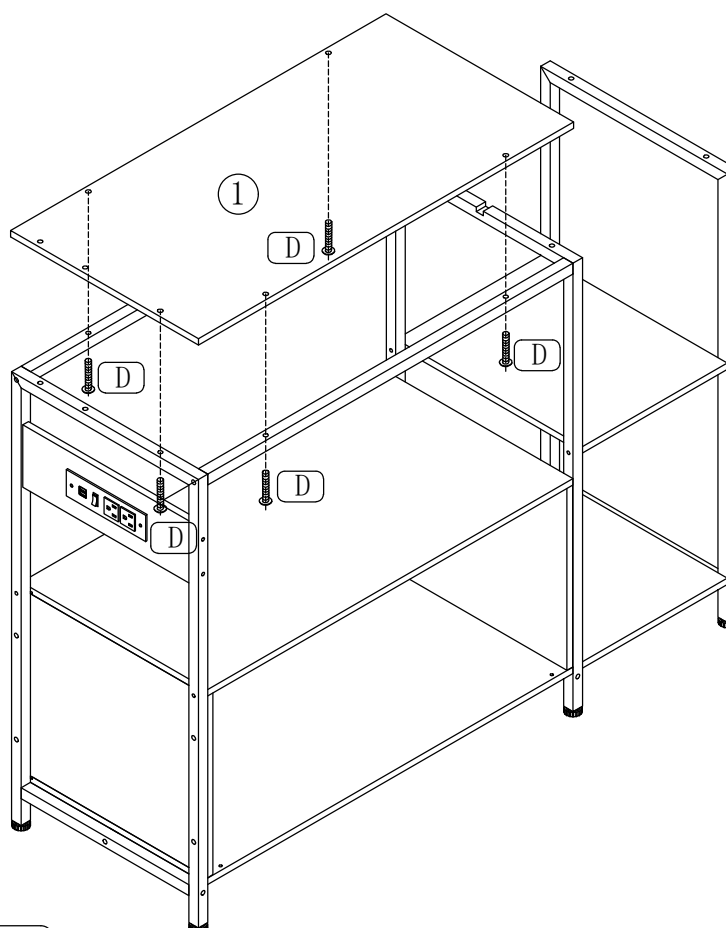
STEP11



Note that this step will tighten all screws .

F  M6x40 4PCS

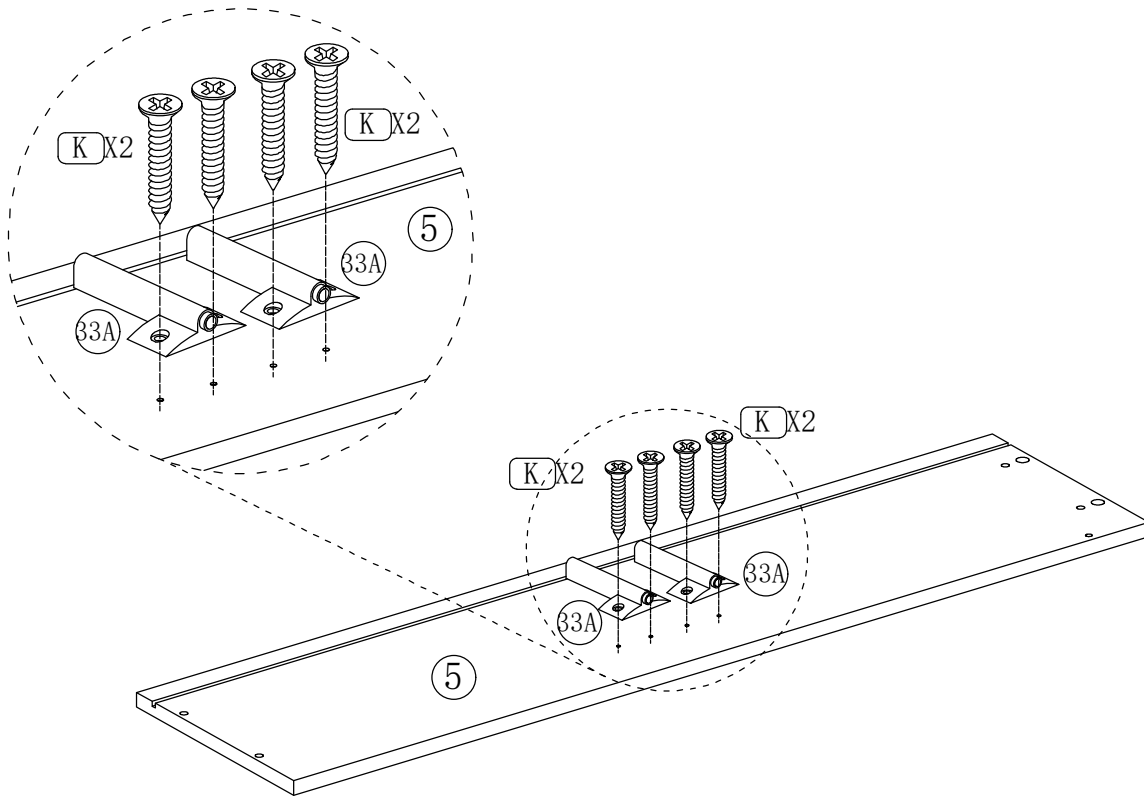
STEP12



D  M6x25 5PCS

ASSEMBLY INSTRUCTION FOR SHELF

STEP13



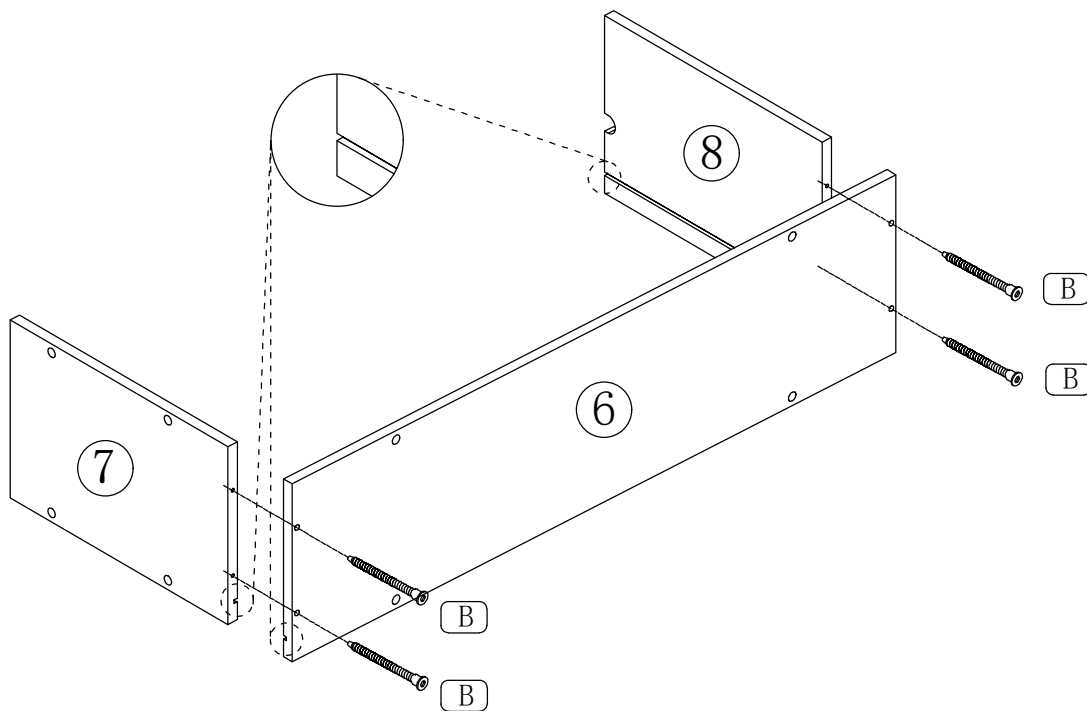
(K)



M3.5x10

4PCS

STEP14



(B)



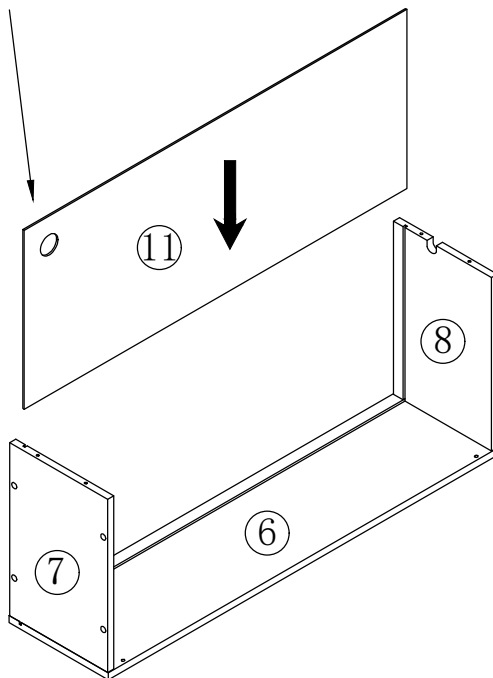
ST5x40

4PCS

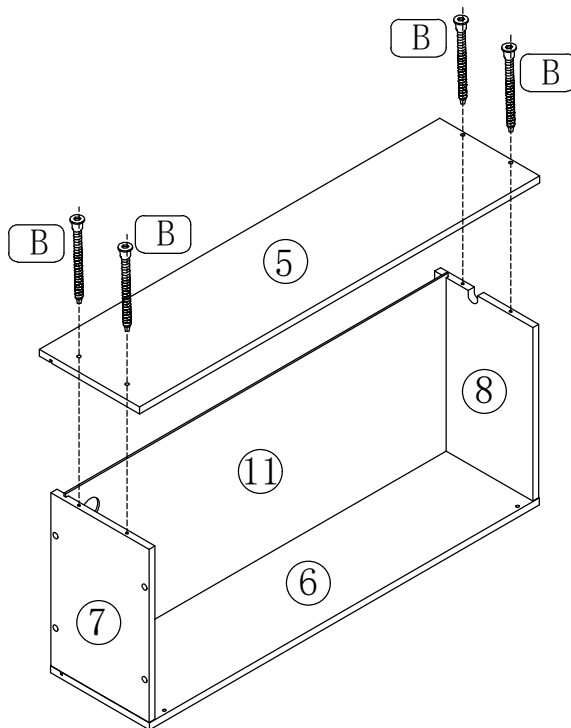
ASSEMBLY INSTRUCTION FOR SHELF

STEP15

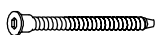
Note the direction of the holes on component "11".



STEP16



B

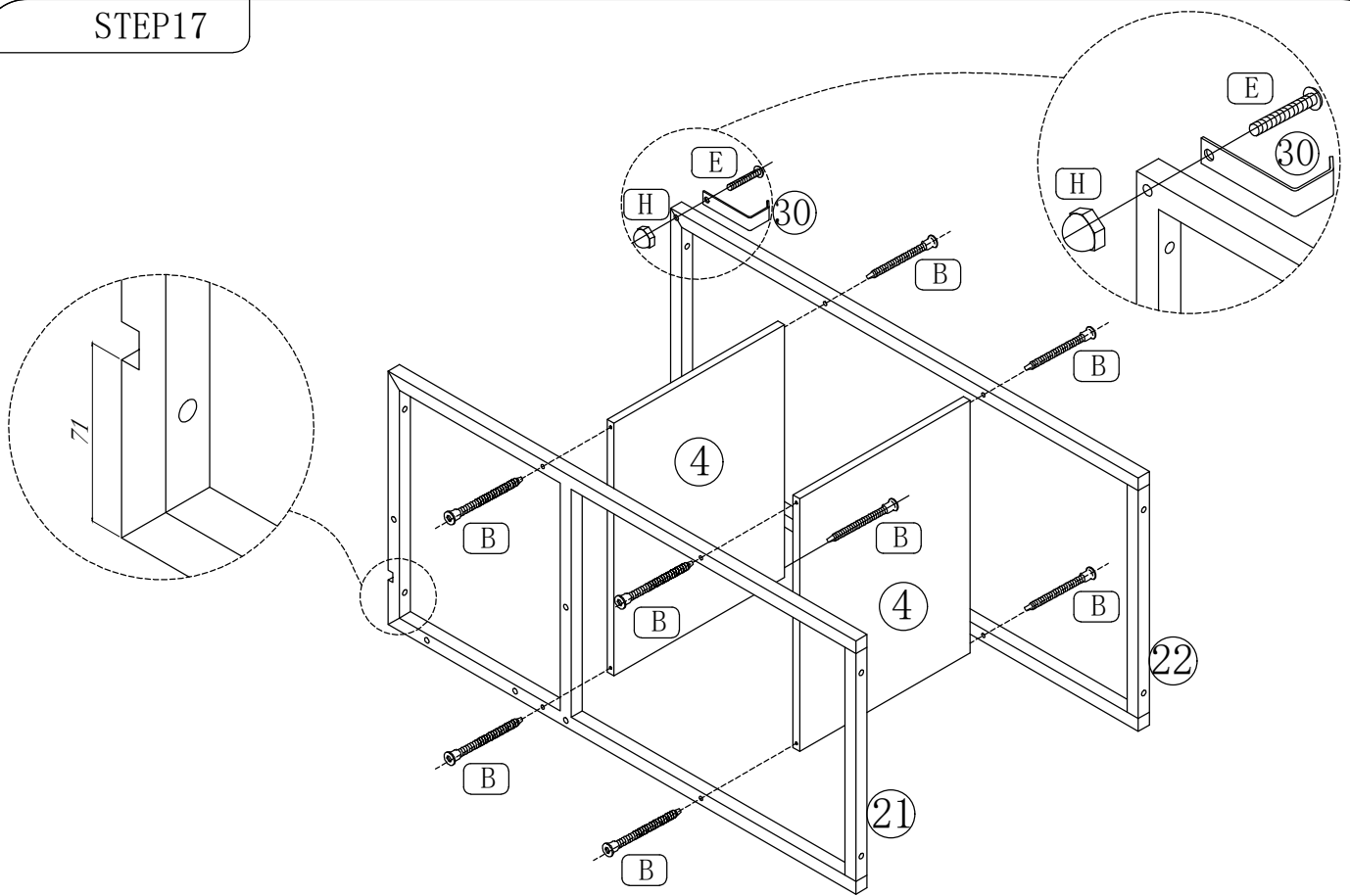


ST5x40

4PCS

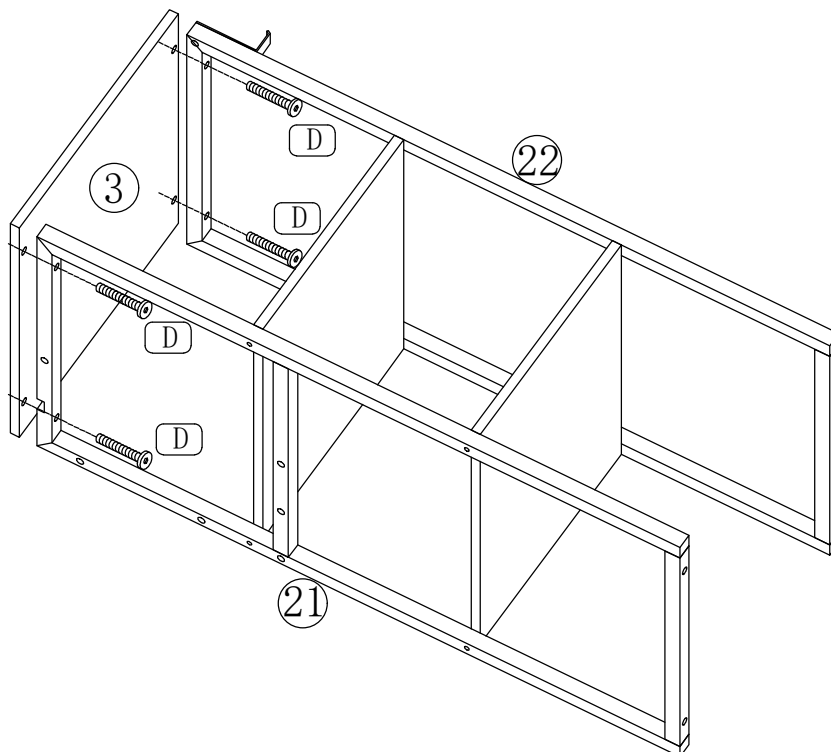
ASSEMBLY INSTRUCTION FOR SHELF

STEP17



B		ST5x40	8PCS	E		M6x30	1PC	H		M6	1PC
----------	---	--------	------	----------	---	-------	-----	----------	---	----	-----

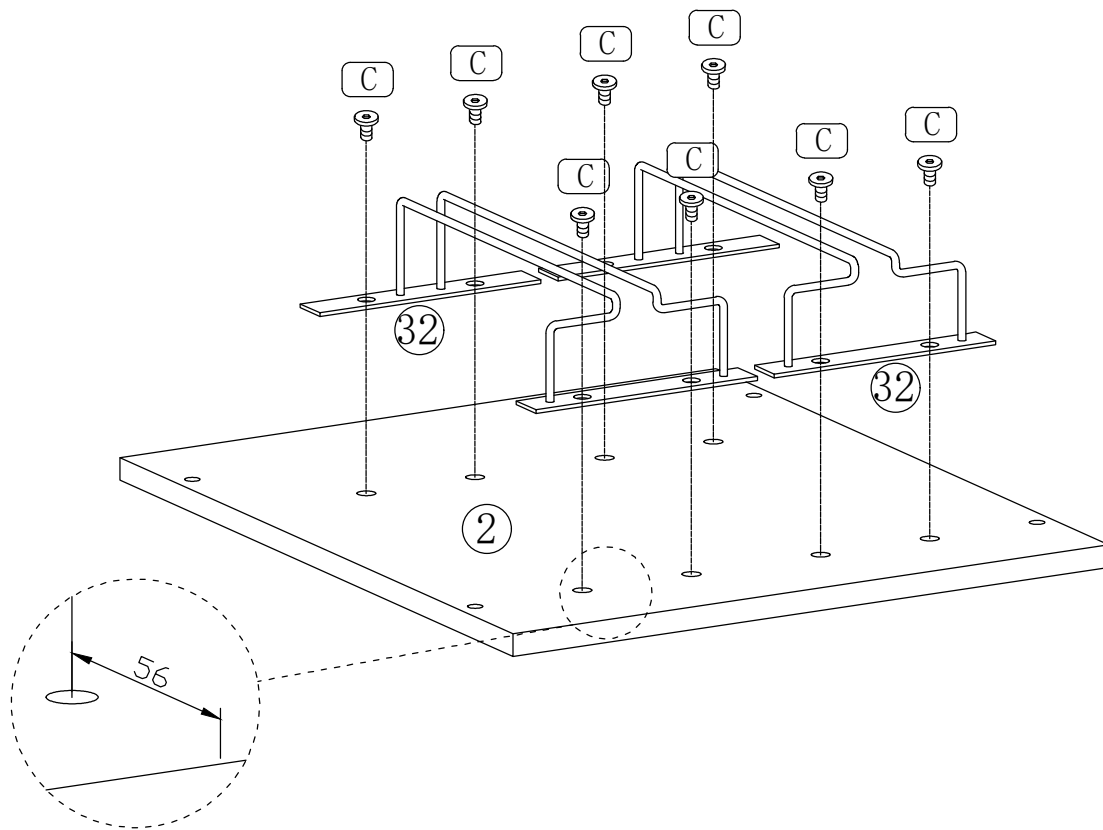
STEP18



D		M6x25	4PCS
----------	---	-------	------

ASSEMBLY INSTRUCTION FOR SHELF

STEP19



Note the installation direction when installing component "32".

C



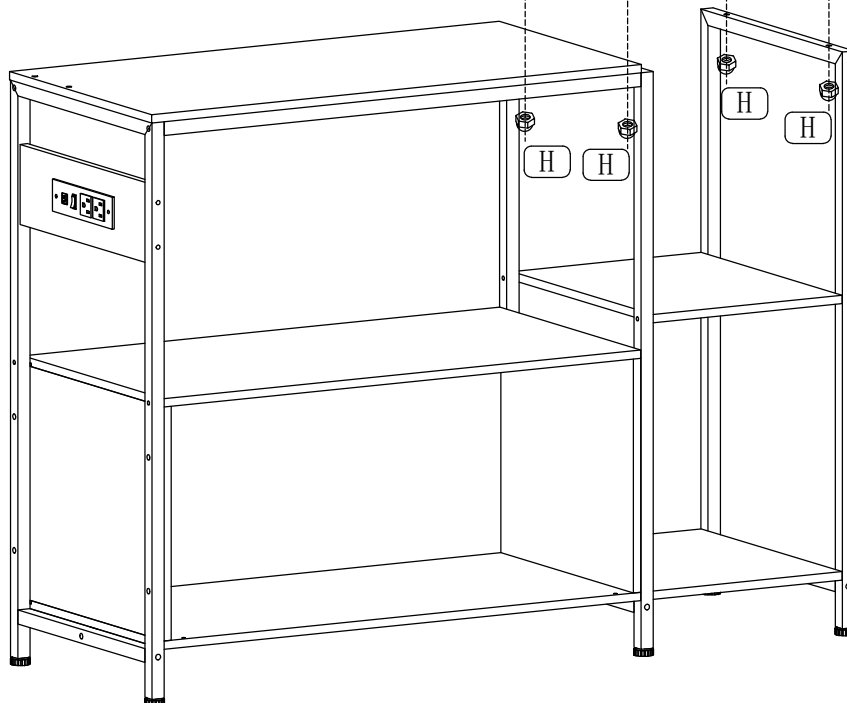
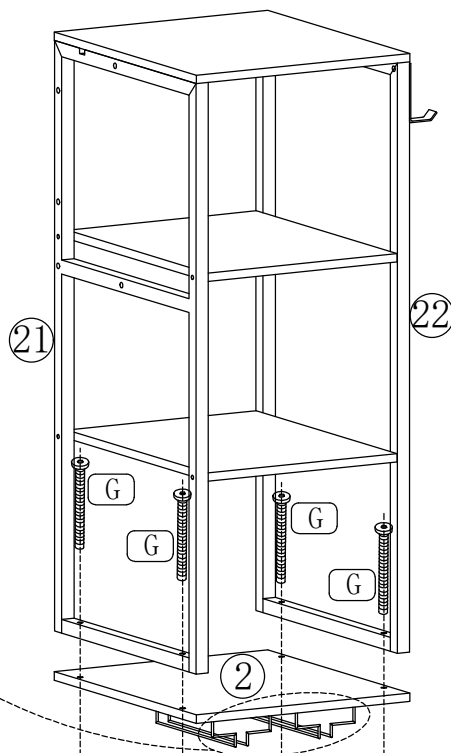
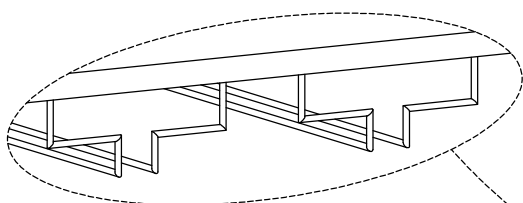
M6x10

8PCS

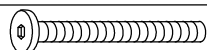
ASSEMBLY INSTRUCTION FOR SHELF

STEP20

Note the installation direction when installing component "2".



G



M6x60 4PCS

H

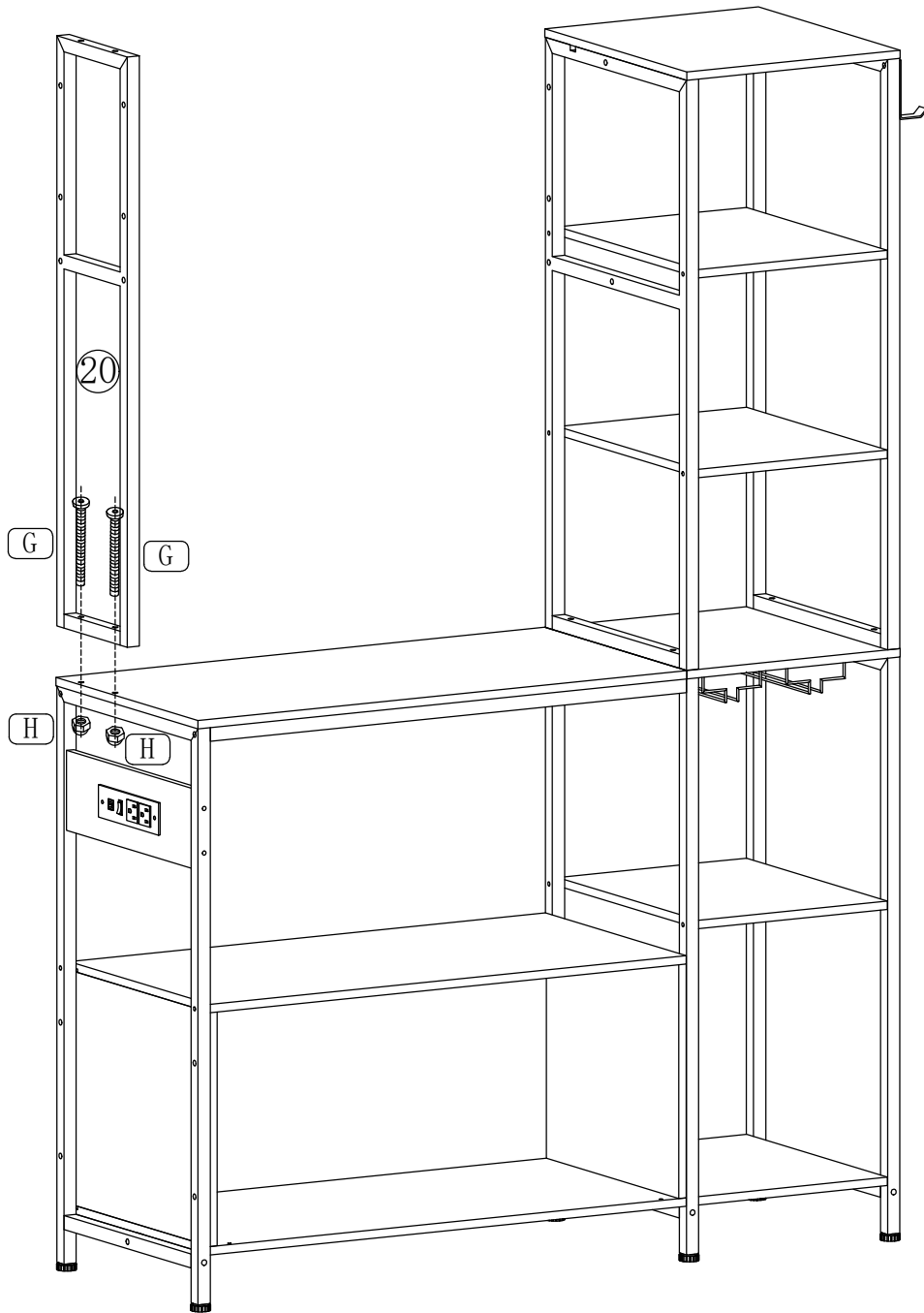


M6

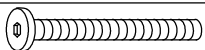
4PCS

ASSEMBLY INSTRUCTION FOR SHELF

STEP21



G



M6x60 2PCS

H



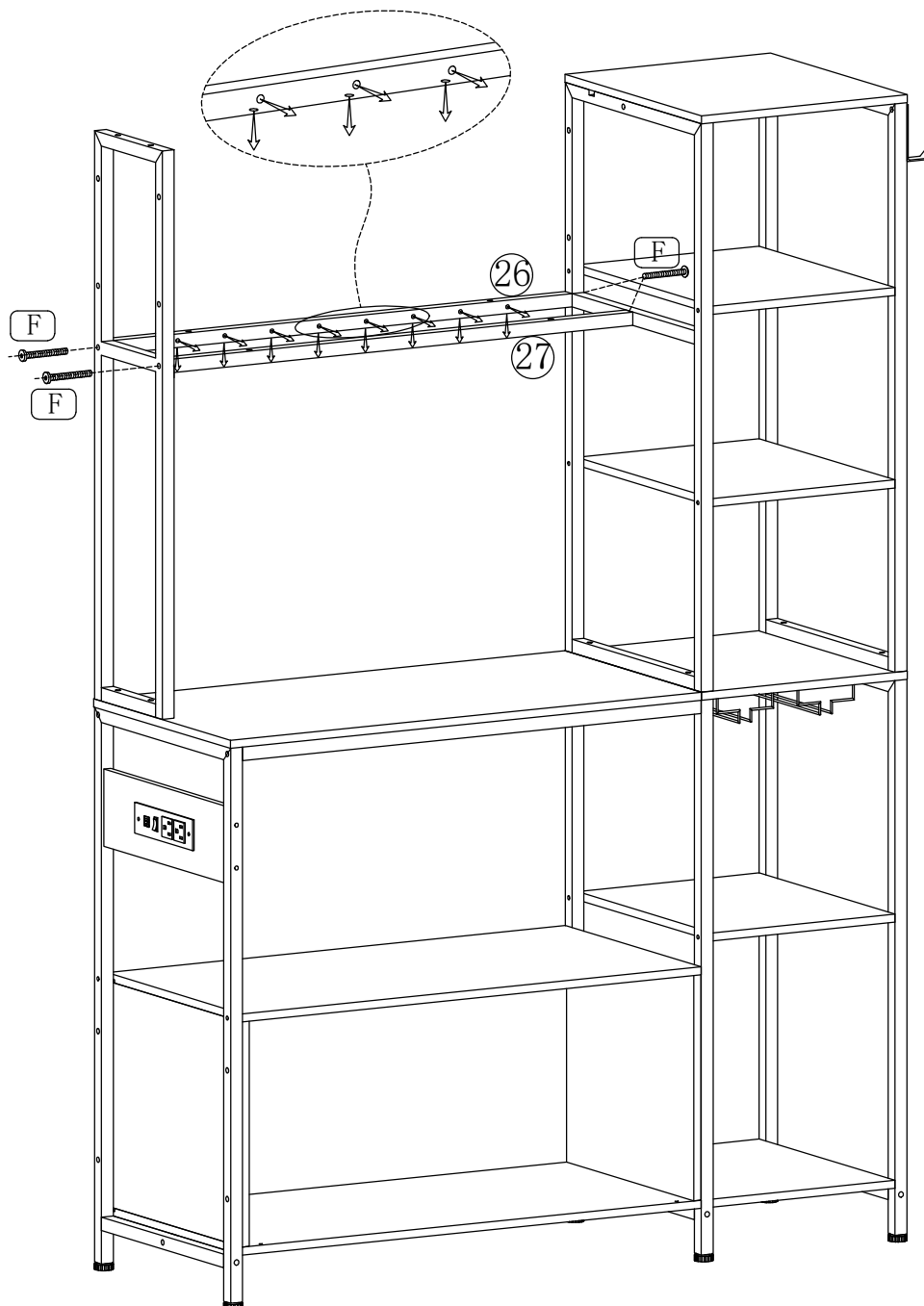
M6

2PCS

ASSEMBLY INSTRUCTION FOR SHELF

STEP22

Note the direction of the holes when installing component "26".



Note that all screws are not locked in this step.

F

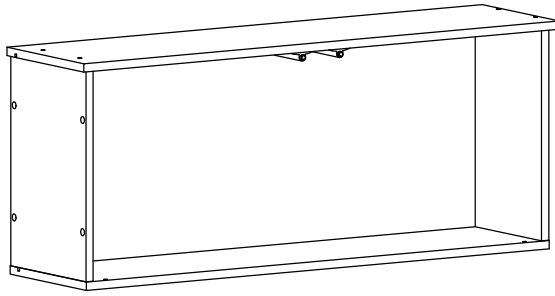


M6x40

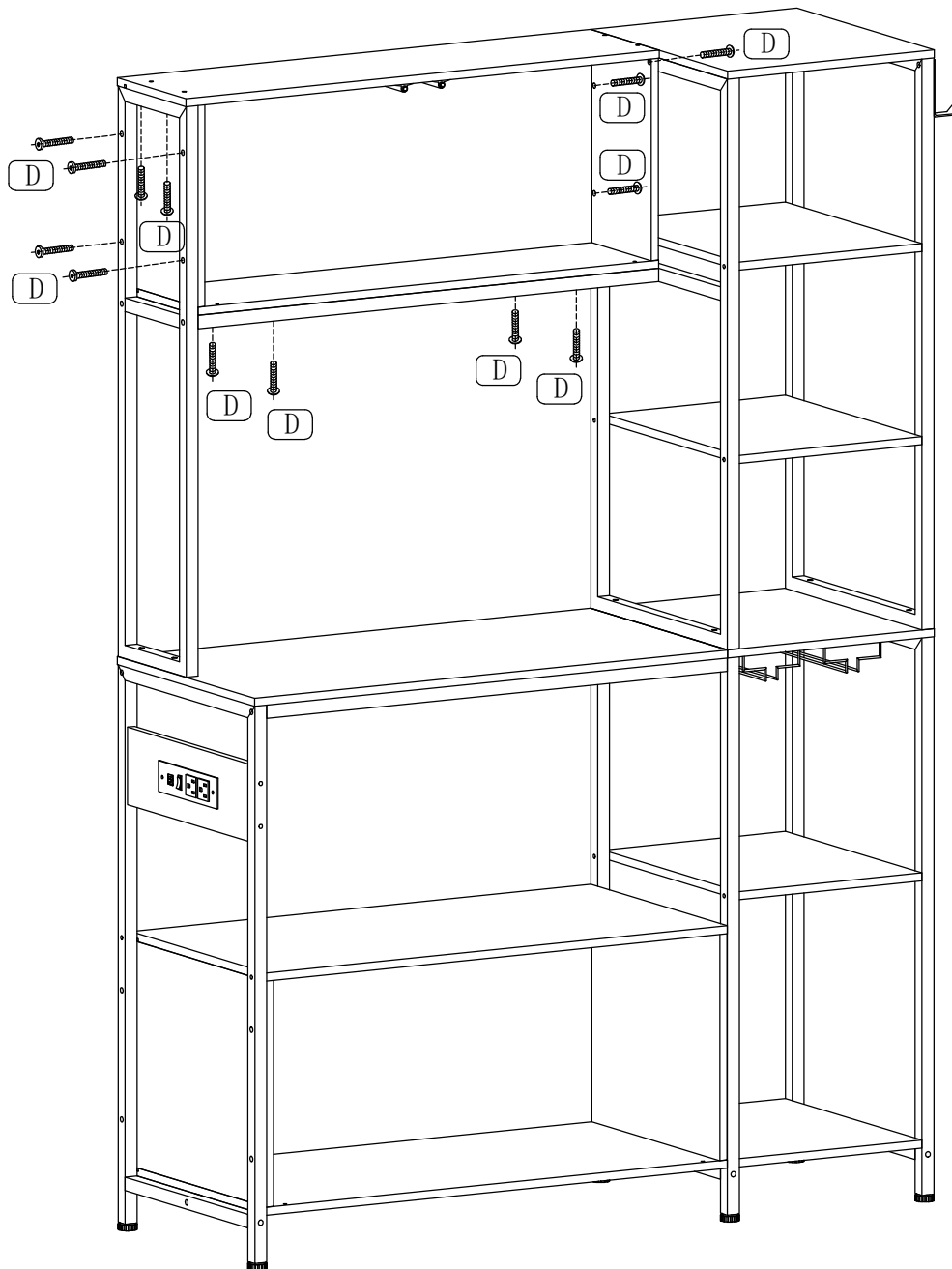
4PCS

ASSEMBLY INSTRUCTION FOR SHELF

STEP23



Note that this step will tighten all screws .



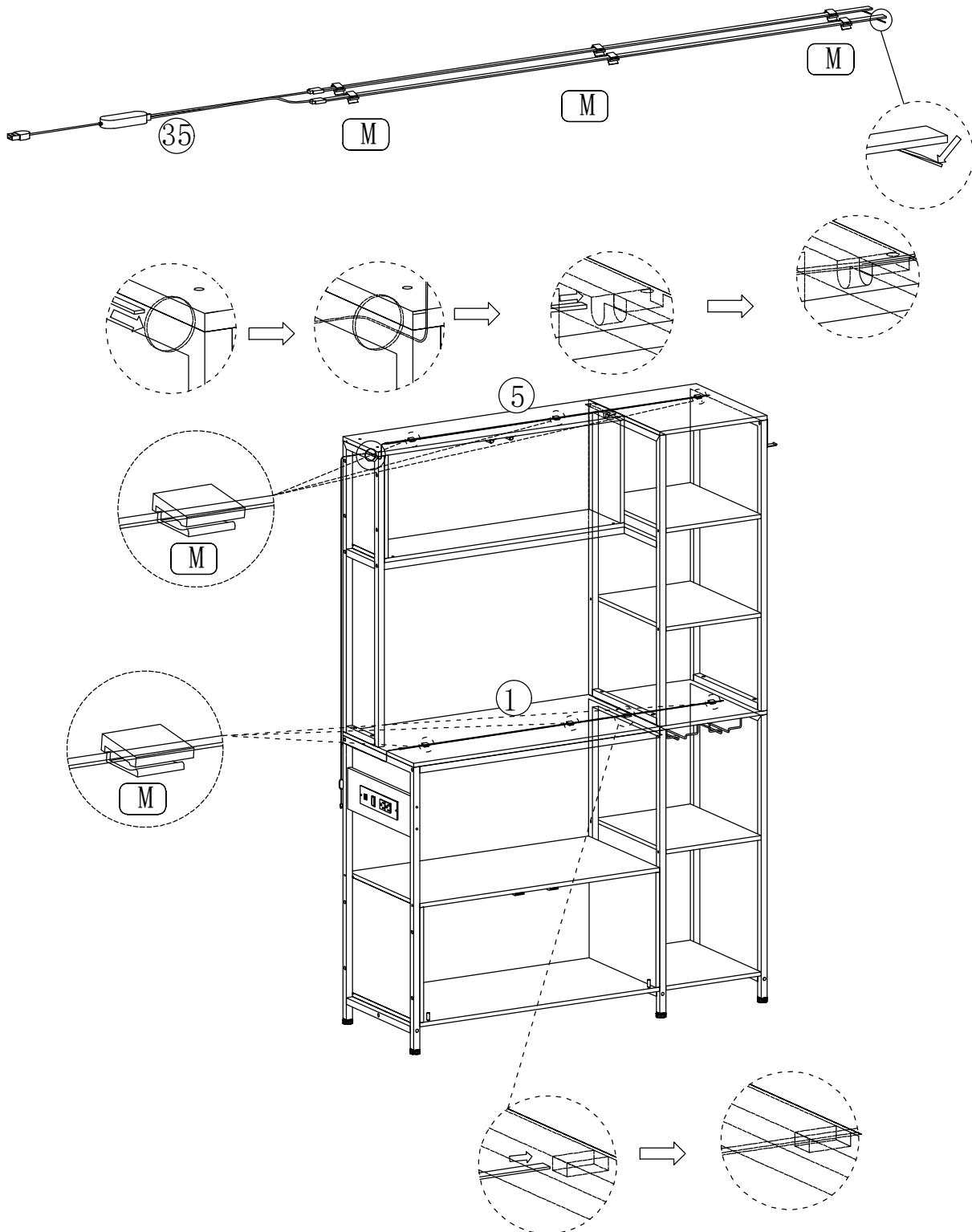
M6x25

13PCS

ASSEMBLY INSTRUCTION FOR SHELF

STEP24

Carefully remove the plastic film on the back of the light belt and transparent buckle, align the light belt with the hole, and carefully pass through; Then put the light belt into the card slot and fix it, and then paste the light belt and transparent buckle to the desired position.



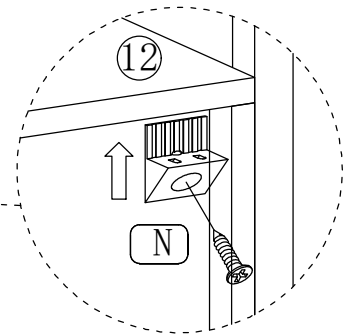
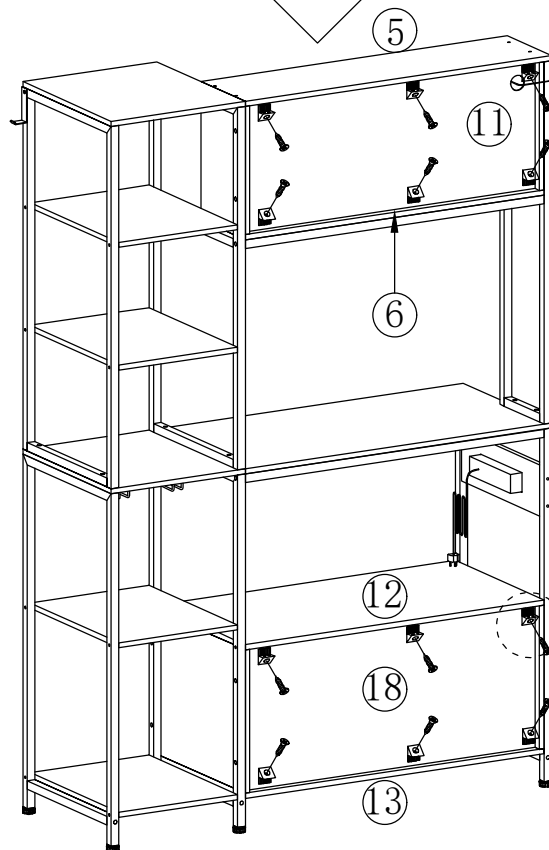
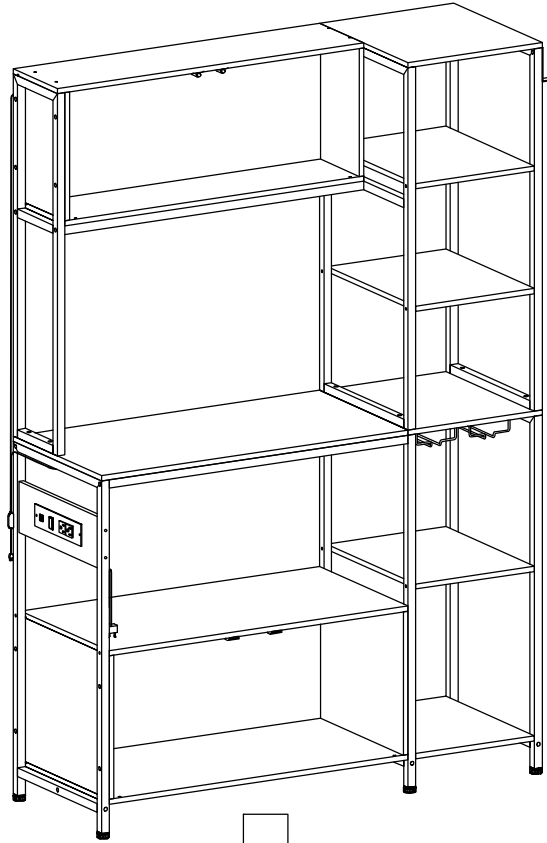
M



6PCS

ASSEMBLY INSTRUCTION FOR SHELF

STEP25



(N)

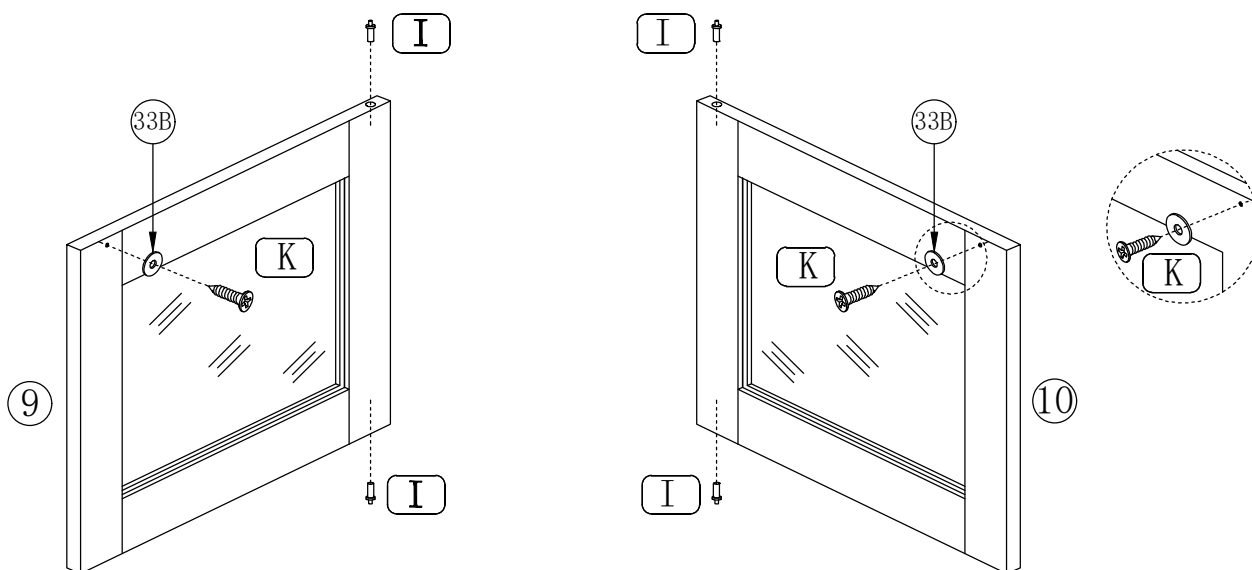


M3. 5x14

12PCS/12PCS

ASSEMBLY INSTRUCTION FOR SHELF

STEP26



I



4PCS

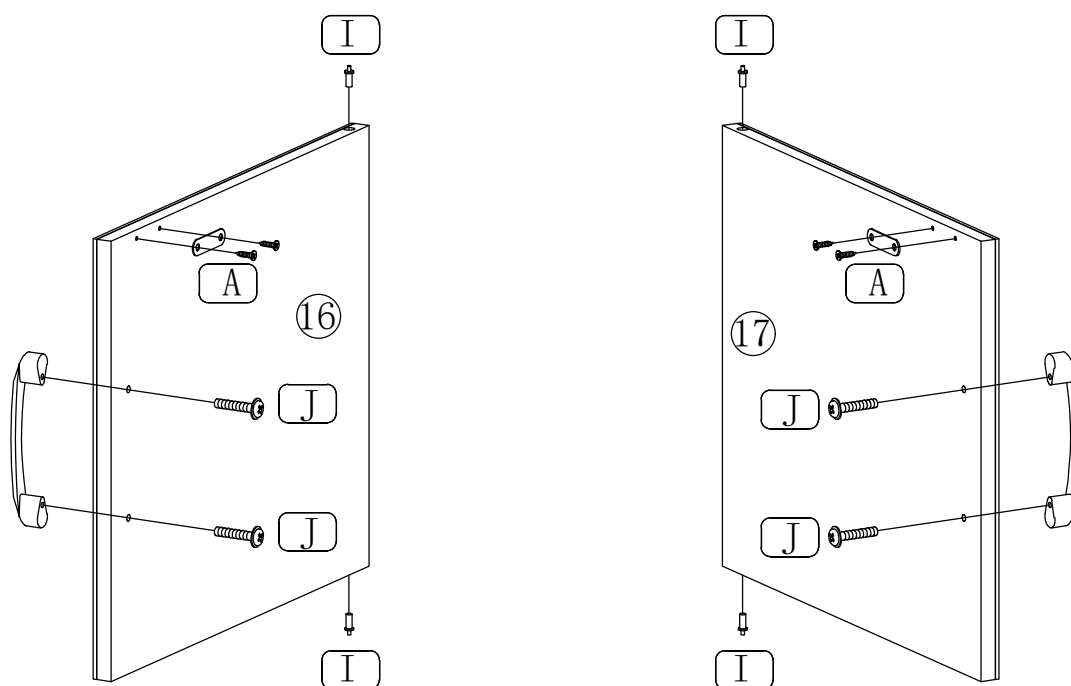
K



M3. 5x10

2PCS

STEP27



A



M3. 5x12

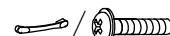
2PCS/4PCS

I



4PCS

J



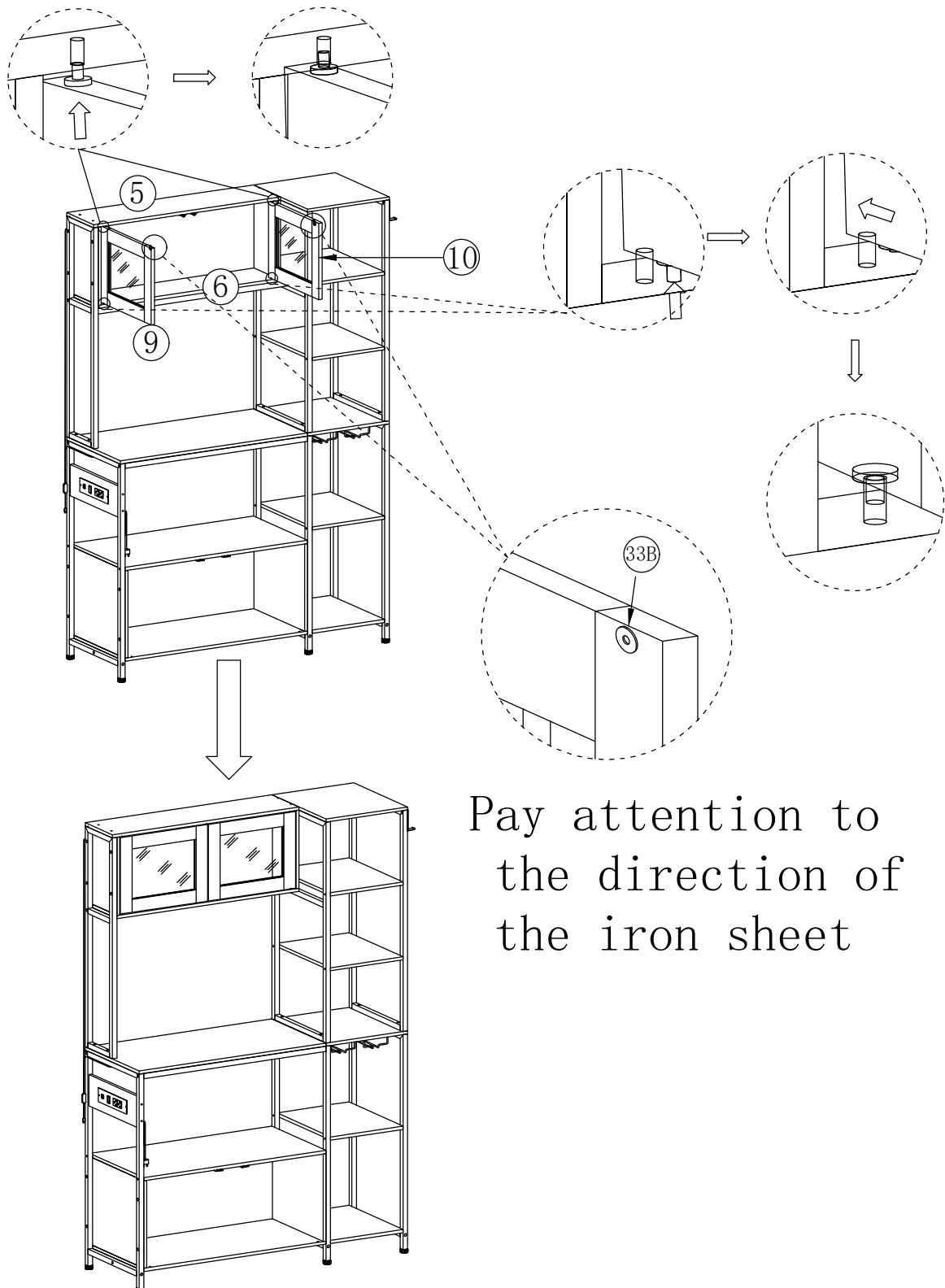
M4x18

2PCS/4PCS

ASSEMBLY INSTRUCTION FOR SHELF

STEP28

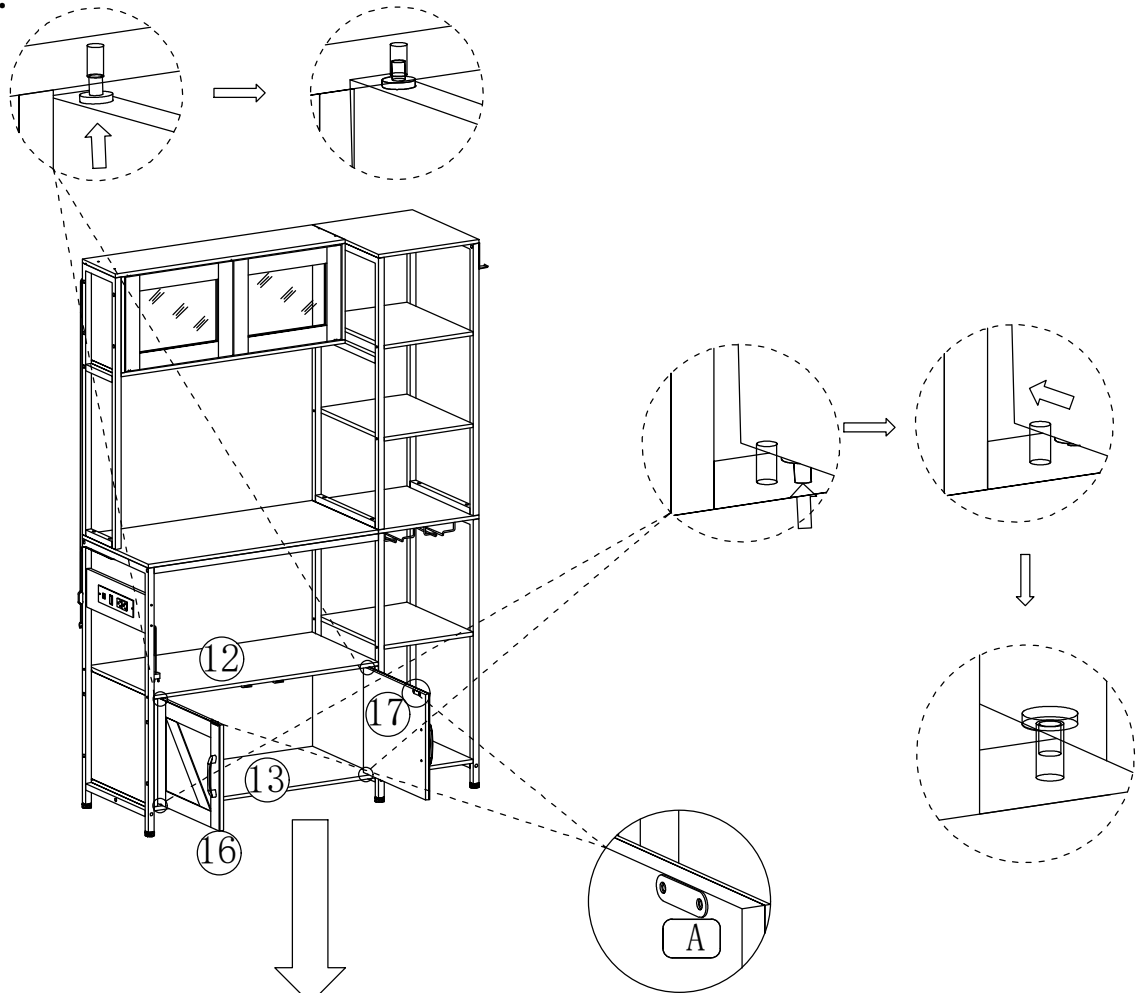
When installing the door panel, first install the bottom I connector into the holes corresponding to Components "5", then press down the end of the upper I connector until the door panel can be easily pushed into the hole corresponding to Component "6", and release the hand to make the connector I bounce up.



ASSEMBLY INSTRUCTION FOR SHELF

STEP29

When installing the door panel, first install the bottom I connector into the holes corresponding to Components "12", then press down the end of the upper I connector until the door panel can be easily pushed into the hole corresponding to Component "13", and release the hand to make the connector I bounce up.

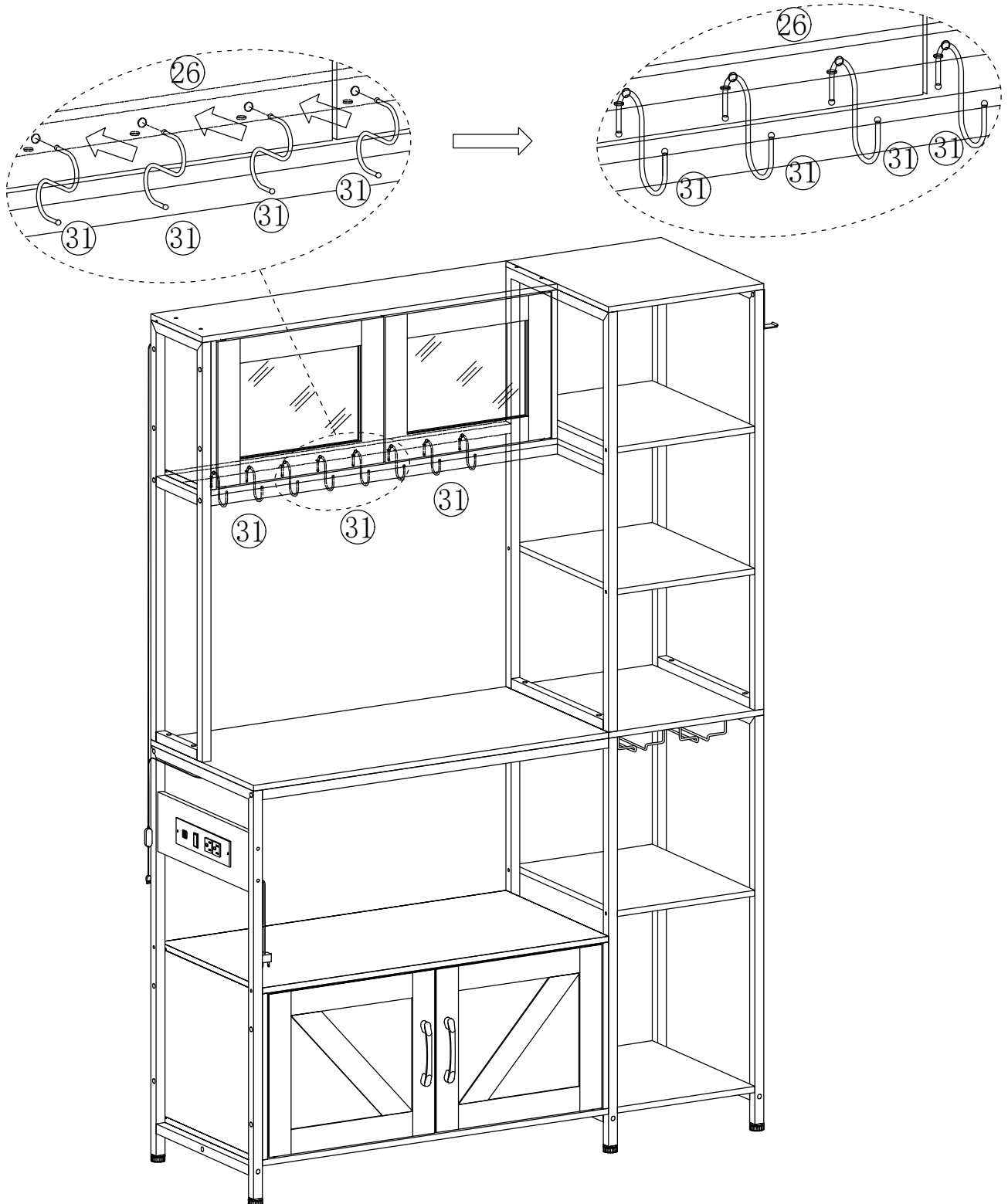


Pay attention to the direction of the iron sheet

ASSEMBLY INSTRUCTION FOR SHELF

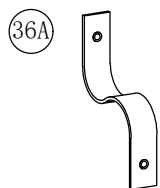
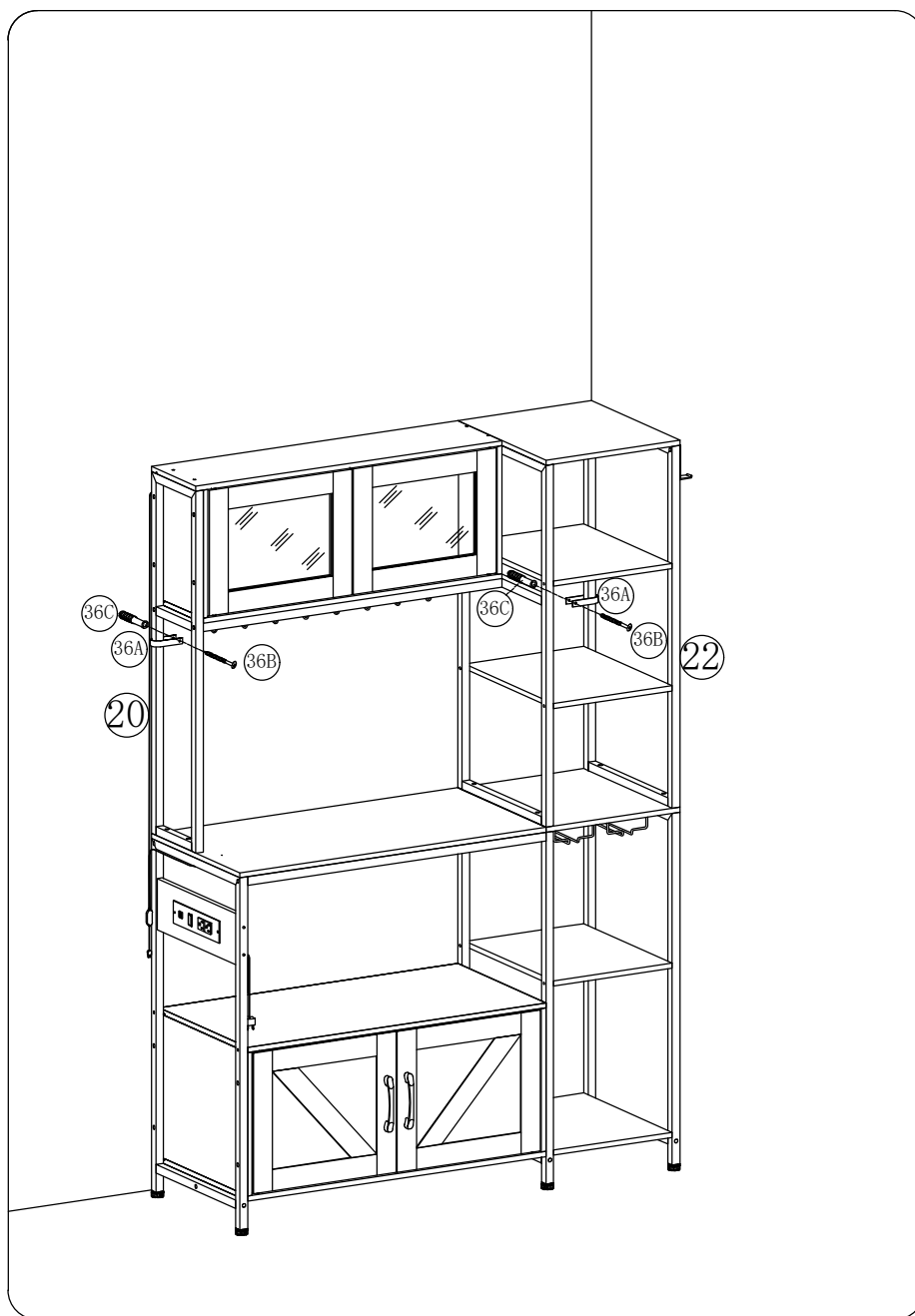
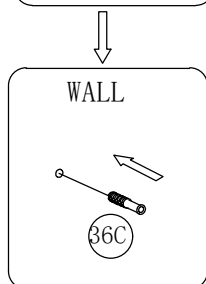
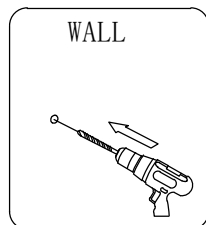
STEP30

When installing component "31", carefully install component "31" one by one until component "31" is installed.

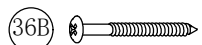


ASSEMBLY INSTRUCTION FOR SHELF

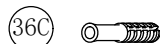
STEP31



195L 2PCS



ST4x40 2PCS



∅8x35 2PCS