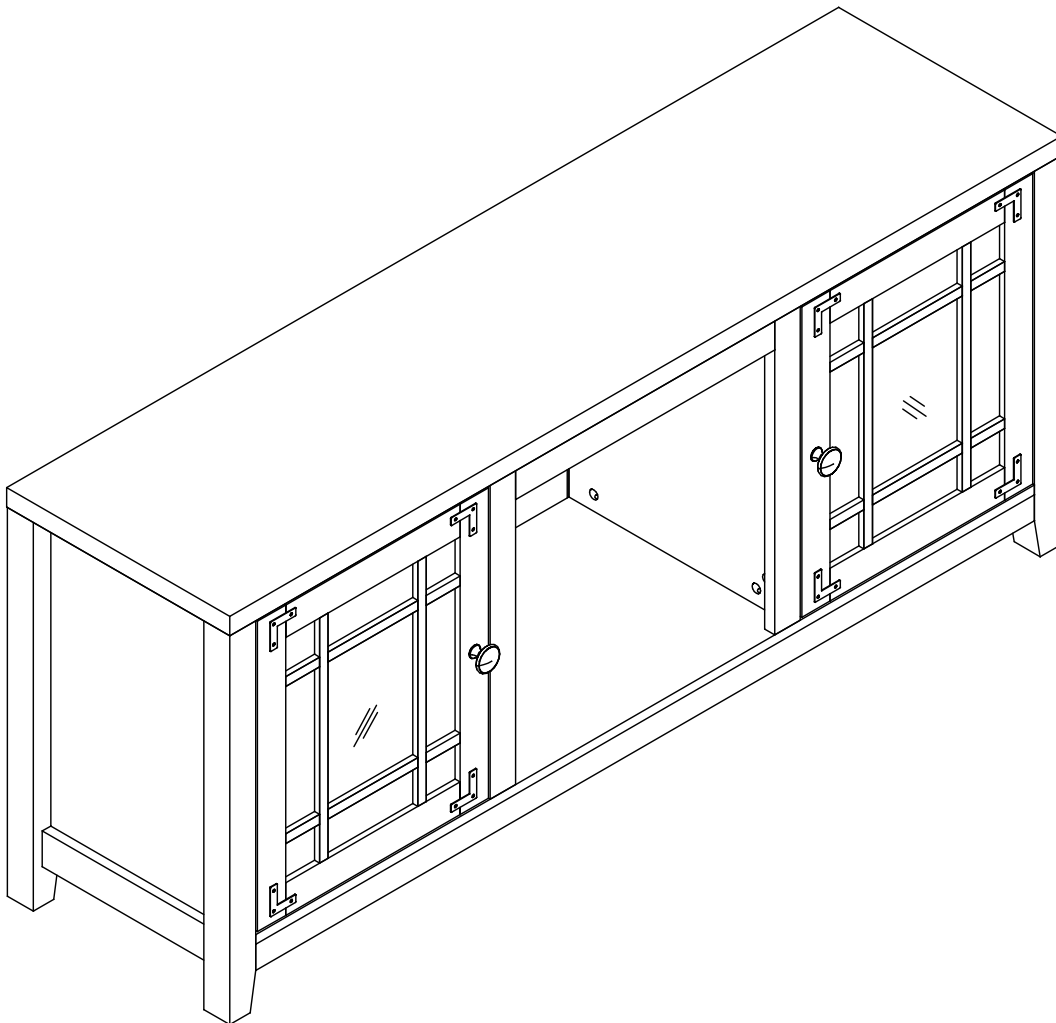


ASSEMBLY INSTRUCTION

58" TV stand

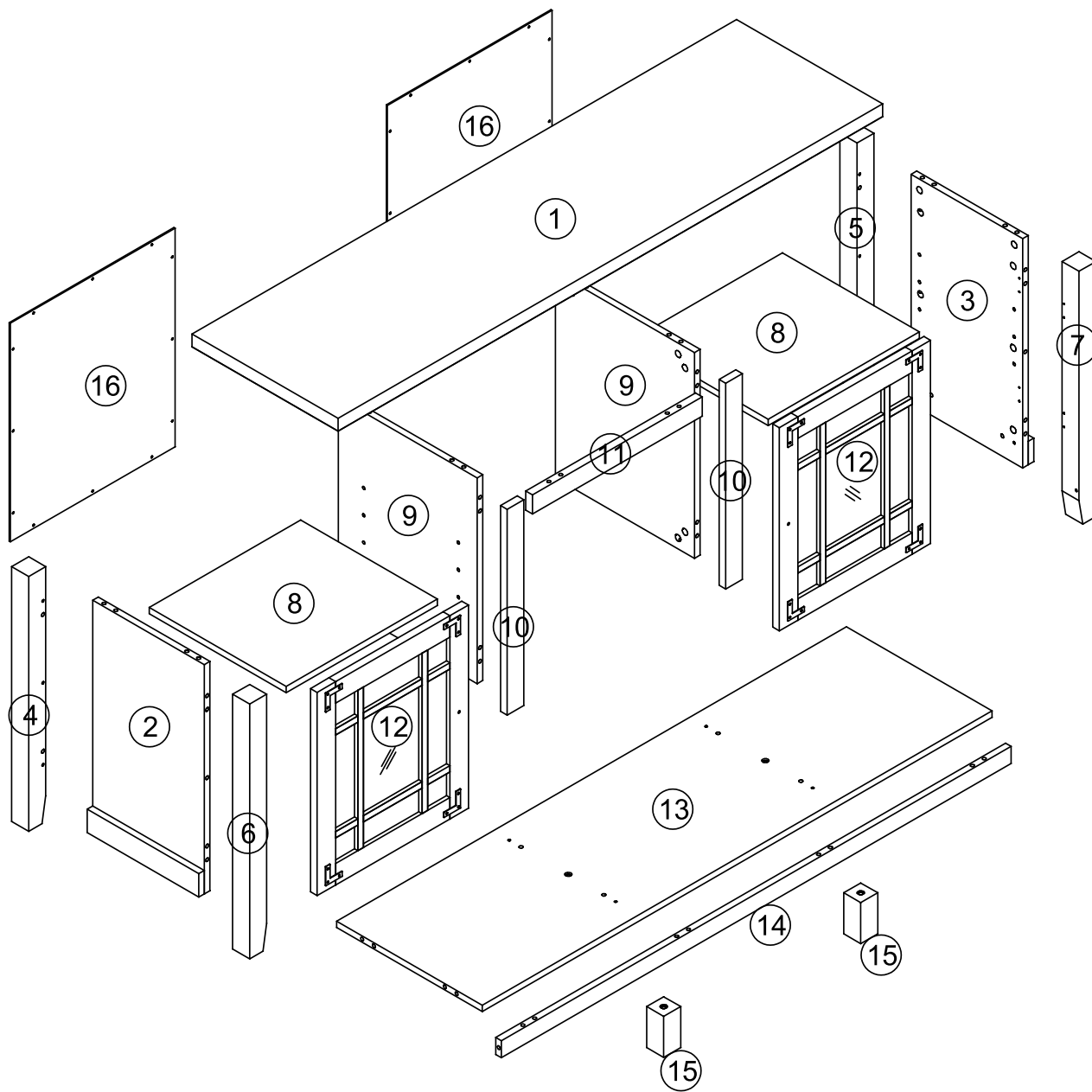


THIS INSTRUCTION BOOKLET IS IMPORTANT. PLEASE READ CAREFULLY.
AND KEEP FOR FUTURE REFERENCE.

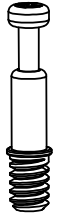

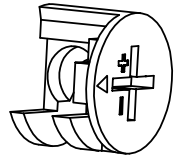
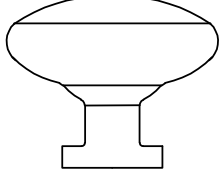


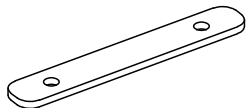
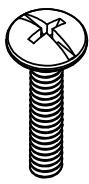

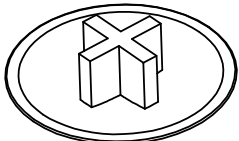
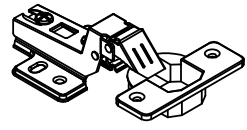
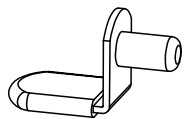
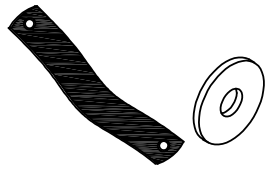
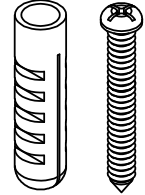

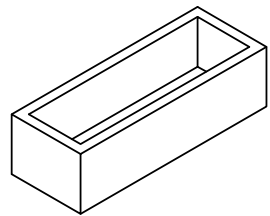
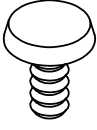


Before You Start




- ⚠ Please read all instructions carefully.
- ⚠ Retain instructions for future reference.
- ⚠ Separate and count all parts and hardware.
- ⚠ Read through each step carefully and follow the proper order.
- ⚠ We recommend that, where possible, all items are assembled near to the area in which they will be placed in use, to avoid moving the product unnecessarily once assembled.
- ⚠ Always place the product on a flat, steady and stable surface.
- ⚠ Keep all small parts and packaging materials for this product away from babies and children as they potentially pose a serious choking hazard.

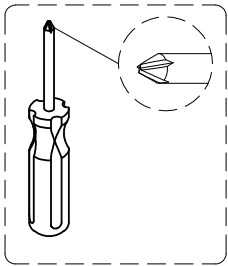
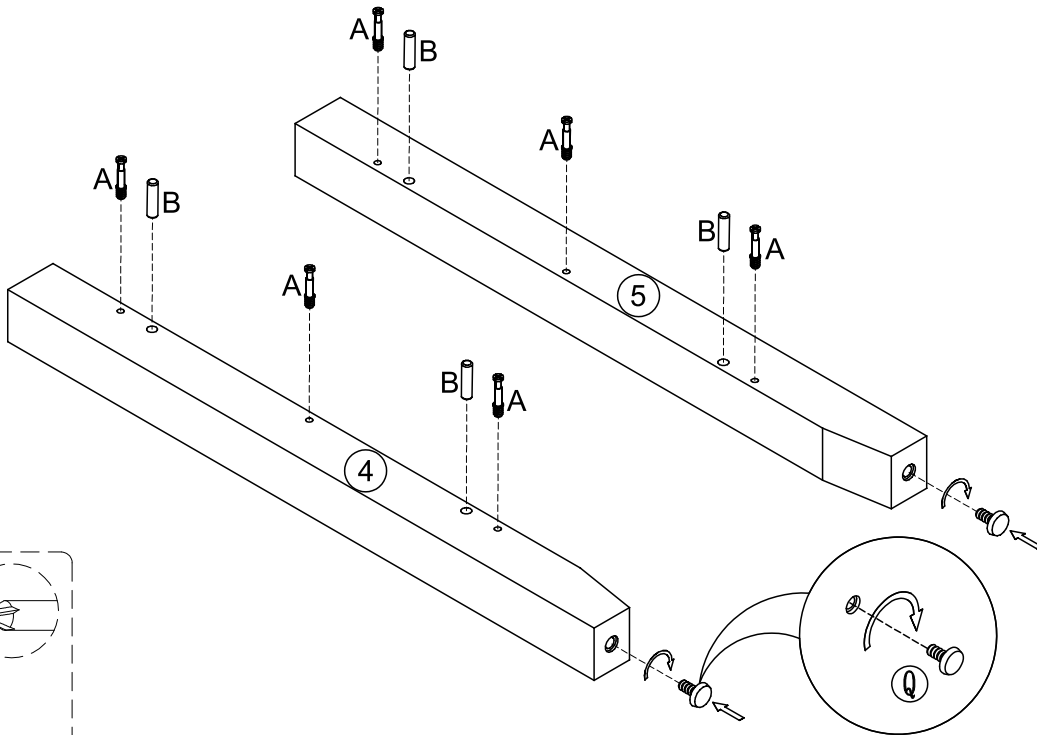


PACKAGE CONTENT		
CODR	DESCRIPTION	QTY
1	Countertop Board	1
2	Left side panel	1
3	Right side panel	1
4	Left rear leg pillar	1
5	Right rear leg pillar	1
6	Left front and rear leg pillar	1
7	Right front leg pillar	1
8	Movable Shelf	2
9	Middle side panel	2
10	Middle vertical blocking bar	2
11	Middle horizontal bar	1
12	Door plank	2
13	Floor	1
14	Bottom standing water	1
15	Midfoot pillar	2
16	Backboard	2




<p>(A)</p>  <p>40X+1X</p>	<p>(B)</p> <p>Ø8x30mm</p>  <p>34X+1X</p>	<p>(C)</p> <p>Ø15</p>  <p>40X+1X</p>	<p>(D)</p>  <p>2X</p>
<p>(E)</p> <p>Ø3.9x 15mm Silvery</p>  <p>24X+1X</p>	<p>(F)</p> <p>Ø3.5x16mm</p>  <p>26X+1X</p>	<p>(G)</p>  <p>2X</p>	<p>(H)</p> <p>Ø5/32"x 22mm</p>  <p>2X</p>
<p>(I)</p> <p>Ø1/4"x 30mm</p>  <p>2X</p>	<p>(J)</p>  <p>30X</p>	<p>(K)</p>  <p>4X</p>	<p>(L)</p>  <p>8X</p>
<p>(M)</p>  <p>2X+4X</p>	<p>(N)</p>  <p>2X+2X</p>	<p>(O)</p> <p>Ø3.9x 15mm Black</p>  <p>8X</p>	<p>(P)</p>  <p>2X</p>
<p>(Q)</p>  <p>6X</p>			

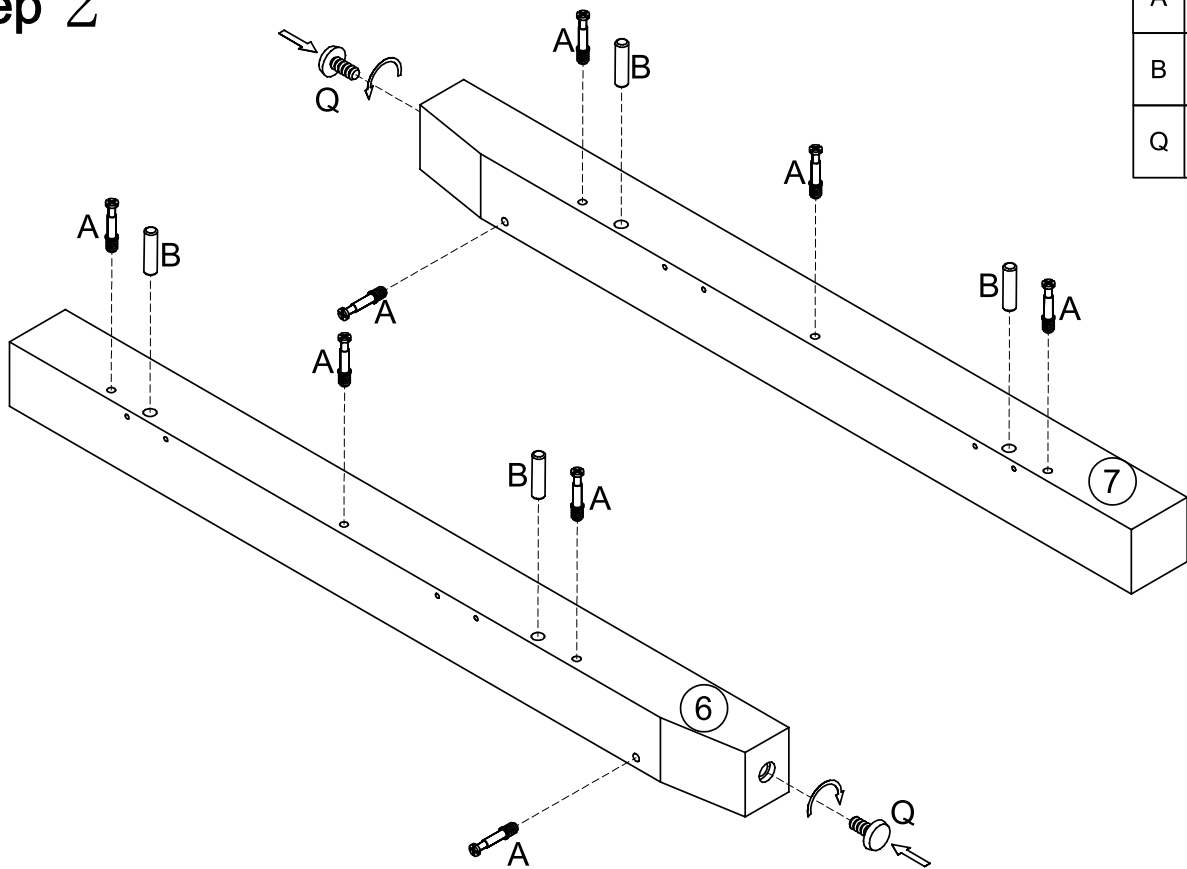
Step 1

A		6
B		4
Q		2






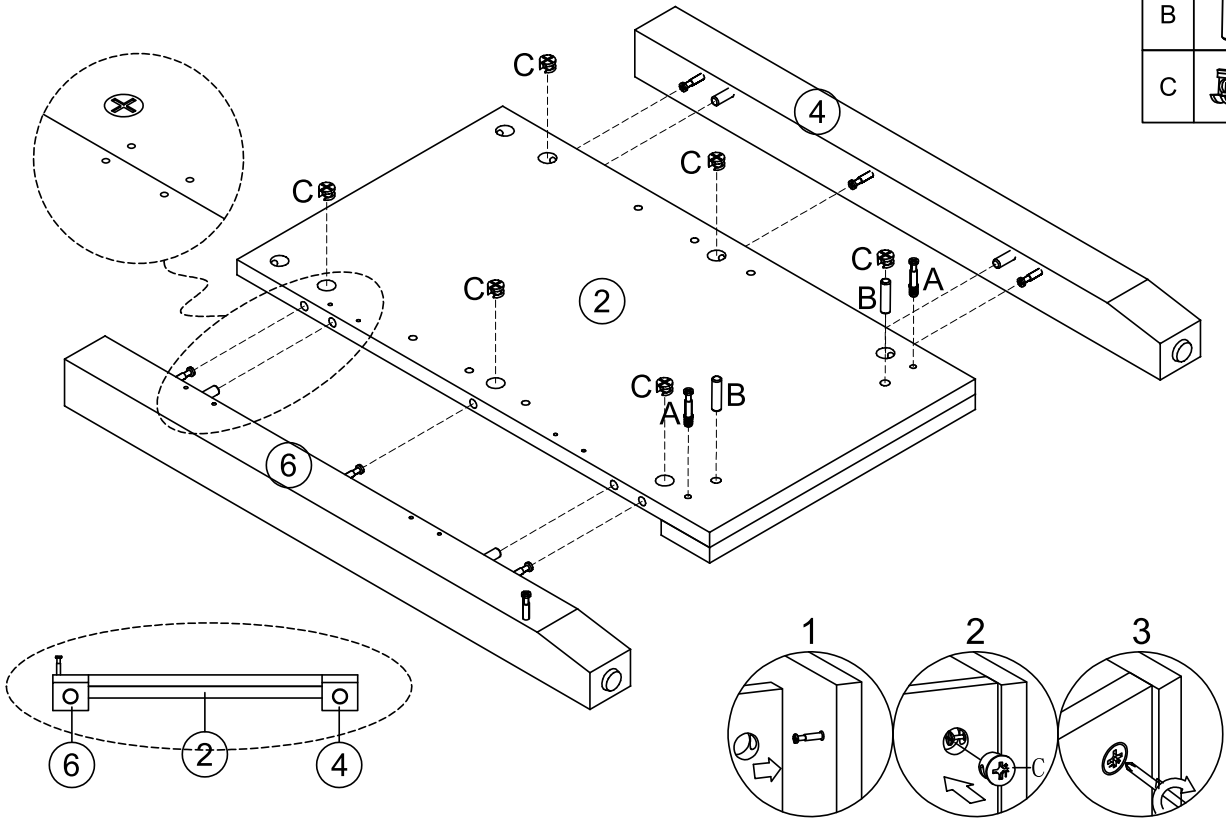
Step 2

A		8
B		4
Q		2






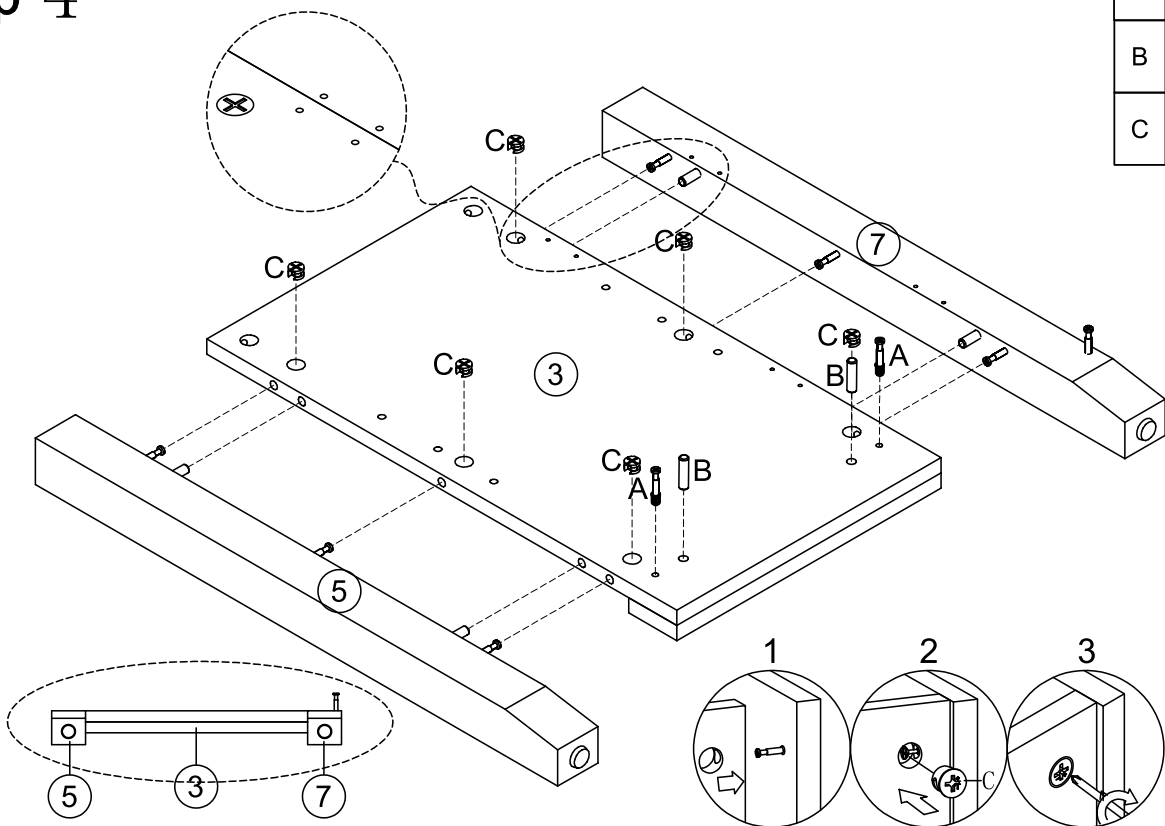
Step 3

A		2
B		2
C		6


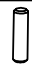


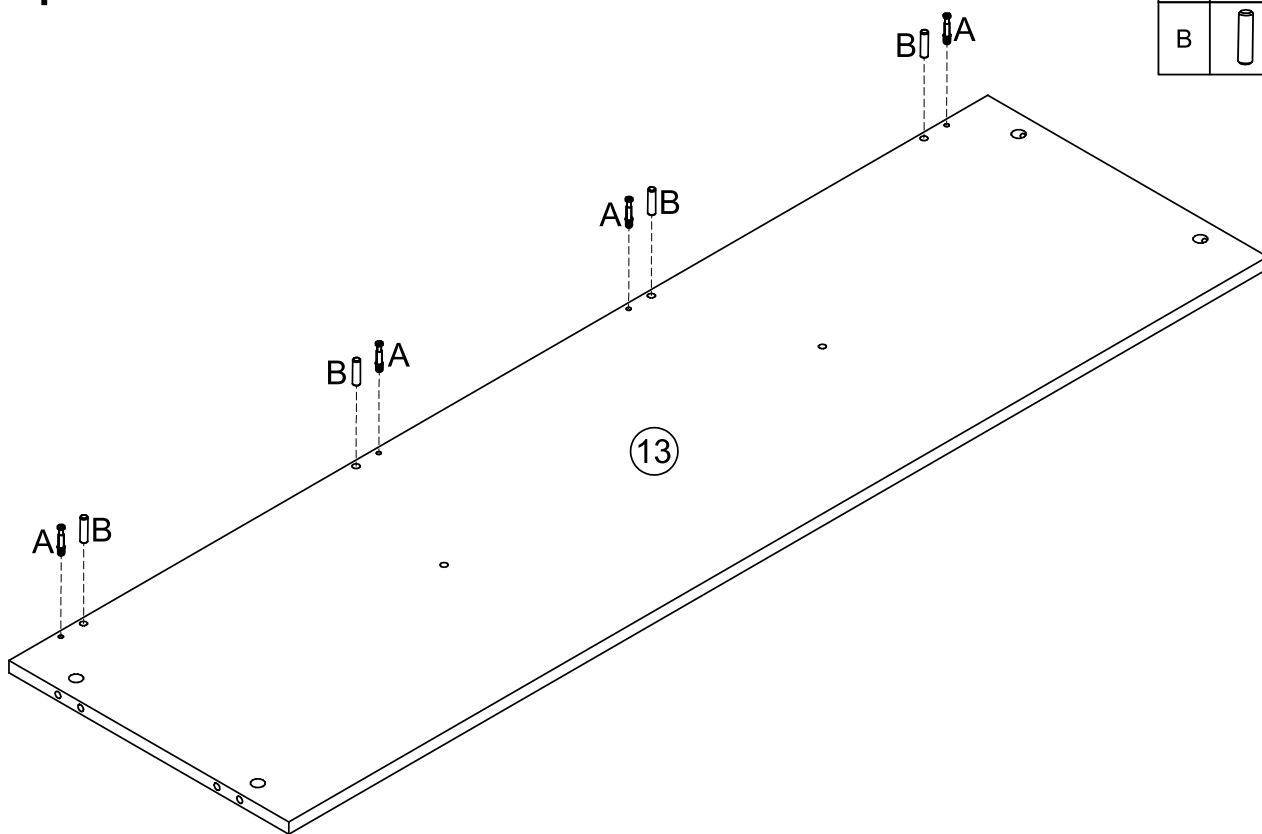
Step 4

A		2
B		2
C		6




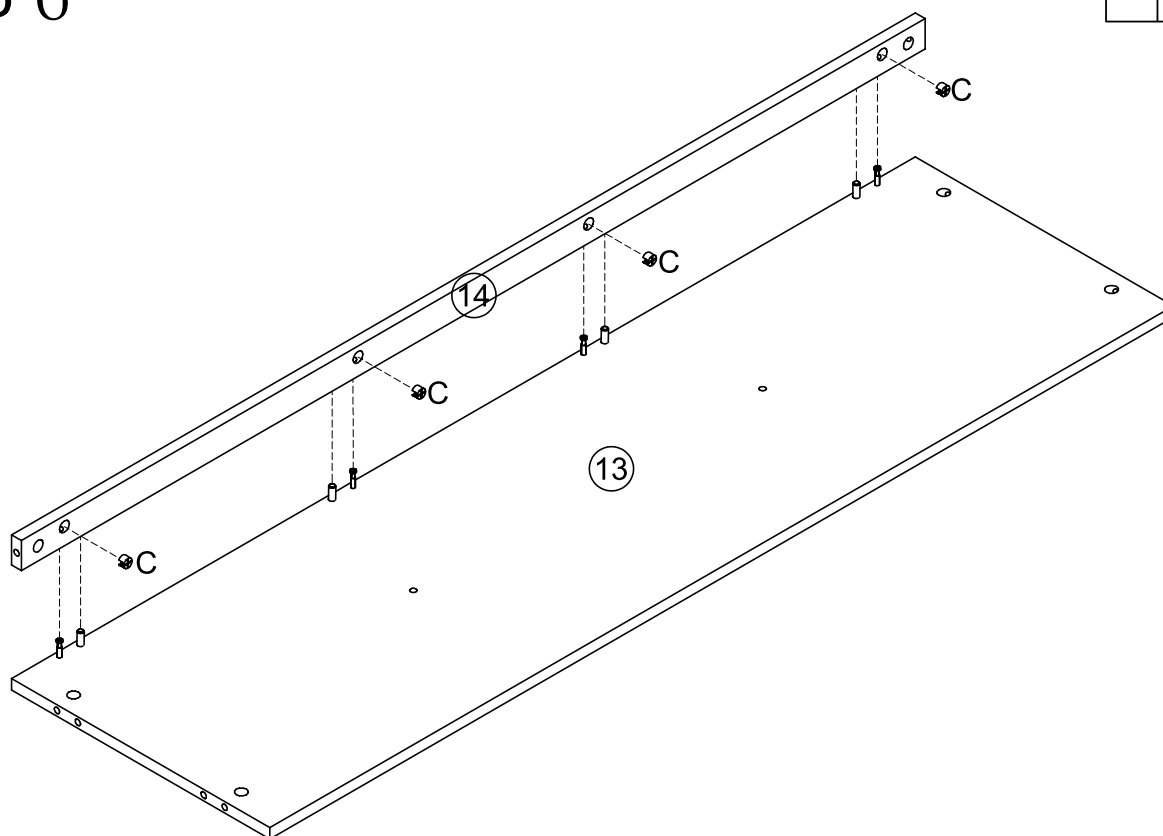
Step 5

A		4
B		4





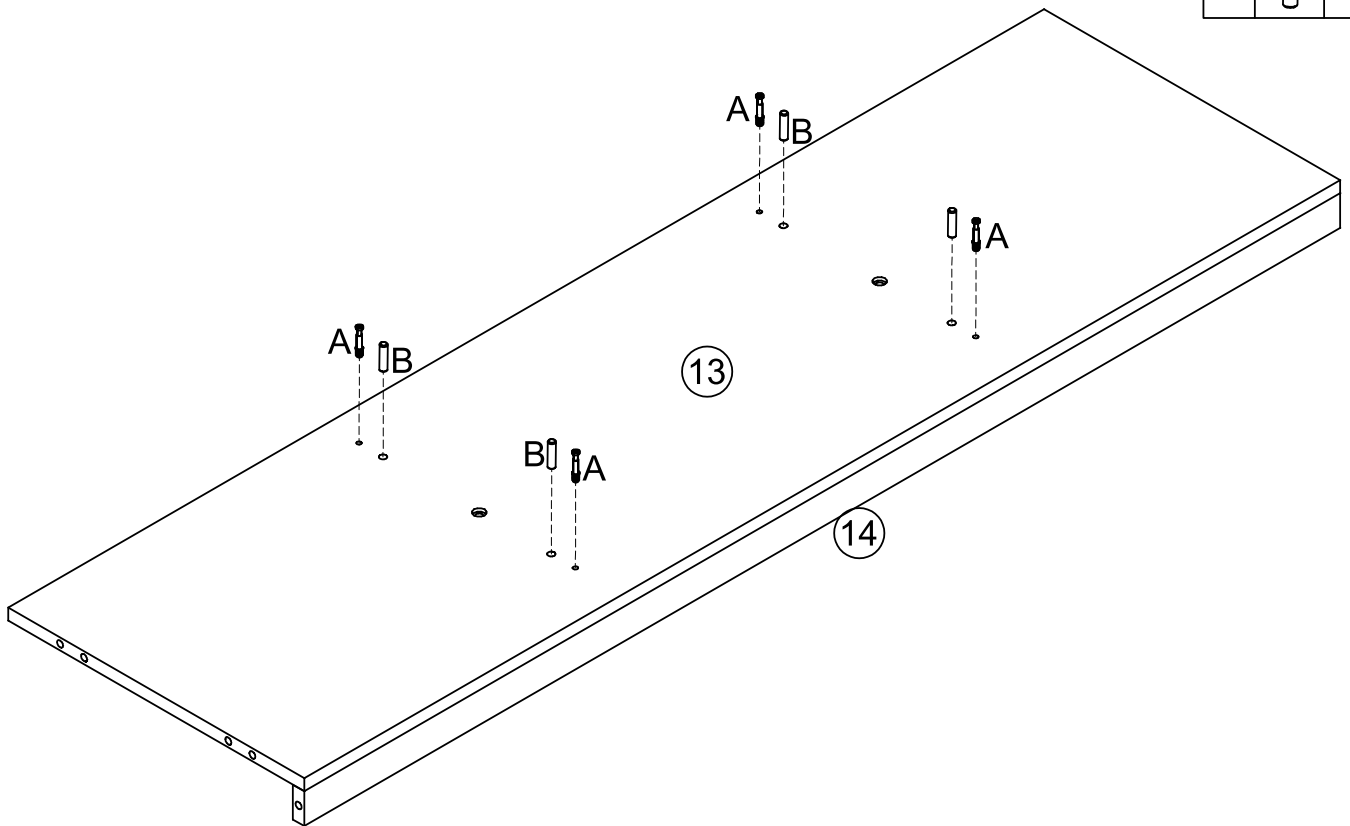
Step 6

C		4
---	---	---





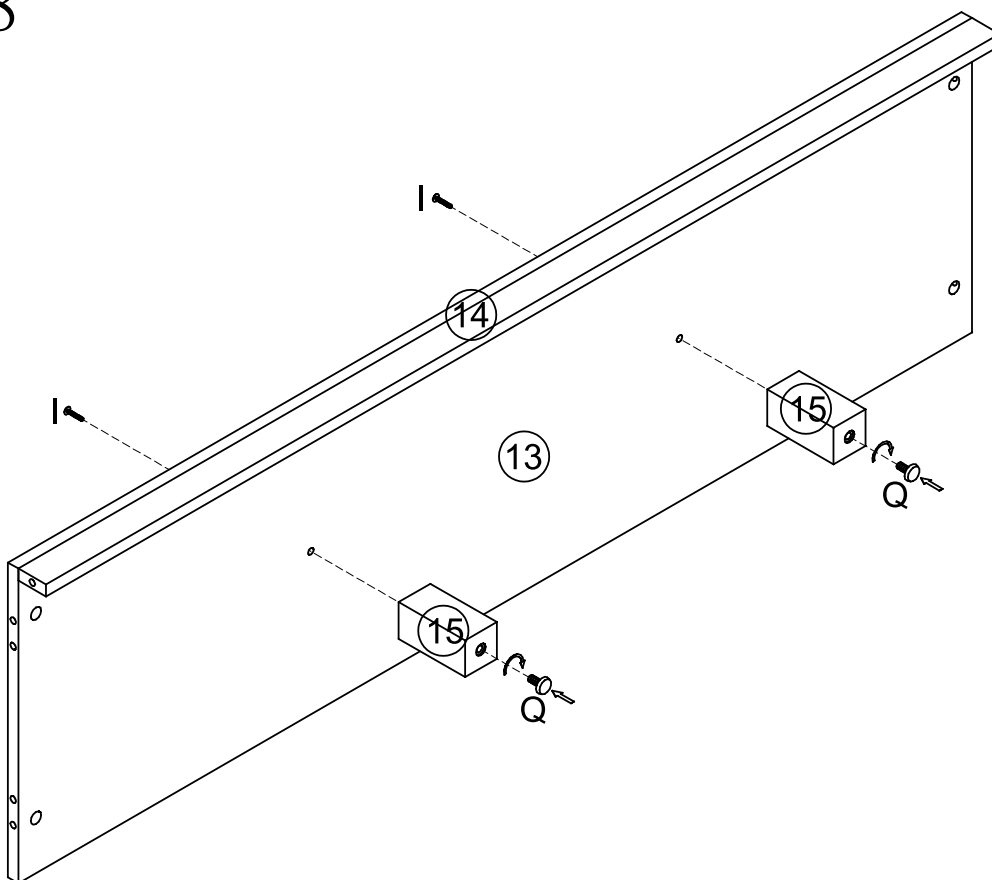
Step 7

A		4
B		4

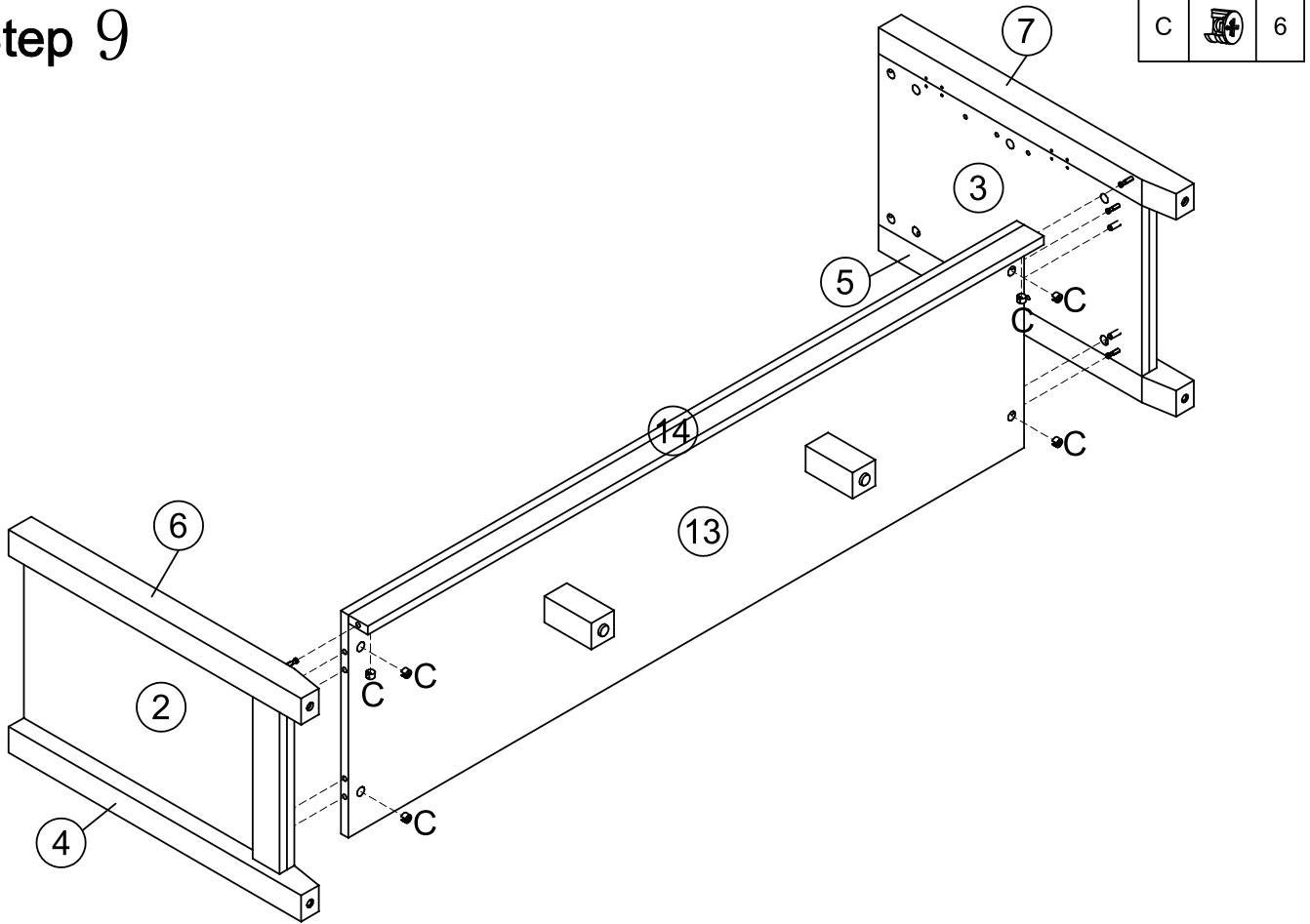


Step 8

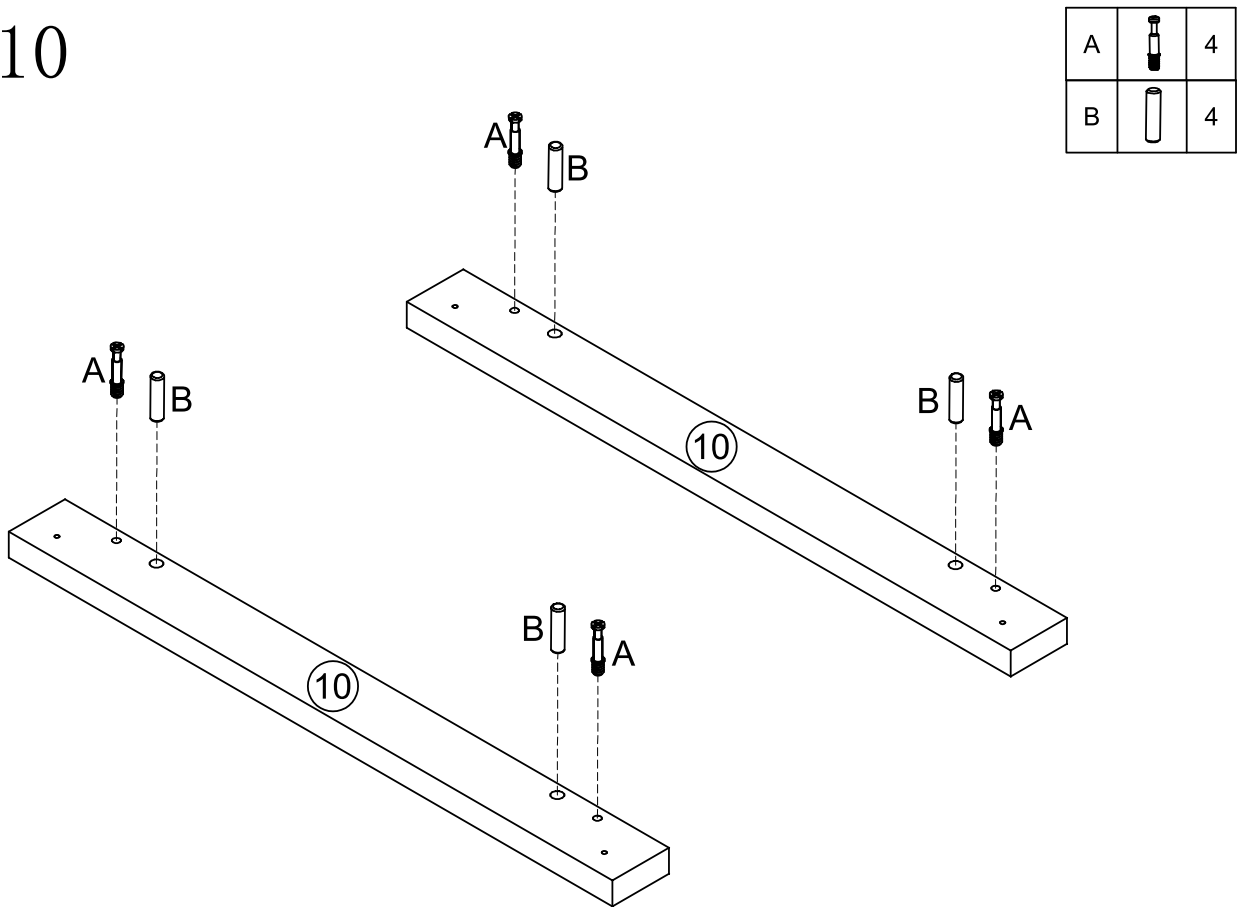
I		2
Q		2




Step 9

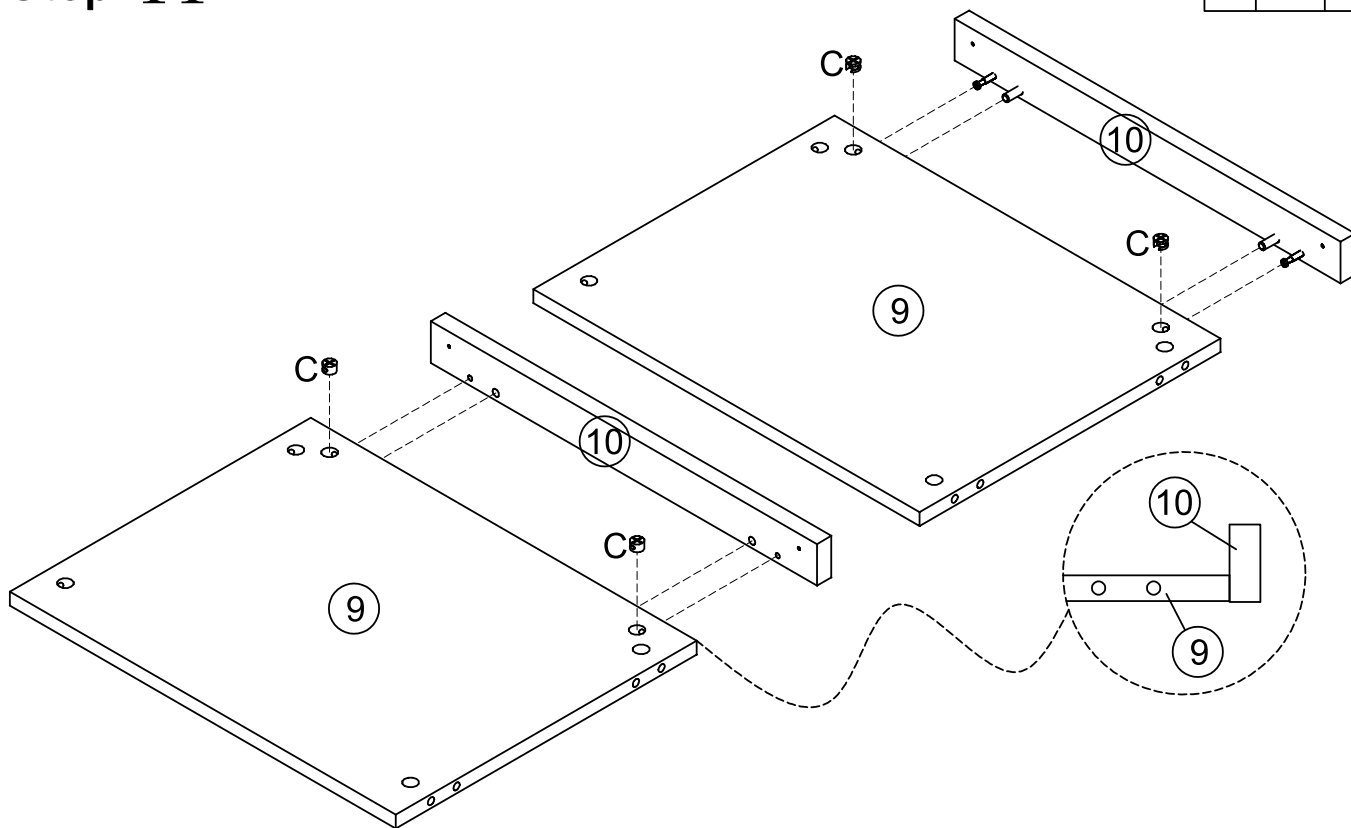


Step 10




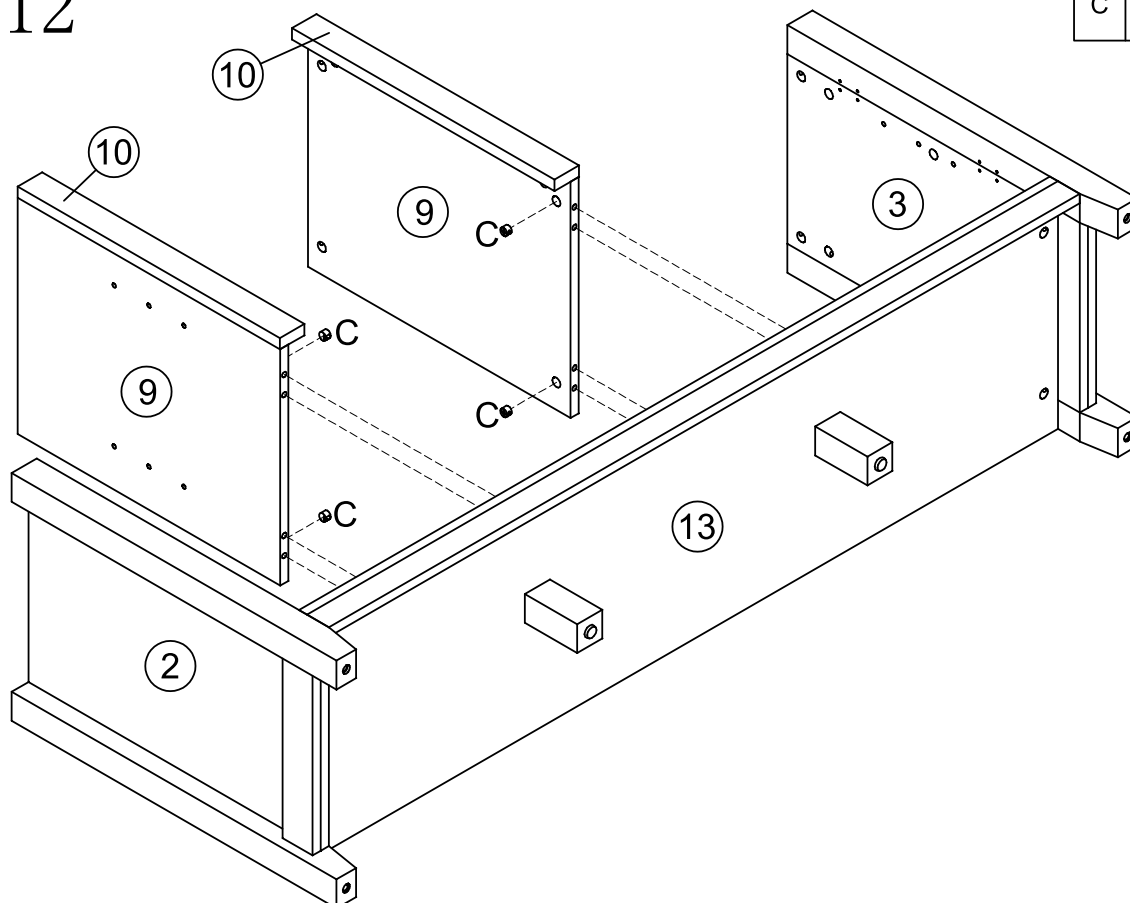
Step 11

C		4
---	---	---







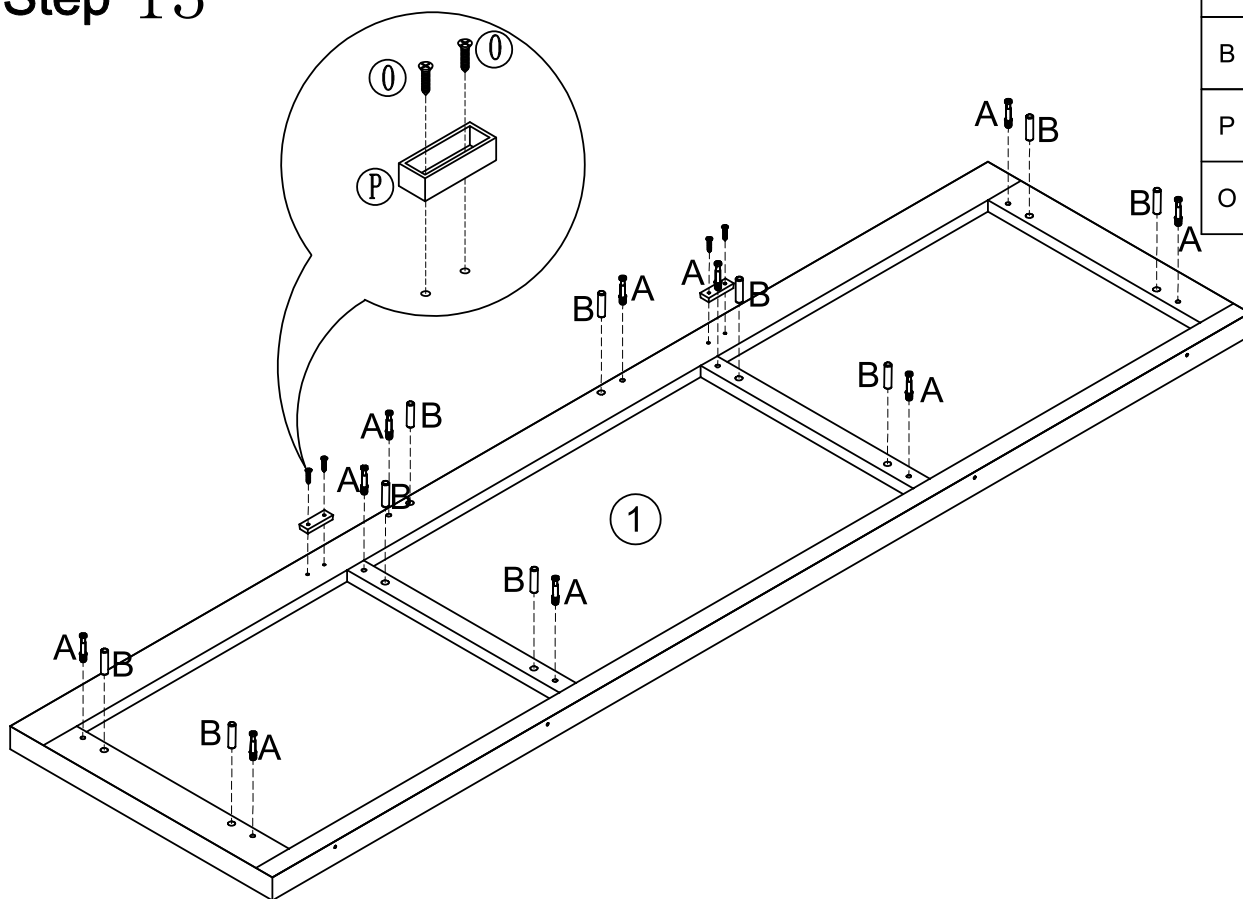
Step 12

C		4
---	---	---




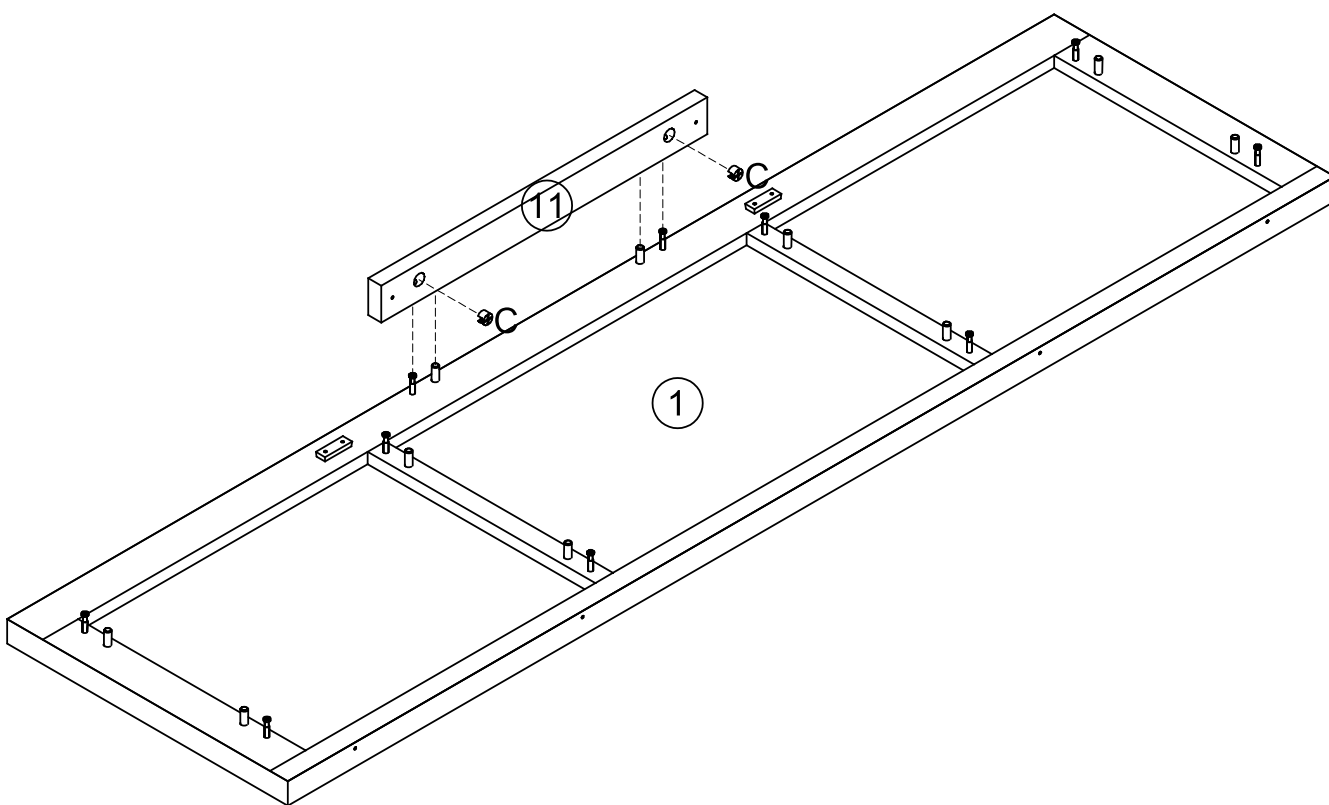
Step 13

A		10
B		10
P		2
O		4




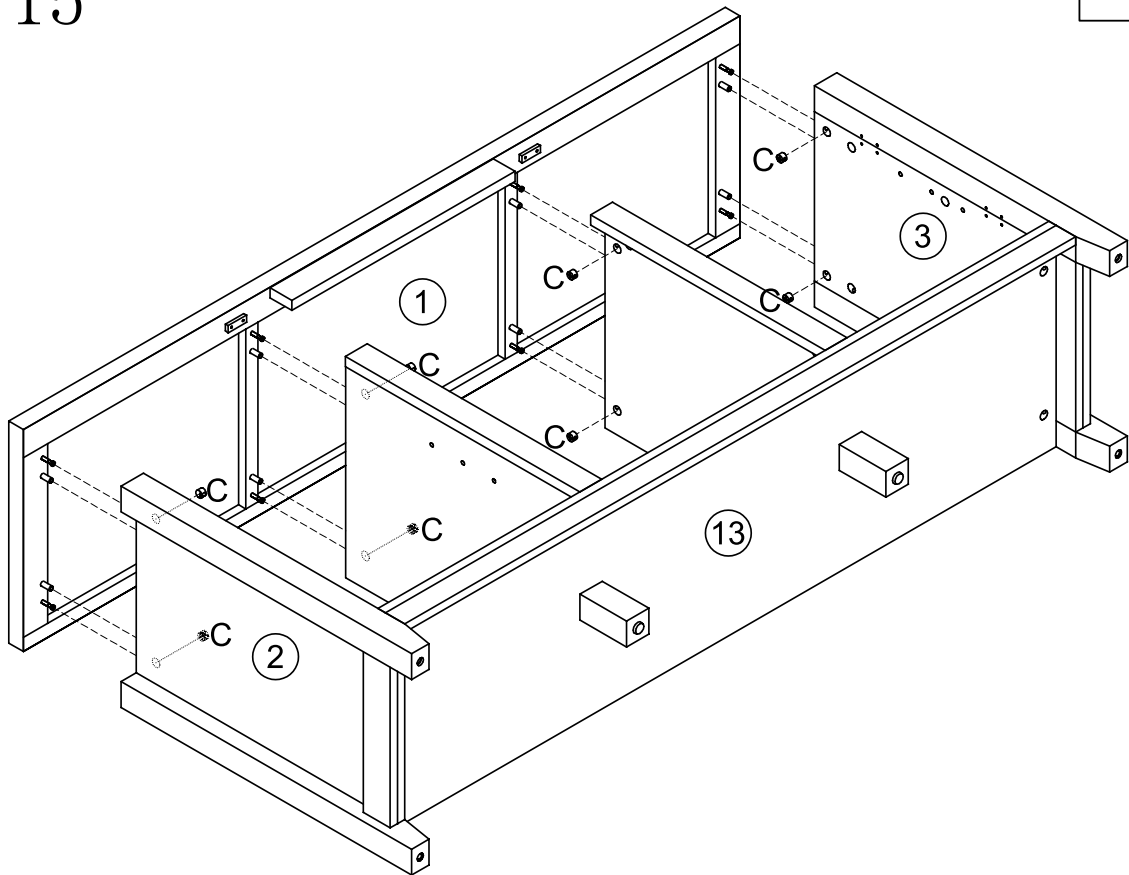
Step 14

C		2
---	---	---



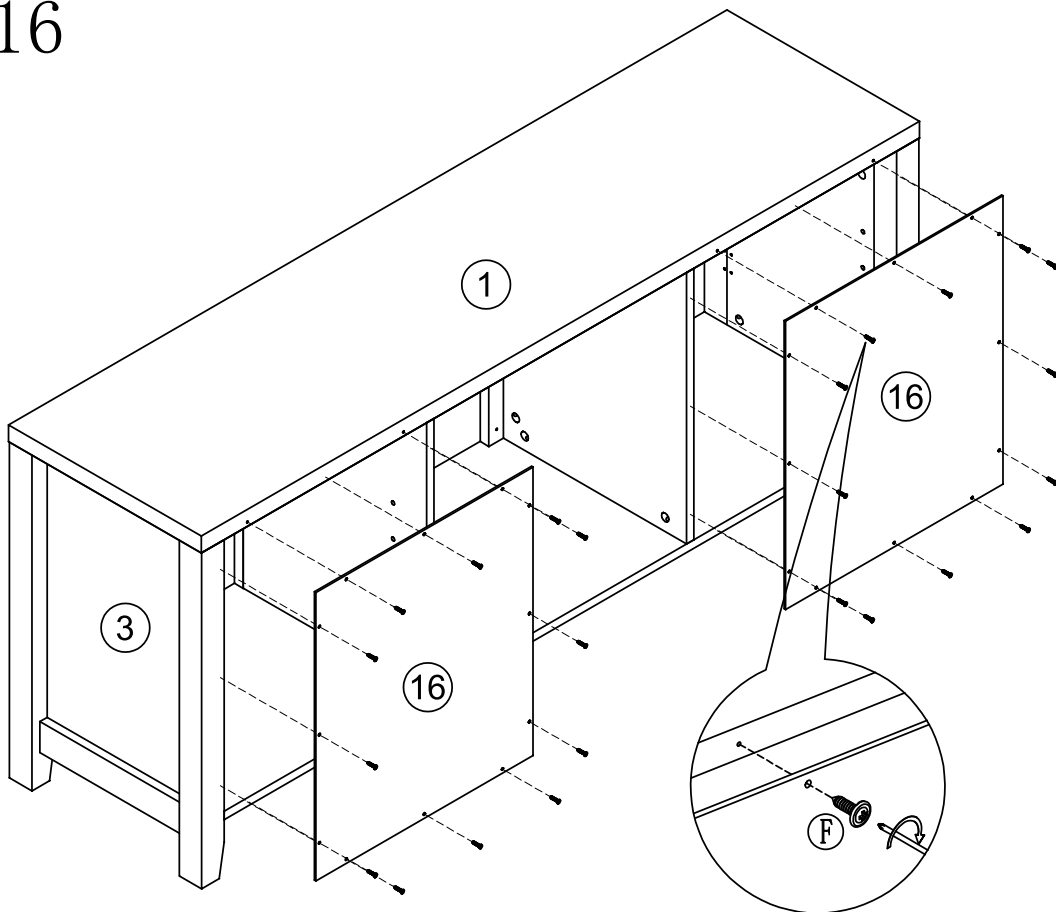
Step 15

C		8
---	---	---

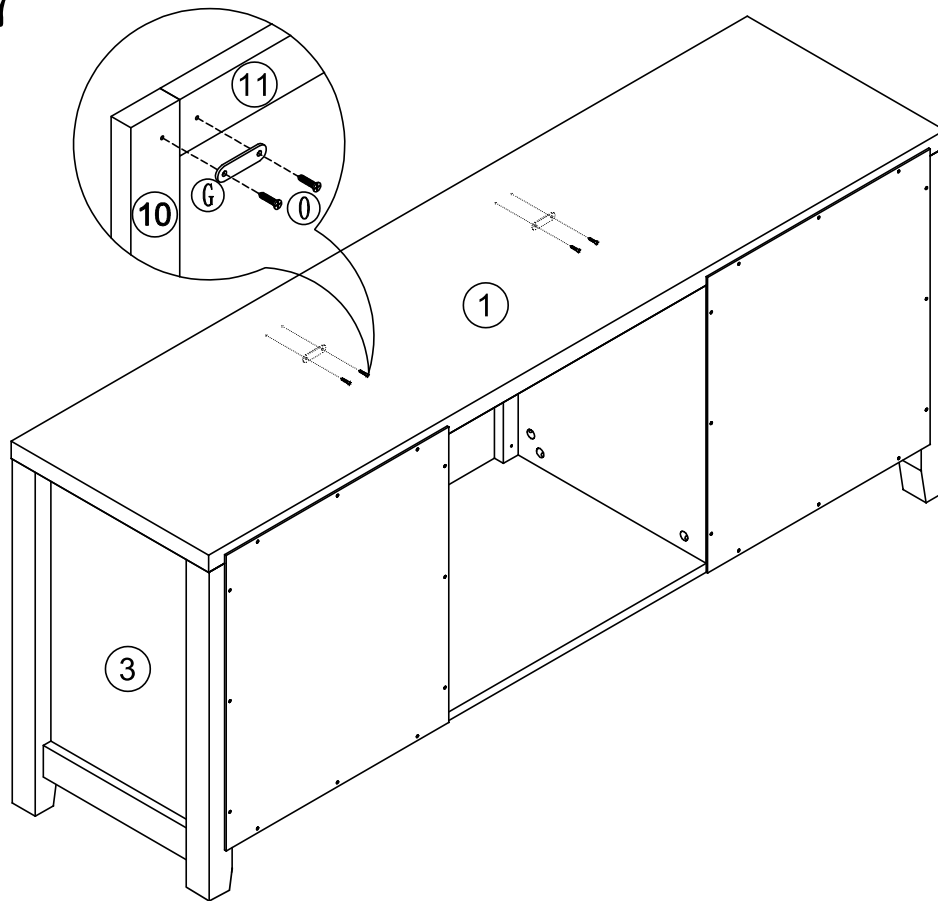




Step 16

F		24
---	---	----

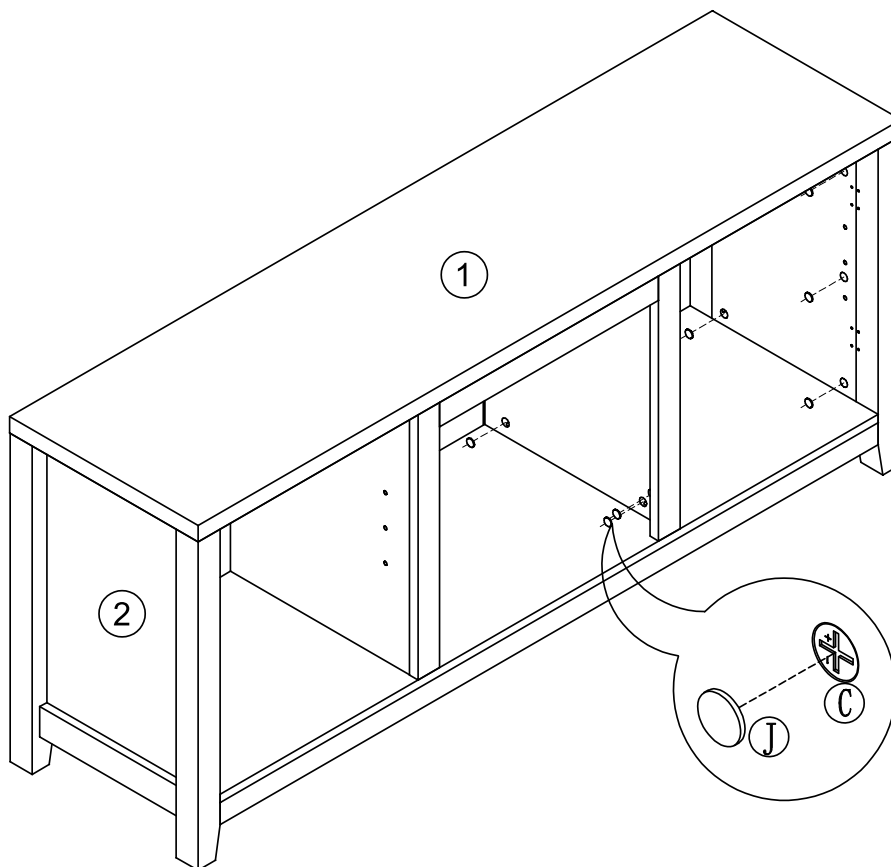



Step 17




G		2
O		4

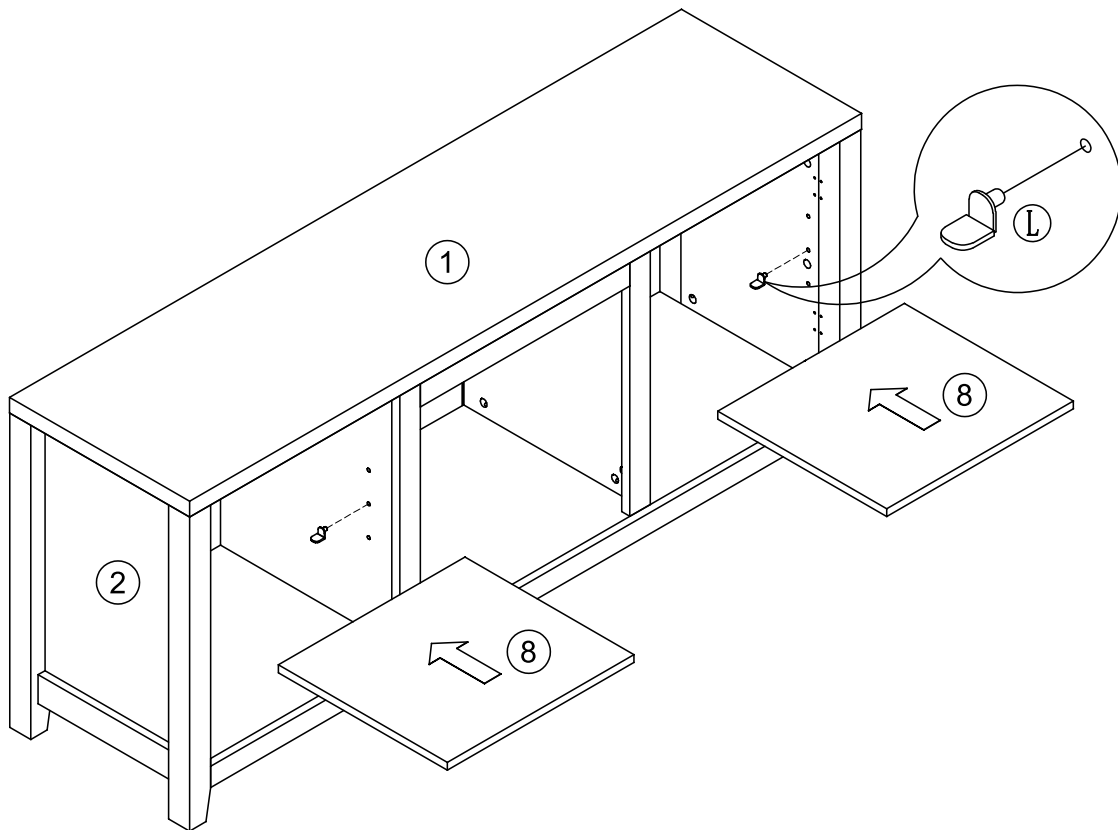
Step 18





J		30
---	---	----

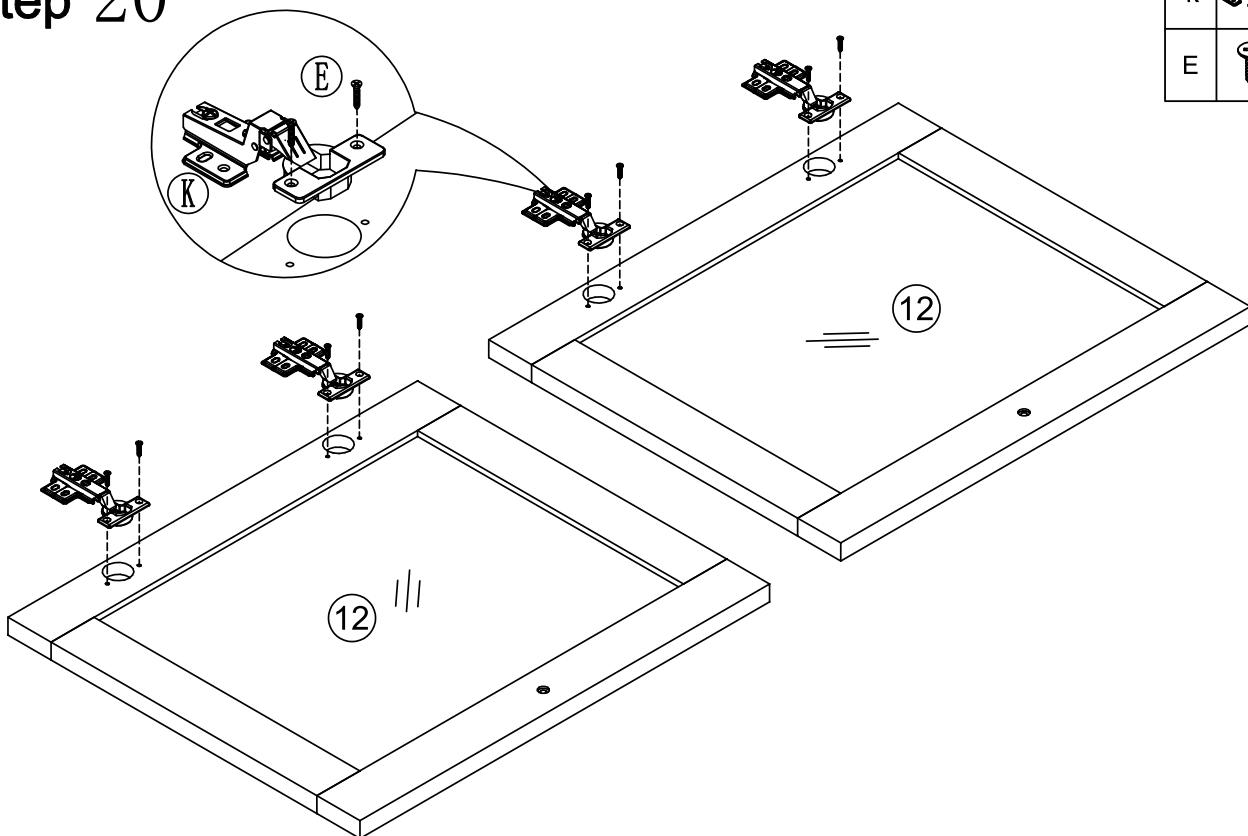
Step 19

L		8
---	---	---




Step 20

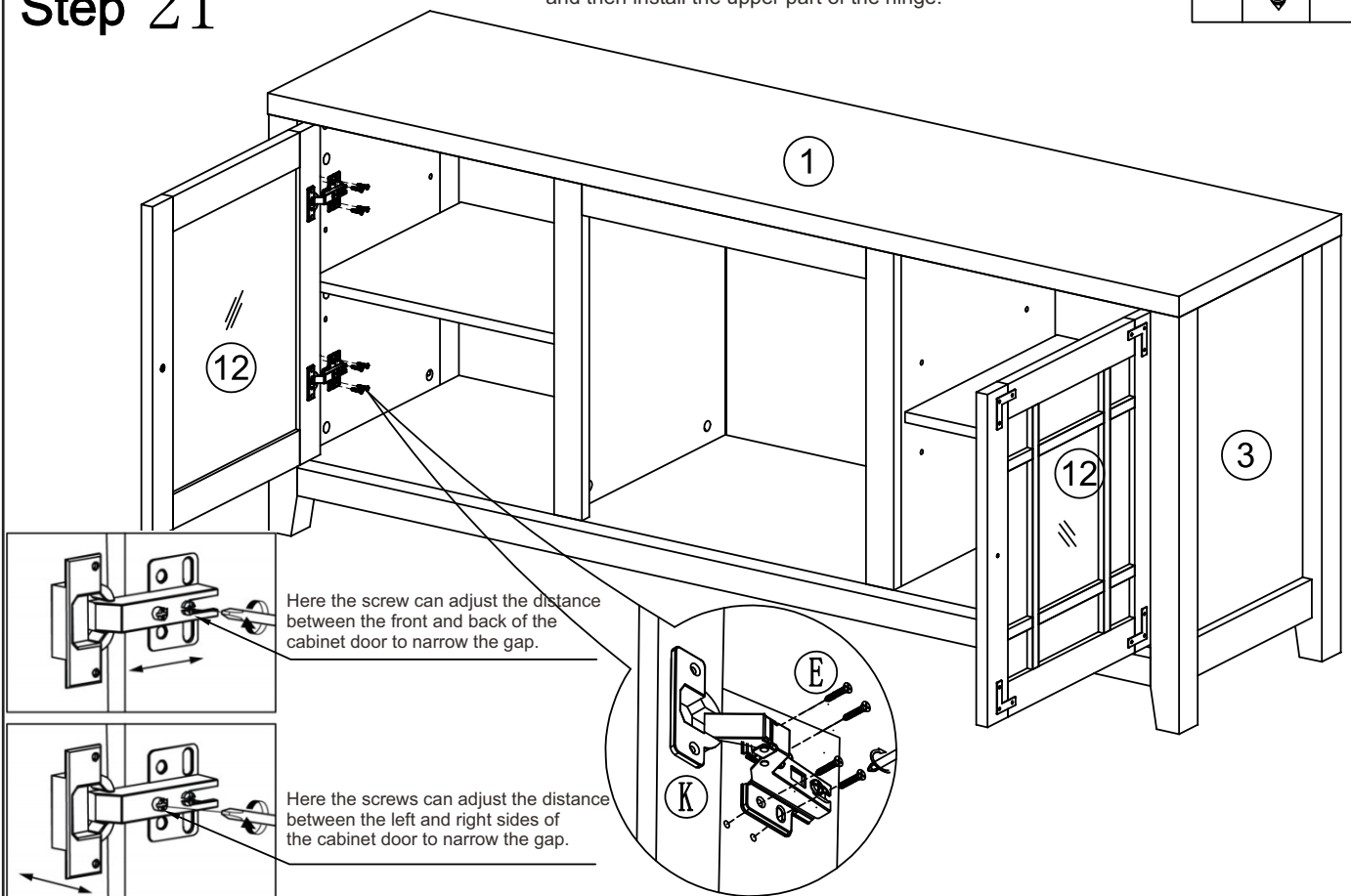
K		4
E		8



Step 21

Note: When installing the cabinet door, install the bottom hinge first, and then install the upper part of the hinge.



E		16
---	---	----

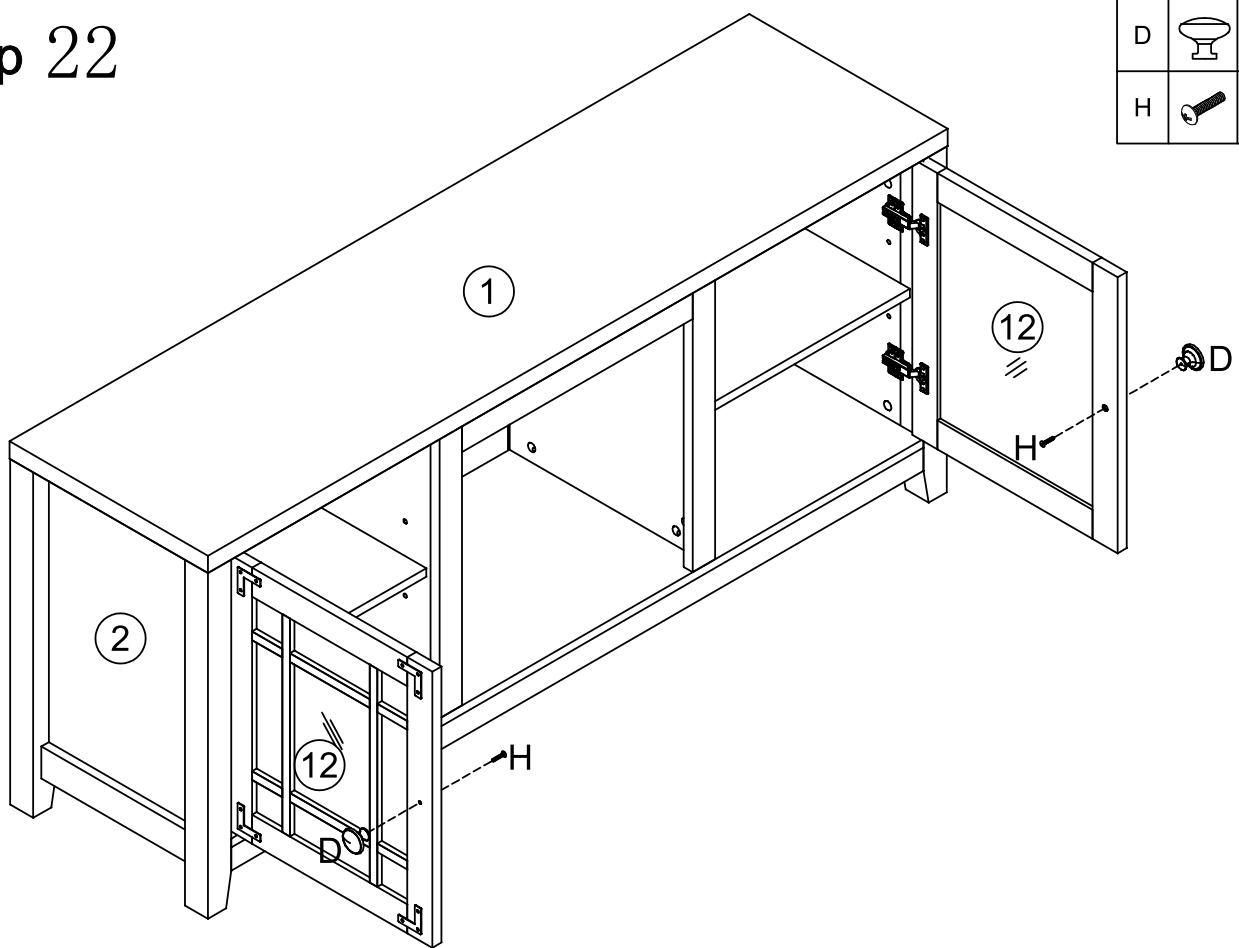


Here the screw can adjust the distance between the front and back of the cabinet door to narrow the gap.

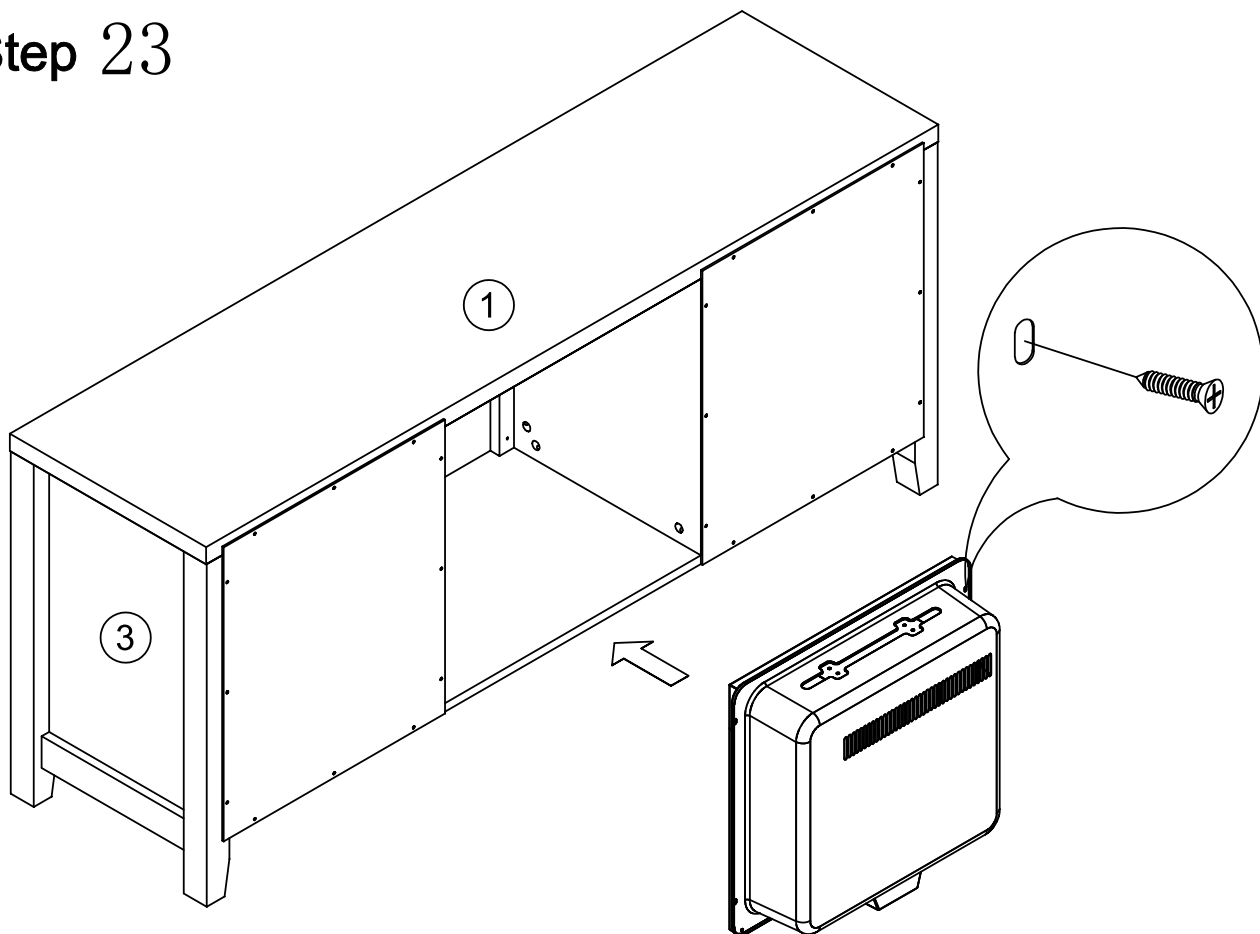
Here the screws can adjust the distance between the left and right sides of the cabinet door to narrow the gap.

Step 22

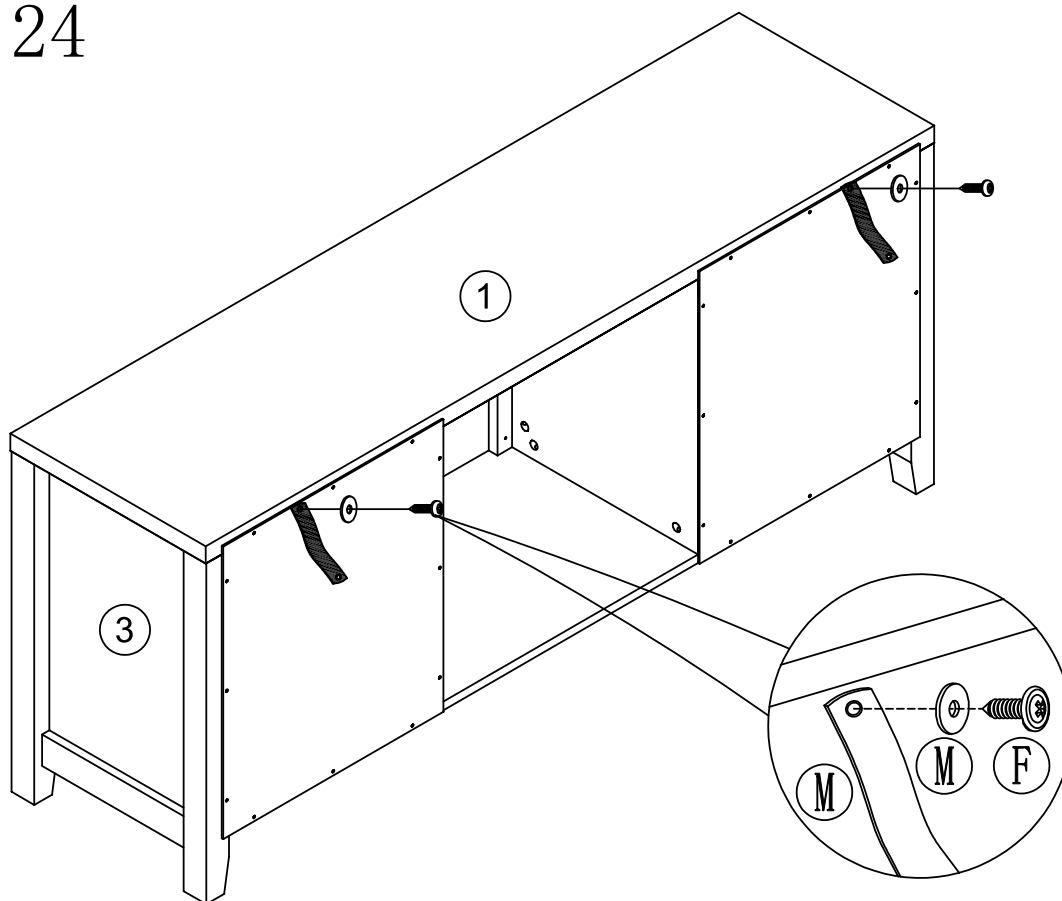
D		2
H		2



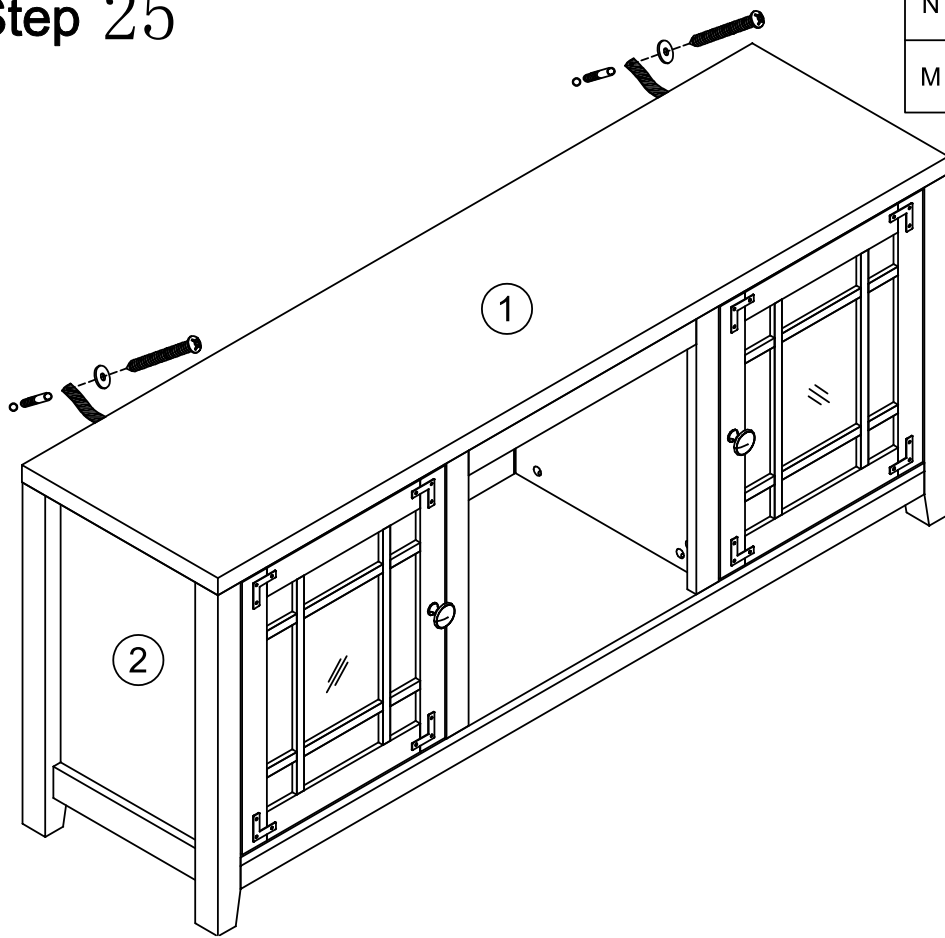
Step 23



Step 24



Step 25



N		2
M		2

